

VIESMANN

Parts Catalog

- Residential and Commercial Boilers
- Wall-mount Boilers
- Domestic Hot Water Tanks
- Solar Systems
- System Technology

Contents

as at July 1, 2012

01 Vitola	VB2	11/2000 -		1
	VBC	1997 - 2000		
	VNE	1993 - 1996		
	BEA	1988 - 1995		
	BE	1986 - 1988		
	13516	1981 - 1985		
02 Viessmann Burner	VGA	4/2004 -		
	Vito-VG	10/2001 -		
	VG	6/1997 - 9/2001		
	VEM	8/2003 -		
	Vito-VEC	10/2001 - 7/2003		
	VEC	6/1997 - 9/2001		
03 Riello Burner	for VB2			
04 Vitorond 100	VR1	8/2004 -		
Vitorond 200	VR2	11/2000 - 6/2009		
05 Riello Burner	for VR2			
06 Vitogas 050	ECD / ECDS	11/2000 -		2
07 Vitogas 050	ECV	11/2000 -		
08 Vitocrossal 200	CM2	6/2012 -		
Vitogas 050	RS	11/2000 -		
Atola-RS	RS	6/1989 - 9/2000		
09 Vitogas 100	GS1	7/2001 - 6/2009		
	GS10	1/2002 -		
Atola-RN	RN	6/1997 - 9/2001		
10 Vitodens 100	WB1B	6/2009 -		
	WB1A	1/2007 - 6/2009		
Vitodens 200	WB2B	6/2009 -		
	WB2A	6/2002 - 6/2009		
Installation Fittings	WB2A	6/2002 - 6/2009		
11 Vitotronic 100		11/2000 -	Residential Boiler and System Controls	3
12 Vitotronic 200/300		11/2000 -		
13 Vitotronic 050/200 HK1M		6/2006 -		
Dekamatik-HK1		6/1997 - 6/2006		
Comfortrol		6/2002 - 6/2009		
KM-BUS Module				
Vitocontrol-S WB2	WB2A	6/2002 - 6/2009		
	WB2B	6/2009 -		
14 Vitocell 050	NCVA	6/2012 -	Domestic Hot Water Storage Tanks	4
	NCVB	6/2012 -		
Vitocell-H 100	CHA	11/2000 -		
15 Vitocell-V 100	CVA	11/2000 -		
Vitocell-B 100	CVB	11/2007 -		
16 Vitocell-H 300	EHA	6/2000 -		
HoriCell-HG	HC-HG	1988 - 1992		
HoriCell-HG1	HC-HG1	3/1992 - 8/1998		
HoriCell-NT	HC-NT	1985 - 1991		
17 Vitocell-V 300	EVI	6/2000 -		
Vitocell-B 300	EVB	11/2007 -		
VertiCell-HG	VC-HG	1988 - 1992		
VertiCell-HG1	VC-HG1	3/1992 - 8/1998		
VertiCell-NT	VC-NT	1985 - 1991		
18 Support Bars				

continued on following page

Contents

as at July 1, 2012

19	Divicon		1997 -	Mixing Valves	5
20	Mixing Valves		1989 -		
	Mixing Valve Actuators		1/2000 -		
	Wall Vent Systems		1993 -		
21	Vitosol 100-F		5/2004 -	Solar Products	6
	Vitosol 200-T		7/2009 -		
	Vitosol 300-T		6/2000 -		
	Solartrrol-M		6/2000 - 6/2005		
	Solar Divicon		6/2000 -		
22	Vitorond 200	VD2A	6/2008 -	Commercial Cast-Iron Boilers	7
	Vitorond 200	VD2	6/2004 - 6/2008		
	Rondomat	RK4, RL4	6/1996 - 6/2004		
	Boiler Flow Packages		6/1996 - 6/2008		
23	Vitorond 200	VD2	7/2003 -		7
	Rondomat	RL5	6/1996 -		
	Boiler Flow Packages		6/1996 -		
	Rondomat Drawtool Kit				
24	Vertomat	VSB	6/1997 - 6/2005	Commercial Condensing Boilers	8
25	Vitocrossal 300	CT3	6/2005 -		
	Vertomat	VSB	6/1997 - 6/2005		
26	Auxiliary Equipment		6/1997 -	Commercial Accessories	9
27	Vitotronic 100 GC1		8/2005 -	Commercial Boiler and System Controls	
	Vitotronic 300 GW2		8/2005 -		
	Vitotronic 300-K		8/2007 -		
	Vitotronic 333 MW1		8/2005 - 8/2007		
	Vitotronic 200-H		9/2007 -		
	KR Boiler Control		1/2000 - 12/2005		
28	Weishaupt Burners		1992 -	Commercial Burners	
29	Riello Burners		2005 -		
31	Contact Information				

How this Parts Catalog is organized ...

- The complete Viessmann product offering is contained in this booklet.
- Product-specific literature contains detailed technical information. Contact Viessmann for copies.
- Price categories for service parts are found in Appendix 5 of your most current Viessmann Price List.



WARNING

The installation, adjustment, service, and maintenance of Viessmann heating equipment must be done by a licensed professional heating contractor who is qualified and experienced in the installation, service, and maintenance of hot water boilers. There are no user serviceable parts on the boiler, burners, or control.

Pricing and technical information subject to change without notice. Some product may not be exactly as illustrated. Viessmann reserves the right to correct errors in printed diagrams and/or order numbers.

Contact your local distributor or Viessmann sales office for pricing and your discount.

Viessmann Manufacturing Company Inc.

750 McMurray Road
Waterloo, Ontario, N2V 2G5, Canada
Tel.: (519) 885-6300
Fax: (519) 885-5318

Viessmann Manufacturing Company (U.S.) Inc.

45 Access Road
Warwick, Rhode Island, 02886, U.S.A.
Tel.: (401) 732-0667
Fax: (401) 732-0590

VITOLA 200

Vitola 200	VB2-18	VB2-22	VB2-33	VB2-40	VB2-50	VB2-63	
------------	--------	--------	--------	--------	--------	--------	--

General Info	Price List Section:						1.1	
	Parts Catalog Section						10	(2000 -)
	Current Series:						VB2	
	Accurate as of:						07/01/2012	

Shipping Overview							
Level 0	Price List	VB20849	VB20850	VB20852	VB20853	VB20854	VB20855
Level 1	PrVssl	7242 336	7242 337	7242 339	7242 340	7242 341	7242 342
	Jkt	7133 000	7133 001	7133 003	7133 004	7133 005	7133 006
	Inst Fittings	7133 493	7133 493	7133 494	7133 495	7133 496	7133 496
	Sfty Header	7133 199	7133 199	7133 199	7133 199	7133 199	7133 199

Vitola 200	VB2-18	VB2-22	VB2-33	VB2-40
General Info	Price List Section: 1.1			
	Parts Catalog Section: 01			
	Series Name: VB2 (2000 -)			
	Applies to serials nos. beginning with:	7242336...	7242337...	7242339... 7242340...
	Accurate as of:	07/01/2012		

Parts List

Please refer to: Parts List
Pos. Description

Part Numbers / Price Categories

Pos.	Description	7133 000 ^{n.a.}	7133 001 ^{n.a.}	7133 003 ^{n.a.}	7133 004 ^{n.a.}
001	Insul. Jacket	7133 000 ^{n.a.}	7133 001 ^{n.a.}	7133 003 ^{n.a.}	7133 004 ^{n.a.}
002	Top Panel	7823 131 ²⁶	7823 132 ²⁷	7823 134 ²⁷	7823 135 ²⁷
003	Front Panel	7823 138 ⁴¹	7823 464 ²¹	7823 139 ³⁰	7333 720 ²²
004	Rear Panel	7834 354 ²⁷	7834 355 ²⁸	7334 497 ¹²	7829 443 ²⁸
005	Side Panel (Left/Right)	7823 118 ²⁴	7823 119 ²⁴	7829 421 ²⁵	5335 599 ¹⁴
006	Insulation Blkt, Rear	7817 411 ⁹	7817 412 ⁹	7817 413 ¹¹	7824 224 ¹⁰
007	Insulation Blkt, Front	7817 414 ¹⁰	7817 415 ¹⁰	7817 416 ¹¹	5335 615 ¹⁰
008	Insulation Blkt	7817 421 ¹⁴	7817 428 ¹⁶	5330 541 ¹⁸	5330 679 ¹⁹
009	Strain Relief (2-Channel)	7818 493 ⁴	7818 493 ⁴	7818 493 ⁴	7818 493 ⁴
010	Strain Relief (8-Channel)	7818 280 ⁵	7818 280 ⁵	7818 280 ⁵	7818 280 ⁵
011	Cover, Round Access	7819 532 ⁴	7819 532 ⁴	7819 532 ⁴	7819 532 ⁴
012	Comb. Chamber Door	7834 528 ³⁸	7834 529 ³⁹	7834 530 ³⁹	7834 531 ³⁹
013	Packing Seal, 12x16x Xmm	7820 851 ⁸	7820 301 ¹⁰	7820 301 ¹⁰	7820 301 ¹⁰
014 ^{*1} W	Comb.Chbr.Dr.Refr.	7819 178 ¹³	7819 179 ¹⁴	7819 180 ¹⁴	7819 181 ¹⁵
015	Mounting Bracket, Rear VB2	7817 418 ¹⁵	7817 418 ¹⁵	7817 418 ¹⁵	7817 418 ¹⁵
016	Mounting Bracket, Front VB2	7817 417 ¹⁵	7817 417 ¹⁵	7817 417 ¹⁵	7817 417 ¹⁵
017	Cover, Edgemolding	7819 438 ⁴	7819 438 ⁴	7819 438 ⁴	7819 438 ⁴
018 ^{*2} W	Comb.Chbr.Refr.	n.a. ^{n.a.}	n.a. ^{n.a.}	n.a. ^{n.a.}	n.a. ^{n.a.}
019 ^{*3}	Flue Gas Collector	7819 235 ¹⁸	7819 236 ¹⁹	7819 237 ²⁰	7819 176 ²²
020 ^{*2} W	Comb. Chamber Insert w Refr	7819 199 ²⁸	7819 200 ³⁰	7819 202 ³⁴	7819 203 ³⁶
021	Boiler Shell	7242 336 ^{n.a.}	7242 337 ^{n.a.}	7242 339 ^{n.a.}	7242 340 ^{n.a.}
025	Cleaning Brush Handle 800mm, M10	7815 076 ⁷	7815 076 ⁷	7818 323 ⁷	7818 323 ⁷
032	Observ. Port Cover	7819 163 ⁴	7819 163 ⁴	7819 163 ⁴	7819 163 ⁴
033	Packing Seal, 3x116mm	7314 413 ⁴	7314 413 ⁴	7314 413 ⁴	7314 413 ⁴
034	Door Pin	7819 223 ⁴	7819 223 ⁴	7819 223 ⁴	7819 162 ⁴
036	Cleaning Brush Head, M10	7223 866 ⁸	7223 866 ⁸	7223 866 ⁸	7223 866 ⁸
026	Access. Pack (Sm. Parts)	7179 358 ⁹	7179 358 ⁹	7179 358 ⁹	7179 358 ⁹
028	Touch-UP Spray Paint Vitotec SIL	7819 545 ⁹	7819 545 ⁹	7819 545 ⁹	7819 545 ⁹
029	Touch-UP Paint Stk Vitotec SIL	7819 546 ⁵	7819 546 ⁵	7819 546 ⁵	7819 546 ⁵
030	Install. Instr. Vitola 200	5167 404 ^L	5167 404 ^L	5167 404 ^L	5167 404 ^L
031	Start-Up/Instal. Instr. Vitola 200	5167 405 ^L	5167 405 ^L	5167 405 ^L	5167 405 ^L

Notes:

- *1 IMPORTANT: Please ensure combustion chamber door refractory is sold with 7303 945 adhesive.
- *2 IMPORTANT: Combustion chamber refractory is shipped preinstalled on combustion chamber insert only.
- *3 IMPORTANT: Please ensure flue gas collector is sold with 9504 769 sealant.

"n.a." indicates not applicable.

"W" indicates wearing part (service).

"L" indicates literature (no charge).

"Kit" or "Other" indicates that this is not a Price Category item; contact Inside Sales for pricing.

VITOLA 200

Vitola 200	VB2-50	VB2-63	
General Info	Price List Section:	1.1	
	Parts Catalog Section:	01	
	Series Name:	VB2	(2000 -)
	Applies to serials nos. beginning with:	7242341... 7242342...	
	Accurate as of:	07/01/2012	

Parts List

Please refer to: Parts List

Pos. Description Part Numbers / Price Categories

001	Insul. Jacket	7133 005 ^{n.a.}	7133 006 ^{n.a.}
002	Top Panel	7823 136 ²⁷	7823 137 ²⁷
003	Front Panel	7829 429 ³³	7829 429 ³³
004	Rear Panel	7829 444 ²⁹	7829 444 ²⁹
005	Side Panel (Left/Right)	7824 229 ²¹	7824 230 ²¹
006	Insulation Blkt, Rear	5335 611 ¹¹	5335 611 ¹¹
007	Insulation Blkt, Front	5335 616 ¹¹	5335 616 ¹¹
008	Insulation Blkt	5330 768 ²⁰	5330 774 ²¹
009	Strain Relief (2-Channel)	7818 493 ⁴	7818 493 ⁴
010	Strain Relief (8-Channel)	7818 280 ⁵	7818 280 ⁵
011	Cover, Round Access	7819 532 ⁴	7819 532 ⁴
012	Comb. Chamber Door	7834 532 ³⁹	7834 532 ³⁹
013	Packing Seal, 12x16x Xmm	7820 301 ¹⁰	7820 301 ¹⁰
014 ^{*1} W	Comb.Chbr.Dr.Refr.	7818 029 ¹⁵	7818 029 ¹⁵
015	Mounting Bracket, Rear VB2	7817 418 ¹⁵	7817 418 ¹⁵
016	Mounting Bracket, Front VB2	7817 417 ¹⁵	7817 417 ¹⁵
017	Cover, Edgemolding	7819 438 ⁴	7819 438 ⁴
018 ^{*2} W	Comb.Chbr.Refr.	n.a. ^{n.a.}	n.a. ^{n.a.}
019 ^{*3}	Flue Gas Collector	7819 177 ²³	7819 177 ²³
020 ^{*2} W	Comb. Chamber Insert w Refr	7819 204 ⁴¹	7819 205 ⁴²
021	Boiler Shell	7242 341 ^{n.a.}	7242 342 ^{n.a.}
025	Cleaning Brush Handle 800mm, M10	7818 323 ⁷	7815 142 ⁷
032	Observ. Port Cover	7819 163 ⁴	7819 163 ⁴
033	Packing Seal, 3x116mm	7314 413 ⁴	7314 413 ⁴
034	Door Pin	7819 162 ⁴	7819 162 ⁴
036	Cleaning Brush Head, M10	7223 866 ⁸	7223 866 ⁸
026	Access. Pack (Sm. Parts)	7179 358 ⁹	7179 358 ⁹
028	Touch-UP Spray Paint Vitotec SIL	7819 545 ⁹	7819 545 ⁹
029	Touch-UP Paint Stk Vitotec SIL	7819 546 ⁵	7819 546 ⁵
030	Install. Instr. Vitola 200	5167 404 ^L	5167 404 ^L
031	Start-Up/Instal. Instr. Vitola 200	5167 405 ^L	5167 405 ^L

Notes:

- *1 IMPORTANT: Please ensure combustion chamber door refractory is sold with 7303 945 adhesive.
- *2 IMPORTANT: Combustion chamber refractory is shipped preinstalled on combustion chamber insert only.
- *3 IMPORTANT: Please ensure flue gas collector is sold with 9504 769 sealant.

"n.a." indicates not applicable.

"W" indicates wearing part (service).

"L" indicates literature (no charge).

"Kit" or "Other" indicates that this is not a Price Category item;

Parts List

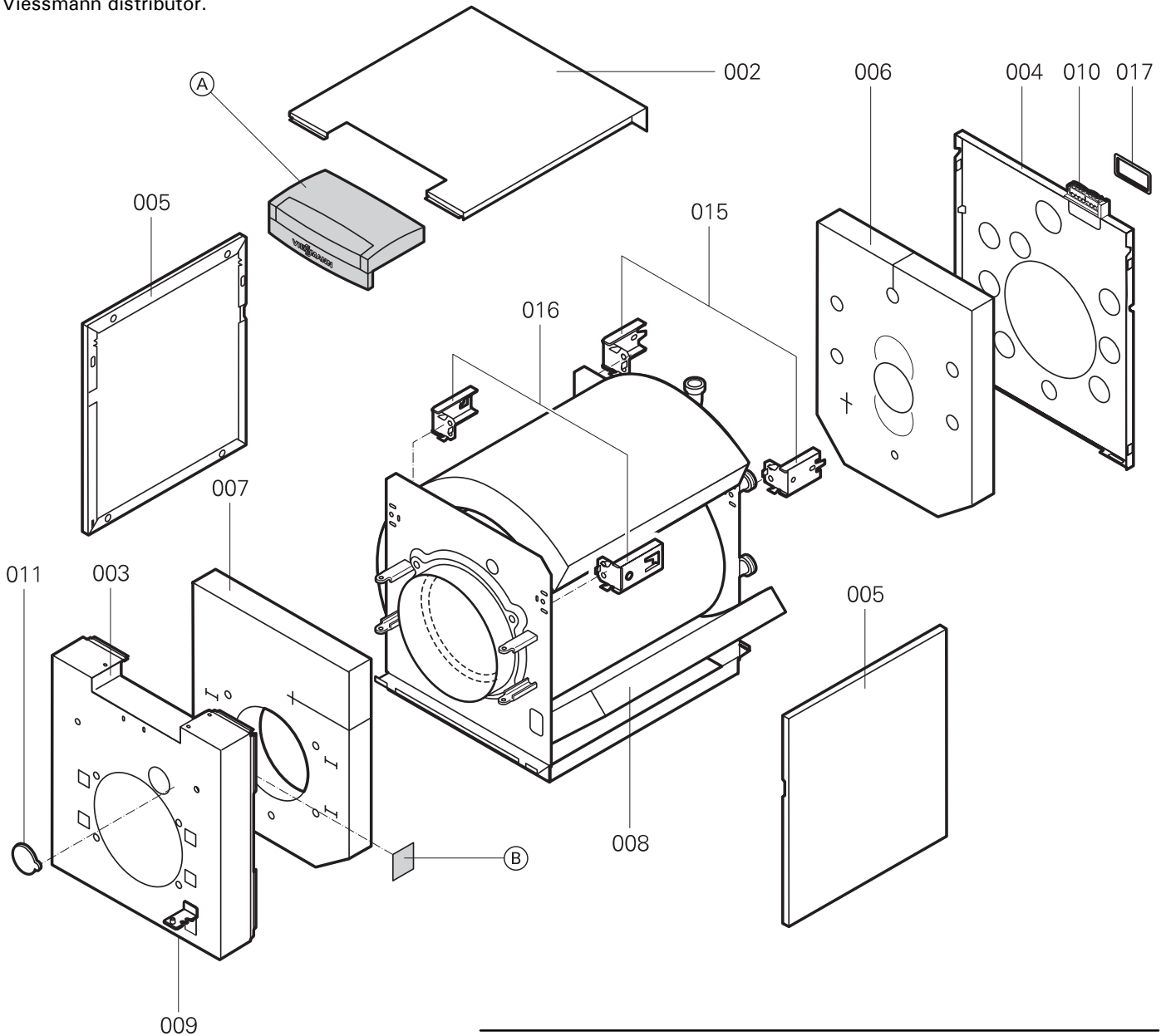


VITOLA 200 VB2 Series

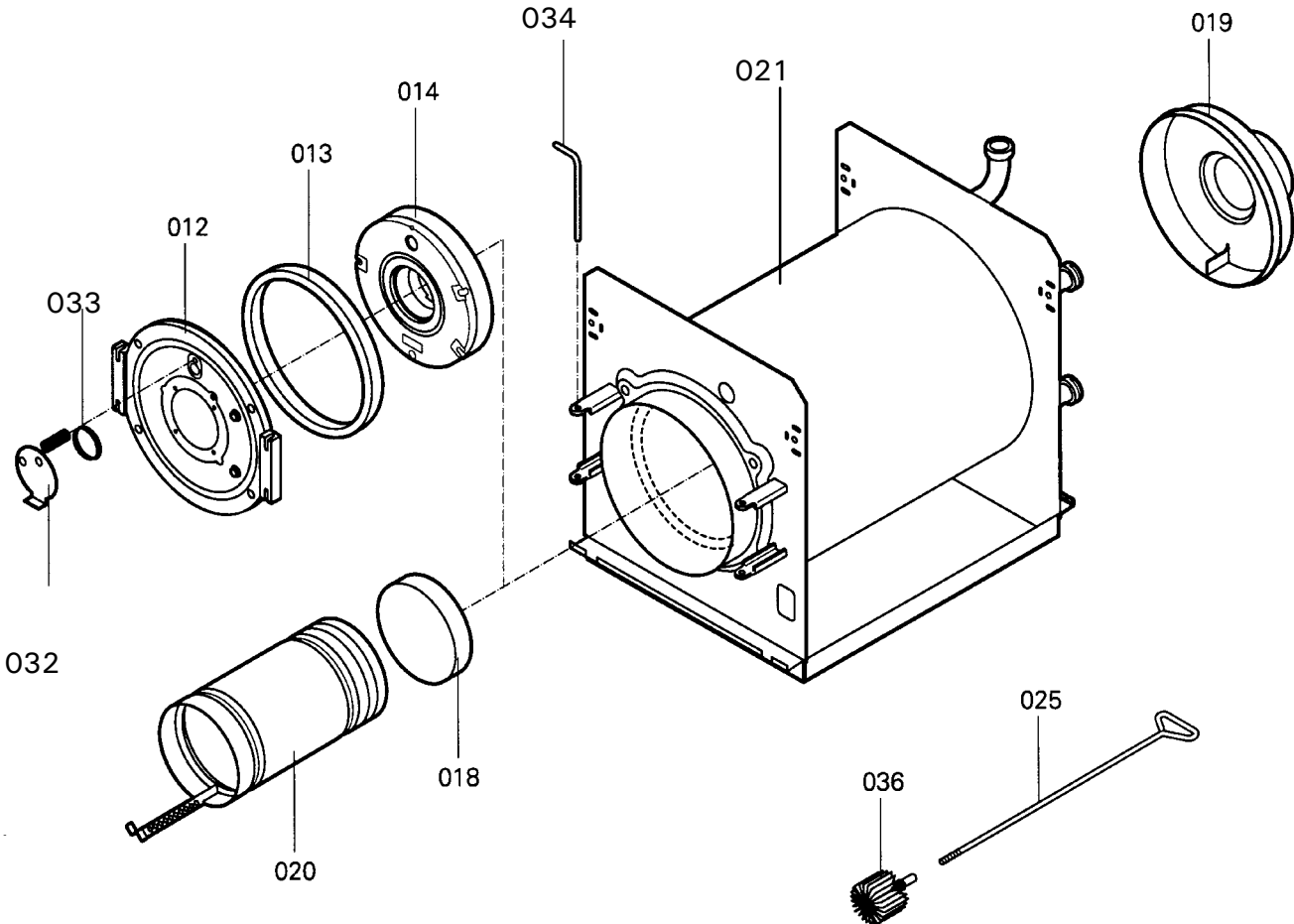
Model No.	Serial No.
VB2-18	7242336□□□□□□□□□□
VB2-22	7242337□□□□□□□□□□
VB2-33	7242339□□□□□□□□□□
VB2-40	7242340□□□□□□□□□□
VB2-50	7242341□□□□□□□□□□
VB2-63	7242342□□□□□□□□□□

Ordering Replacement Parts:
Please provide boiler Model and Serial Number from rating plate when ordering replacement parts. Order replacement components from your Viessmann distributor.

Please file in Service Binder



VITOLA 200
VB2 Series



Vitola-biferral	VBC-18	VBC-22	VBC-33	VBC-40
-----------------	--------	--------	--------	--------

General Info Price List Section:
 Parts Catalog Section: 01
 Series Name: Vitola-biferral VBC (1997 - 2000)
 Applies to serials nos. beginning with: 7516978... 7516979... 7516981... 7516982...
 Accurate as of: 07/01/2012

Parts List

Please refer to: Parts List
 Pos. Description

Part Numbers / Price Categories

002 a	Top Panel, Rear	5330 569 ¹³	5330 579 ¹⁴	5330 580 ¹⁵	5330 686 ¹⁵
002 b	Top Panel, Front	7238 465 ¹⁴	7238 471 ¹⁵	7238 471 ¹⁵	7238 585 ¹⁶
003		n.a. ^{n.a.}	n.a. ^{n.a.}	n.a. ^{n.a.}	n.a. ^{n.a.}
004	Front Panel	7332 161 ¹⁴	7332 163 ¹⁵	7332 163 ¹⁵	7332 164 ¹⁶
005	Insulation Blkt, Front	5333 952 ⁹	5333 954 ¹⁰	5333 954 ¹⁰	5333 955 ¹⁰
006	Insulation Blkt, Rear	5333 710 ⁹	5333 712 ¹⁰	5333 712 ¹⁰	5333 713 ¹⁰
009	Insulation Blkt	5330 229 ¹⁴	7817 428 ¹⁶	5330 541 ¹⁸	5330 679 ¹⁹
010	Rear Panel	7332 166 ¹⁵	7332 168 ¹⁶	7332 168 ¹⁶	7332 169 ¹⁶
011	Side Panel (Left/Right)	7333 101 ¹⁶	7333 102 ¹⁶	7333 104 ¹⁷	7333 105 ¹⁸
012		n.a. ^{n.a.}	n.a. ^{n.a.}	n.a. ^{n.a.}	n.a. ^{n.a.}
013		n.a. ^{n.a.}	n.a. ^{n.a.}	n.a. ^{n.a.}	n.a. ^{n.a.}
014	Cover, Round Access	5130 758 ^D	5130 758 ^D	5130 758 ^D	5130 758 ^D
015	Extension Bolt	5330 289 ^D	5330 289 ^D	5330 289 ^D	5330 289 ^D
017	Cover, Edgemolding	7810 891 ³	7810 891 ³	7810 891 ³	7810 891 ³
027	Access. Pack (Sm. Parts)	7332 275 ^D	7332 275 ^D	7332 275 ^D	7332 275 ^D
030	Comb. Chamber Door	7834 528 ³⁸	7834 529 ³⁹	7834 530 ³⁹	7818 019 ^D
032	Packing Seal, 12x16x970mm	7820 851 ⁸	7820 301 ¹⁰	7820 301 ¹⁰	7820 301 ¹⁰
035 ^{*1} W	Comb.Chbr.Dr.Refr.	7819 178 ¹³	7819 180 ¹⁴	7819 180 ¹⁴	7819 181 ¹⁵
038	Observ. Port Cover	7819 163 ⁴	7819 163 ⁴	7819 163 ⁴	7819 163 ⁴
039	Packing Seal	7086 610 ^D	7086 610 ^D	7086 610 ^D	7086 610 ^D
041 ^{*3}	Comb.Chbr.Refr.	n.a. ^{n.a.}	n.a. ^{n.a.}	n.a. ^{n.a.}	n.a. ^{n.a.}
043	Door Pin	7819 223 ⁴	7819 223 ⁴	7819 223 ⁴	7819 162 ⁴
081		n.a. ^{n.a.}	n.a. ^{n.a.}	n.a. ^{n.a.}	n.a. ^{n.a.}
082		n.a. ^{n.a.}	n.a. ^{n.a.}	n.a. ^{n.a.}	n.a. ^{n.a.}
083		n.a. ^{n.a.}	n.a. ^{n.a.}	n.a. ^{n.a.}	n.a. ^{n.a.}
084 ^{*3}	Comb. Chamber	7812 622 ²⁸	7812 623 ³⁰	7812 625 ³⁴	7812 626 ³⁶
085 ^{*2}	Flue Gas Collector	7819 235 ¹⁸	7819 237 ²⁰	7819 237 ²⁰	7819 176 ²²
096	Cleaning Brush Handle 800mm, M10	7815 076 ⁷	7815 076 ⁷	7818 323 ⁷	7818 323 ⁷
097	Cleaning Brush Head d = 120x100 M10	7223 866 ⁸	7223 866 ⁸	7223 866 ⁸	7223 866 ⁸
098	Touch-UP Spray Paint Classic ORG	9583 575 ⁹	9583 575 ⁹	9583 575 ⁹	9583 575 ⁹
099	Touch-UP Paint Stk Classic ORG	9588 907 ⁵	9588 907 ⁵	9588 907 ⁵	9588 907 ⁵
100	Touch-UP Spray Paint Classic GRY	9501 512 ⁹	9501 512 ⁹	9501 512 ⁹	9501 512 ⁹
101	Touch-UP Paint Stk Classic GRY	9501 515 ^D	9501 515 ^D	9501 515 ^D	9501 515 ^D
110	Adhesive, 100ml	9544 898 ⁸	9544 898 ⁸	9544 898 ⁸	9544 898 ⁸

Notes:

- *1 IMPORTANT: Please ensure combustion chamber door refractory is sold with 7303 945 adhesive.
- *2 IMPORTANT: Please ensure flue gas collector is sold with 9504 769 sealant.
- *3 IMPORTANT: Combustion chamber refractory is shipped preinstalled on combustion chamber insert only.

"n.a." indicates not applicable.
 "W" indicates wearing part (service).
 "L" indicates literature (no charge).

Vitola-biferral	VBC-50	VBC-63	
-----------------	--------	--------	--

General Info Price List Section:
 Parts Catalog Section: 01
 Series Name: Vitola-biferral VBC (1997 - 2000)
 Applies to serials nos. beginning with: 7516983... 7516984...
 Accurate as of: 07/01/2012

Parts List

Please refer to: Parts List
 Pos. Description

Part Numbers / Price Categories

002 a	Top Panel, Rear	5330 778 ¹⁵	5330 779 ¹⁵		
002 b	Top Panel, Front	7238 585 ¹⁶	7238 585 ¹⁶		
003		n.a. ^{n.a.}	n.a. ^{n.a.}		
004	Front Panel	7332 165 ¹⁷	7332 165 ¹⁷		
005	Insulation Blkt, Front	5333 956 ¹¹	5333 956 ¹¹		
006	Insulation Blkt, Rear	5333 714 ¹¹	5333 714 ¹¹		
009	Insulation Blkt	5330 768 ²⁰	5330 774 ²¹		
010	Rear Panel	7332 170 ¹⁷	7332 170 ¹⁷		
011	Side Panel (Left/Right)	7333 106 ¹⁸	7333 107 ¹⁹		
012		n.a. ^{n.a.}	n.a. ^{n.a.}		
013		n.a. ^{n.a.}	n.a. ^{n.a.}		
014	Cover, Round Access	5130 758 ^D	5130 758 ^D		
015	Extension Bolt	5330 289 ^D	5330 289 ^D		
017	Cover, Edgemolding	7810 891 ³	7810 891 ³		
027	Access. Pack (Sm. Parts)	7332 275 ^D	7332 275 ^D		
030	Comb. Chamber Door	7818 018 ^D	7818 018 ^D		
032	Packing Seal, 12x16x970mm	7820 301 ¹⁰	7820 301 ¹⁰		
035 ^{*1} W	Comb.Chbr.Dr.Refr.	7818 029 ¹⁵	7818 029 ¹⁵		
038	Observ. Port Cover	7819 163 ⁴	7819 163 ⁴		
039	Packing Seal	7086 610 ^D	7086 610 ^D		
041 ^{*3}	Comb.Chbr.Refr.	n.a. ^{n.a.}	n.a. ^{n.a.}		
043	Door Pin	7819 162 ⁴	7819 162 ⁴		
081		n.a. ^{n.a.}	n.a. ^{n.a.}		
082		n.a. ^{n.a.}	n.a. ^{n.a.}		
083		n.a. ^{n.a.}	n.a. ^{n.a.}		
084 ^{*3}	Comb. Chamber	7812 627 ⁴¹	7812 628 ⁴²		
085 ^{*2}	Flue Gas Collector	7819 177 ²³	7819 177 ²³		
096	Cleaning Brush Handle 800mm, M10	7818 323 ⁷	7815 142 ⁷		
097	Cleaning Brush Head d = 120x100 M10	7223 866 ⁸	7223 866 ⁸		
098	Touch-UP Spray Paint Classic ORG	9583 575 ⁹	9583 575 ⁹		
099	Touch-UP Paint Stk Classic ORG	9588 907 ⁵	9588 907 ⁵		
100	Touch-UP Spray Paint Classic GRY	9501 512 ⁹	9501 512 ⁹		
101	Touch-UP Paint Stk Classic GRY	9501 515 ^D	9501 515 ^D		
110	Adhesive, 100ml	9544 898 ⁸	9544 898 ⁸		

Notes:

- *1 IMPORTANT: Please ensure combustion chamber door refractory is sold with 7303 945 adhesive.
- *2 IMPORTANT: Please ensure flue gas collector is sold with 9504 769 sealant.
- *3 IMPORTANT: Combustion chamber refractory is shipped preinstalled on combustion chamber insert only.

"n.a." indicates not applicable.
 "W" indicates wearing part (service).
 "L" indicates literature (no charge).

Einzelteilliste

VIESSMANN

Vitola-biferral SystemUnit

Best.-Nr. VB015K1 bis VB022K1

Vitola-biferral

Best.-Nr. VB015 ... bis VB063

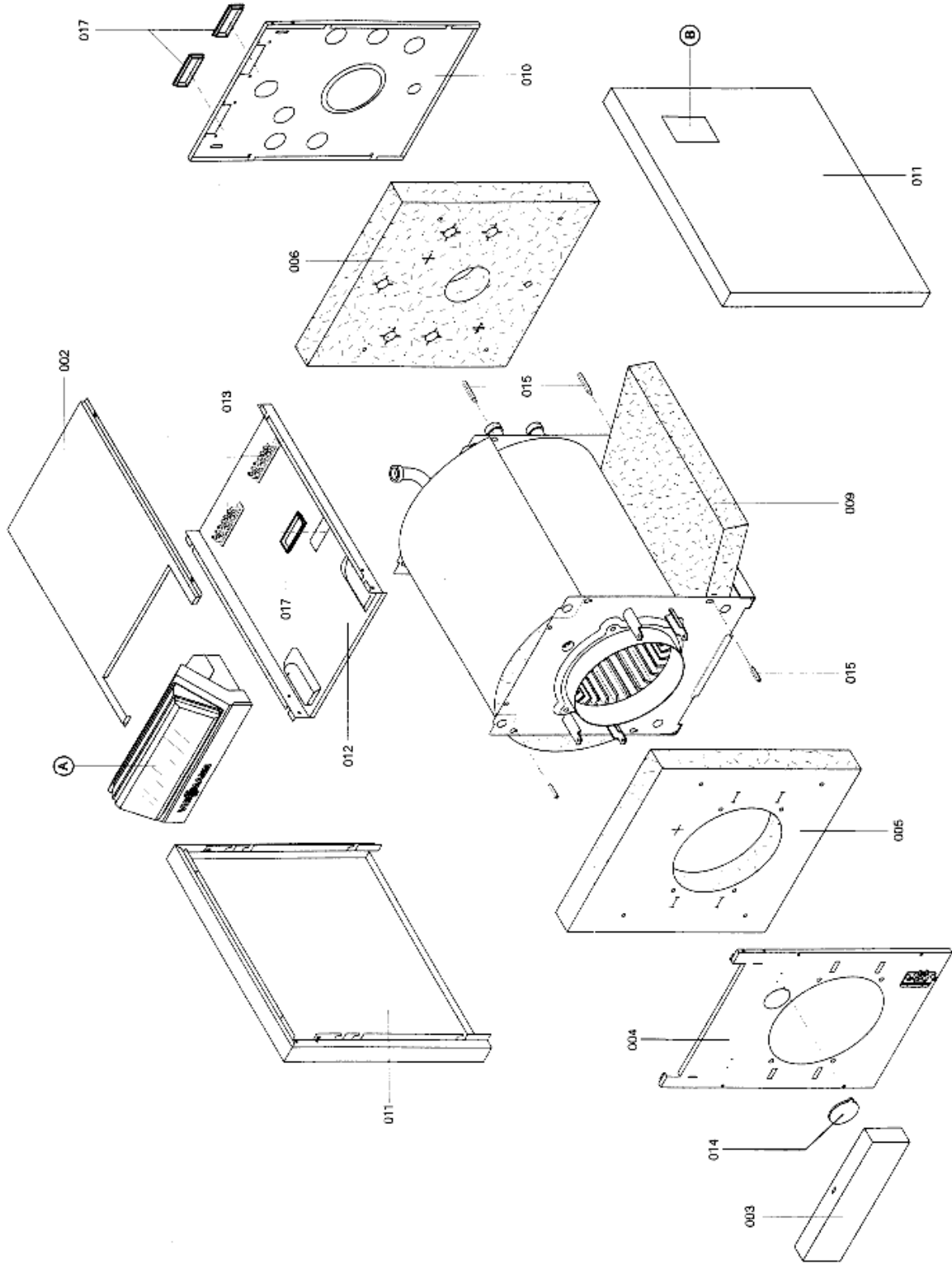
Vitola-biferral-FB

Best.-Nr. VF018 ... bis VF027

Hinweise für die Heizungsfachfirma!
Bei Ersatzbestellungen Best.-Nr. und Herstell.-Nr. (siehe Typenschild) angeben.

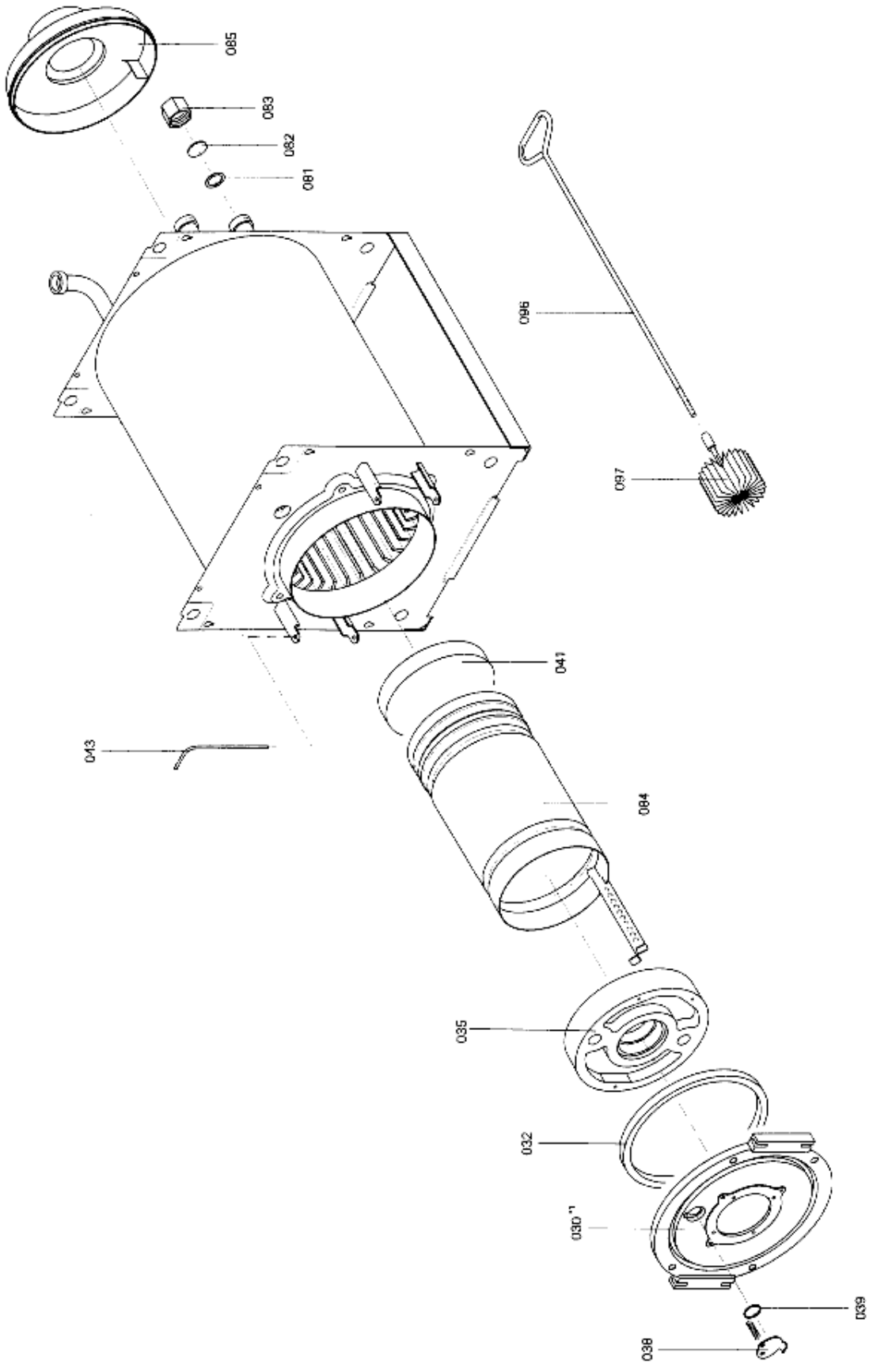
Handelsübliche Teile sind im örtlichen Fachhandel erhältlich.

Ablagehinweis: Servicemappe



- Ⓐ Kesselkreisreglung siehe separater Einzelteilliste
- Ⓑ Typenschild wahlweise rechts oder links

Fortsetzung siehe Rückseite



Vitola-biferral	VNE-18	VNE-27	VNE-33	VNE-40
-----------------	--------	--------	--------	--------

General Info Price List Section:
 Parts Catalog Section: 01
 Series Name: Vitola-biferral VNE (1993 - 1996)
 Applies to serials nos. beginning with: 7515800... 7515802... 7515803... 7515804...
 Accurate as of: 07/01/2012

Parts List

Please refer to: Parts List
 Pos. Description

Part Numbers / Price Categories

002	Top Panel, Rear	5330 569 ¹³	5330 579 ¹⁴	5330 580 ¹⁵	5330 686 ¹⁵
003	Top Panel, Front	7238 465 ¹⁴	7238 471 ¹⁵	7238 471 ¹⁵	7238 585 ¹⁶
004	Front Panel	7238 463 ¹⁴	7238 469 ¹⁵	7238 469 ¹⁵	7238 586 ¹⁷
005	Insulation Blkt, Front	5330 563 ⁹	5330 575 ¹¹	5330 575 ¹¹	5330 677 ¹²
006	Insulation Blkt, Rear	5330 564 ⁹	5330 576 ¹¹	5330 576 ¹¹	5330 678 ¹²
009	Insulation Blkt	5330 229 ¹⁴	5330 248 ^D	5330 541 ¹⁸	5330 679 ¹⁹
010	Rear Panel	7238 464 ¹⁶	7238 470 ¹⁷	7238 470 ¹⁷	7238 584 ¹⁸
011	Side Panel (Left/Right)	7333 101 ¹⁶	5330 573 ¹⁸	7333 104 ¹⁷	7333 105 ¹⁸
014	Cover, Round Access	5130 758 ^D	5130 758 ^D	5130 758 ^D	5130 758 ^D
015	Extension Bolt	5330 289 ^D	5330 289 ^D	5330 289 ^D	5330 289 ^D
016	Hex Hd Screw, M10x65	9023 295 ¹	9023 295 ¹	9023 295 ¹	9023 295 ¹
027	Access. Pack (Sm. Parts)	7238 371 ⁹	7238 371 ⁹	7238 371 ⁹	7238 371 ⁹
030	Comb. Chamber Door	7314 041 ³¹	7834 530 ³⁹	7834 530 ³⁹	7834 531 ³⁹
032	Packing Seal, 12x16x2000mm	7820 301 ¹⁰	7820 301 ¹⁰	7820 301 ¹⁰	7820 301 ¹⁰
035 ^{*1} W	Comb.Chbr.Dr.Refr.	7819 178 ¹³	7819 179 ¹⁴	7819 180 ¹⁴	7819 181 ¹⁵
038	Port Cover	7819 163 ⁴	7819 163 ⁴	7819 163 ⁴	7819 163 ⁴
039	Packing Seal	7086 610 ^D	7086 610 ^D	7086 610 ^D	7086 610 ^D
041 ^{*3}	Comb.Chbr.Refr.	n.a. ^{n.a.}	n.a. ^{n.a.}	n.a. ^{n.a.}	n.a. ^{n.a.}
042	Door Hinge	5141 632 ⁸	5141 632 ⁸	5141 632 ⁸	5141 633 ¹⁰
043	Door Pin	7819 223 ⁴	7819 223 ⁴	7819 223 ⁴	7819 162 ⁴
084 ^{*3}	Comb. Chamber	7812 622 ²⁸	7812 624 ³³	7812 625 ³⁴	7812 626 ³⁶
085 ^{*2}	Flue Gas Collector	7819 235 ¹⁸	5326 089 ²⁰	5326 089 ²⁰	7819 176 ²²
096	Cleaning Brush Handle 800mm, M10	7815 076 ⁷	7815 076 ⁷	7815 076 ⁷	7815 076 ⁷
097	Cleaning Brush Head d = 120x100 M10	7223 866 ⁸	7223 866 ⁸	7223 866 ⁸	7223 866 ⁸
098	Touch-UP Spray Paint Classic ORG	9583 575 ⁹	9583 575 ⁹	9583 575 ⁹	9583 575 ⁹
099	Touch-UP Paint Stk Classic ORG	9588 907 ⁵	9588 907 ⁵	9588 907 ⁵	9588 907 ⁵
110	Adhesive, 100ml	9544 898 ⁸	9544 898 ⁸	9544 898 ⁸	9544 898 ⁸

Notes:

- *1 IMPORTANT: Please ensure combustion chamber door refractory is sold with 7303 945 adhesive.
- *2 IMPORTANT: Please ensure flue gas collector is sold with 9504 769 sealant.
- *3 IMPORTANT: Combustion chamber refractory is shipped preinstalled on combustion chamber insert only.

"n.a." indicates not applicable.

"W" indicates wearing part (service).

"L" indicates literature (no charge).

"Kit" or "Other" indicates that this is not a Price Category item; contact Inside Sales for pricing.

"D" indicates discontinued.

Vitola-biferral	VNE-50	VNE-63	
-----------------	--------	--------	--

General Info	Price List Section:			
	Parts Catalog Section:	01		
	Series Name:	Vitola-biferral	VNE	(1993 - 1996)
	Applies to serials nos. beginning with:	7515805...	7515806...	
	Accurate as of:	07/01/2012		

Parts List

Please refer to: Parts List

Pos. Description Part Numbers / Price Categories

002	Top Panel, Rear	5330 778 ¹⁵	5330 779 ¹⁵		
003	Top Panel, Front	7238 585 ¹⁶	7238 585 ¹⁶		
004	Front Panel	7238 683 ¹⁸	7238 683 ¹⁸		
005	Insulation Blkt, Front	5330 766 ¹²	5330 766 ¹²		
006	Insulation Blkt, Rear	5330 767 ¹²	5330 767 ¹²		
009	Insulation Blkt	5330 768 ²⁰	5330 774 ²¹		
010	Rear Panel	7238 684 ¹⁸	7238 684 ¹⁸		
011	Side Panel (Left/Right)	7333 106 ¹⁸	5330 781 ¹⁹		
014	Cover, Round Access	5130 758 ^D	5130 758 ^D		
015	Extension Bolt	5330 289 ^D	5330 289 ^D		
016	Hex Hd Screw, M10x65	9023 295 ¹	9023 295 ¹		
027	Access. Pack (Sm. Parts)	7238 371 ⁹	7238 371 ⁹		
030	Comb. Chamber Door	7834 532 ³⁹	7834 532 ³⁹		
032	Packing Seal, 12x16x2000mm	7820 301 ¹⁰	7820 301 ¹⁰		
035 ^{*1} W	Comb.Chbr.Dr.Refr.	7818 029 ¹⁵	7818 029 ¹⁵		
038	Port Cover	7819 163 ⁴	7819 163 ⁴		
039	Packing Seal	7086 610 ^D	7086 610 ^D		
041 ^{*3}	Comb.Chbr.Refr.	n.a. ^{n.a.}	n.a. ^{n.a.}		
042	Door Hinge	5141 633 ¹⁰	5141 633 ¹⁰		
043	Door Pin	7819 162 ⁴	7819 162 ⁴		
084 ^{*3}	Comb. Chamber	7812 627 ⁴¹	7812 628 ⁴²		
085 ^{*2}	Flue Gas Collector	5326 091 ²³	5326 091 ²³		
096	Cleaning Brush Handle 800mm, M10	7815 076 ⁷	7815 076 ⁷		
097	Cleaning Brush Head d = 120x100 M10	7223 866 ⁸	7223 866 ⁸		
098	Touch-UP Spray Paint Classic ORG	9583 575 ⁹	9583 575 ⁹		
099	Touch-UP Paint Stk Classic ORG	9588 907 ⁵	9588 907 ⁵		
110	Adhesive, 100ml	9544 898 ⁸	9544 898 ⁸		

Notes:

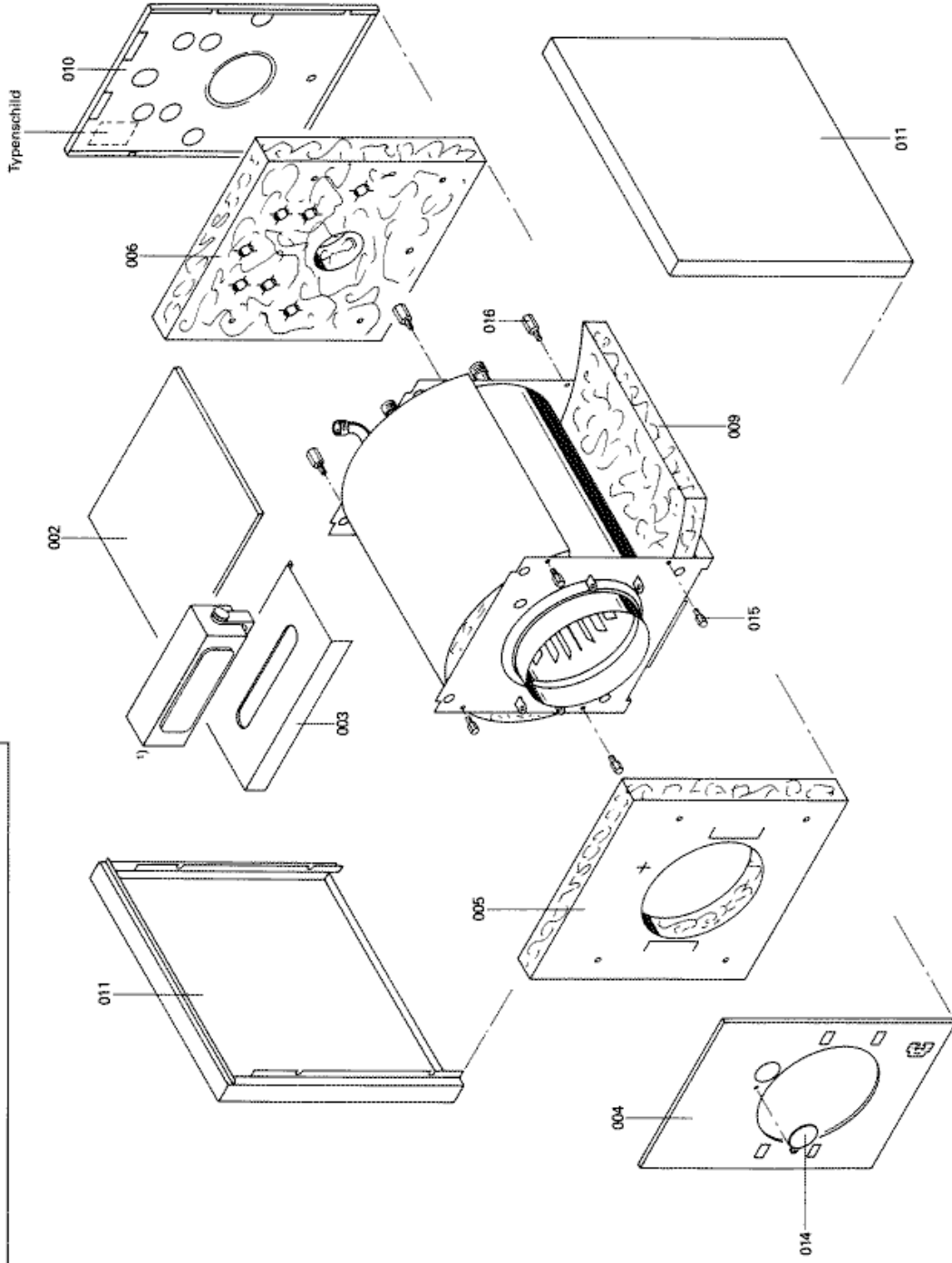
- *1 IMPORTANT: Please ensure combustion chamber door refractory is sold with 7303 945 adhesive.
 - *2 IMPORTANT: Please ensure flue gas collector is sold with 9504 769 sealant.
 - *3 IMPORTANT: Combustion chamber refractory is shipped preinstalled on combustion chamber insert only.
- "n.a." indicates not applicable.
"W" indicates wearing part (service).
"L" indicates literature (no charge).
"Kit" or "Other" indicates that this is not a Price Category item;
"D" indicates discontinued.

VIESSMANN

Einzelteilliste

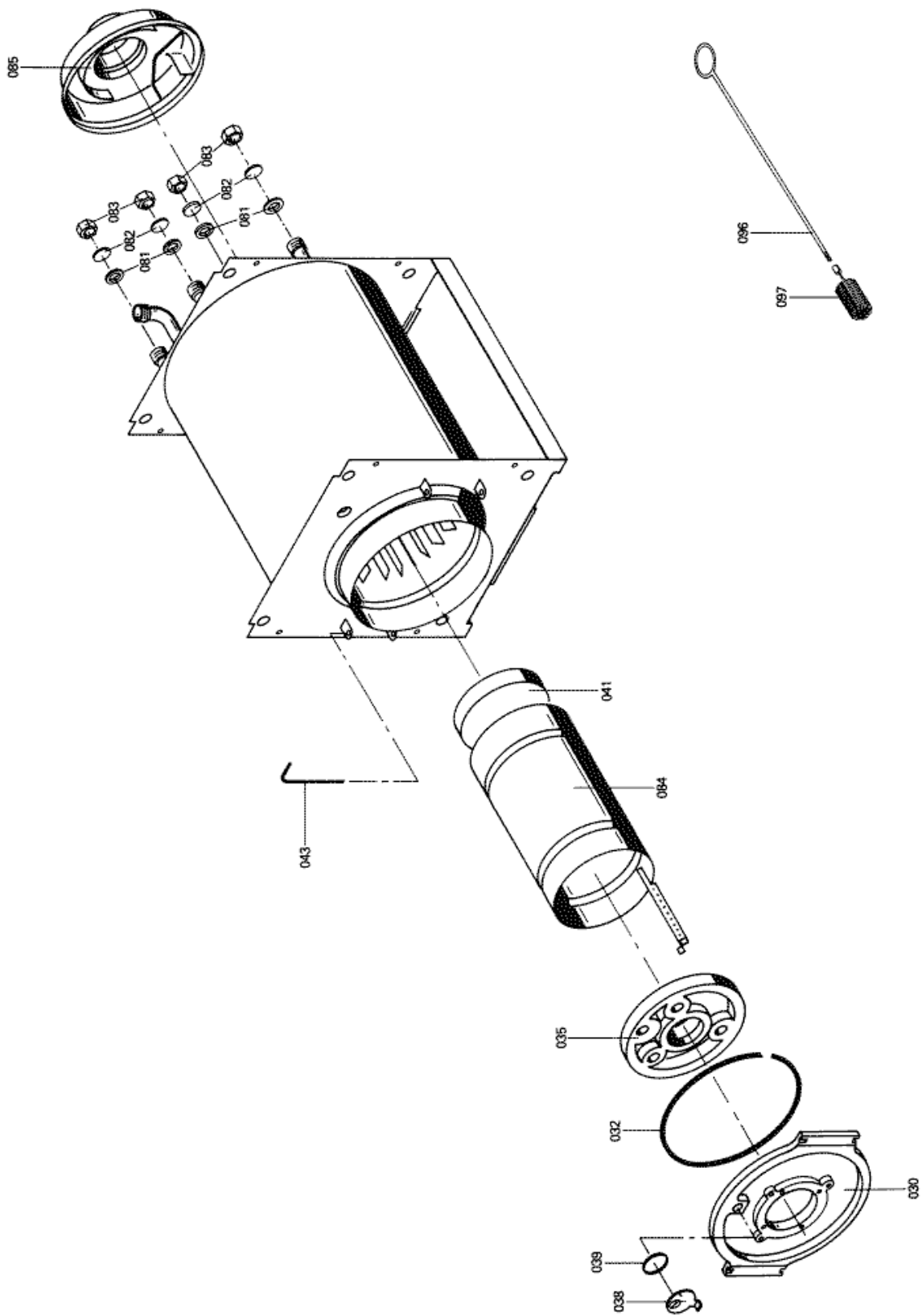
Vitola-uniferral
VNE 15... bis VNE 63...

Bei Ersatzbestellungen der Heizungsfachfirma Bestell-Nr. und Herstell-Nr. (siehe Typenschild) angeben.



¹⁾ Kesselreparatur siehe separate Einzelteilliste.
Handelsübliche Teile sind im örtlichen Fachhandel erhältlich.

Ablagehinweis: Servicetasche



Vitola-biferral-e	BEA-18	BEA-22	BEA-29	BEA-35
--------------------------	---------------	---------------	---------------	---------------

General Info	Price List Section:	01			
	Parts Catalog Section:	01			
	Series Name:	Vitola-biferral-e BEA (1988 - 1995)			
	Applies to serials nos. beginning with:	7309978...	7309979...	7309980...	7309981...
		7309147...	7309148...	7309149...	7309150...
	Accurate as of:	07/01/2012			

Parts List

Please refer to: Parts List
 Pos. Description

Part Numbers / Price Categories

002	Top Panel	7077 964 ²²	7077 965 ²²	7077 966 ¹⁸	7077 967 ¹⁹
004	Front Panel	7077 979 ¹³	7077 980 ^D	7077 981 ¹⁵	7077 982 ¹⁶
005	Insulation, Front	5132 390 ¹⁰	5132 391 ¹¹	5132 392 ¹²	5132 393 ¹²
006	Insulation Blkt, Rear	5132 380 ¹⁰	5132 381 ¹¹	5132 382 ¹²	5132 383 ¹²
009	Insulation Blkt	5104 483 ¹⁷	5104 484 ¹⁹	5104 485 ²¹	5104 486 ¹⁹
011	Side Panel (Left/Right)	5104 465 ¹⁶	5104 466 ¹⁹	5104 467 ¹⁸	5104 468 ²⁰
012	Support Bracket	5104 470 ⁹	5104 471 ⁹	5104 471 ⁹	5104 472 ⁹
014	Cover, Round Access	5130 758 ^D	5130 758 ^D	5130 758 ^D	5130 758 ^D
015	Extension Bolt	5104 498 ²	5104 498 ²	5104 498 ²	5104 498 ²
016	Hex Hd Screw, M8x65	5104 499 ¹	5104 499 ¹	5104 499 ¹	5104 499 ¹
030	Comb. Chamber Door	7303 624 ²⁸	7823 485 ³⁴	7823 486 ³⁶	7823 487 ⁴¹
032 ^{*1}	Insulation Cord, 12x16mm	7820 851 ⁸	7820 851 ⁸	7820 851 ⁸	7820 851 ⁸
035 ^{*2} W	Comb.Chbr.Dr.Refr.	7824 829 ¹⁷	7833 459 ¹⁹	7811 984 ¹⁷	7833 461 ²⁰
038	Port Cover	7819 163 ⁴	7819 163 ⁴	7819 163 ⁴	7819 163 ⁴
039	Packing Seal, 3mm	7314 413 ⁴	7314 413 ⁴	7314 413 ⁴	7314 413 ⁴
040	Pin	7815 006 ³	7815 006 ³	7815 006 ³	7815 006 ³
041 W	Comb.Chbr.Refr.	7032 430 ⁸	7032 431 ⁸	7084 798 ⁹	7811 838 ⁹
042	Door Hinge	7810 135 ⁹	5071 169 ⁹	5071 170 ⁹	5071 171 ⁹
043	Door Pin	5052 611 ⁴	5052 611 ⁴	5052 611 ⁴	5052 613 ⁴
081	Gasket, Supply/Return	7810 010 ⁴	7810 010 ⁴	7810 010 ⁴	7810 010 ⁴
084	Comb. Chamber Door Insert	7812 496 ²⁸	7812 497 ³¹	7812 498 ³³	7812 499 ³⁶
085 ^{*3}	Flue Gas Collector	5140 931 ¹⁸	5140 932 ²¹	5140 933 ²²	5140 934 ²²
088	Plastic Grommet	7813 598 ⁶	5130 943 ⁶	5130 944 ⁶	5130 944 ⁶
093	5-Point Sensor Well	7812 102 ¹²	7812 102 ¹²	7812 102 ¹²	7812 102 ¹²
096	Cleaning Brush Handle 1000mm, M10	7818 323 ⁷	7818 323 ⁷	7818 323 ⁷	7818 323 ⁷
097	Cleaning Brush Head d = 120x100 M10	7223 866 ⁸	7223 866 ⁸	7223 866 ⁸	7223 866 ⁸
098	Touch-UP Spray Paint Classic ORG	9583 575 ⁹	9583 575 ⁹	9583 575 ⁹	9583 575 ⁹
099	Touch-UP Paint Stk Classic ORG	9588 907 ⁵	9588 907 ⁵	9588 907 ⁵	9588 907 ⁵
110	Adhesive, 100ml	9544 898 ⁸	9544 898 ⁸	9544 898 ⁸	9544 898 ⁸

Notes:

- *1 IMPORTANT: Sold by the meter.
- *2 IMPORTANT: Please ensure combustion chamber door refractory is sold with 7303 945 adhesive.
- *3 IMPORTANT: Please ensure flue gas collector is sold with 9504 769 sealant.

"n.a." indicates not applicable.
 "W" indicates wearing part (service).
 "L" indicates literature (no charge).
 "Kit" or "Other" indicates that this is not a Price Category item; contact Inside Sales for pricing.
 "D" indicates discontinued.

Vitola-biferral-e	BEA-46	BEA-58	
-------------------	--------	--------	--

General Info Price List Section:
 Parts Catalog Section: 01
 Series Name: Vitola-biferral-e BEA (1988 - 1995)
 Applies to serials nos. beginning with: 7309982... 7309983...
 7309151... n.a.
 Accurate as of: 07/01/2012

Parts List

Please refer to: Parts List

Pos. Description Part Numbers / Price Categories

002	Top Panel	7077 968 ²¹	7077 969 ²⁰		
004	Front Panel	7077 983 ¹⁸	7077 983 ¹⁸		
005	Insulation, Front	5132 394 ¹²	5132 394 ¹²		
006	Insulation Blkt, Rear	5132 384 ¹²	5132 384 ¹²		
009	Insulation Blkt	5104 487 ²³	5104 894 ²²		
011	Side Panel (Left/Right)	5104 469 ¹⁸	5104 893 ²⁰		
012	Support Bracket	5104 473 ¹⁰	5104 473 ¹⁰		
014	Cover, Round Access	5130 758 ^D	5130 758 ^D		
015	Extension Bolt	5104 498 ²	5104 498 ²		
016	Hex Hd Screw, M8x65	5104 499 ¹	5104 499 ¹		
030	Comb. Chamber Door	7823 488 ⁴⁶	7823 488 ⁴⁶		
032 ^{*1}	Insulation Cord, 12x16mm	7820 851 ⁸	7820 851 ⁸		
035 ^{*2} W	Comb.Chbr.Dr.Refr.	7833 462 ²¹	7833 462 ²¹		
038	Port Cover	7819 163 ⁴	7819 163 ⁴		
039	Packing Seal, 3mm	7314 413 ⁴	7314 413 ⁴		
040	Pin	7815 006 ³	7815 006 ³		
041 W	Comb.Chbr.Refr.	7818 221 ¹⁰	7818 221 ¹⁰		
042	Door Hinge	5071 172 ¹⁰	5071 172 ¹⁰		
043	Door Pin	5052 613 ⁴	5052 613 ⁴		
081	Gasket, Supply/Return	7810 010 ⁴	7810 010 ⁴		
084	Comb. Chamber Door Insert	7812 500 ⁴¹	7812 504 ⁴²		
085 ^{*3}	Flue Gas Collector	5140 935 ²⁵	5140 935 ²⁵		
088	Plastic Grommet	5130 945 ⁸	5130 945 ⁸		
093	5-Point Sensor Well	7812 102 ¹²	7812 102 ¹²		
096	Cleaning Brush Handle 1000mm, M10	7818 323 ⁷	7818 323 ⁷		
097	Cleaning Brush Head d = 120x100 M10	7223 866 ⁸	7223 866 ⁸		
098	Touch-UP Spray Paint Classic ORG	9583 575 ⁹	9583 575 ⁹		
099	Touch-UP Paint Stk Classic ORG	9588 907 ⁵	9588 907 ⁵		
110	Adhesive, 100ml	9544 898 ⁸	9544 898 ⁸		

Notes:

- *1 IMPORTANT: Sold by the meter.
- *2 IMPORTANT: Please ensure combustion chamber door refractory is sold with 7303 945 adhesive.
- *3 IMPORTANT: Please ensure flue gas collector is sold with 9504 769 sealant.

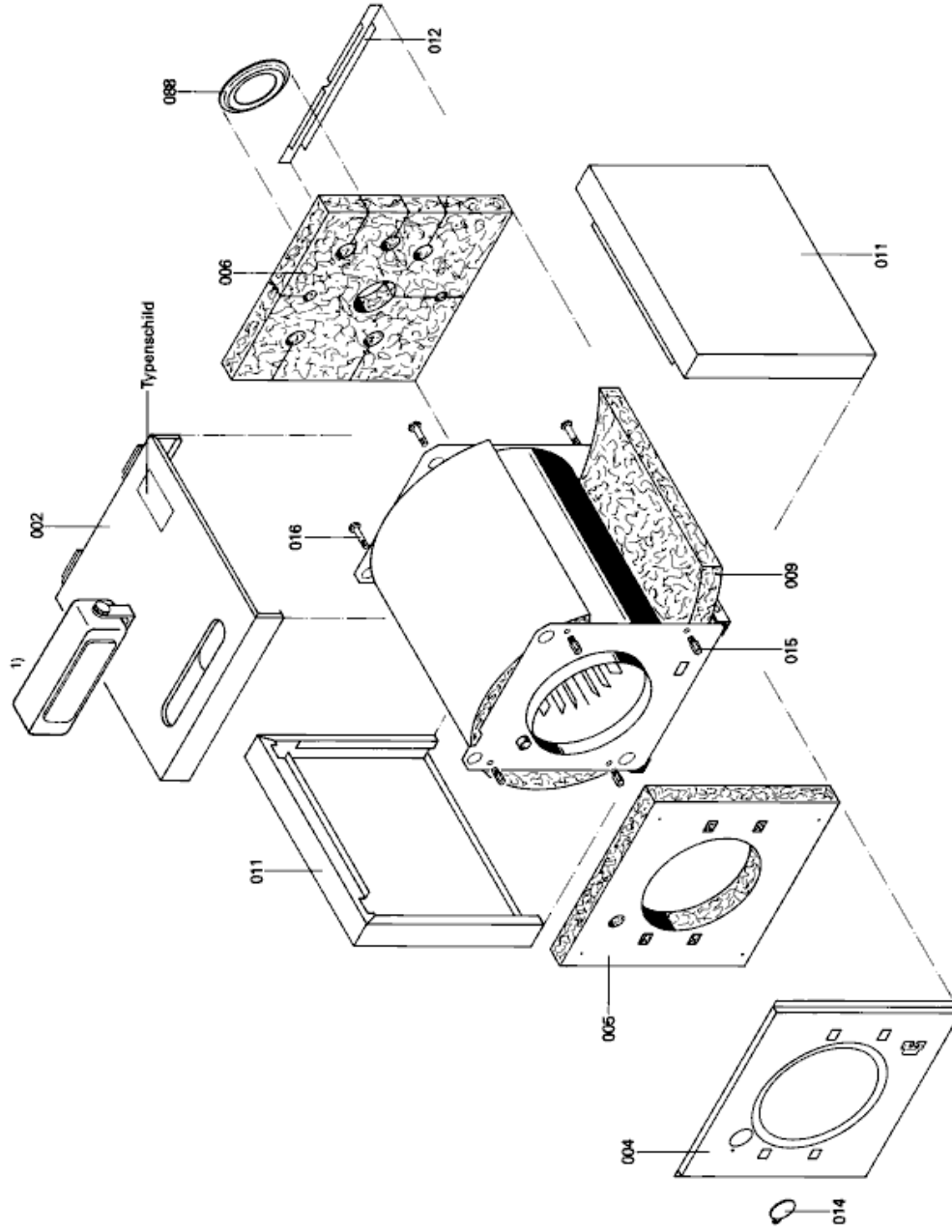
"n.a." indicates not applicable.
 "W" indicates wearing part (service).
 "L" indicates literature (no charge).
 "Kit" or "Other" indicates that this is not a Price Category item;
 "D" indicates discontinued.

VIESSMANN

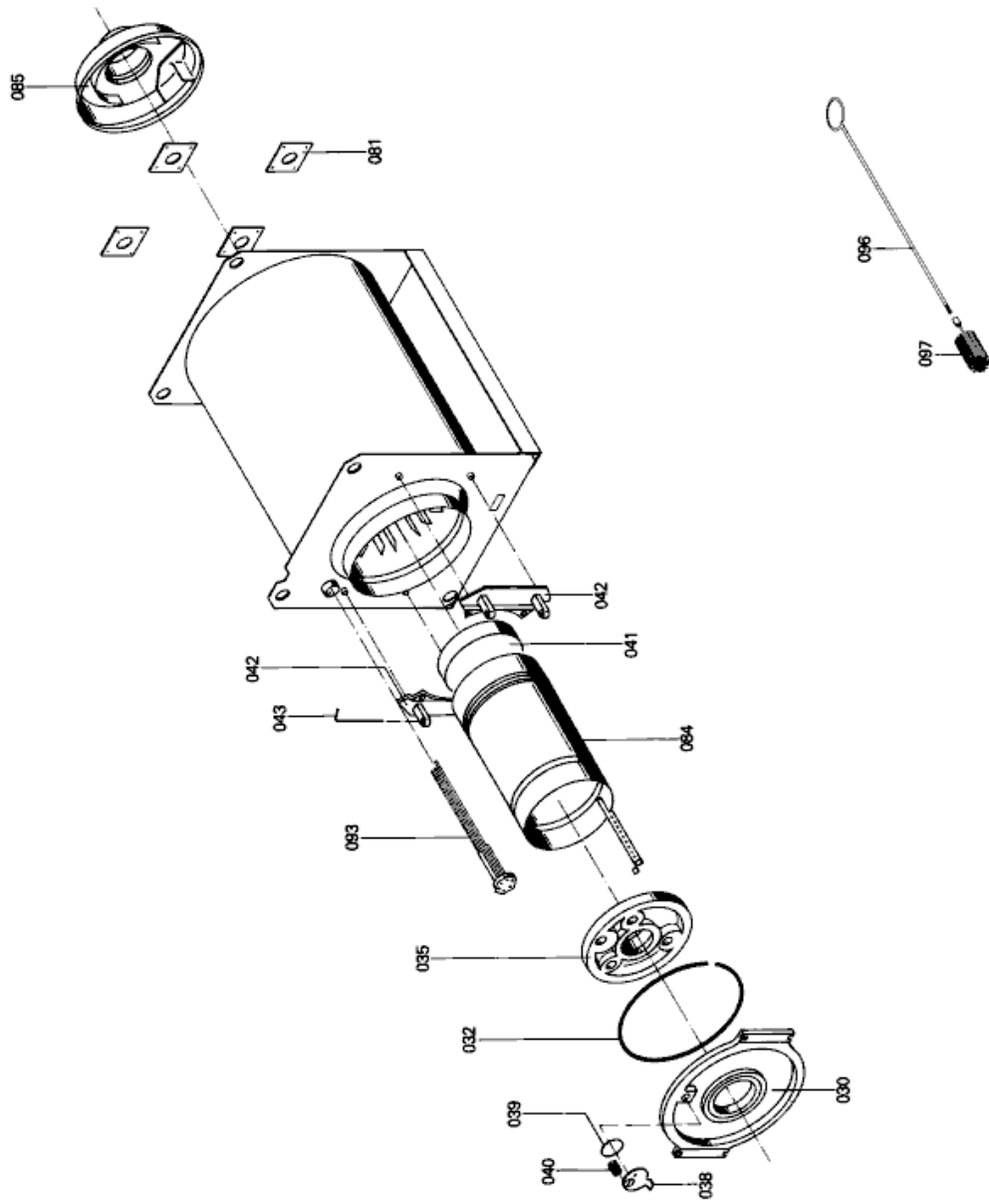
Einzelteilliste

Vitola-biferrale
BEA 14... bis BEA 58...

Bei Ersatzbestellungen der Heizungsfachfirma Bestell-Nr. und Herstell-Nr. (siehe Typenschild) angeben.



Abgleichweis:
Servicetasche am Heizkessel!



Vitola-biferral-e	BE-18	BE-22	BE-29	BE-35
-------------------	-------	-------	-------	-------

General Info Price List Section:
 Parts Catalog Section:
 Series Name: Vitola-biferral-e BE (1986 - 1988)
 Applies to serials nos. beginning with: 7307058... 7307059... 7307060... 7307061...
 Accurate as of: 11/13/2012

Parts List

Please refer to: Parts List
 Pos. Description

Part Numbers / Price Categories

002	Top Panel	7077 423 ^D	7077 424 ^D	7077 425 ^D	7077 595 ^D
004	Front Panel	5077 609 ^D	5077 600 ^D	5077 592 ^D	5077 615 ^D
005	Insulation Blkt, Front	5062 623 ^D	5062 624 ^D	5062 625 ^D	5062 626 ^D
006	Insulation Blkt, Rear	5132 380 ^D	5132 381 ^D	5132 382 ^D	5132 383 ^D
009	Insulation Blkt	5104 258 ^D	5104 259 ^D	5104 260 ^D	5104 261 ^D
011	Side Panel (Left/Right)	5062 634 ^D	5062 635 ^D	5062 636 ^D	5104 029 ^D
012	Support Bracket	5077 700 ^D	5077 701 ^D	5077 701 ^D	5077 702 ^D
014	Cover, Round Access	5037 010 ^D	5037 010 ^D	5037 010 ^D	5037 010 ^D
015	Extension Bolt	5104 498 ^D	5104 498 ^D	5104 498 ^D	5104 498 ^D
016	Hex Hd Screw, M8x65	5104 499 ^D	5104 499 ^D	5104 499 ^D	5104 499 ^D
030	Comb. Chamber Dr f Oil Chassis	7205 312 ^D	7205 313 ^D	7205 314 ^D	7205 315 ^D
030	Comb. Chamber Dr f Gas Chassis	7205 317 ^D	7205 318 ^D	7205 319 ^D	7205 320 ^D
030	Comb. Chamber Dr f Riello	7303 624 ²⁸	7823 485 ³⁴	7823 486 ³⁶	7823 487 ⁴¹
032 ^{*1}	Insulation Cord, 12x16mm	7820 851 ⁸	7820 851 ⁸	7820 851 ⁸	7820 851 ⁸
035 ^{*2} W	Comb.Chbr.Dr.Refr. f Oil Chassis	7230 279 ¹⁶	7817 386 ¹⁸	7817 387 ¹⁸	7817 388 ¹⁹
035 ^{*2} W	Comb.Chbr.Dr.Refr. f Gas Chassis	7230 279 ¹⁶	7817 386 ¹⁸	7817 387 ¹⁸	7817 388 ¹⁹
035 ^{*2} W	Comb.Chbr.Dr.Refr. f Riello	7833 458 ¹⁸	7230 275 ¹⁶	7833 460 ²⁰	7833 461 ²⁰
038	Observ. Port Cover	7205 135 ^D	7205 135 ^D	7205 135 ^D	7205 135 ^D
039	Packing Seal, 3mm	7314 413 ⁴	7314 413 ⁴	7314 413 ⁴	7314 413 ⁴
041 W	Comb.Chbr.Refr.	7032 430 ^D	7032 431 ^D	7084 798 ^D	7811 838 ⁹
042	Door Hinge	5037 982 ^D	5037 984 ^D	7810 081 ^D	5037 988 ^D
043	Door Pin	5052 611 ^D	5052 611 ^D	5052 611 ^D	5052 613 ^D
081	Gasket, Supply/Return	7810 010 ⁴	7810 010 ⁴	7810 010 ⁴	7810 010 ⁴
084	Comb. Chamber	7086 418 ^D	7811 924 ³⁰	7086 420 ³⁴	7086 421 ³⁷
085 ^{*3}	Flue Gas Collector	5140 931 ^D	5140 932 ^D	5140 933 ^D	5140 934 ^D
093	5-Point Sensor Well	7812 102 ¹²	7812 102 ¹²	7812 102 ¹²	7812 102 ¹²
096	Cleaning Brush Handle 1000mm, M10	7818 323 ⁷	7818 323 ⁷	7818 323 ⁷	7818 323 ⁷
097	Cleaning Brush Head d = 120x100 M10	7223 866 ⁸	7223 866 ⁸	7223 866 ⁸	7223 866 ⁸
098	Touch-UP Spray Paint Classic ORG	9583 575 ⁹	9583 575 ⁹	9583 575 ⁹	9583 575 ⁹
099	Touch-UP Paint Stk Classic ORG	9588 907 ⁵	9588 907 ⁵	9588 907 ⁵	9588 907 ⁵
110	Adhesive, 100ml	9544 898 ⁸	9544 898 ⁸	9544 898 ⁸	9544 898 ⁸

Notes:

Some of the items listed above may not be illustrated in the explosion diagram(s).

- *1 IMPORTANT: Sold by the meter.
- *2 IMPORTANT: Please ensure combustion chamber door refractory is sold with 7303 945 adhesive.
- *3 IMPORTANT: Please ensure flue gas collector is sold with 9504 769 sealant.

"n.a." indicates not applicable.
 "W" indicates wearing part (service).
 "L" indicates literature (no charge).
 "Kit" or "Other" indicates that this is not a Price Category item; contact Inside Sales for pricing.
 "D" indicates discontinued.

Vitola-biferral-e	BE-46	
-------------------	-------	--

General Info Price List Section:
 Parts Catalog Section:
 Series Name: Vitola-biferral-e BE (1986 - 1988)
 Applies to serials nos. beginning with: 7307062...
 Accurate as of: 11/13/2012

Parts List

Please refer to: Parts List

Pos. Description Part Numbers / Price Categories

002	Top Panel	7077 427 ^D			
004	Front Panel	5077 630 ^D			
005	Insulation Blkt, Front	5062 627 ^D			
006	Insulation Blkt, Rear	5132 384 ^D			
009	Insulation Blkt	5104 262 ^D			
011	Side Panel (Left/Right)	5062 638 ^D			
012	Support Bracket	5077 703 ^D			
014	Cover, Round Access	5037 010 ^D			
015	Extension Bolt	5104 498 ^D			
016	Hex Hd Screw, M8x65	5104 499 ^D			
030	Comb. Chamber Dr f Oil Chassis	7205 372 ^D			
030	Comb. Chamber Dr f Gas Chassis	7205 371 ^D			
030	Comb. Chamber Dr f Riello	7823 488 ⁴⁶			
032 ^{*1}	Insulation Cord, 12x16mm	7820 851 ⁸			
035 ^{*2} W	Comb.Chbr.Dr.Refr. f Oil Chassis	7817 388 ¹⁹			
035 ^{*2} W	Comb.Chbr.Dr.Refr. f Gas Chassis	7817 388 ¹⁹			
035 ^{*2} W	Comb.Chbr.Dr.Refr. f Riello	7833 462 ²¹			
038	Observ. Port Cover	7205 135 ^D			
039	Packing Seal, 3mm	7314 413 ⁴			
041 W	Comb.Chbr.Refr.	7818 221 ¹⁰			
042	Door Hinge	5037 988 ^D			
043	Door Pin	5052 613 ^D			
081	Gasket, Supply/Return	7810 010 ⁴			
084	Comb. Chamber	7811 927 ⁴²			
085 ^{*3}	Flue Gas Collector	5140 935 ^D			
093	5-Point Sensor Well	7812 102 ¹²			
096	Cleaning Brush Handle 1000mm, M10	7818 323 ⁷			
097	Cleaning Brush Head d = 120x100 M10	7223 866 ⁸			
098	Touch-UP Spray Paint Classic ORG	9583 575 ⁹			
099	Touch-UP Paint Stk Classic ORG	9588 907 ⁵			
110	Adhesive, 100ml	9544 898 ⁸			

Notes:

Some of the items listed above may not be illustrated in the explosion diagram(s).

*1 IMPORTANT: Sold by the meter.

*2 IMPORTANT: Please ensure combustion chamber door refractory is sold with 7303 945 adhesive.

*3 IMPORTANT: Please ensure flue gas collector is sold with 9504 769 sealant.

"n.a." indicates not applicable.

"W" indicates wearing part (service).

"L" indicates literature (no charge).

"Kit" or "Other" indicates that this is not a Price Category item;

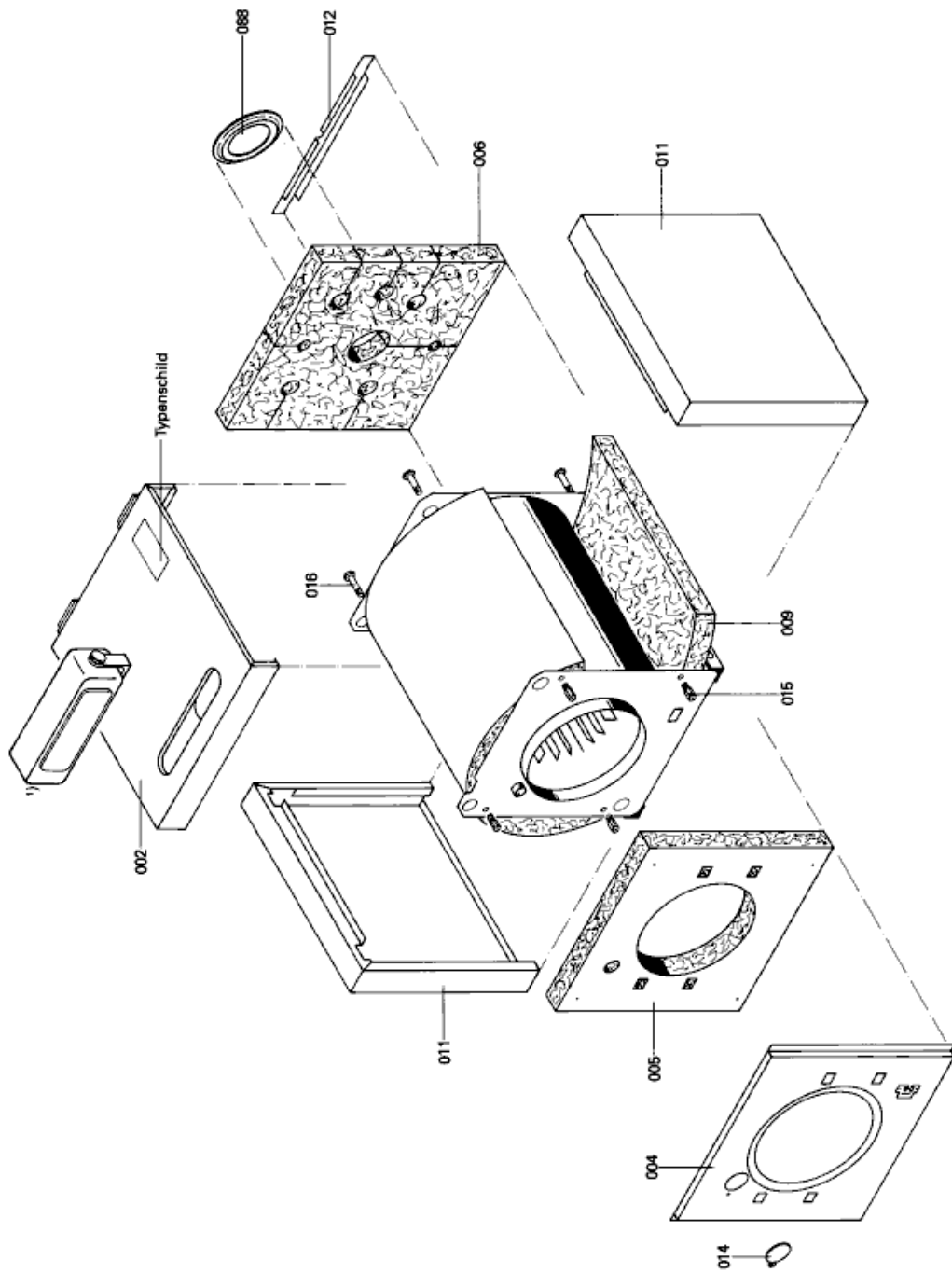
"D" indicates discontinued.

VIESSMANN

Einzelteilliste

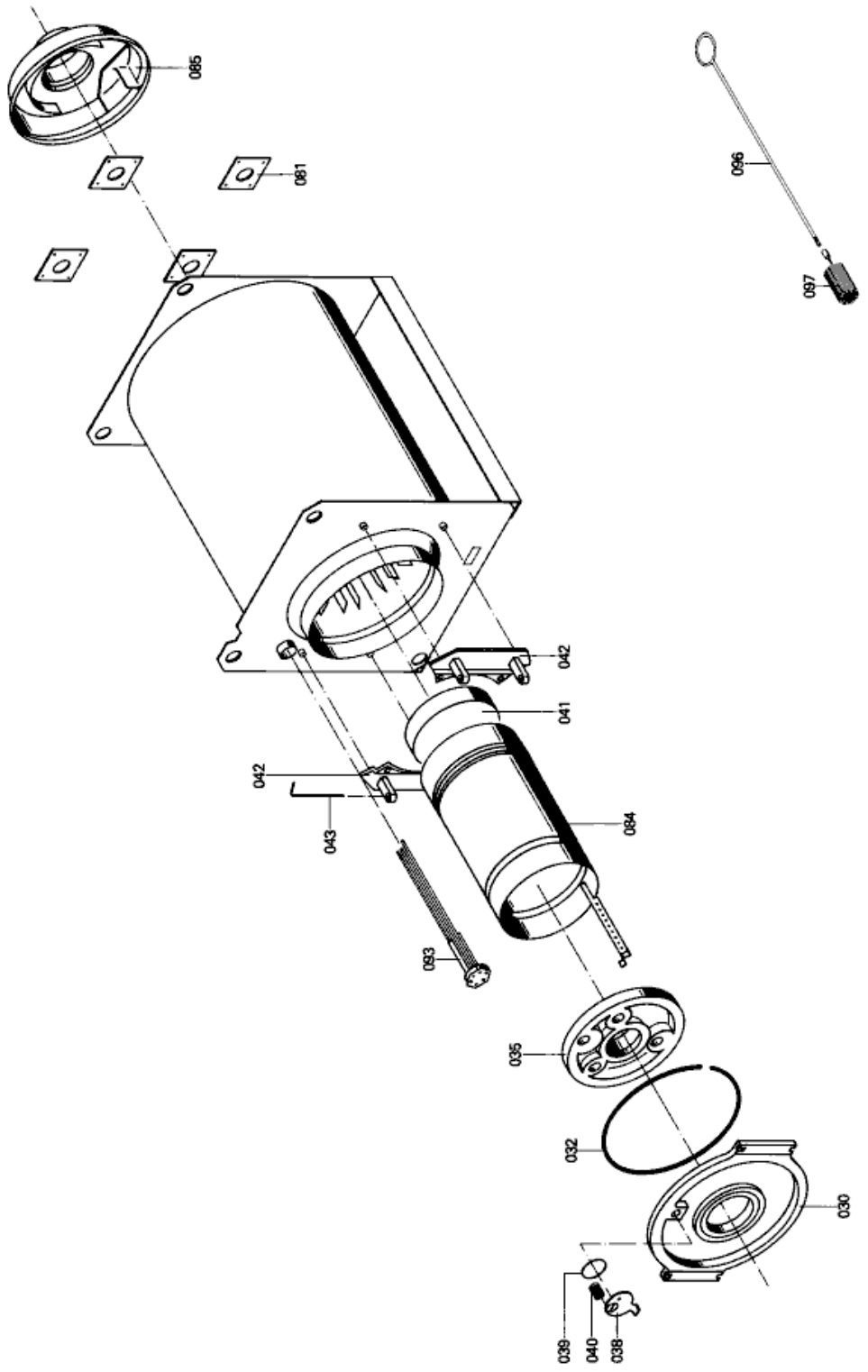
Vitola-uniferral-e
NE-16.. bis NE-58..

Bei Ersatzbestellungen der Heizungsfachfirma Bestell-Nr. und Herstell-Nr. (siehe Typenschild) angeben.



Abgabeart:
Servicetasche am Heizkessel

¹⁾ Kesselregulierung siehe separate Einzelteilliste
Handelsübliche Teile sind im örtlichen Fachhandel erhältlich.



Vitola-biferral-e 13516	-39	-40	-41	-42
-------------------------	-----	-----	-----	-----

General Info Price List / Product Cat. Section:
 Series: Vitola-biferral-e 13516 (1981 - 1985)

Accurate as of: 11/13/2012

Parts List

Please refer to: Parts List

Pos. Description Part Numbers / Price Categories

002	Top Panel	7077 423 ^D	7077 424 ^D	7077 425 ^D	7077 595 ^D
004	Front Panel	5077 609 ^D	5077 600 ^D	5077 592 ^D	5077 615 ^D
005	Insulation Blkt, Front	5062 623 ^D	5062 624 ^D	5062 625 ^D	5062 626 ^D
006	Insulation Blkt, Rear	5062 628 ^D	5062 629 ^D	5062 630 ^D	5062 631 ^D
009	Insulation Blkt	5104 258 ^D	5104 259 ^D	5104 260 ^D	5104 261 ^D
011	Side Panel (Left/Right)	5062 634 ^D	5062 635 ^D	5062 636 ^D	5104 029 ^D
012	Support Bracket	5077 700 ^D	5077 701 ^D	5077 701 ^D	5077 702 ^D
014	Cover, Round Access	5037 010 ^D	5037 010 ^D	5037 010 ^D	5037 010 ^D
030	Comb. Chamber Dr f Oil Chassis	7205 312 ^D	7205 313 ^D	7205 314 ^D	7205 315 ^D
030	Comb. Chamber Dr f Gas Chassis	7205 317 ^D	7205 318 ^D	7205 319 ^D	7205 320 ^D
030	Comb. Chamber Dr f Riello	7205 272 ^D	7205 273 ^D	7205 274 ^D	7205 275 ^D
032 ^{*1}	Insulation Cord, 12x16mm	7820 851 ⁸	7820 851 ⁸	7820 851 ⁸	7820 851 ⁸
035 ^{*2} W	Comb.Chbr.Dr.Refr. f Oil Chassis	7230 279 ¹⁶	7817 386 ¹⁸	7817 387 ¹⁸	7817 388 ¹⁹
035 ^{*2} W	Comb.Chbr.Dr.Refr. f Gas Chassis	7230 279 ¹⁶	7817 386 ¹⁸	7817 387 ¹⁸	7817 388 ¹⁹
035 ^{*2} W	Comb.Chbr.Dr.Refr. f Riello	7205 266 ^D	7205 267 ^D	7833 460 ²⁰	7205 269 ¹⁷
038	Observ. Port Cover	7205 135 ^D	7205 135 ^D	7205 135 ^D	7205 135 ^D
039	Packing Seal, 3mm	7314 413 ⁴	7314 413 ⁴	7314 413 ⁴	7314 413 ⁴
040	Pin	n.a. ^{n.a.}	n.a. ^{n.a.}	n.a. ^{n.a.}	n.a. ^{n.a.}
041 W	Comb.Chbr.Refr.	7032 430 ^D	7032 431 ^D	7084 798 ^D	7811 838 ⁹
042	Door Hinge	5037 982 ^D	5037 984 ^D	7810 081 ^D	5037 988 ^D
043	Door Pin	5052 611 ^D	5052 611 ^D	5052 611 ^D	5052 613 ^D
081	Gasket, Supply/Return	7810 010 ⁴	7810 010 ⁴	7810 010 ⁴	7810 010 ⁴
084	Comb. Chamber	7811 918 ^D	7811 840 ²⁷	7811 842 ²⁸	7086 393 ^D
085 ^{*3}	Flue Gas Collector	5057 350 ^D	5057 356 ^D	5076 291 ^D	5057 368 ^D
088		n.a. ^{n.a.}	n.a. ^{n.a.}	n.a. ^{n.a.}	n.a. ^{n.a.}
093	5-Point Sensor Well	7812 102 ¹²	7812 102 ¹²	7812 102 ¹²	7812 102 ¹²
096	Cleaning Brush Handle 1000mm, M10	7818 323 ⁷	7818 323 ⁷	7818 323 ⁷	7818 323 ⁷
097	Cleaning Brush Head d = 120x100 M10	7223 866 ⁸	7223 866 ⁸	7223 866 ⁸	7223 866 ⁸
098	Touch-UP Spray Paint Classic ORG	9583 575 ⁹	9583 575 ⁹	9583 575 ⁹	9583 575 ⁹
099	Touch-UP Paint Stk Classic ORG	9588 907 ⁵	9588 907 ⁵	9588 907 ⁵	9588 907 ⁵
110	Adhesive, 100ml	9544 898 ⁸	9544 898 ⁸	9544 898 ⁸	9544 898 ⁸

Notes:

Some of the items listed above may not be illustrated in the explosion diagram(s).

*1 IMPORTANT: Sold by the meter.

*2 IMPORTANT: Please ensure combustion chamber door refractory is sold with 7303 945 adhesive.

*3 IMPORTANT: Please ensure flue gas collector is sold with 9504 769 sealant.

"n.a." indicates not applicable.

"W" indicates wearing part (service).

"L" indicates literature (no charge).

"Kit" or "Other" indicates that this is not a Price Category item; contact Inside Sales for pricing.

"D" indicates discontinued.

Vitola-biferral-e 13516	-43	
-------------------------	-----	--

General Info Price List / Product Cat. Section:
 Series: Vitola-biferral-e 13516 (1981 - 1985)

Accurate as of: 11/13/2012

Parts List

Please refer to: Parts List

Pos. Description Part Numbers / Price Categories

002	Top Panel	7077 427 ^D		
004	Front Panel	5077 630 ^D		
005	Insulation Blkt, Front	5062 627 ^D		
006	Insulation Blkt, Rear	5062 632 ^D		
009	Insulation Blkt	5104 262 ^D		
011	Side Panel (Left/Right)	5062 638 ^D		
012	Support Bracket	5077 703 ^D		
014	Cover, Round Access	5037 010 ^D		
030	Comb. Chamber Dr f Oil Chassis	7205 372 ^D		
030	Comb. Chamber Dr f Gas Chassis	7205 371 ^D		
030	Comb. Chamber Dr f Riello	7205 298 ^D		
032 ^{*1}	Insulation Cord, 12x16mm	7820 851 ⁸		
035 ^{*2} W	Comb.Chbr.Dr.Refr. f Oil Chassis	7817 388 ¹⁹		
035 ^{*2} W	Comb.Chbr.Dr.Refr. f Gas Chassis	7817 388 ¹⁹		
035 ^{*2} W	Comb.Chbr.Dr.Refr. f Riello	7833 462 ²¹		
038	Observ. Port Cover	7205 135 ^D		
039	Packing Seal, 3mm	7314 413 ⁴		
040	Pin	n.a. ^{n.a.}		
041 W	Comb.Chbr.Refr.	7818 221 ¹⁰		
042	Door Hinge	5037 988 ^D		
043	Door Pin	5052 613 ^D		
081	Gasket, Supply/Return	7810 010 ⁴		
084	Comb. Chamber	7811 921 ⁴¹		
085 ^{*3}	Flue Gas Collector	5057 374 ^D		
088		n.a. ^{n.a.}		
093	5-Point Sensor Well	7812 102 ¹²		
096	Cleaning Brush Handle 1000mm, M10	7818 323 ⁷		
097	Cleaning Brush Head d = 120x100 M10	7223 866 ⁸		
098	Touch-UP Spray Paint Classic ORG	9583 575 ⁹		
099	Touch-UP Paint Stk Classic ORG	9588 907 ⁵		
110	Adhesive, 100ml	9544 898 ⁸		

Notes:

Some of the items listed above may not be illustrated in the explosion diagram(s).

- *1 IMPORTANT: Sold by the meter.
- *2 IMPORTANT: Please ensure combustion chamber door refractory is sold with 7303 945 adhesive.
- *3 IMPORTANT: Please ensure flue gas collector is sold with 9504 769 sealant.

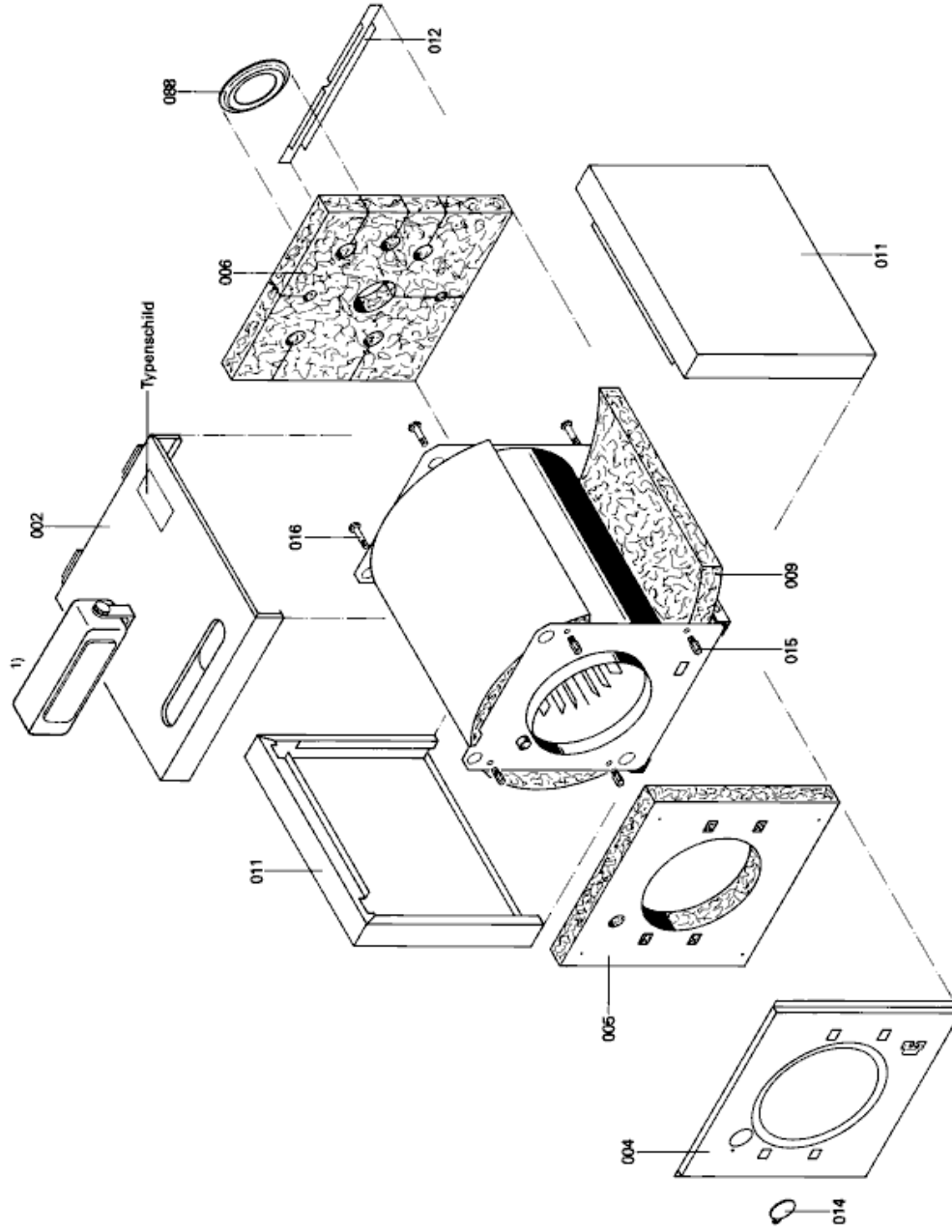
"n.a." indicates not applicable.
 "W" indicates wearing part (service).
 "L" indicates literature (no charge).
 "Kit" or "Other" indicates that this is not a Price Category item;
 "D" indicates discontinued.

VIESSMANN

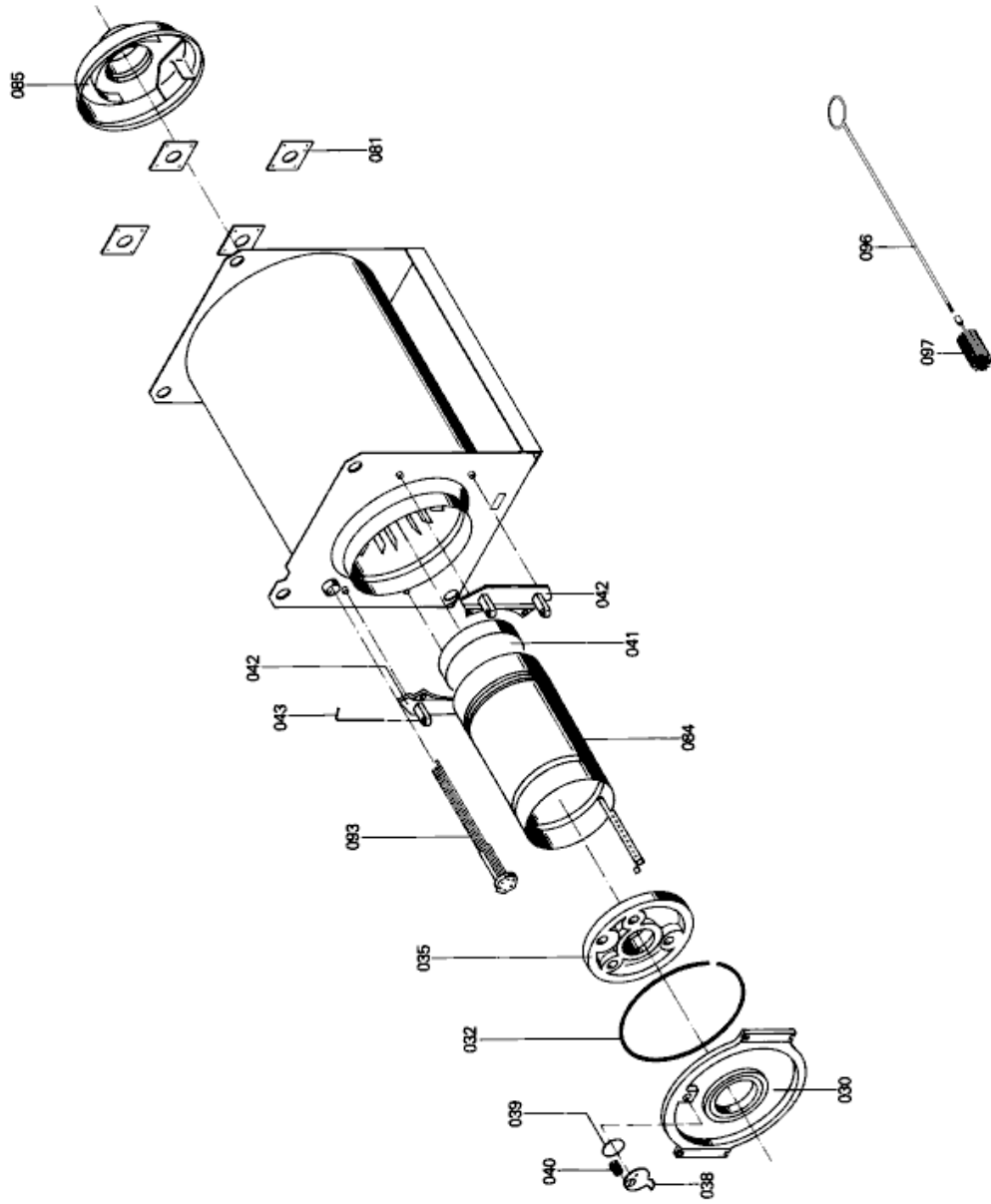
Einzelteilliste

Vitola-biferrale
BEA 14... bis BEA 58...

Bei Ersatzbestellungen der Heizungsfachfirma Bestell-Nr. und Herstell-Nr. (siehe Typenschild) angeben.



Abgleichweis:
Servicetasche am Heizkessel!



	VB2-18	VB2-22	VB2-33	VB2-40	VB2-50	VB2-63	
General Info	Price List Section:			1.2			
	Parts Catalog Section:			02			
	Accurate as of:			07/01/2012			
Shipping Overview	Natural Gas VG						
11/2000 - 6/2004	Z001026	Z001027	Z001028	Z001029	Z001030	n.a.	
Burner	7133 337	7133 338	7133 339	7133 340	7133 341		
Burner Hd	7819 492	7819 492	7819 492	7819 493	7819 493		
Barometric	9544 264	9544 264	9544 264	9544 264	9544 265		
11/2000 - 9/2003	Oil VEC						
Price List	Z001036	Z001037	Z001038	Z001039	Z001040	n.a.	
Burner	7133 347	7133 348	7133 349	7133 543	7133 351		
Burner Hd	7819 492	7819 492	7819 492	7819 493	7819 493		
Barometric	9544 266	9544 266	9544 266	9544 266	9544 266		
6/2004 - present	Natural Gas VGA						
Price List	7134 431	7134 432	7134 433	7134 434	7134 435	7134 436	
6/2003 - present	Oil VEM (US Market)						
Price List	7134 300	7134 301	7134 302	7134 303	7134 304	7134 305	
5/2005 - present	Oil VEM (CDN Market)						
Price List	Z003588	Z003589	Z003590	Z003591	Z003592	Z003593	
Burner + Hd	7134 300	7134 301	7134 302	7134 303	7134 304	7134 305	
BV Switch	7134 541	7134 541	7134 541	7134 541	7134 541	7134 541	

VITOFROME 200

Vitoflame 200	VGA-18 7134 431	VGA-22 7134 432	VGA-33 7134 433	VGA-40 7134 434
----------------------	---------------------------	---------------------------	---------------------------	---------------------------

General Info	Price List Section:	1.2
	Parts Catalog Section:	02
	Series Name:	VGA (4/2004 - present)
	Applies to serials nos. beginning with:	7134431..., 7134432..., 7134433..., 7134434...
	Accurate as of:	11/07/2012

Parts List

Please refer to: Parts List

Pos. Description Part Numbers / Price Categories

001	Burner Chassis w Air Baffle	7818 096 ^D	7818 096 ^D	7818 096 ^D	7818 062 ^D
002	Blast Tube	7254 353 ¹⁸	7254 353 ¹⁸	7254 353 ¹⁸	7254 353 ¹⁸
003	Access. Pack (Burner Parts)	7817 278 ⁸	7817 278 ⁸	7817 278 ⁸	7817 278 ⁸
004	Burner Motor	7822 084 ²⁵	7822 084 ²⁵	7822 084 ²⁵	7822 084 ²⁵
005	Burner Hood	7818 091 ²⁶	7818 091 ²⁶	7818 091 ²⁶	7818 090 ²⁷
006	Ignition Transformer	7822 082 ¹³	7822 082 ¹³	7822 082 ¹³	7822 082 ¹³
007 W	Burner Ctrl	7815 797 ³⁶	7815 797 ³⁶	7815 797 ³⁶	7815 797 ³⁶
008	Ctrl Sub-Base	7822 080 ²⁴	7822 080 ²⁴	7822 080 ²⁴	7822 080 ²⁴
009	Ionization Electrode Cable	7817 243 ⁹	7817 243 ⁹	7817 243 ⁹	7817 243 ⁹
010	Connection Pipe	7822 088 ^D	7822 088 ^D	7822 088 ^D	7822 088 ^D
011	Set Screw	7817 245 ^D	7817 245 ^D	7817 245 ^D	7817 245 ^D
012 W	Burner Housing Gskt	7218 504 ⁶	7218 504 ⁶	7218 504 ⁶	7218 504 ⁶
013	Mixer Head	7817 246 ^D	7817 246 ^D	7817 247 ^D	7817 248 ³¹
014	Air Press. Switch	7832 923 ¹⁹	7832 923 ¹⁹	7832 923 ¹⁹	7832 923 ¹⁹
015	Air Press. Hose	7817 262 ^D	7817 262 ^D	7817 262 ^D	7817 262 ^D
016	Blower Wheel	7818 082 ¹⁰	7818 082 ¹⁰	7818 082 ¹⁰	7818 081 ¹²
017	Mounting Base f Air Press. Switch	7817 250 ^D	7817 250 ^D	7817 250 ^D	7817 250 ^D
018	Primary Air Baffle	7822 312 ⁹	7822 312 ⁹	7822 312 ⁹	7816 359 ⁷
020	Turbulator Disc Assly	5150 655 ⁷	5150 655 ⁷	7810 586 ⁷	7810 707 ¹¹
021	Grounding Wire	7813 536 ²	7813 536 ²	7813 536 ²	7813 536 ²
022	Electrode Bracket	7810 590 ^D	7810 590 ^D	7810 590 ^D	7810 590 ^D
023	Ignition Cable	7816 395 ⁷	7816 395 ⁷	7816 395 ⁷	7816 395 ⁷
024	Access. Pack 1	7147 839 ⁸	7147 839 ⁸	7147 839 ⁸	7147 839 ⁸
025	Burner Flange	7818 067 ¹¹	7818 067 ¹¹	7818 067 ¹¹	7818 066 ^D
028 W	Ionization Electrode	7810 148 ¹²	7810 148 ¹²	7810 148 ¹²	7810 148 ¹²
029 W	Ignition Electrode	7810 589 ⁷	7810 589 ⁷	7810 589 ⁷	7810 589 ⁷
030 W	Grounding Electrode	7822 118 ⁷	7822 118 ⁷	7822 118 ⁷	7822 118 ⁷
032 *2	Regulator Spring	9560 866 ²	9560 866 ²	9560 866 ²	9560 866 ²
034 *2	Regulator	9560 867 ¹⁷	9560 867 ¹⁷	9560 867 ¹⁷	9560 867 ¹⁷
036	Solenoid Valve	9560 865 ³⁰	9560 865 ³⁰	9560 865 ³⁰	9560 865 ³⁰
038	Gas Valve	9556 616 ⁴⁰	9556 616 ⁴⁰	9556 616 ⁴⁰	9556 616 ⁴⁰
040	Gasket	7088 562 ⁴	7088 562 ⁴	7088 562 ⁴	7088 562 ⁴
042 *1	Orifice	5072 482 ^D	5072 484 ^D	5210 713 ^D	5207 510 ^D
				continued on next page	

VITOFLAME 200

Vitoflame 200	VGA-18 7134 431	VGA-22 7134 432	VGA-33 7134 433	VGA-40 7134 434
----------------------	---------------------------	---------------------------	---------------------------	---------------------------

General Info	Price List Section:	1.2
	Parts Catalog Section:	02
	Series Name:	VGA (4/2004 - present)
	Applies to serials nos. beginning with:	7134431..., 7134432..., 7134433..., 7134434...
	Accurate as of:	11/07/2012

Parts List

Please refer to: Parts List

Pos. Description Part Numbers / Price Categories

050	Install. Instr., VGA	5285 636 ^L	5285 636 ^L	5285 636 ^L	5285 636 ^L
051	Start-Up/Service Instr., VGA	5285 637 ^L	5285 637 ^L	5285 637 ^L	5285 637 ^L
052	Oper. Instr./User's Info, VGA	5285 638 ^L	5285 638 ^L	5285 638 ^L	5285 638 ^L
053	Parts List, VGA	5285 639 ^D	5285 639 ^D	5285 639 ^D	5285 639 ^D
100	FTS-4 Spill Switch Assly w Instr.	7134 437 ²⁹	7134 437 ²⁹	7134 437 ²⁹	7134 437 ²⁹
101	Barometric Damper	9544 264 ²¹	9544 264 ²¹	9544 264 ²¹	9544 264 ²¹
102	Gas Valve Support Bracket	9549 893 ⁹	9549 893 ⁹	9549 893 ⁹	9549 893 ⁹

Notes:

*1 WARNING: Ensure ONLY the correct orifice listed above is installed. Do NOT overfire or underfire boiler/burner. Contact Viessmann for orifice specifications.

*2 IMPORTANT Ensure 9560 867 is sold with 9560 866.

"n.a." indicates not applicable.

"W" indicates wearing part (service).

"L" indicates literature (no charge).

"Kit" or "Other" indicates that this is not a Price Category item; contact Inside Sales for pricing.

VITOFLAME 200

Vitoflame 200	VGA-50 7134 435	VGA-63 7134 436	
---------------	--------------------	--------------------	--

General Info	Price List Section:	1.2
	Parts Catalog Section:	02
	Series Name:	VGA (4/2004 - present)
	Applies to serials nos. beginning with:	7134435..., 7134436...
	Accurate as of:	11/07/2012

Parts List

Please refer to: Parts List

Pos.	Description	Part Numbers / Price Categories			
001	Burner Chassis w Air Baffle	7818 095 ^D	7818 095 ^D		
002	Blast Tube	7813 126 ^D	7813 126 ^D		
003	Access. Pack (Burner Parts)	7817 278 ⁸	7817 278 ⁸		
004	Burner Motor	7822 084 ²⁵	7822 084 ²⁵		
005	Burner Hood	7818 090 ²⁷	7818 090 ²⁷		
006	Ignition Transformer	7822 082 ¹³	7822 082 ¹³		
007 W	Burner Ctrl	7815 797 ³⁶	7815 797 ³⁶		
008	Ctrl Sub-Base	7822 080 ²⁴	7822 080 ²⁴		
009	Ionization Electrode Cable	7817 243 ⁹	7817 243 ⁹		
010	Connection Pipe	7822 088 ^D	7822 088 ^D		
011	Set Screw	7817 245 ^D	7817 245 ^D		
012 W	Burner Housing Gskt	7218 504 ⁶	7218 504 ⁶		
013	Mixer Head	7817 249 ³¹	7817 249 ³¹		
014	Air Press. Switch	7832 923 ¹⁹	7832 923 ¹⁹		
015	Air Press. Hose	7817 262 ^D	7817 262 ^D		
016	Blower Wheel	7818 081 ¹²	7818 081 ¹²		
017	Mounting Base f Air Press. Switch	7817 250 ^D	7817 250 ^D		
018	Primary Air Baffle	7816 359 ⁷	7816 359 ⁷		
020	Turbulator Disc Assly	7810 714 ⁹	7810 714 ⁹		
021	Grounding Wire	7813 536 ²	7813 536 ²		
022	Electrode Bracket	7810 590 ^D	7810 590 ^D		
023	Ignition Cable	7816 395 ⁷	7816 395 ⁷		
024	Access. Pack 1	7147 839 ⁸	7147 839 ⁸		
025	Burner Flange	7818 066 ^D	7818 066 ^D		
028 W	Ionization Electrode	7810 148 ¹²	7810 148 ¹²		
029 W	Ignition Electrode	7810 589 ⁷	7810 589 ⁷		
030 W	Grounding Electrode	7822 118 ⁷	7822 118 ⁷		
032 *2	Regulator Spring	n.a. ^{n.a.}	n.a. ^{n.a.}		
034 *2	Regulator	9549 463 ¹⁴	9549 463 ¹⁴		
036	Solenoid Valve	9560 864 ³⁰	9560 864 ³⁰		
038	Gas Valve	9556 617 ⁴¹	9556 617 ⁴¹		
040	Gasket	7088 562 ⁴	7088 562 ⁴		
042 *1	Orifice	5210 714 ^D	n.a. ^{n.a.}		
				continued on next page	

VITOFLAME 200

Vitoflame 200	VGA-50 7134 435	VGA-63 7134 436	
----------------------	---------------------------	---------------------------	--

General Info	Price List Section:	1.2
	Parts Catalog Section:	02
	Series Name:	VGA (4/2004 - present)
	Applies to serials nos. beginning with:	7134435..., 7134436...
	Accurate as of:	11/07/2012

Parts List

Please refer to: Parts List

Pos. Description Part Numbers / Price Categories

050	Install. Instr., VGA	5285 636 ^L	5285 636 ^L		
051	Start-Up/Service Instr., VGA	5285 637 ^L	5285 637 ^L		
052	Oper. Instr./User's Info, VGA	5285 638 ^L	5285 638 ^L		
053	Parts List, VGA	5285 639 ^D	5285 639 ^D		
100	FTS-4 Spill Switch Assly w Instr.	7134 437 ²⁹	7134 437 ²⁹		
101	Barometric Damper	9544 265 ²³	9544 265 ²³		
102	Gas Valve Support Bracket	9549 893 ⁹	9549 893 ⁹		

Notes:

*1 WARNING: Ensure ONLY the correct orifice listed above is installed. Do NOT overfire or underfire boiler/burner. Contact Viessmann for orifice specifications.

*2 IMPORTANT Ensure 9560 867 is sold with 9560 866.

"n.a." indicates not applicable.

"W" indicates wearing part (service).

"L" indicates literature (no charge).

"Kit" or "Other" indicates that this is not a Price Category item;

Parts List



VITOFLAME 200 VGA Series

Model No.	Serial No. *1
VGA-18	7134431□□□□□□□□□□□□□□
VGA-22	7134432□□□□□□□□□□□□□□
VGA-33	7134433□□□□□□□□□□□□□□
VGA-40	7134434□□□□□□□□□□□□□□
VGA-50	7134435□□□□□□□□□□□□□□
VGA-63	7134436□□□□□□□□□□□□□□

Please file in Service Binder

Ordering Replacement Parts:

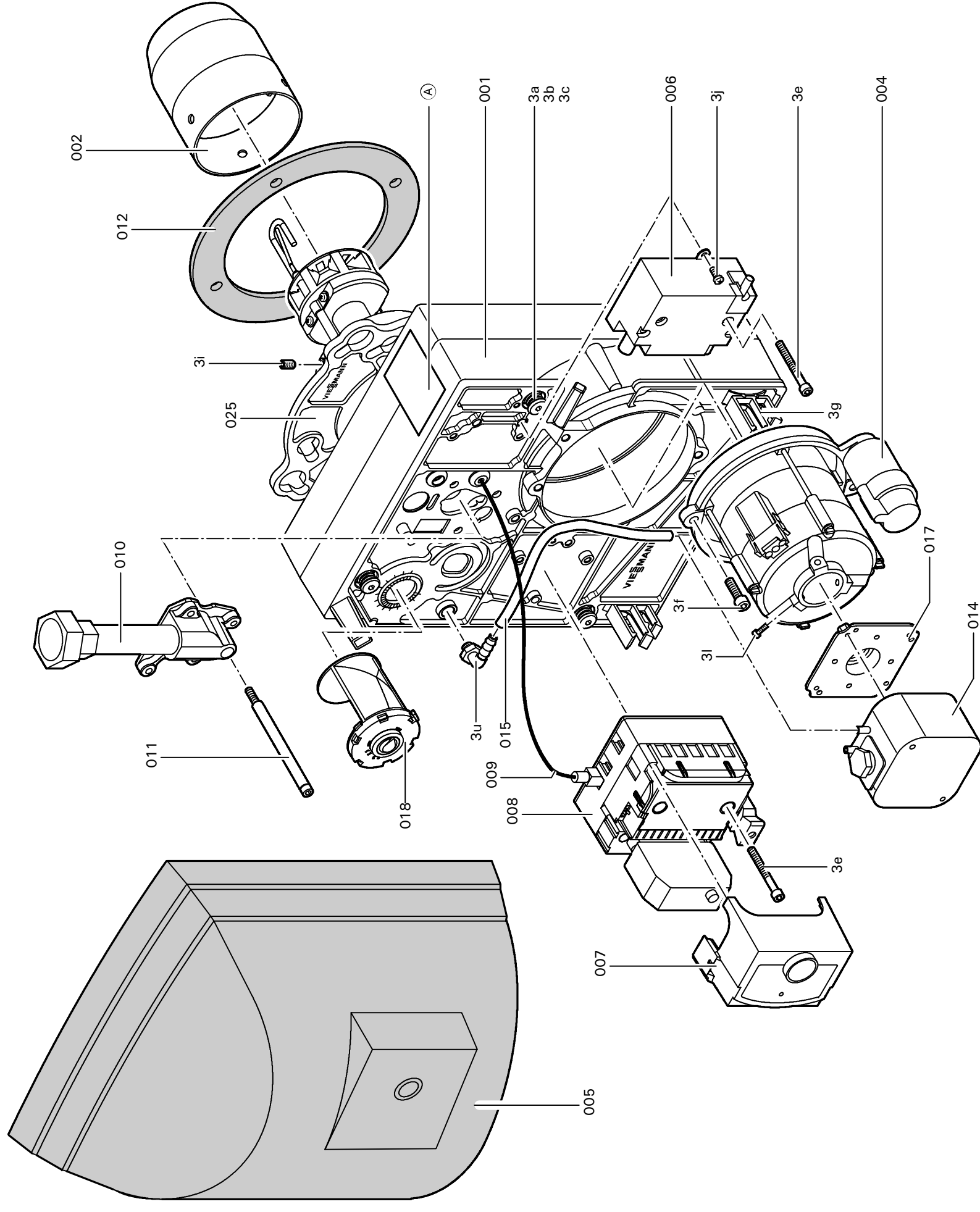
Please provide burner Model and Serial Number from rating plate when ordering replacement parts. Order replacement components from your Viessmann distributor.

Parts

- 001 Burner chassis w air baffle
- 002 Blast tube
- 003 Miscellaneous parts: see listing next page
- 004 Burner motor with capacitor
- 005 Burner hood
- 006 Ignition transformer
- 007 Burner control
- 008 Control sub-base
- 009 Ionization electrode cable
- 010 Connection pipe
- 011 Set screw
- 012 Burner housing gasket
- 014 Air pressure switch
- 015 Air pressure hose
- 017 Mounting base for air pressure switch
- 018 Primary air baffle
- 025 Burner flange

Ⓐ Rating plate

*1 A 16-digit bar-coded serial no. is printed on the Viessmann rating plate.



Vitoflame 200 VGA Series

Parts

003 Miscellaneous parts
see listing below

013 Mixer head
016 Blower wheel
020 Turbulator disc assembly
021 Grounding wire
022 Electrode bracket
023 Ignition cable

003 Miscellaneous parts include

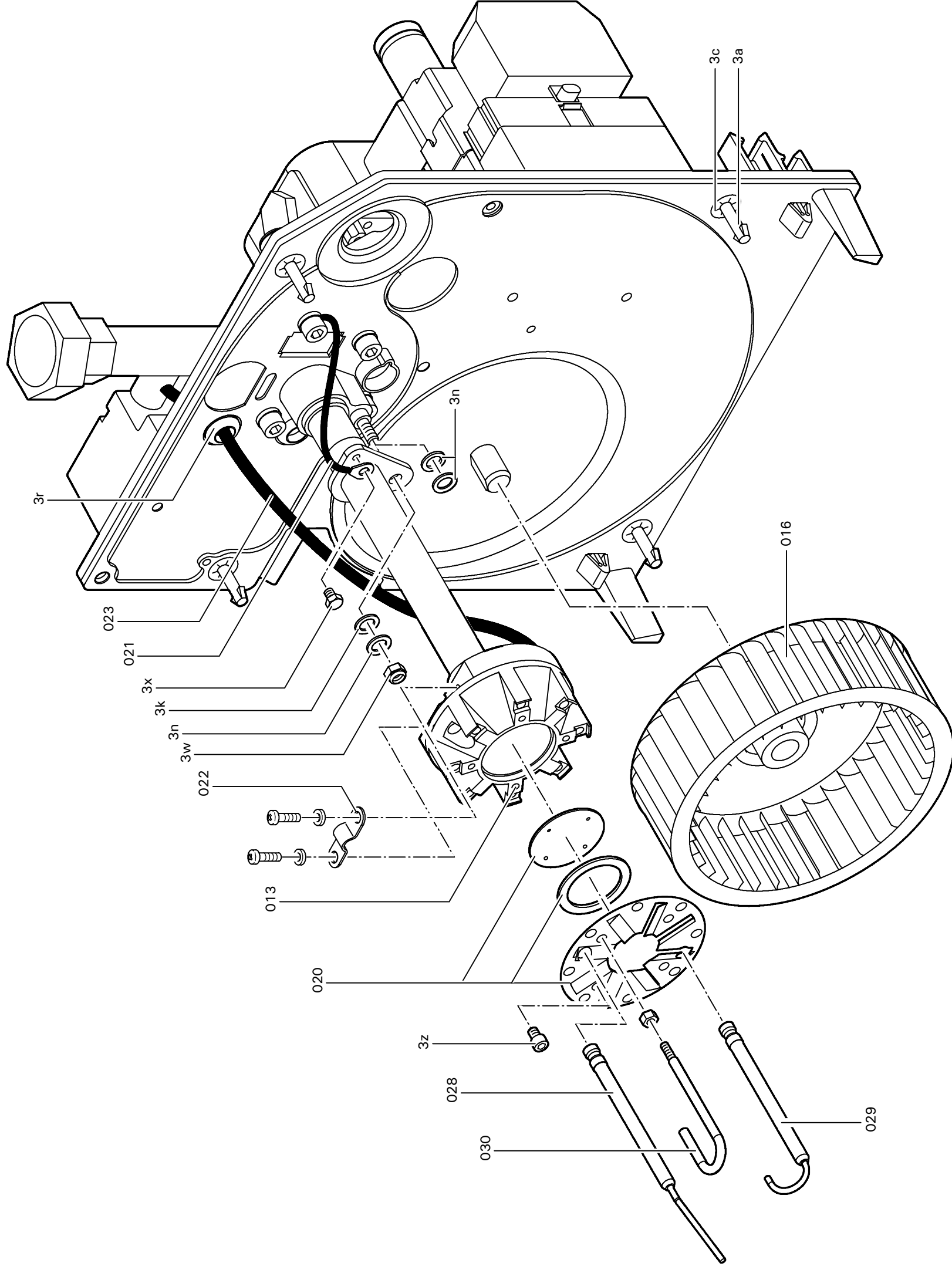
3a Quick release pin, 4mm hex
3b Quick release compression spring
3c Quick release lockwasher
3d Cylinder screw, M5 x 10
3e Cylinder screw, M5 x 45
3f Cylinder screw, M6 x 20
3g Cable clamp
3i Blast tube screw, M6 x 10
3j Machine screw, AM4 x 10-H
3k Spring washer, A5
3l Cylinder screw, M5 x 12
3m Test nipple
3n Washer, A5.3
3r Ignition cable grommet
3u Threaded adaptor
3w Hex nut, M5
3x Hex bolt, M4 x 6
3z Cylinder screw, M4 x 8

Other Parts (not illustrated)

024 Accessory pack
050 Installation Instructions
051 Start-up/Service Instructions
052 Operating Instructions and
User's Information Manual
053 Parts List
100 FTS-4 Spill switch assembly
101 Barometric damper
102 Gas valve support bracket

Wear Parts

007 Burner control
028 Ionization electrode
029 Ignition electrode
030 Grounding electrode



Vitoflame 200 VGA Series

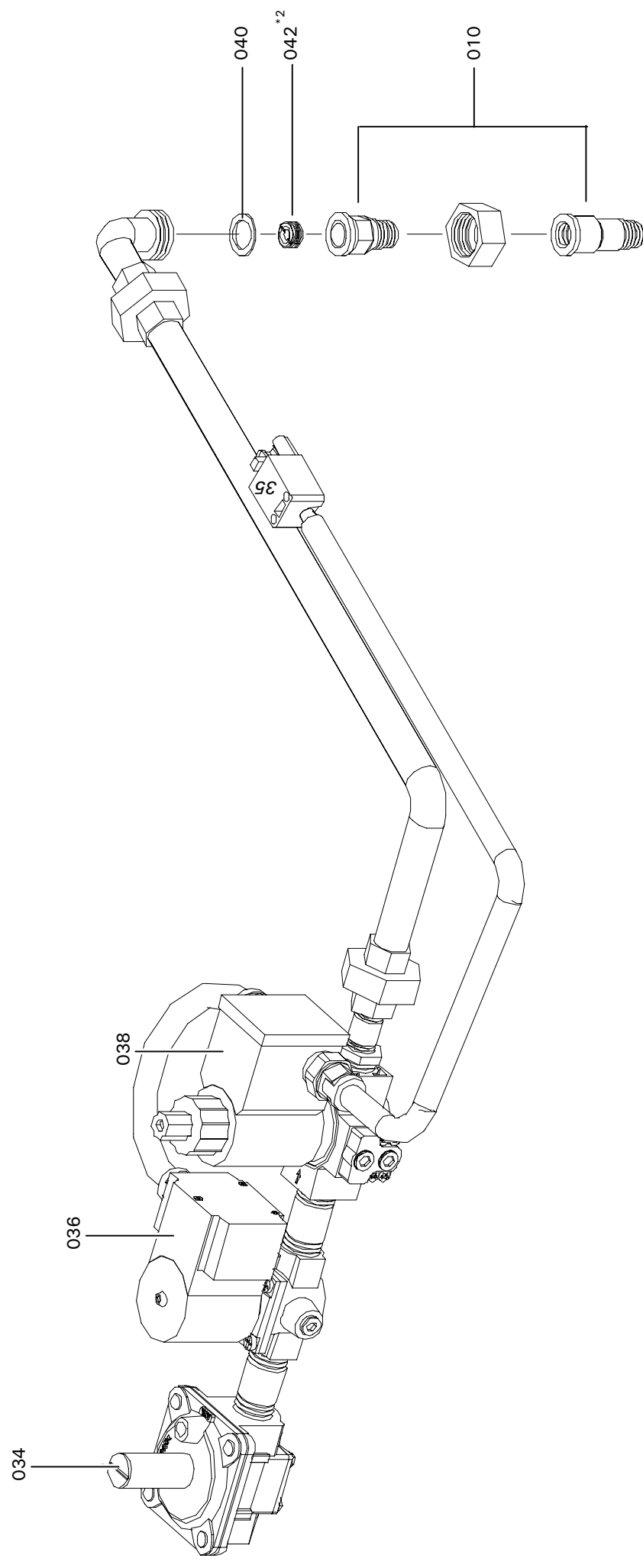
Parts

- 010 Connection Pipe
- 034 Regulator
- 036 Solenoid valve
- 038 Gas valve
- 040 Gasket
- 042 Orifice * 2

Other Parts (not illustrated)

- 032 Regulator spring
- Brown: VGA-18/22/33/40
- Silver: VGA-50/63

*2 Does not apply to VGA-63.



Viessmann Chassis Burner

Viessmann Chassis Burner	VG-G-18 7133 337	VG-G-22 7133 338	VG-G-33 7133 339	VG-G-40 7133 340
---------------------------------	----------------------------	----------------------------	----------------------------	----------------------------

General Info	Price List Section:	1.2			
	Parts Catalog Section	02			
	Series Name:	VG (Vitotec)		(10/2001 -)	
	Applies to serials nos. beginning with:	7133337...	7133338...	7133339...	7133340...
	Accurate as of:	11/13/2012			

Parts List

Please refer to: Parts List
Pos. Description

Part Numbers / Price Categories

		n.a. ^{n.a.}	n.a. ^{n.a.}	n.a. ^{n.a.}	n.a. ^{n.a.}
001	Cast Iron Fan Housing				
002	Blast Tube	7254 353 ¹⁸	7254 353 ¹⁸	7254 353 ¹⁸	7254 032 ¹⁹
005	Mixer Head	7251 841 ²⁰	7251 841 ²⁰	7251 841 ²⁰	7254 426 ²⁶
007	Air Press. Switch	7273 528 ^D	7273 528 ^D	7273 528 ^D	7273 528 ^D
008	Burner Motor w Capacitor	7218 878 ²²	7218 878 ²²	7218 878 ²²	7218 878 ²²
009	Air Press. Sensing Tube	7252 740 ⁴	7252 740 ⁴	7252 740 ⁴	7252 740 ⁴
010	Blower Wheel	7814 875 ¹¹	7814 875 ¹¹	7814 875 ¹¹	7814 879 ¹¹
012 ^{*1}	Orifice	9544 267 ^D	9544 268 ^D	9544 268 ^D	9544 269 ^D
016	Primary Air Baffle	7305 046 ⁷	7305 046 ⁷	7305 046 ⁷	7305 047 ⁸
017	Burner Hood	7819 492 ²⁴	7819 492 ²⁴	7819 492 ²⁴	7819 493 ²⁷
018	Serv. Key	7814 897 ⁶	7814 897 ⁶	7814 897 ⁶	7814 897 ⁶
022	Primary Air Adjustment Scale	5042 680 ^D	5042 680 ^D	5042 680 ^D	5042 680 ^D
028	Turbulator Disc Assly	5150 655 ⁷	5150 655 ⁷	5150 655 ⁷	5154 170 ^D
029 W	Ionization Electrode	7810 148 ¹²	7810 148 ¹²	7810 148 ¹²	7810 148 ¹²
030 W	Ignition Electrode	7810 589 ⁷	7810 589 ⁷	7810 589 ⁷	7810 589 ⁷
031 W	Fuse, 4a/250v (Pkg of 10)	7404 364 ⁶	7404 364 ⁶	7404 364 ⁶	7404 364 ⁶
032	Ignition Transformer, Gas	7812 114 ²⁰	7812 114 ²⁰	7812 114 ²⁰	7812 114 ²⁰
033 W	Burner Ctrl	7815 797 ³⁶	7815 797 ³⁶	7815 797 ³⁶	7815 797 ³⁶
034	Ctrl Sub-Base	9506 631 ²¹	9506 631 ²¹	9506 631 ²¹	9506 631 ²¹
048	Ionization Electrode Cable	7813 521 ⁹	7813 521 ⁹	7813 521 ⁹	7813 521 ⁹
053	Install. Instr. Brnr., VG ,VB2	5167 416 ^L	5167 416 ^L	5167 416 ^L	5167 416 ^L
054	Oper. Instr./User's Info Brnr., VG ,VB2	5167 418 ^L	5167 418 ^L	5167 418 ^L	5167 418 ^L
055	Start-Up/Instal. Instr. Brnr., VG ,VB2	5167 417 ^L	5167 417 ^L	5167 417 ^L	5167 417 ^L
056	Parts List Brnr., VG ,VB2	5167 419 ^L	5167 419 ^L	5167 419 ^L	5167 419 ^L
057	Manifold	7254 781 ¹²	7254 781 ¹²	7254 781 ¹²	7254 781 ¹²
058	Blast Tube Adj. Screw	5150 659 ^D	5150 659 ^D	5150 659 ^D	5150 659 ^D
068	Jumper Plug Nr. 123	7813 516 ^D	7813 516 ^D	7813 516 ^D	7813 516 ^D
069	Jumper Plug Nr. 111	7273 131 ⁶	7273 131 ⁶	7273 131 ⁶	7273 131 ⁶
072 W	Grounding Electrode	5150 657 ^D	5150 657 ^D	5150 657 ^D	5150 657 ^D
073	Grounding Wire	7813 536 ²	7813 536 ²	7813 536 ²	7813 536 ²
074	Electrode Bracket	7810 590 ^D	7810 590 ^D	7810 590 ^D	7810 590 ^D
099	Ignition Cable Set	7404 887 ¹¹	7404 887 ¹¹	7404 887 ¹¹	7404 887 ¹¹
102	Burner Housing Gskt	7218 504 ⁶	7218 504 ⁶	7218 504 ⁶	7218 504 ⁶

Viessmann Chassis Burner

Viessmann Chassis Burner	VG-G-18 7133 337	VG-G-22 7133 338	VG-G-33 7133 339	VG-G-40 7133 340
General Info	Price List Section: 1.2			
	Parts Catalog Section: 02			
	Series Name: VG (Vitotec) (10/2001 -)			
	Applies to serials nos. beginning with: 7133337... 7133338... 7133339... 7133340...			
	Accurate as of: 11/13/2012			

Parts List

Please refer to: Parts List
Pos. Description

Part Numbers / Price Categories

121	Barometric Damper	9544 264 ²¹	9544 264 ²¹	9544 264 ²¹	9544 264 ²¹
122	Harness, Gas Valve w Plug #129	7273 132 ⁸	7273 132 ⁸	7273 132 ⁸	7273 132 ⁸
123	NR 100 Plug Housing	5173 027 ^D	5173 027 ^D	5173 027 ^D	5173 027 ^D
124	Harness, Low Press. Gas Switch #130	7273 133 ^D	7273 133 ^D	7273 133 ^D	7273 133 ^D
125 ^{*2}	Gas Press. Switch, 1-20" WC Man.Res.	7133 966 ²⁸	7133 966 ²⁸	7133 966 ²⁸	7133 966 ²⁸
126	FTS-4 Spill Switch Assbly 120V w Inst	7133 288 ³⁰	7133 288 ³⁰	7133 288 ³⁰	7133 288 ³⁰
127	Gas Valve Support Bracket	9549 893 ⁹	9549 893 ⁹	9549 893 ⁹	9549 893 ⁹
128	Gas Valve NG, 1/2 x 1/2"	9542 987 ²⁵	9542 987 ²⁵	9542 987 ²⁵	9542 987 ²⁵

Notes:

*1 WARNING: Ensure ONLY the correct orifice listed above is installed. Do NOT overfire or underfire boiler/burner. Contact Viessmann for orifice specifications.

*2 IMPORTANT: Only for units equipped with 7133 966 Low Pressure Gas Switch

"n.a." indicates not applicable.

"W" indicates wearing part (service).

"L" indicates literature (no charge).

"Kit" or "Other" indicates that this is not a Price Category item; contact Inside Sales for pricing.

Viessmann Chassis Burner

Viessmann Chassis Burner	VG-G-50 7133 341	
---------------------------------	----------------------------	--

General Info	Price List Section:	1.2	
	Parts Catalog Section	02	
	Series Name:	VG (Vitotec)	(10/2001 -)
	Applies to serials nos. beginning with:	7133341...	
	Accurate as of:	11/13/2012	

Parts List

Please refer to: Parts List
Pos. Description

Part Numbers / Price Categories

Pos.	Description	Part Numbers / Price Categories			
001	Cast Iron Fan Housing	n.a.	^{n.a.}		
002	Blast Tube	7254 032	¹⁹		
005	Mixer Head	7254 426	²⁶		
007	Air Press. Switch	7273 528	^D		
008	Burner Motor w Capacitor	7218 878	²²		
009	Air Press. Sensing Tube	7252 740	⁴		
010	Blower Wheel	7814 879	¹¹		
012 *1	Orifice	9544 269	^D		
016	Primary Air Baffle	7305 047	⁸		
017	Burner Hood	7819 493	²⁷		
018	Serv. Key	7814 897	⁶		
022	Primary Air Adjustment Scale	5042 680	^D		
028	Turbulator Disc Assly	5154 170	^D		
029 W	Ionization Electrode	7810 148	¹²		
030 W	Ignition Electrode	7810 589	⁷		
031 W	Fuse, 4a/250v (Pkg of 10)	7404 364	⁶		
032	Ignition Transformer, Gas	7812 114	²⁰		
033 W	Burner Ctrl	7815 797	³⁶		
034	Ctrl Sub-Base	9506 631	²¹		
048	Ionization Electrode Cable	7813 521	⁹		
053	Install. Instr. Brnr., VG ,VB2	5167 416	^L		
054	Oper. Instr./User's Info Brnr., VG ,VB2	5167 418	^L		
055	Start-Up/Instal. Instr. Brnr., VG ,VB2	5167 417	^L		
056	Parts List Brnr., VG ,VB2	5167 419	^L		
057	Manifold	7254 781	¹²		
058	Blast Tube Adj. Screw	5150 659	^D		
068	Jumper Plug Nr. 123	7813 516	^D		
069	Jumper Plug Nr. 111	7273 131	⁶		
072 W	Grounding Electrode	5150 657	^D		
073	Grounding Wire	7813 536	²		
074	Electrode Bracket	7810 590	^D		
099	Ignition Cable Set	7404 887	¹¹		
102	Burner Housing Gskt	7218 504	⁶		

Viessmann Chassis Burner

Viessmann Chassis Burner	VG-G-50 7133 341	
---------------------------------	----------------------------	--

General Info	Price List Section: 1.2	
	Parts Catalog Section: 02	
	Series Name: VG (Vitotec)	(10/2001 -)
	Applies to serials nos. beginning with: 7133341...	
	Accurate as of: 11/13/2012	

Parts List

Please refer to: Parts List
Pos. Description

Part Numbers / Price Categories

Pos.	Description	Part Numbers	Price Categories	Price Categories	Price Categories
121	Barometric Damper	9544 265 ²³			
122	Harness, Gas Valve w Plug #129	7273 132 ⁸			
123	NR 100 Plug Housing	5173 027 ^D			
124	Harness, Low Press. Gas Switch #130	7273 133 ^D			
125 ^{*2}	Gas Press. Switch, 1-20" WC Man.Res.	7133 966 ²⁸			
126	FTS-4 Spill Switch Assbly 120V w Inst	7133 288 ³⁰			
127	Gas Valve Support Bracket	9549 893 ⁹			
128	Gas Valve NG, 1/2 x 1/2"	9542 988 ³¹			

Notes:

*1 WARNING: Ensure ONLY the correct orifice listed above is installed. Do NOT overfire or underfire boiler/burner. Contact Viessmann for orifice specifications.

*2 IMPORTANT: Only for units equipped with 7133 966 Low Pressure Gas Switch

"n.a." indicates not applicable.

"W" indicates wearing part (service).

"L" indicates literature (no charge).

"Kit" or "Other" indicates that this is not a Price Category item;

Gas Chassis Burner-V VG Series for Vitola 200

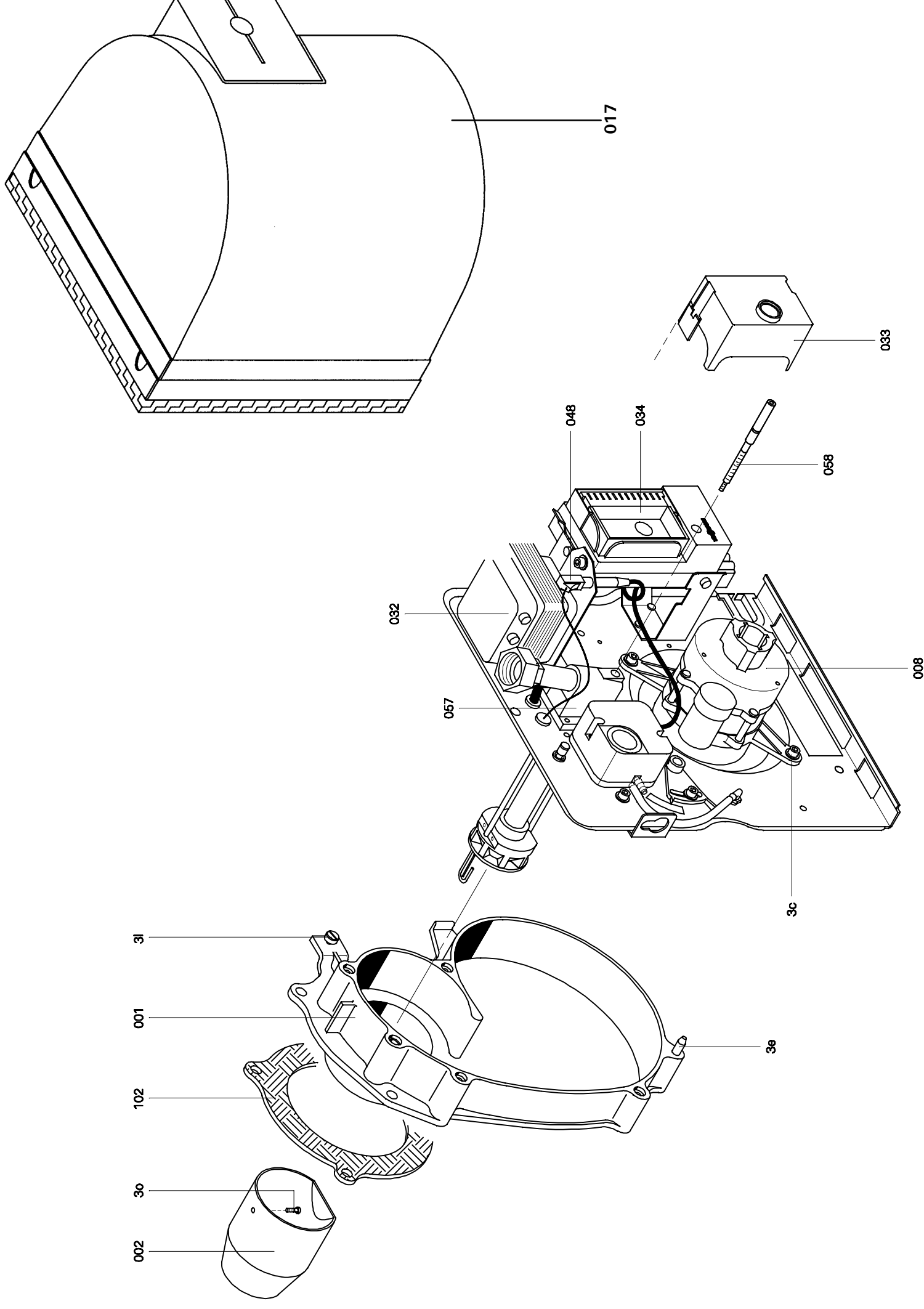
Ordering Replacement Parts:

Please provide Position No. (from this Parts List) when ordering replacement parts.

Order replacement parts from your Viessmann distributor.

Parts

- 001 Cast-iron fan housing
- 002 Blast tube
- 003 Miscellaneous parts:
see below
- 008 Burner motor with capacitor
- 015 Acoustic liner with adhesive
- 017 Burner hood
- 032 Gas ignition transformer
- 033 Burner control
- 034 Control subbase
- 048 Ionization electrode cable
- 057 Gas manifold
- 058 Combustion head adjustment screw
- 102 Burner housing gasket
- 003 Miscellaneous parts include:
 - 3a Quick release pin
 - 3b Chassis mounting bolt M6 x 16
with washer
 - 3c Adjustment screw M6 x 16
 - 3d Adjustment washer 6,4
 - 3e Burner housing guide pin
 - 3l Service support pin M6 x 3, DIN 923
 - 3n Set screw M6 x 10
 - 3o Blast tube screw M4 x 8
 - 3p Washer
 - 3r Grommet
 - 3u 90° Barbed fitting
 - 3v Lock pin
 - 3w Nut M5
 - 3x Grounding screw M4 x 6

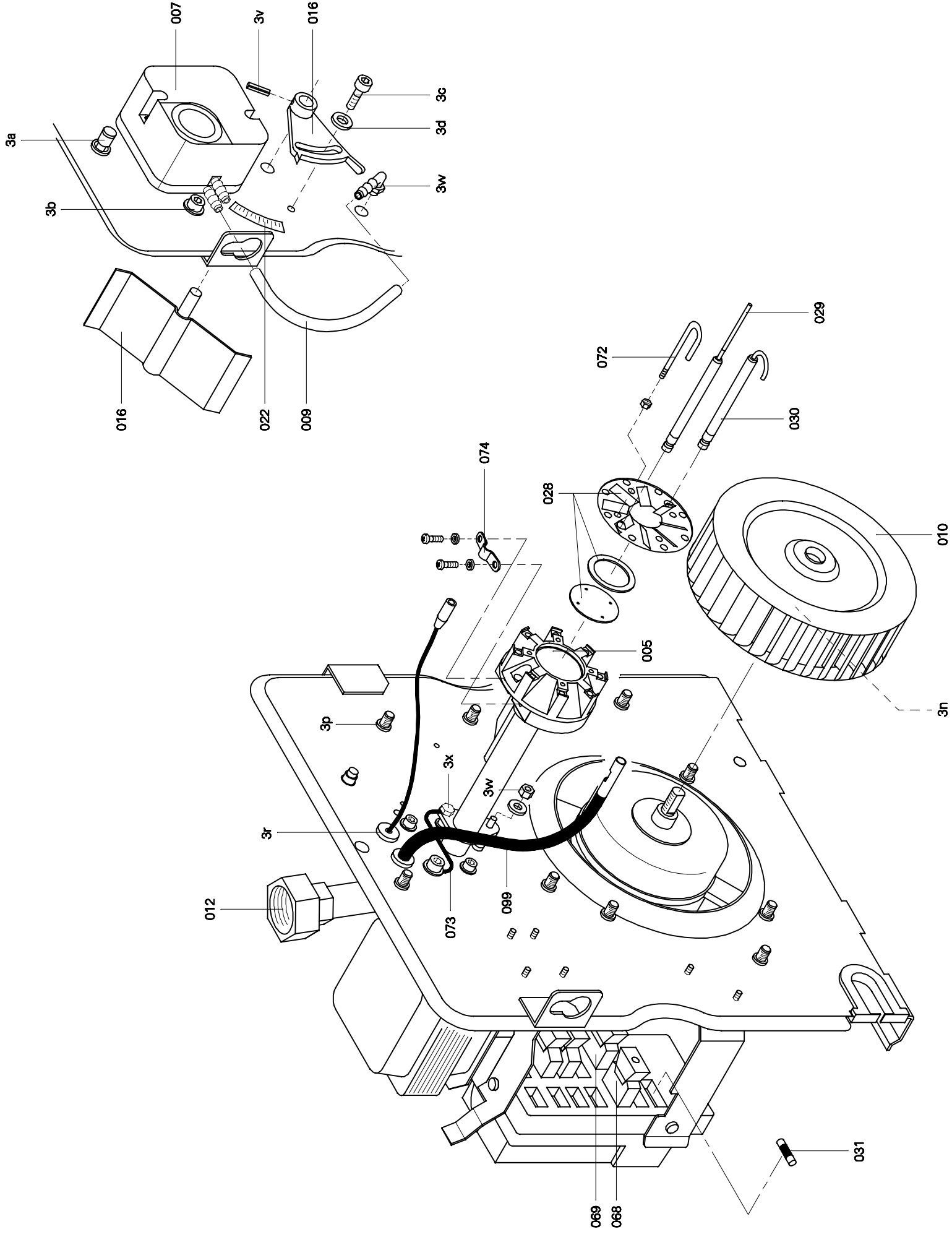


Parts

- 003 Miscellaneous parts: see below
- 005 Mixer head
- 007 Air pressure switch
- 009 Air pressure sensing tube
- 010 Blower wheel
- 012 Brass fitting with orifice
- 016 Primary air baffle
- 022 Primary air adjustment scale
- 028 Turbulator disc assembly
- 029 Ionization electrode
- 030 Ignition electrode
- 031 Fuse
- 068 123 Jumper plug
- 069 111 Jumper Plug
- 072 Grounding electrode
- 073 Grounding wire
- 074 Electrode bracket
- 099 Ignition cable set
- 003 Miscellaneous parts include:
 - 3a Quick release pin
 - 3b Chassis mounting bolt M6 x 16 with washer
 - 3c Adjustment screw M6 x 16
 - 3d Adjustment washer 6.4
 - 3e Burner housing guide pin
 - 3l Service support pin M6 x 3, DIN 923
 - 3n Set screw M6 x 10
 - 3o Blast tube screw M4 x 8
 - 3p Washer
 - 3r Grommet
 - 3u 90° Barbed fitting
 - 3v Lock pin
 - 3w Nut M5
 - 3x Grounding screw M4 x 6

Parts not illustrated:

- 018 Service key
- 053 Installation Instructions
- 054 Operating Instructions
- 055 Start-up, Maintenance, and Service Instructions
- 056 Parts List
- 126 FTS-4 spill switch
- 127 Gas valve support bracket
- 128 Gas valve, NG



VITOFROME 100

Vitofrome 100	VEM-18 7134 300	VEM-22 7134 301	VEM-33 7134 302	VEM-40 7134 303
----------------------	---------------------------	---------------------------	---------------------------	---------------------------

General Info	Price List Section:	1.2			
	Parts Catalog Section	02			
	Series Name:	VEM (8/2003 -)			
	Applies to serials nos. beginning with:	7134300...	7134301...	7134302...	7134303...
	Accurate as of:	07/01/2012			

Parts List

Please refer to: Parts List

Pos. Description Part Numbers / Price Categories

001	Blast Tube	7812 933 ²⁰	7812 933 ²⁰	7812 933 ²⁰	7811 775 ²²
002	Burner Housing Gasket	7218 504 ⁶	7218 504 ⁶	7218 504 ⁶	7218 504 ⁶
004	Burner Chassis	7818 096 ²⁴	7818 096 ²⁴	7818 096 ²⁴	7818 062 ²⁷
005	Profile Bolt	7810 200 ²	7810 200 ²	7810 200 ²	7810 200 ²
006	Burner Motor	7822 085 ²⁵	7822 085 ²⁵	7822 085 ²⁵	7822 085 ²⁵
007	Nozzle Line	7818 093 ⁷	7818 093 ⁷	7818 093 ⁷	7818 093 ⁷
008 W	Shaft Bushing	7818 092 ⁵	7818 092 ⁵	7818 092 ⁵	7818 092 ⁵
009	Burner Hood	7818 091 ²⁶	7818 091 ²⁶	7818 091 ²⁶	7818 090 ²⁷
010	Accoustic Liner c/w Adhesive	7818 089 ¹⁵	7818 089 ¹⁵	7818 089 ¹⁵	7818 088 ¹⁵
011	Reset Button Extension	7818 087 ⁵	7818 087 ⁵	7818 087 ⁵	7818 087 ⁵
012 W	Burner Control	7822 081 ²⁰	7822 081 ²⁰	7822 081 ²⁰	7822 081 ²⁰
013	Ignition Transformer	7822 083 ¹³	7822 083 ¹³	7822 083 ¹³	7822 083 ¹³
014	Burner Flange	7818 067 ¹¹	7818 067 ¹¹	7818 067 ¹¹	7818 067 ¹¹
018	Drawer Assly Adjustment	7818 083 ⁹	7818 083 ⁹	7818 083 ⁹	7818 083 ⁹
019	Blower Wheel, 133mm	7818 082 ¹⁰	7818 082 ¹⁰	7818 082 ¹⁰	7818 082 ¹⁰
020	Flexible Oil Hose Supply	7818 080 ⁸	7818 080 ⁸	7818 080 ⁸	7818 080 ⁸
021	Flexible Oil Hose Return	7827 478 ¹¹	7827 478 ¹¹	7827 478 ¹¹	7827 478 ¹¹
024	Primary Air Baffle	7822 312 ⁹	7822 312 ⁹	7822 312 ⁹	7822 312 ⁹
027	Turbulator Disc	7823 403 ¹⁵	7823 403 ¹⁵	7823 403 ¹⁵	7813 137 ¹²
028	Control Sub-Base	7820 908 ¹⁸	7820 908 ¹⁸	7820 908 ¹⁸	7820 908 ¹⁸
029 W	Cad Cell	7816 460 ⁹	7816 460 ⁹	7816 460 ⁹	7816 460 ⁹
030	Drawer Assly	7818 065 ¹²	7818 065 ¹²	7818 065 ¹²	7818 065 ¹²
033 W	Suntec Solenoid Coil, 110V	7822 087 ¹⁴	7822 087 ¹⁴	7822 087 ¹⁴	7822 087 ¹⁴
034	Suntec Solenoid Coil Nut	7815 297 ²	7815 297 ²	7815 297 ²	7815 297 ²
038	Suntec Oil Pump, 110V	7822 086 ²²	7822 086 ²²	7822 086 ²²	7822 086 ²²
039	Suntec Solenoid Shaft	7815 738 ¹³	7815 738 ¹³	7815 738 ¹³	7815 738 ¹³
042	Ignition Cable	7816 395 ⁷	7816 395 ⁷	7816 395 ⁷	7816 395 ⁷
044 W	Ignition Electrode Block	7810 713 ⁷	7810 713 ⁷	7810 713 ⁷	7810 583 ⁷
045 *1 W	Oil Nozzle	9560 846 ⁶	9560 847 ⁶	9507 363 ⁸	9542 986 ⁶
046 W	Suntec Rebuild Kit	7817 919 ⁹	7817 919 ⁹	7817 919 ⁹	7817 919 ⁹
049	Lock Mechanism f Burner Hood	7819 282 ⁵	7819 282 ⁵	7819 282 ⁵	7819 282 ⁵

VITOFLAME 100

Vitoflame 100	VEM-18 7134 300	VEM-22 7134 301	VEM-33 7134 302	VEM-40 7134 303
----------------------	---------------------------	---------------------------	---------------------------	---------------------------

General Info	Price List Section:	1.2			
	Parts Catalog Section	02			
	Series Name:	VEM (8/2003 -)			
	Applies to serials nos. beginning with:	7134300...	7134301...	7134302...	7134303...
	Accurate as of:	07/01/2012			

Parts List

Please refer to: Parts List
Pos. Description

Part Numbers / Price Categories

071	Install. Instr. Brnr., VEM f VB2	5285 462 ^L	5285 462 ^L	5285 462 ^L	5285 462 ^L
072	Start-Up/Service Instr. Brnr., VEM f VB2	5285 463 ^L	5285 463 ^L	5285 463 ^L	5285 463 ^L
073	Oper. Instr./User's Info Brnr, VEM f VB2	5285 464 ^L	5285 464 ^L	5285 464 ^L	5285 464 ^L
074	Parts List Brnr., VEM f VB2	5285 465 ^L	5285 465 ^L	5285 465 ^L	5285 465 ^L
079	Access Pack 1	7147 839 ⁸	7147 839 ⁸	7147 839 ⁸	7147 839 ⁸
080	Access Pack 2	7822 310 ¹¹	7822 310 ¹¹	7822 310 ¹¹	7822 310 ¹¹
100	Oil Filter Assly (2 Strand)	9543 012 ¹⁴	9543 012 ¹⁴	9543 012 ¹⁴	9543 012 ¹⁴
101 W	Oil Filter Cartridge (w O-Ring)	7133 088 ⁵	7133 088 ⁵	7133 088 ⁵	7133 088 ⁵
102	Barometric Damper	9544 266 ¹⁶	9544 266 ¹⁶	9544 266 ¹⁶	9544 266 ¹⁶
103	Serv. Key 4x250mm	5275 487 ⁶	5275 487 ⁶	5275 487 ⁶	5275 487 ⁶
104	Plug f Burner Chassis	7810 996 ²	7810 996 ²	7810 996 ²	7810 996 ²
105 ^{*2}	Blocked Vent Switch, Oil Vitoflame 100	7134 541 ¹⁹	7134 541 ¹⁹	7134 541 ¹⁹	7134 541 ¹⁹

Notes:

*1 WARNING: Ensure ONLY the correct nozzle listed above is installed. Do NOT overfire or underfire boiler/burner. Contact Viessmann for nozzle specifications.

*2 IMPORTANT: Only for units sold in Canada after 5/2005.

"n.a." indicates not applicable.

"W" indicates wearing part (service).

"L" indicates literature (no charge).

"Kit" or "Other" indicates that this is not a Price Category item; contact Inside Sales for pricing.

VITOFLAME 100

Vitoflame 100	VEM-50 7134 304	VEM-63 7134 305	
----------------------	---------------------------	---------------------------	--

General Info	Price List Section:	1.2	
	Parts Catalog Section	02	
	Series Name:		(8/2003 -)
	Applies to serials nos. beginning with:	7134304... 7134305...	
	Accurate as of:	07/01/2012	

Parts List

Please refer to: Parts List

Pos. Description Part Numbers / Price Categories

Pos.	Description	Part Numbers / Price Categories	Part Numbers / Price Categories	Part Numbers / Price Categories
001	Blast Tube	7811 775 ²²	7811 775 ²²	
002	Burner Housing Gasket	7218 504 ⁶	7218 504 ⁶	
004	Burner Chassis	7818 095 ²⁵	7818 095 ²⁵	
005	Profile Bolt	7810 200 ²	7810 200 ²	
006	Burner Motor	7822 085 ²⁵	7822 085 ²⁵	
007	Nozzle Line	7818 093 ⁷	7818 093 ⁷	
008 W	Shaft Bushing	7818 092 ⁵	7818 092 ⁵	
009	Burner Hood	7818 090 ²⁷	7818 090 ²⁷	
010	Accoustic Liner c/w Adhesive	7818 088 ¹⁵	7818 088 ¹⁵	
011	Reset Button Extension	7818 087 ⁵	7818 087 ⁵	
012 W	Burner Control	7822 081 ²⁰	7822 081 ²⁰	
013	Ignition Transformer	7822 083 ¹³	7822 083 ¹³	
014	Burner Flange	7818 067 ¹¹	7818 067 ¹¹	
018	Drawer Assly Adjustment	7818 083 ⁹	7818 083 ⁹	
019	Blower Wheel, 133mm	7818 081 ¹²	7818 081 ¹²	
020	Flexible Oil Hose Supply	7818 080 ⁸	7818 080 ⁸	
021	Flexible Oil Hose Return	7827 478 ¹¹	7827 478 ¹¹	
024	Primary Air Baffle	7816 359 ⁷	7816 359 ⁷	
027	Turbulator Disc	7813 137 ¹²	7813 137 ¹²	
028	Control Sub-Base	7820 908 ¹⁸	7820 908 ¹⁸	
029 W	Cad Cell	7816 460 ⁹	7816 460 ⁹	
030	Drawer Assly	7818 065 ¹²	7818 065 ¹²	
033 W	Suntec Solenoid Coil, 110V	7822 087 ¹⁴	7822 087 ¹⁴	
034	Suntec Solenoid Coil Nut	7815 297 ²	7815 297 ²	
038	Suntec Oil Pump, 110V	7822 086 ²²	7822 086 ²²	
039	Suntec Solenoid Shaft	7815 738 ¹³	7815 738 ¹³	
042	Ignition Cable	7816 395 ⁷	7816 395 ⁷	
044 W	Ignition Electrode Block	7810 583 ⁷	7810 583 ⁷	
045 *1 W	Oil Nozzle	9507 364 ⁸	9560 848 ⁶	
046 W	Suntec Rebuild Kit	7817 919 ⁹	7817 919 ⁹	
049	Lock Mechanism f Burner Hood	7819 282 ⁵	7819 282 ⁵	

VITOFLAME 100

Vitoflame 100	VEM-50 7134 304	VEM-63 7134 305	
General Info	Price List Section:	1.2	
	Parts Catalog Section	02	
	Series Name:		(8/2003 -)
	Applies to serials nos. beginning with:	7134304... 7134305...	
	Accurate as of:	07/01/2012	

Parts List

Please refer to: Parts List

Pos. Description Part Numbers / Price Categories

071	Install. Instr. Brnr., VEM f VB2	5285 462 ^L	5285 462 ^L		
072	Start-Up/Service Instr. Brnr., VEM f VB2	5285 463 ^L	5285 463 ^L		
073	Oper. Instr./User's Info Brnr, VEM f VB2	5285 464 ^L	5285 464 ^L		
074	Parts List Brnr., VEM f VB2	5285 465 ^L	5285 465 ^L		
079	Access Pack 1	n.a. ^{n.a.}	n.a. ^{n.a.}		
080	Access Pack 2	7822 310 ¹¹	7822 310 ¹¹		
100	Oil Filter Assly (2 Strand)	9543 012 ¹⁴	9543 012 ¹⁴		
101 W	Oil Filter Cartridge (w O-Ring)	7133 088 ⁵	7133 088 ⁵		
102	Barometric Damper	9544 266 ¹⁶	9544 266 ¹⁶		
103	Serv. Key 4x250mm	5275 487 ⁶	5275 487 ⁶		
104	Plug f Burner Chassis	7810 996 ²	7810 996 ²		
105 ^{*2}	Blocked Vent Switch, Oil Vitoflame 100	7134 541 ¹⁹	7134 541 ¹⁹		

Notes:

*1 WARNING: Ensure ONLY the correct nozzle listed above is installed. Do NOT overfire or underfire boiler/burner. Contact Viessmann for nozzle specifications.

*2 IMPORTANT: Only for units sold in Canada after 5/2005.

"n.a." indicates not applicable.

"W" indicates wearing part (service).

"L" indicates literature (no charge).

"Kit" or "Other" indicates that this is not a Price Category item;

Parts List

VISSMANN

VITOFLAME 100 VEM Series

Part Nos. 7134 300 - 7134 305

Please file in Service Binder

Ordering Replacement Parts:

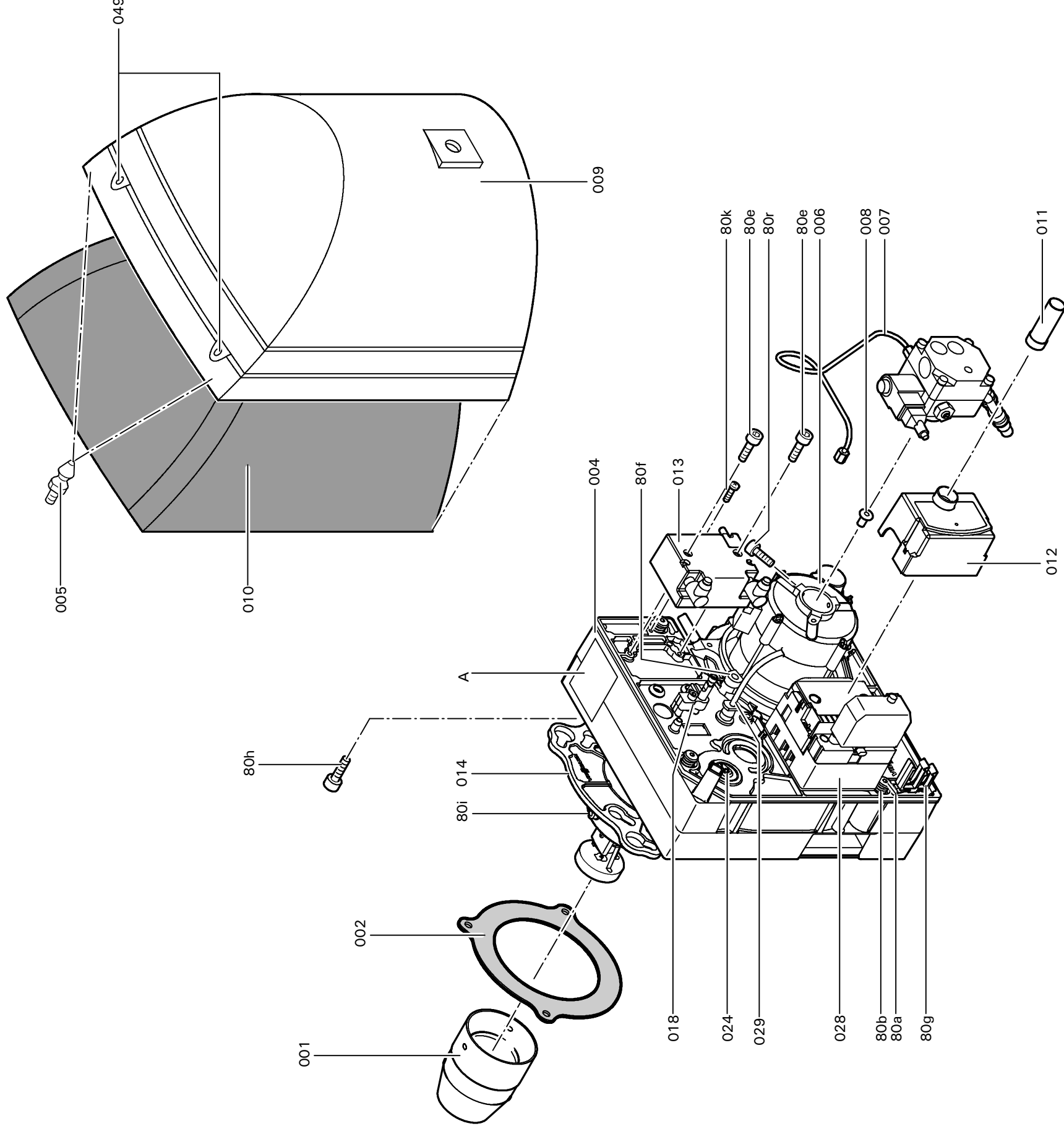
Please provide boiler Model and Serial Number from rating plate when ordering replacement parts. Order replacement components from your Viessmann distributor.

Parts

- 001 Blast tube
- 002 Burner housing gasket
- 004 Burner chassis
- 005 Profile bolt
- 006 Burner motor, 120VAC
- 007 Nozzle line
- 009 Burner hood
- 010 Acoustic liner with adhesive
- 011 Reset button extension
- 012 Burner primary ignition control
- 013 Ignition transformer, oil
- 014 Burner flange
- 018 Drawer assembly adjustment
- 024 Primary air baffle
- 028 Control sub-base
- 029 Cad cell
- 049 Lock mechanism
- 080 Miscellaneous parts, including:
 - 80a Locking pin, Allen head 4mm
 - 80b Pressure spring for locking pin
 - 80c Lock washer for locking pin
 - 80d Allen bolt, M5x10
 - 80e Allen bolt, M5x45
thread length 30mm
 - 80f Allen bolt, M6x20
 - 80g Line clip
 - 80h Allen bolt, M6x30
 - 80i Lock pin, M6x10
 - 80k Pan head screw, AM4x10H
 - 80l Spring washer, A5
 - 80m O-Ring, 19x25
 - 80r Pan head screw, M5x12
- Wear Parts**
 - 008 Shaft bushing

5285 465 9/2003

(A) Rating Plate

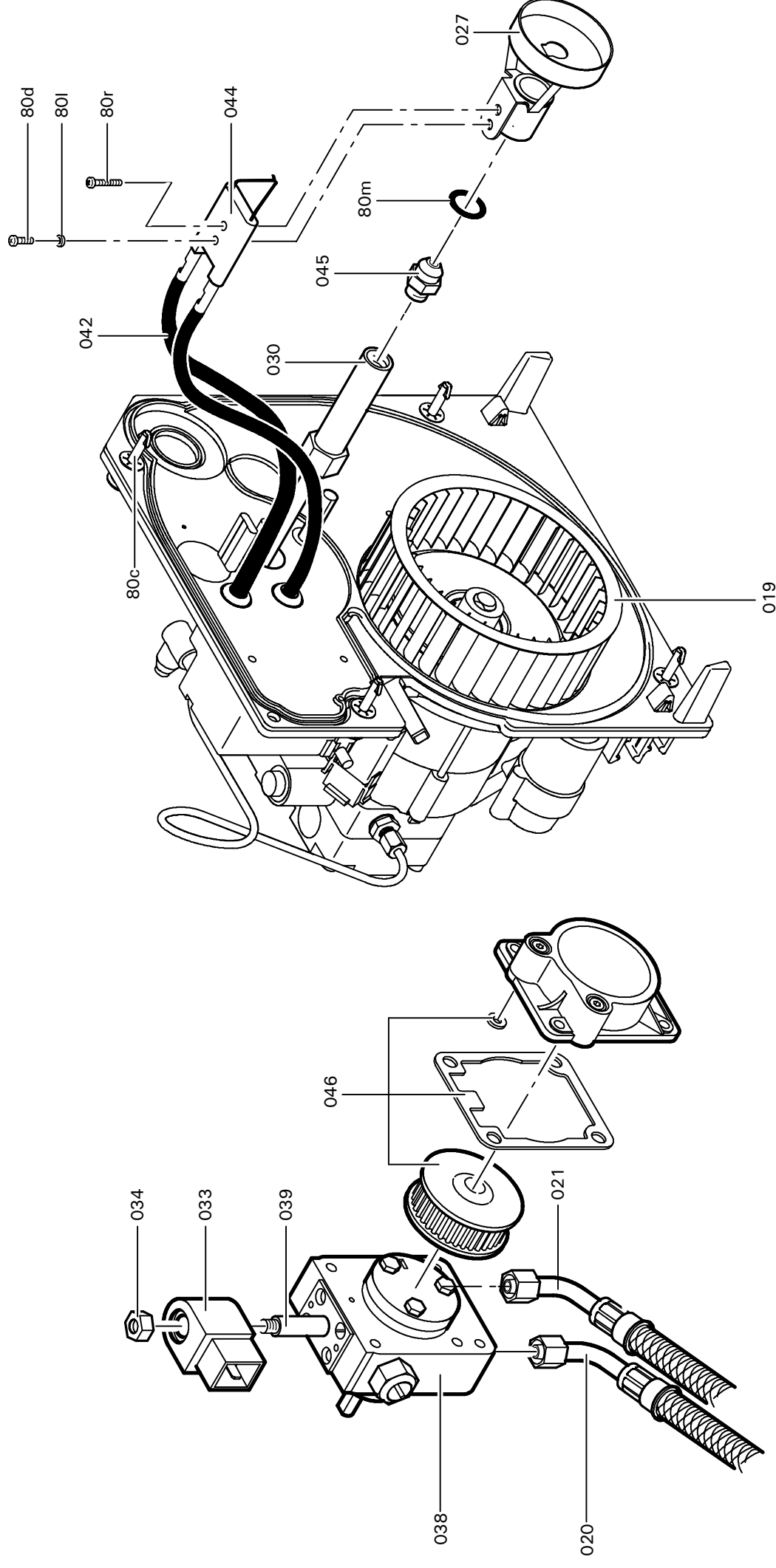


- Parts**
- 019 Blower wheel, 133mm
 - 020 Flexible oil hose supply
 - 021 Flexible oil hose return
 - 027 Turbulator disc
 - 030 Drawer assembly, oil
 - 033 Suntec solenoid coil, 110VAC
 - 034 Suntec solenoid coil nut
 - 038 Suntec oil pump, 120VAC
 - 039 Suntec solenoid shaft
 - 042 Ignition cable

- 080 Miscellaneous parts, including:
- 80a Locking pin, Allen head 4mm
- 80b Pressure spring for locking pin
- 80c Lock washer for locking pin
- 80d Allen bolt, M5x10
- 80e Allen bolt, M5x45
thread length 30mm
- 80f Allen bolt, M6x20
- 80g Line clip
- 80h Allen bolt, M6x30
- 80i Lock pin, M6x10
- 80k Pan head screw, AM4x10H
- 80l Spring washer, A5
- 80m O-Ring, 19x25
- 80r Pan head screw, M5x12

- Parts (not illustrated)**
- 071 Installation Instructions
 - 072 Start-up/Service Instructions
 - 073 Operating Instructions
& User's Information Manual
 - 074 Parts List
 - 079 Accessory Pack

- Wear Parts**
- 044 Ignition electrode block
 - 045 Oil nozzle
 - 046 Suntec rebuild kit
 - 101 Oil filter cartridge
(with O-Ring)



Viessmann Chassis Burner

Viessmann Chassis Burner	VEC-0-18	VEC-0-22	VEC-0-33	VEC-0-40
--------------------------	----------	----------	----------	----------

General Info	Price List Section:			
	Parts Catalog Section: 02			
	Series Name: VEC (Vitotec) (10/2001 - 7/2003)			
	Applies to serials nos. beginning with: 7133347... 7133348... 7133349... 7133350...			
	Accurate as of: 07/01/2012			

Parts List

Please refer to: Parts List
Pos. Description

Part Numbers / Price Categories

Pos.	Description	7812 933 ²⁰	7812 933 ²⁰	7812 933 ²⁰	7072 533 ²²
002	Blast Tube	7812 933 ²⁰	7812 933 ²⁰	7812 933 ²⁰	7072 533 ²²
005	Secondary Air Adjustment	5068 708 ³	5068 708 ³	5068 708 ³	5068 708 ³
008	Burner Motor w Capacitor	7218 877 ²²	7218 877 ²²	7218 877 ²²	7218 877 ²²
009	Nozzle Line	7812 755 ⁷	7812 755 ⁷	7812 755 ⁷	7812 755 ⁷
010	Blower Wheel	7814 875 ¹¹	7814 875 ¹¹	7814 875 ¹¹	7814 879 ¹¹
011 W	Shaft Bushing	7218 426 ⁵	7218 426 ⁵	7218 426 ⁵	7218 426 ⁵
012	Flexible Oil Hose Return (BLUE)	7814 876 ⁸	7814 876 ⁸	7814 876 ⁸	7814 876 ⁸
013	Flexible Oil Hose Supply (RED)	7814 886 ⁸	7814 886 ⁸	7814 886 ⁸	7814 886 ⁸
014	Brass Adaptor f Oil Hose	9500 151 ⁴	9500 151 ⁴	9500 151 ⁴	9500 151 ⁴
015	Washer (Copper)	9500 339 ³	9500 339 ³	9500 339 ³	9500 339 ³
016	Primary Air Baffle	7305 046 ⁷	7305 046 ⁷	7305 046 ⁷	7305 047 ⁸
017	Burner Hood	7819 492 ²⁴	7819 492 ²⁴	7819 492 ²⁴	7819 493 ²⁷
018	Serv. Key	7814 897 ⁶	7814 897 ⁶	7814 897 ⁶	7814 897 ⁶
019	Cad Cell Bracket	9500 154 ²	9500 154 ²	9500 154 ²	9500 154 ²
022	Primary Air Adjustment Scale	5042 680 ¹	5042 680 ¹	5042 680 ¹	5042 680 ¹
027	Drawer Assly	7254 771 ¹¹	7254 771 ¹¹	7254 771 ¹¹	7254 486 ¹²
028	Turbulator Disc	7813 133 ¹¹	7813 133 ¹¹	7813 133 ¹¹	7813 137 ¹²
029 W	Ignition Electrode Block	7810 713 ⁷	7810 713 ⁷	7810 713 ⁷	7810 713 ⁷
031 *1	Oil Nozzle	9517 226 ⁸	9501 756 ⁸	9507 363 ⁸	9542 986 ⁶
032	Ignition Transformer, Oil	7812 113 ¹⁹	7812 113 ¹⁹	7812 113 ¹⁹	7812 113 ¹⁹
033 W	Burner Ctrl	7815 798 ²⁰	7815 798 ²⁰	7815 798 ²⁰	7815 798 ²⁰
034	Ctrl Sub-Base, VEC w Jmpr Plug	9506 616 ²²	9506 616 ²²	9506 616 ²²	9506 616 ²²
035 W	Cad Cell w Plug Nr. 124	7813 558 ⁹	7813 558 ⁹	7813 558 ⁹	7813 558 ⁹
046	O-Ring 19 x 2.5	9504 738 ²	9504 738 ²	9504 738 ²	9504 738 ²
053	Install. Instr. Brnr., VEC ,VB2	5167 411 ^L	5167 411 ^L	5167 411 ^L	5167 411 ^L
054	Oper. Instr./User's Info Brnr., VEC ,VB2	5167 413 ^L	5167 413 ^L	5167 413 ^L	5167 413 ^L
055	Start-Up/Instal. Instr. Brnr., VEC ,VB2	5167 412 ^L	5167 412 ^L	5167 412 ^L	5167 412 ^L
056	Parts List Brnr., VEC ,VB2	5167 414 ^L	5167 414 ^L	5167 414 ^L	5167 414 ^L
060	Oil Nozzle Check Valve	9503 287 ⁴	9503 287 ⁴	9503 287 ⁴	9503 287 ⁴
061 W	Rebuild Kit (Suntec)	7817 919 ⁹	7817 919 ⁹	7817 919 ⁹	7817 919 ⁹
064 W	Solenoid Coil 110V (Suntec)	7822 087 ¹⁴	7822 087 ¹⁴	7822 087 ¹⁴	7822 087 ¹⁴
065	Solenoid Coil Nut (Suntec)	9507 454 ²	9507 454 ²	9507 454 ²	9507 454 ²
067	Solenoid Coil Cable, Nr.35	7404 207 ⁷	7404 207 ⁷	7404 207 ⁷	7404 207 ⁷
081	Jumper Plug Nr. 121	7814 337 ⁶	7814 337 ⁶	7814 337 ⁶	7814 337 ⁶
082 W	Fuse, 4A (Pkg of 10)	7404 364 ⁶	7404 364 ⁶	7404 364 ⁶	7404 364 ⁶
090	Oil Pump 120V (Suntec)	7822 086 ²²	7822 086 ²²	7822 086 ²²	7822 086 ²²
099	Ignition Cable Set	7404 887 ¹¹	7404 887 ¹¹	7404 887 ¹¹	7404 887 ¹¹
109	Burner Housing Gskt	7218 504 ⁶	7218 504 ⁶	7218 504 ⁶	7218 504 ⁶
120	Cast Iron Fan Housing	n.a. ^{n.a.}	n.a. ^{n.a.}	n.a. ^{n.a.}	n.a. ^{n.a.}

Viessmann Chassis Burner

Viessmann Chassis Burner	VEC-0-18	VEC-0-22	VEC-0-33	VEC-0-40
---------------------------------	-----------------	-----------------	-----------------	-----------------

General Info Price List Section:
 Parts Catalog Section: 02
 Series Name: VEC (Vitotec) (10/2001 - 7/2003)
 Applies to serials nos. beginning with: 7133347... 7133348... 7133349... 7133350...
 Accurate as of: 07/01/2012

Parts List

Please refer to: Parts List

Pos. Description Part Numbers / Price Categories

121	Barometric Damper, 6" M Oil	9544 266 ¹⁶	9544 266 ¹⁶	9544 266 ¹⁶	9544 266 ¹⁶
121	Flare Fitting, 3/8" BSPT	9543 003 ²	9543 003 ²	9543 003 ²	9543 003 ²
122 W	Oil Filter Cartridge (w O-Ring)	7133 088 ⁵	7133 088 ⁵	7133 088 ⁵	7133 088 ⁵
122	Oil Filter Tee Assly	7133 051 ¹⁰	7133 051 ¹⁰	7133 051 ¹⁰	7133 051 ¹⁰
123	Oil Filter Assly (2 Strand)	9543 012 ¹⁴	9543 012 ¹⁴	9543 012 ¹⁴	9543 012 ¹⁴

Notes:

*1 WARNING: Ensure ONLY the correct nozzle listed above is installed. Do NOT overfire or underfire boiler/burner. Contact Viessmann for nozzle specifications.

"n.a." indicates not applicable.

"W" indicates wearing part (service).

"L" indicates literature (no charge).

"Kit" or "Other" indicates that this is not a Price Category item; contact Inside Sales for pricing.

Viessmann Chassis Burner

Viessmann Chassis Burner	VEC-0-50	
---------------------------------	-----------------	--

General Info	Price List Section:		
	Parts Catalog Section:	02	
	Series Name:	VEC (Vitotec)	(10/2001 - 7/2003)
	Applies to serials nos. beginning with:	7133351...	
	Accurate as of:	07/01/2012	

Parts List

Please refer to: Parts List
Pos. Description

Part Numbers / Price Categories

Pos.	Description	Part Numbers / Price Categories			
002	Blast Tube	7072 533 ²²			
005	Secondary Air Adjustment	5068 708 ³			
008	Burner Motor w Capacitor	7218 877 ²²			
009	Nozzle Line	7812 755 ⁷			
010	Blower Wheel	7814 879 ¹¹			
011 W	Shaft Bushing	7218 426 ⁵			
012	Flexible Oil Hose Return (BLUE)	7814 876 ⁸			
013	Flexible Oil Hose Supply (RED)	7814 886 ⁸			
014	Brass Adaptor f Oil Hose	9500 151 ⁴			
015	Washer (Copper)	9500 339 ³			
016	Primary Air Baffle	7305 047 ⁸			
017	Burner Hood	7819 493 ²⁷			
018	Serv. Key	7814 897 ⁶			
019	Cad Cell Bracket	9500 154 ²			
022	Primary Air Adjustment Scale	5042 680 ¹			
027	Drawer Assly	7254 486 ¹²			
028	Turbulator Disc	7813 137 ¹²			
029 W	Ignition Electrode Block	7810 713 ⁷			
031 *1	Oil Nozzle	9507 364 ⁸			
032	Ignition Transformer, Oil	7812 113 ¹⁹			
033 W	Burner Ctrl	7815 798 ²⁰			
034	Ctrl Sub-Base, VEC w Jmpr Plug	9506 616 ²²			
035 W	Cad Cell w Plug Nr. 124	7813 558 ⁹			
046	O-Ring 19 x 2.5	9504 738 ²			
053	Install. Instr. Brnr., VEC ,VB2	5167 411 ^L			
054	Oper. Instr./User's Info Brnr., VEC ,VB2	5167 413 ^L			
055	Start-Up/Instal. Instr. Brnr., VEC ,VB2	5167 412 ^L			
056	Parts List Brnr., VEC ,VB2	5167 414 ^L			
060	Oil Nozzle Check Valve	9503 287 ⁴			
061 W	Rebuild Kit (Suntec)	7817 919 ⁹			
064 W	Solenoid Coil 110V (Suntec)	7822 087 ¹⁴			
065	Solenoid Coil Nut (Suntec)	9507 454 ²			
067	Solenoid Coil Cable, Nr.35	7404 207 ⁷			
081	Jumper Plug Nr. 121	7814 337 ⁶			
082 W	Fuse, 4A (Pkg of 10)	7404 364 ⁶			
090	Oil Pump 120V (Suntec)	7822 086 ²²			
099	Ignition Cable Set	7404 887 ¹¹			
109	Burner Housing Gskt	7218 504 ⁶			
120	Cast Iron Fan Housing	n.a. ^{n.a.}			

Viessmann Chassis Burner

Viessmann Chassis Burner	VEC-0-50	
---------------------------------	-----------------	--

General Info	Price List Section:		
	Parts Catalog Section:	02	
	Series Name:	VEC (Vitotec)	(10/2001 - 7/2003)
	Applies to serials nos. beginning with:	7133351...	
	Accurate as of:	07/01/2012	

Parts List

Please refer to: Parts List

Pos. Description Part Numbers / Price Categories

121	Barometric Damper, 6" M Oil	9544 266 ¹⁶			
121	Flare Fitting, 3/8" BSPT	9543 003 ²			
122 W	Oil Filter Cartridge (w O-Ring)	7133 088 ⁵			
122	Oil Filter Tee Assly	7133 051 ¹⁰			
123	Oil Filter Assly (2 Strand)	9543 012 ¹⁴			

Notes:

*1 WARNING: Ensure ONLY the correct nozzle listed above is installed. Do NOT overfire or underfire boiler/burner. Contact Viessmann for nozzle specifications.

"n.a." indicates not applicable.

"W" indicates wearing part (service).

"L" indicates literature (no charge).

"Kit" or "Other" indicates that this is not a Price Category item;

Oil Chassis Burner-V VEC Series for Vitola 200

Please file in Service Binder

Ordering Replacement Parts:

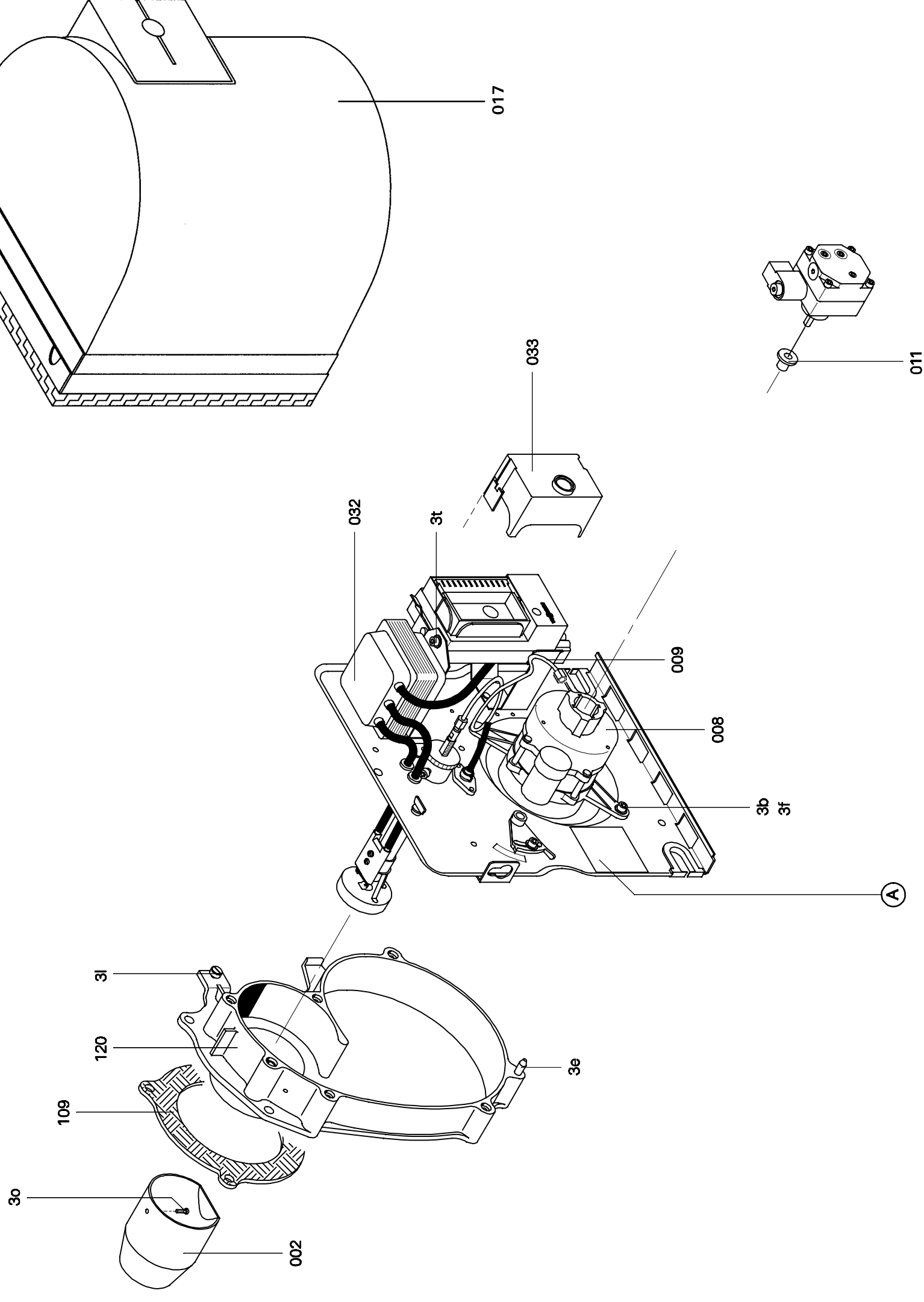
Please provide Position No. (from this Parts List) when ordering replacement parts.

Order replacement parts from your Viessmann distributor.

Parts

- 002 Blast tube
- 003 Miscellaneous parts: see separate listing below
- 008 Motor and capacitor
- 009 Nozzle line
- 011 Shaft bushing
- 017 Burner hood with acoustic liner
- 032 Burner control (for oil)
- 033 Oil primary ignition control
- 109 Burner housing gasket $\varnothing 182 \times 130 \times 3$
- 120 Cast-iron fan housing
- 003 Miscellaneous parts include:
 - 3a Quick release pin
 - 3b Chassis mounting bolt M 6 x 16
 - 3c Adjustment screw M 6 x 16
 - 3d Adjustment washer 6.4
 - 3e Burner housing guide pin
 - 3f Wave washer A 6
 - 3g Nozzle line/pump adaptor
 - 3h Packing ring 10 x 14 x 1.5 Cu
 - 3k Washer 8.4
 - 3l Service support pin M 6 x 3, DIN 923
 - 3m Electrode screw M 5 x 12 with washer 5.3
 - 3n Set screw M 6 x 10
 - 3o Blast tube screw M 4 x 8
 - 3p Electrode screw M 5 x 16
 - 3r Grommet
 - 3s Set screw M 6 x 10 with stud
 - 3t Lock stud M 6 x 12
 - 3u Lock pin

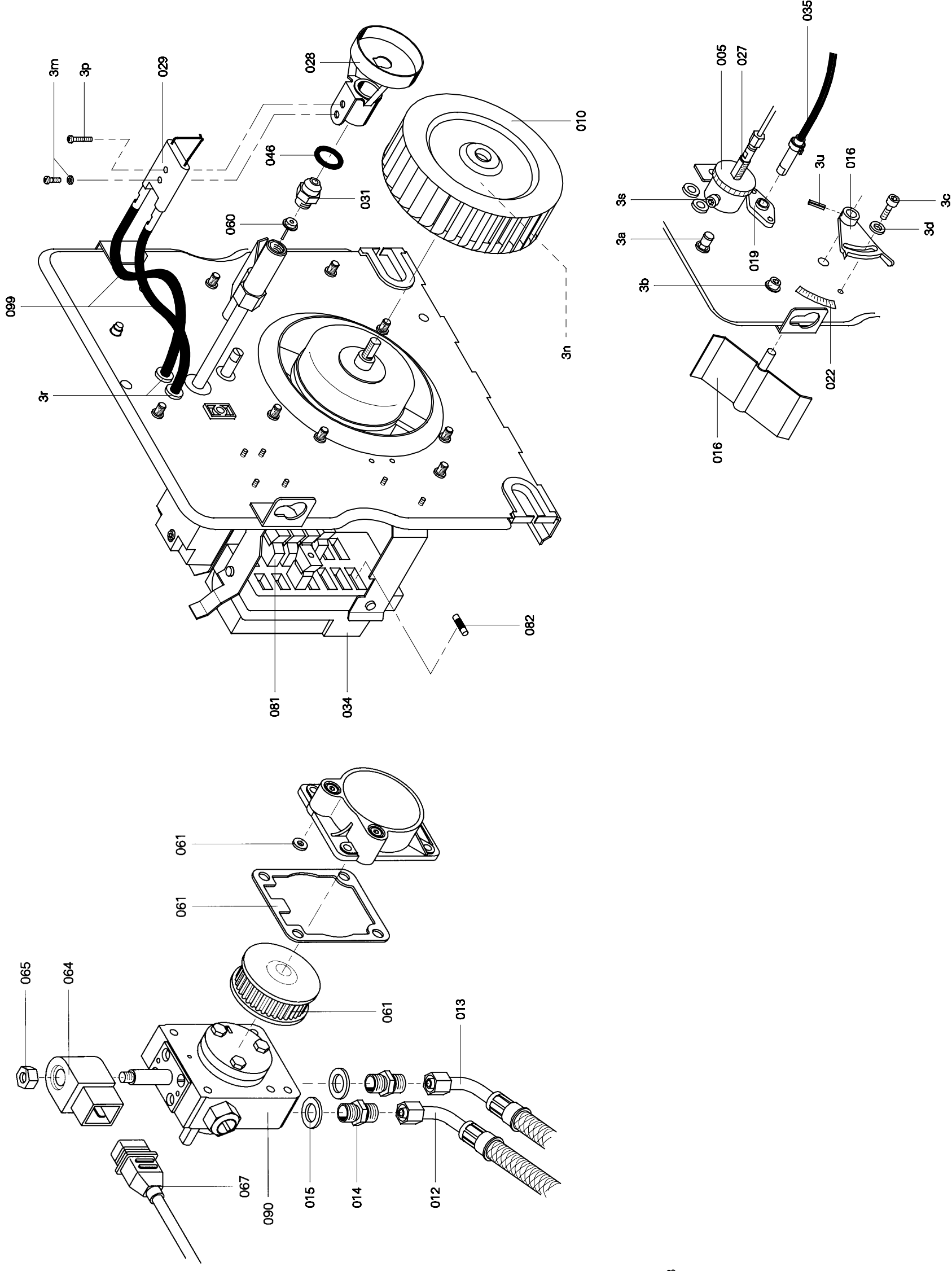
Ⓐ Rating plate



- Parts**
- 003 Miscellaneous parts: see separate listing below
 - 005 Secondary air adjustment
 - 010 Blower wheel
 - 012 Flexible oil hose return (blue)
 - 013 Flexible oil hose supply (red)
 - 014 Brass adaptor for oil hose
 - 015 Washer, Cu
 - 016 Primary air baffle
 - 019 CAD cell bracket
 - 022 Primary air adjustment scale
 - 027 Drawer assembly
 - 028 Turbulator
 - 029 Ignition electrode block
 - 031 Oil nozzle
 - 034 Control subbase
 - 035 CAD cell
 - 046 O-Ring 19×2.5
 - 060 Oil nozzle check valve
 - 061 Suntec rebuild kit
 - 064 Suntec solenoid coil
 - 065 Suntec solenoid coil nut
 - 067 Solenoid coil cable
 - 081 Jumper plug No. 121
 - 082 Fuse T 4A/250V
 - 090 Suntec oil pump
 - 099 Ignition cable set

- 003 Miscellaneous parts include:
- 3a Quick release pin
- 3b Chassis mounting bolt M 6×16
- 3c Adjustment screw M 6×16
- 3d Adjustment washer 6.4
- 3e Burner housing guide pin
- 3f Wave washer A 6
- 3g Nozzle line/pump adaptor
- 3h Packing ring 10×14×1.5 Cu
- 3k Washer 8.4
- 3l Service support pin M 6×3, DIN 923
- 3m Electrode screw M 5×12 with washer 5.3
- 3n Set screw M 6×10
- 3o Blast tube screw M 4×8
- 3p Electrode screw M 5×16
- 3r Grommet
- 3s Set screw M 6×10 with stud
- 3t Lock stud M 6×12
- 3u Lock pin

- Parts not illustrated:
- 018 Service key
 - 053 Installation Instructions
 - 054 Operating Instructions
 - 055 Start-up, Maintenance, and Service Instructions
 - 056 Parts List



Oil Filter	Felt Insert, 50-75µm	Sintered Plastic Insert, 50-75µm	
------------	-------------------------	---	--

General Info Price List Section:
 Parts Catalog Section: 02
 Series Name: Oventrop (1/1990 - present)
 Applies to serials nos. beginning with:
 Accurate as of: 07/01/2012

Parts List

Please refer to: Parts List

Pos. Description Part Numbers / Price Categories

001	Oil Filter Assly (2 Strand) with Felt Insert	9543 012 ¹⁴			
002	Brass Nut	n.a. ^{n.a.}			
003	Clear Plastic Cup	n.a. ^{n.a.}			
004	Oil Filter Insert (w O-Ring)	7133 088 ⁵	7439 226 ⁶		
005	O-Ring (f Oil Filter)	9532 954 ³			
006	Oil Filter Tee Assly VEM/Riello	7133 051 ¹⁰			
007	Flare Nuts	n.a. ^{n.a.}			
008	Filter Adaptors	n.a. ^{n.a.}			
009	Wall-Mount Bracket	n.a. ^{n.a.}			
100	Parts List, Oil Filter Assembly	5167 206 ^L			

Notes:

- "n.a." indicates not applicable.
- "W" indicates wearing part (service).
- "L" indicates literature (no charge).
- "Kit" or "Other" indicates that this is not a Price Category item; contact Inside Sales for pricing.

Parts List

2-Strand Oil Filter Assembly, 9543 012

Replacement Filter Inserts:
7133 088 felt insert, 50-75µm
7439 226 sintered plastic insert, 50-75µm

Ordering Replacement Parts:
Order replacement components from your Viessmann distributor.

Parts

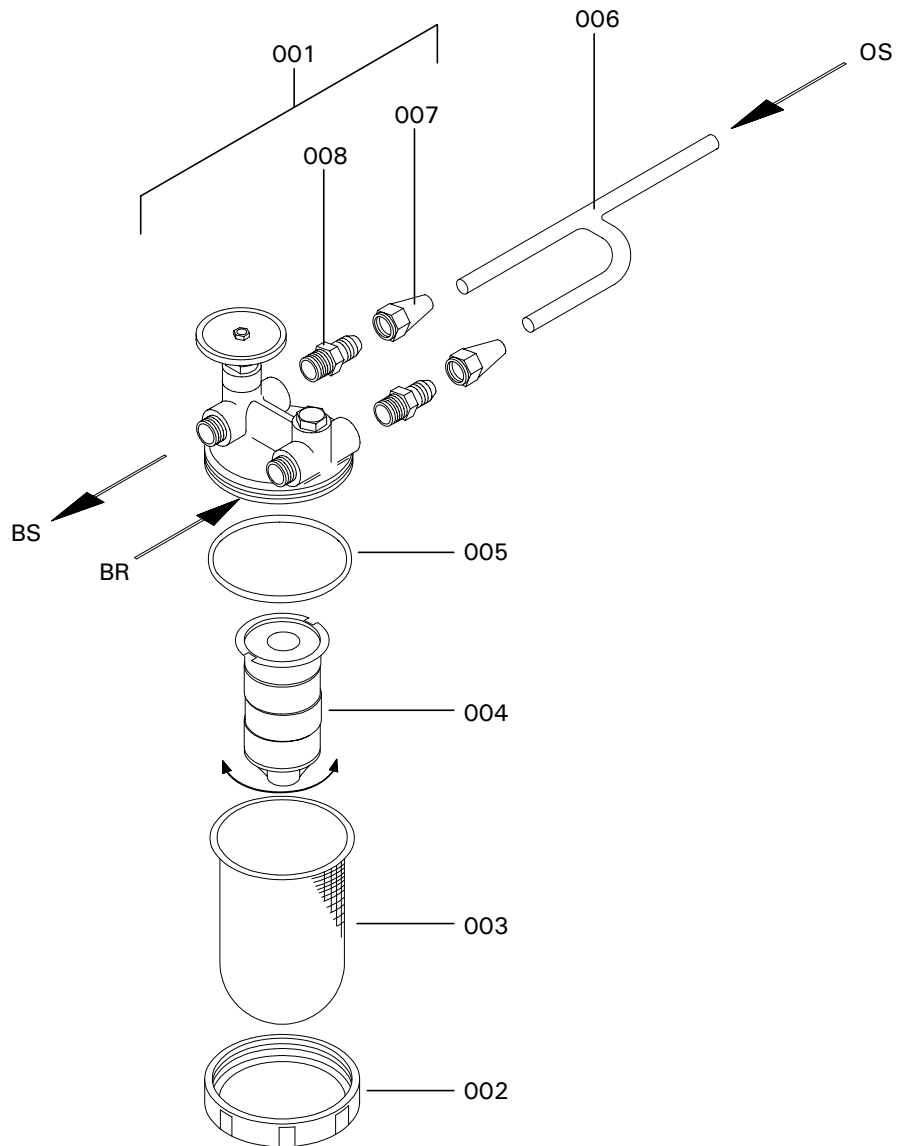
- 001 Oil filter assembly (2 strand) with filter insert
- 002 Brass nut
- 003 Clear plastic cup
- 004 Oil filter insert with O-ring
- 005 O-ring
- 006 Oil filter tee assembly (optional)
- 007 Flare nuts
- 008 Filter adaptors
- 009 Wall-mount bracket

Other Parts (not illustrated)
100 Parts List

- OS Oil supply
- BS Burner oil supply via flexible oil line (red braided stripe)
- BR Burner oil return via flexible oil line (blue braided stripe)

When replacing filter insert:

1. Electrically disconnect boiler and burner.
2. Close oil supply valve on oil filter.
3. Place pail below filter housing.
4. Loosen brass nut and remove plastic cup.
5. Remove O-ring and discard.
6. Twist filter insert and remove. This is a disposable filter. Please dispose of properly. Do **not** attempt to clean or reuse.
7. Ensure all surfaces are clean before installing new O-ring with filter insert.
8. Set O-ring in place and mount new filter insert.
9. Reinstall clear plastic cup and hand-tighten brass nut.



IMPORTANT

Never tighten brass nut 002 using a tool. Hand tighten only - cap and/or O-ring might deform and leak air.

Riello Burner

Riello Burner	VB2-18	VB2-22	VB2-33	VB2-40	VB2-50	VB2-63	
General Info	Price List Section:			1.3			
	Parts Catalog Section:			03			
	Series Name:			F3, F5, F10 f VB2 (11/2000 -)			
	Accurate as of:			07/01/2012			
Shipping Overview	Oil Riello (US Market)						
Price List	7133 312	7133 313	7133 313	7133 313	7133 313	7133 313	7133 313
	5/2005 - present Oil Riello (CDN Market)						
Price List	Z003575	Z003576	Z003577	Z003578	Z003579	Z003580	
Oil Burner	7133 312	7133 313	7133 314	7133 315	7133 316	7133 317	
BV Switch	7134 540	7134 540	7134 540	7134 540	7134 540	7134 540	7134 540

Riello	G120	
---------------	-------------	--

Price List / Product Cat. Section: 1.3
 Series Name: Riello 40 N120 for Vitola

Accurate as of: 07/01/2012

Parts List

Please refer to: Parts List
 Pos. Description

Part Numbers / Price Categories

001	Burner Cover	n.a. n.a. 3007278			
002	Air Switch	9549 654 30 C7020008			
003	Ctrl Box Sub-Base	9543 467 10 3002307			
004 W	Primary Ctrl, Gas	9543 610 45 3001162			
005	Transformer, 120/24V	9560 635 11 C7020005			
006	Air Plate Cover	9560 693 9 3007291			
007	Air Switch Tube & Connector	9560 696 7 3007287			
008	Ionization Lead	9560 508 5 3007310			
009	Chassis Mounting Collar	n.a. n.a. 3006903			
010	Chassis Front Plate	n.a. n.a. 3007221			
011	Air Damper Motor	9543 615 42 3007279			
012	Motorized Air Damper	9549 852 6 3006929			
013	Manual Air Shutter (no. orif.)	9549 853 D 3007204			
014	Air Intake Housing	9560 714 13 3007207			
015	Blower Wheel	9543 480 12 C7001031			
016	Capacitor, 10mf	9543 498 12 3005834			
017	Burner Motor, Riello	9544 253 32 C7001034			
018	Gasket, (Burner Mount)	9543 843 6 3005856			
019	Burner Flange	9549 529 D 3005855			
020	Ground Lead & Connector	9560 509 4 3007448			
021 *1	Short Combustion Head	n.a. n.a. 3950171			
022 W	Ignition Electrode	9543 495 15 3007270			
023	Electrode and Ionization Clamp	n.a. n.a. 3007265			
024	Ionization Assly	9543 602 16 3006907			
025	Manifold	n.a. n.a. 3007296			

Riello	G120	
---------------	-------------	--

Price List / Product Cat. Section: 1.3
 Series Name: Riello 40 N120 for Vitola

Accurate as of: 07/01/2012

Parts List

Please refer to: Parts List
 Pos. Description

Part Numbers / Price Categories

026	End Cone	n.a. ^{n.a.} 3006394		
027	Gas Test Port	n.a. ^{n.a.} 3005447		
028 ^{*2}	Orifice	n.a. ^{n.a.}		
029	Distributor Head & Mix. Plate	9549 536 ²² 3006698		
030	Diaphragm, Drawer Assly	9543 496 ^D 3007312		
031	Drawer Assly Elbow	n.a. ^{n.a.} 3006905		
049	Mounting Brkt f Transformer	n.a. ^{n.a.} C7010003		
120	Barometric Damper, 6" MG1 NG	9544 264 ²¹		
121	GSK-3 Spill Switch Assly, 24V Riello	7133 050 ¹⁵		
123	Install./Oper. Instr. Riello, VB2	5265 665 ^L		
124	Install. Supp. Riello NG/LP, VB2	5265 571 ^L		
125	Parts List Riello G120/G200/G400	5167 439 ^L		
126	Installation Fittings Riello Burners	7133 049 ³		
127	Gas Valve NG, 1/2 x 1/2"	9543 643 ²⁹		

Notes:

*1 IMPORTANT: NG and LP Riello Burners sold by Viessmann are equipped with the **short** Riello combustion head **only**.

IMPORTANT: Items marked "n.a." are available, but must be special ordered using the Riello Part Number (small italics).

*2 WARNING: Do **not** change orifice, diaphragm and/or sleeve combination. Contact Viessmann Technical Service Department.

WARNING: **Never** field convert Riello Burners from NG > LP or vice versa.

"n.a." indicates not applicable.

"W" indicates wearing part (service).

"L" indicates literature (no charge).

"Kit" or "Other" indicates that this is not a Price Category item; contact Inside Sales for pricing.

"D" indicates discontinued.

Riello	G200	G400	
---------------	-------------	-------------	--

Price List / Product Cat. Section: 1.3
 Series Name: Riello 40 for Vitola/Vitorond

Accurate as of: 07/01/2012

Parts List

Please refer to: Parts List
 Pos. Description

Part Numbers / Price Categories

001	Burner Cover, SIL G200 Vi Riello Burner	9544 449 ²²	9544 450 ²²		
001	Burner Cover, ORG G200 Vi Riello Burner	9560 646 ²²	9560 647 ¹⁸		
002	Air Switch	9549 654 ³⁰ C7020008	9549 654 ³⁰ C7020008		
003 W	Primary Ctrl, Gas	9543 610 ⁴⁵ 3001162	9543 610 ⁴⁵ 3001162		
004	Ctrl Box Sub-Base	9543 467 ¹⁰ 3002307	9543 467 ¹⁰ 3002307		
005	Transformer, 120/24V	9560 635 ¹¹ C7020005	9549 653 ¹⁴ C7020006		
006	Air Switch Tube & Connector	9549 539 ⁸ 3007288	9549 539 ⁸ 3007288		
007	Ionization Lead	9560 508 ⁵ 3007310	9560 508 ⁵ 3007310		
008	Air Plate Cover	9560 694 ⁹ 3007292	9560 695 ⁹ 3007293		
009	Chassis Mounting Collar	9560 187 ¹⁰ 3006687	9560 636 ¹⁰ 3006688		
010	Chassis Front Plate	n.a. ^{n.a.} 3007222	n.a. ^{n.a.} 3007223		
011	Air Damper Motor	9543 615 ⁴² 3007279	9543 615 ⁴² 3007279		
012	Motorized Air Damper	9549 852 ⁶ 3006929	9549 537 ⁶ 3006930		
013	Manual Air Shutter (no orif.)	9549 853 ^D 3007204	9560 713 ⁶ 3007205		
014	Air Intake Housing	9560 715 ¹³ 3007208	9560 716 ¹⁴ 3007209		
015	Blower Wheel	9543 480 ¹² C7001031	9549 528 ¹⁶ 3005788		
016	Capacitor, 10mf	9543 498 ¹² 3005834	9543 498 ¹² 3005834		
017	Burner Motor, Riello	9544 253 ³² C7001034	9544 253 ³² C7001034		
018	Gasket, (Burner Mount)	9543 843 ⁶ 3005856	9543 843 ⁶ 3005856		
019	Burner Flange	9549 529 ^D 3005855	9549 535 ^D 3006356		
020	Ground Lead & Connector	9560 509 ⁴ 3007448	9560 509 ⁴ 3007448		
021 ^{*1}	Short Combustion Head	n.a. ^{n.a.} 3950271	n.a. ^{n.a.} 3950371		
022	Drawer Assly Elbow	n.a. ^{n.a.} 3006695	n.a. ^{n.a.} 3006696		
023 W	Ignition Electrode (Short)	9543 487 ¹⁶ 3007273	9543 479 ¹⁷ 3007275		
024	Electrode and Ionization Clamp	n.a. ^{n.a.} 3007265	n.a. ^{n.a.} 3007265		
025 W	Ionization Electrode (Short)	9543 486 ¹⁶ 3006707	9543 476 ¹⁶ 3006708		
026 ^{*2}	Orifice	n.a. ^{n.a.}	n.a. ^{n.a.}		continued

Riello	G200	G400	
---------------	-------------	-------------	--

Price List / Product Cat. Section: 1.3
 Series Name: Riello 40 for Vitola/Vitorond

Accurate as of: 07/01/2012

Parts List

Please refer to: Parts List
 Pos. Description

Part Numbers / Price Categories

027	Distributor Head & Mix. Plate	9543 477 ²² <small>3006899</small>	9543 475 ²⁰ <small>3006699</small>		
028	Manifold	9560 682 ^D <small>3007297</small>	9560 683 ²⁷ <small>3007299</small>		
029	End Cone	n.a. ^{n.a.} <small>3006394</small>	n.a. ^{n.a.} <small>3006693</small>		
030	Gas Test Port	n.a. ^{n.a.} <small>3005447</small>	n.a. ^{n.a.} <small>3005447</small>		
031	Hinge Assly	n.a. ^{n.a.} <small>3000870</small>	n.a. ^{n.a.} <small>3000870</small>		
049	Mounting Brkt, Transformer	n.a. ^{n.a.} <small>C7010003</small>	n.a. ^{n.a.} <small>C7010003</small>		
120	Barometric Damper, MG1 NG	9544 264 ²¹	9544 265 ²³		
121	GSK-3 Spill Switch Assly, 24V	7133 050 ¹⁵	7133 050 ¹⁵		
123	Install./Oper. Instr. Riello, VB2	5265 665 ^L	5265 665 ^L		
124	Install. Supp. Riello NG/LP, VB2	5265 571 ^L	5265 571 ^L		
125	Parts List Riello	5167 439 ^L	5167 439 ^L		
126	Installation Fittings Riello Burners	7133 049 ³	7133 049 ³		
127 a	Gas Valve NG	9543 643 ²⁹	9549 462 ³⁰		
127 b	Gas Valve LP	7134 395 ²⁹	7134 396 ³⁰		

Notes:

*1 IMPORTANT: NG and LP Riello Burners sold by Viessmann are equipped with the **short** Riello combustion head **only**.

IMPORTANT: Items marked "n.a." are available, but must be special ordered using the Riello Part Number (small italics).

*2 WARNING: Do **not** change orifice, diaphragm and/or sleeve combination. Contact Viessmann Technical Service Department.

WARNING: **Never** field convert Riello Burners from NG > LP or vice versa.

"n.a." indicates not applicable.

"W" indicates wearing part (service).

"L" indicates literature (no charge).

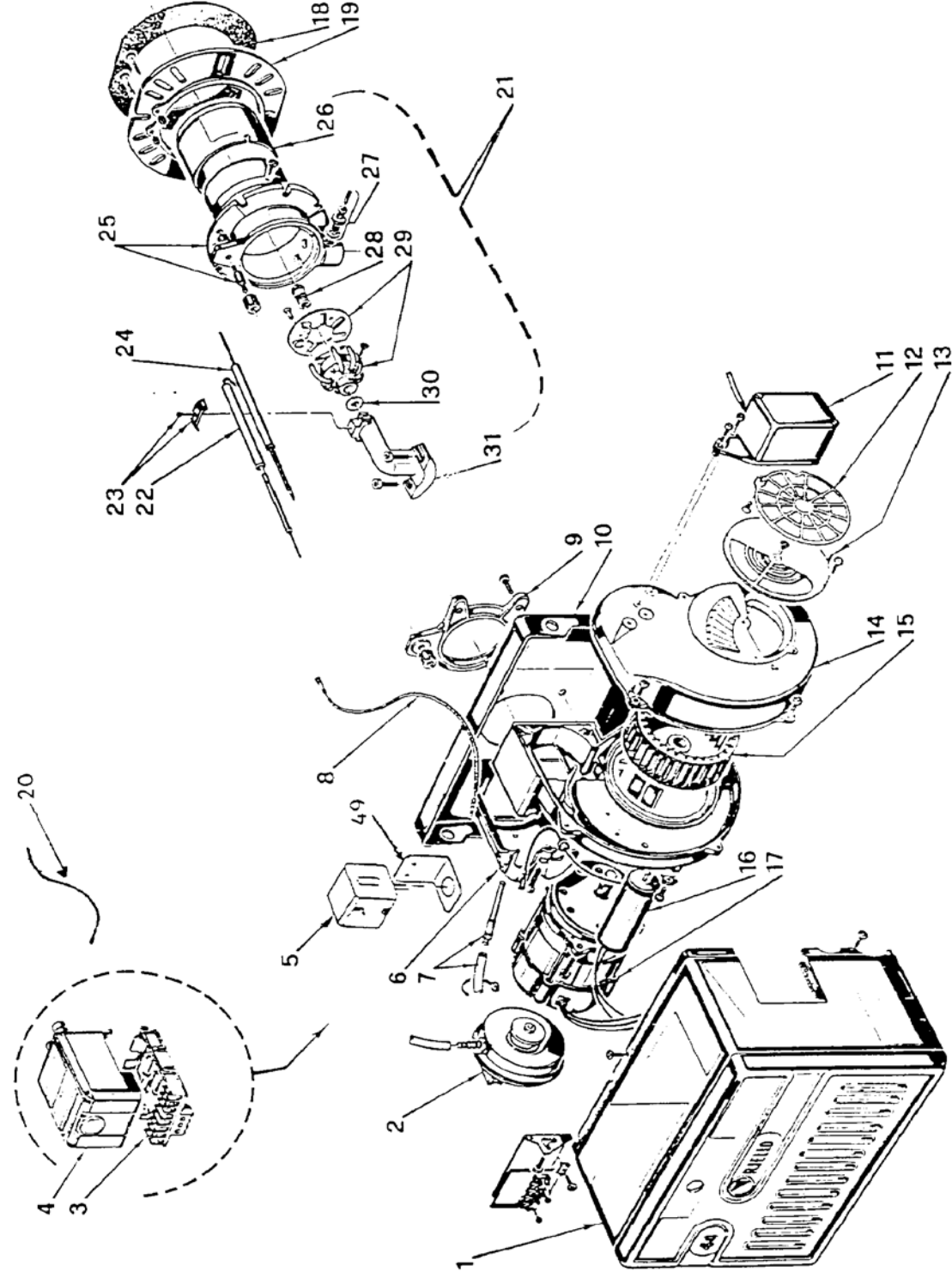
"Kit" or "Other" indicates that this is not a Price Category item; contact Inside Sales for pricing.

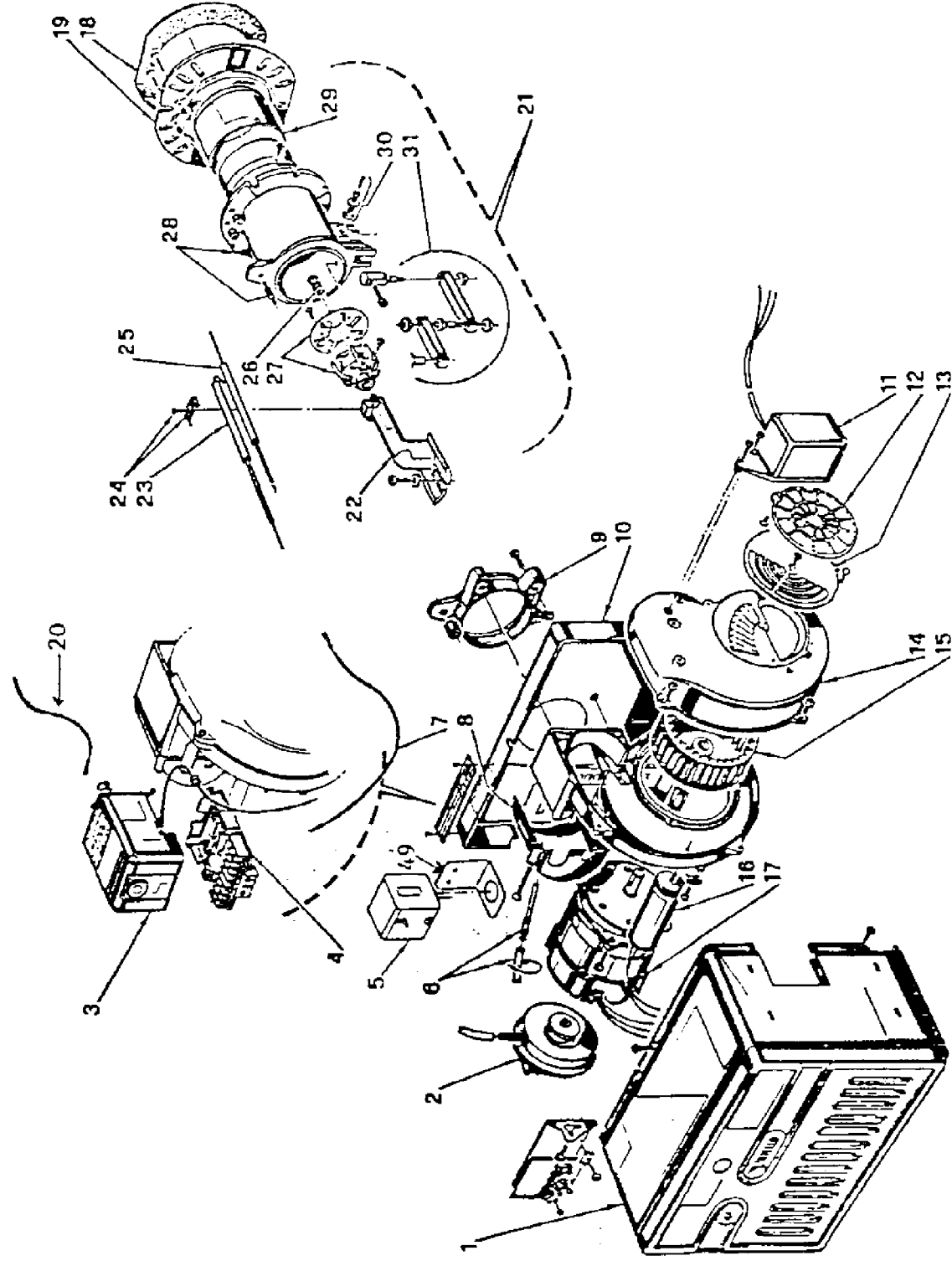
"D" indicates discontinued.

Riello
G120
G200 / G400

Riello G120 Burner

Ordering Replacement Parts:
 Please provide Part No. and Position No.
 (from this Parts List) when ordering
 replacement parts.
 Order replacement parts from your
 Viessmann distributor.





Riello	F3	F5	
---------------	-----------	-----------	--

Price List / Product Cat. Section:
Series Name:

1.3 / 1.5
Riello 40 for Vitola, Vitorond

Accurate as of:

07/01/2012

Parts List

Please refer to: Parts List
Pos. Description

Part Numbers / Price Categories

001	Burner Cover, SIL f Vitola	9544 440 ²²	9544 441 ²²		
001	Burner Cover, ORG f Vitola	9560 644 ¹⁸	9560 645 ¹⁸		
001 *1	Burner Hood, VR2	7819 461 ^{Other}	7819 461 ^{Other}		
002	Pipe Connector, Supply	n.a. ^{n.a.} 3006992	n.a. ^{n.a.} 3006992		
003	Adaptor, Npt 3/8" - Male	n.a. ^{n.a.} 3006571	n.a. ^{n.a.} 3006571		
004	Pipe Connector, Return	n.a. ^{n.a.} 3006993	n.a. ^{n.a.} 3006993		
005	Adaptor, Npt 3/8" - Female	n.a. ^{n.a.} 3005847	n.a. ^{n.a.} 3005847		
006	Washer, 3/8"	n.a. ^{n.a.} 3007077	n.a. ^{n.a.} 3007077		
007	Bleeder	n.a. ^{n.a.} 3007568	n.a. ^{n.a.} 3007568		
008	O-Ring	n.a. ^{n.a.} 3007028	n.a. ^{n.a.} 3007028		
009	Regulator Screw	n.a. ^{n.a.} 3007202	n.a. ^{n.a.} 3007202		
010	O-Ring, Pump Cover F3/5/10	9544 245 ¹ C7010002	9544 245 ¹ C7010002		
011 W	Pump Strainer	9560 678 ⁴ 3005719	9560 678 ⁴ 3005719		
012	Valve Stem	n.a. ^{n.a.} 3006925	n.a. ^{n.a.} 3006925		
013	Valve Stem Plate	n.a. ^{n.a.} 3007203	n.a. ^{n.a.} 3007203		
014	O-Ring - Valve Stem Upper	n.a. ^{n.a.} 3007029	n.a. ^{n.a.} 3007029		
015	O-Ring - Valve Stem Lower	n.a. ^{n.a.} 3007156	n.a. ^{n.a.} 3007156		
016	Nozzle Outlet Fitting	n.a. ^{n.a.} 3007268	n.a. ^{n.a.} 3007268		
017	Washer, 5/8"	n.a. ^{n.a.} 3007087	n.a. ^{n.a.} 3007087		
018	Primary Ctrl Sub-Base	9543 469 ⁹ 3002278	9543 469 ⁹ 3002278		
019	Coil (Brkt, Nut)	9543 489 ¹⁰ 3006553	9543 489 ¹⁰ 3006553		
020 W	Coil	n.a. ^{n.a.} 3002279	n.a. ^{n.a.} 3002279		
021	Oil Pump (w Solenoid)	9543 616 ²⁷ C7001010	9543 616 ²⁷ C7001010		
022 W	Oil Pump Drive Key Adaptor	9549 525 ² 3000443	9549 525 ² 3000443		
023	Burner Motor, Riello Oil/Gas	9544 253 ³² 3008451	9544 253 ³² 3008451		
024	Air Tube Cover	n.a. ^{n.a.} 3007315	n.a. ^{n.a.} 3007315		
025 W	Cad Cell	9543 490 ⁸ 3002280	9543 490 ⁸ 3002280		

Riello	F3	F5	
---------------	-----------	-----------	--

Price List / Product Cat. Section:
Series Name:

1.3 / 1.5
Riello 40 for Vitola, Vitorond

Accurate as of:

07/01/2012

Parts List

Please refer to: Parts List
Pos. Description

Part Numbers / Price Categories

026 W	Primary Ctrl, Oil 530 SE	9543 609 ³² 3001157	9543 609 ³² 3001157		
027	Semi Flange	n.a. ^{n.a.} 3005854	n.a. ^{n.a.} 3005854		
028	Burner Flange	9549 529 ^D 3005855	9549 529 ^D 3005855		
029	Gasket, (Burner Mount)	9543 843 ⁶ 3005856	9543 843 ⁶ 3005856		
030	Capillary Tube	9549 955 ¹⁰ C7001058	9549 956 ¹⁰ C7001059		
031	Hydraulic Jack	9543 603 ^D 3006911	9543 603 ^D 3006911		
032	Hydraulic Air Shutter	n.a. ^{n.a.} 3000878	n.a. ^{n.a.} 3000878		
033	Manual Air Shutter (no orif.)	9549 853 ^D 3007204	9549 853 ^D 3007204		
034	Air Intake Housing	9560 714 ¹³ 3007207	9560 715 ¹³ 3007208		
035	Capacitor, 12.5mf	9543 612 ¹² 3005844	9543 612 ¹² 3005844		
036	Blower Wheel	n.a. ^{n.a.} 3005708	n.a. ^{n.a.} 3005708		
037	Acoustic Liner	n.a. ^{n.a.} 3007319	n.a. ^{n.a.} 3007320		
038	Chassis Front Plate	n.a. ^{n.a.} 3007221	n.a. ^{n.a.} 3007222		
041	Turbulator Disc	9543 604 ^D 3006968	9543 605 ^D 3006977		
042	Electrode Support	9560 659 ¹¹ 3006966	9560 659 ¹¹ 3006966		
043	Nozzle Adaptor	9560 720 ⁹ 3006965	9560 720 ⁹ 3006965		
044	Nozzle Line, 6"	9560 721 ⁸ 3006969	9560 512 ⁸ 3006973		
044	Nozzle Line, 10"	9560 511 ⁸ 3006970	9560 513 ⁸ 3006974		
045	Regulator Assly, 10"	n.a. ^{n.a.} 3005867	n.a. ^{n.a.} 3005878		
046 W	Electrode Assly 10"	9543 481 ¹³ 3005870	9543 482 ¹⁷ 3005880		
046 W	Electrode Assly 6"	9543 483 ¹³ 3006330	9543 493 ¹⁵ 3006329		
047	Electrode Porcelain	n.a. ^{n.a.} 3005869	n.a. ^{n.a.} 3005869		
048	Air Tube - Short, 6" (Pre 07/93)	n.a. ^{n.a.} 3006971	n.a. ^{n.a.} 3006975		
048	Air Tube - Short, 6"	n.a. ^{n.a.} 3007592	n.a. ^{n.a.} 3007594		
048	Air Tube - Long, 10" (Pre 07/93)	n.a. ^{n.a.} 3006972	n.a. ^{n.a.} 3006976		
048	Air Tube - Long	n.a. ^{n.a.} 3007593	9549 538 ⁴² 3007595		
049	End Cone Mectron	9544 282 ⁹ 3006568	n.a. ^{n.a.} 3006570		

Riello	F3	F5	
---------------	-----------	-----------	--

Price List / Product Cat. Section:
Series Name:

1.3 / 1.5
Riello 40 for Vitola, Vitorond

Accurate as of:

07/01/2012

Parts List

Please refer to: Parts List
Pos. Description

Part Numbers / Price Categories

050	R40 Burner Gage Adaptor	9549 934 ⁵ C7001071	9549 934 ⁵ C7001071		
051 W	Capillary Port Plug,F3-F10 f Pmp	9543 607 ^D 2623141	9543 607 ^D 2623141		
120	Barometric Damper, 6" M Oil	9544 266 ¹⁶	9544 266 ¹⁶		
121	Installation Fittings Riello Burners	7133 049 ³	7133 049 ³		
122	Oil Filter Assly (2 Strand)	9543 012 ¹⁴	9543 012 ¹⁴		
123 W	Oil Filter Cartridge (w O-Ring)	7133 088 ⁵	7133 088 ⁵		
124	Oil Filter Tee Assly	7133 051 ¹⁰	7133 051 ¹⁰		
125	Flexible Oil Hose Return (BLU)	7814 876 ⁸	7814 876 ⁸		
126	Flexible Oil Hose Supply (RED)	7814 886 ⁸	7814 886 ⁸		
127	Brass Adaptor f Oil Hose VEC + Oil Br	9500 151 ⁴	9500 151 ⁴		
128	Tigerloop	9543 420 ²⁷	9543 420 ²⁷		
130 *2 W	NOZZLE f Vitola 200, VB2-18	9542 980 ⁶	n.a. n.a.		
130 *2 W	NOZZLE f Vitola 200, VB2-22	9542 974 ⁶	n.a. n.a.		
130 *2 W	NOZZLE f Vitola 200, VB2-33	n.a. n.a.	9542 977 ⁶		
130 *2 W	NOZZLE f Vitola 200, VB2-40	n.a. n.a.	9542 978 ⁶		
130 *2 W	NOZZLE f Vitorond 200, VR2-18	9549 510 ⁷	n.a. n.a.		
130 *2 W	NOZZLE f Vitorond 200, VR2-22	9549 511 ⁶	n.a. n.a.		
130 *2 W	NOZZLE f Vitorond 200, VR2-27	9549 512 ⁶	n.a. n.a.		
130 *2 W	NOZZLE f Vitorond 200, VR2-33	n.a. n.a.	9549 513 ⁶		
130 *2 W	NOZZLE f Vitorond 200, VR2-40	n.a. n.a.	9542 977 ⁶		
130 *2 W	NOZZLE f Vitorond 200, VR2-50	n.a. n.a.	9549 515 ^D		

Riello	F3	F5	
---------------	-----------	-----------	--

Price List / Product Cat. Section: 1.3 / 1.5
 Series Name: Riello 40 for Vitola, Vitorond

Accurate as of: 07/01/2012

Parts List

Please refer to: Parts List
 Pos. Description

Part Numbers / Price Categories

131	Parts List Riello F3/F5/F10	5167 564 ^L	5167 564 ^L		
132 ^{*3}	Blocked Vent Switch, Oil	7134 540 ¹⁶	7134 540 ¹⁶		

Notes:

IMPORTANT: Items marked "n.a." are available, but must be special ordered using the Riello Part Number (small italics).

***1 IMPORTANT:** Viessmann Burner Hood is not illustrated.

***2 WARNING:** Ensure ONLY the correct nozzle listed above is installed. Do NOT overfire or underfire boiler/burner. Contact Viessmann for nozzle specifications.

***3 IMPORTANT:** Only for units sold in Canada after 5/2005.

"n.a." indicates not applicable.

"W" indicates wearing part (service).

"L" indicates literature (no charge).

"Kit" or "Other" indicates that this is not a Price Category item; contact Inside Sales for pricing.

"D" indicates discontinued.

Riello	F10	
---------------	------------	--

Price List / Product Cat. Section:
Series Name:

1.3 / 1.5
Riello 40 for Vitola, Vitorond

Accurate as of:

07/01/2012

Parts List

Please refer to: Parts List
Pos. Description

Part Numbers / Price Categories

001	Hydraulic Jack	9543 603 ^D 3006911			
002	Capillary Tube	9543 614 ^D 3006912			
003	Hydraulic Air Shutter	n.a. ^{n.a.} 3000879			
004	Blower Wheel	9549 528 ¹⁶ 3005788			
005	Capacitor, 12.5mf	9543 612 ¹² 3005844			
006	Pipe Connector, Return	n.a. ^{n.a.} 3006993			
007	Adaptor, Npt 1/4"	n.a. ^{n.a.} 3005847			
008	Pipe Connector, Supply	n.a. ^{n.a.} 3006992			
009	Adaptor, Npt 3/8"	n.a. ^{n.a.} 3006571			
010	Washer	n.a. ^{n.a.} 3007077			
011	O-Ring	n.a. ^{n.a.} 3007028			
012	O-Ring, Pump Cover	9544 245 ¹ C7010002			
013 W	Pump Strainer	9560 678 ⁴ 3005719			
014	Valve Stem	n.a. ^{n.a.} 3006036			
015	O-Ring, Valve Stem Upper	n.a. ^{n.a.} 3007029			
016	O-Ring, Valve Stem Lower	n.a. ^{n.a.} 3007156			
017	Nozzle Outlet Fitting	n.a. ^{n.a.} 3007268			
018	Coil (Brkt, Nut)	9543 489 ¹⁰ 3006553			
019 W	Coil	n.a. ^{n.a.} 3002279			
020	Oil Pump (w Solenoid)	9543 616 ²⁷ C7001010			
021 W	Oil Pump Drive Key Adaptor	9549 525 ² 3000443			
022	Burner Motor, Riello	9544 253 ³² 3008451			
023	Plate	n.a. ^{n.a.} 3007203			
024	Primary Ctrl Sub-Base	9543 469 ⁹ 3002278			
025 W	Primary Ctrl, Oil 530 SE	9543 609 ³² 3001157			
026 W	Cad Cell	9543 490 ⁸ 3002280			

Riello	F10	
---------------	------------	--

Price List / Product Cat. Section: 1.3 / 1.5
 Series Name: Riello 40 for Vitola, Vitorond

Accurate as of: 07/01/2012

Parts List

Please refer to: Parts List
 Pos. Description

Part Numbers / Price Categories

027	Semiflange	n.a. n.a. 3005854		
028	Burner Flange	9549 529 ^D 3005855		
029	Gasket, (Burner Mount)	9543 843 ⁶ 3005856		
030	Regulator	n.a. n.a. 3007202		
031	Air Plate Cover	n.a. n.a. 3007317		
032	Chassis Front Plate	n.a. n.a. 3007223		
033	Manual Air Shutter	9560 713 ⁶ 3007205		
034	Air Intake Housing	9560 716 ¹⁴ 3007209		
035	Burner Cover, SIL F10 Vi Riello Burne	9544 442 ^D		
035	Burner Cover, ORG F10 Vi Riello Burne	9560 643 ¹⁸		
035 *1	Burner Hood, VR2	7819 461 ^{Other}		
036	Washer	n.a. n.a. 3007087		
037	Phono Absorbent	n.a. n.a. 3007357		
040	Combustion Head, 5"	n.a. n.a. 3949071		
041	Turbulator Disc	9560 820 ¹² 2565523		
042	Electrode Support	9560 659 ¹¹ 3006966		
043	Nozzle Adaptor	9560 720 ⁹ 3006965		
044	Nozzle Line, 5"	9560 514 ⁸ 3006979		
044	Nozzle Line, 10"	9560 515 ⁸ 3006980		
045	Regulator Assly 5"	n.a. n.a. 3005888		
045	Regulator Assly 10"	n.a. n.a. 3005889		
046 W	Electrode Assly 5"	9543 491 ¹³ 3005890		
046 W	Electrode Assly 10"	9543 492 ¹⁶ 3005891		
047	Electrode Porcelain	n.a. n.a. 3005869		
048	Air Tube, Short 6"	n.a. n.a. 3006981		
048	Air Tube, Long 10"	n.a. n.a. 3006982		
049	End Cone Adaptor	n.a. n.a. 3006983		

Riello	F10	
---------------	------------	--

Price List / Product Cat. Section: 1.3 / 1.5
 Series Name: Riello 40 for Vitola, Vitorond

Accurate as of: 07/01/2012

Parts List

Please refer to: Parts List
 Pos. Description

Part Numbers / Price Categories

050	End Cone	9560 821 ¹⁰ <small>2763941</small>			
051	R40 Burner Gage Adaptor	9549 934 ⁵ <small>C7001071</small>			
052 W	Capillary Port Plug,F3-F10 f Pmp 3005	9543 607 ^D <small>2623141</small>			
120	Barometric Damper, 6" M Oil	9544 266 ¹⁶			
121	Installation Fittings Riello Burners	7133 049 ³			
122	Oil Filter Assly (2 Strand)	9543 012 ¹⁴			
123 W	Oil Filter Cartridge (w O-Ring)	7133 088 ⁵			
124	Oil Filter Tee Assly	7133 051 ¹⁰			
125	Flexible Oil Hose Return (BLU)	7814 876 ⁸			
126	Flexible Oil Hose Supply (RED)	7814 886 ⁸			
127	Brass Adaptor f Oil Hose	9500 151 ⁴			
128	Tigerloop	9543 420 ²⁷			
130 ^{*2} W	NOZZLE f Vitola 200, VB2-50	9543 034 ⁶			
130 ^{*2} W	NOZZLE f Vitola 200, VB2-63	9543 036 ⁶			
130 ^{*2} W	NOZZLE f Vitorond 200, VR2-63	9549 516 ⁶			
131	Parts List Riello F3/F5/F10	5167 564 ^L			
132 ^{*3}	Blocked Vent Switch, Oil	7134 540 ¹⁶			

Notes:

IMPORTANT: Items marked "n.a." are available, but must be special ordered using the Riello Part Number (small italics).

***1 IMPORTANT:** Viessmann Burner Hood is not illustrated.

***2 WARNING:** Ensure ONLY the correct nozzle listed above is installed. Do NOT overfire or underfire boiler/burner. Contact Viessmann for nozzle specifications.

***3 IMPORTANT:** Only for units sold in Canada after 5/2005.

"n.a." indicates not applicable.

"W" indicates wearing part (service).

"L" indicates literature (no charge).

"Kit" or "Other" indicates that this is not a Price Category item; contact Inside Sales for pricing.

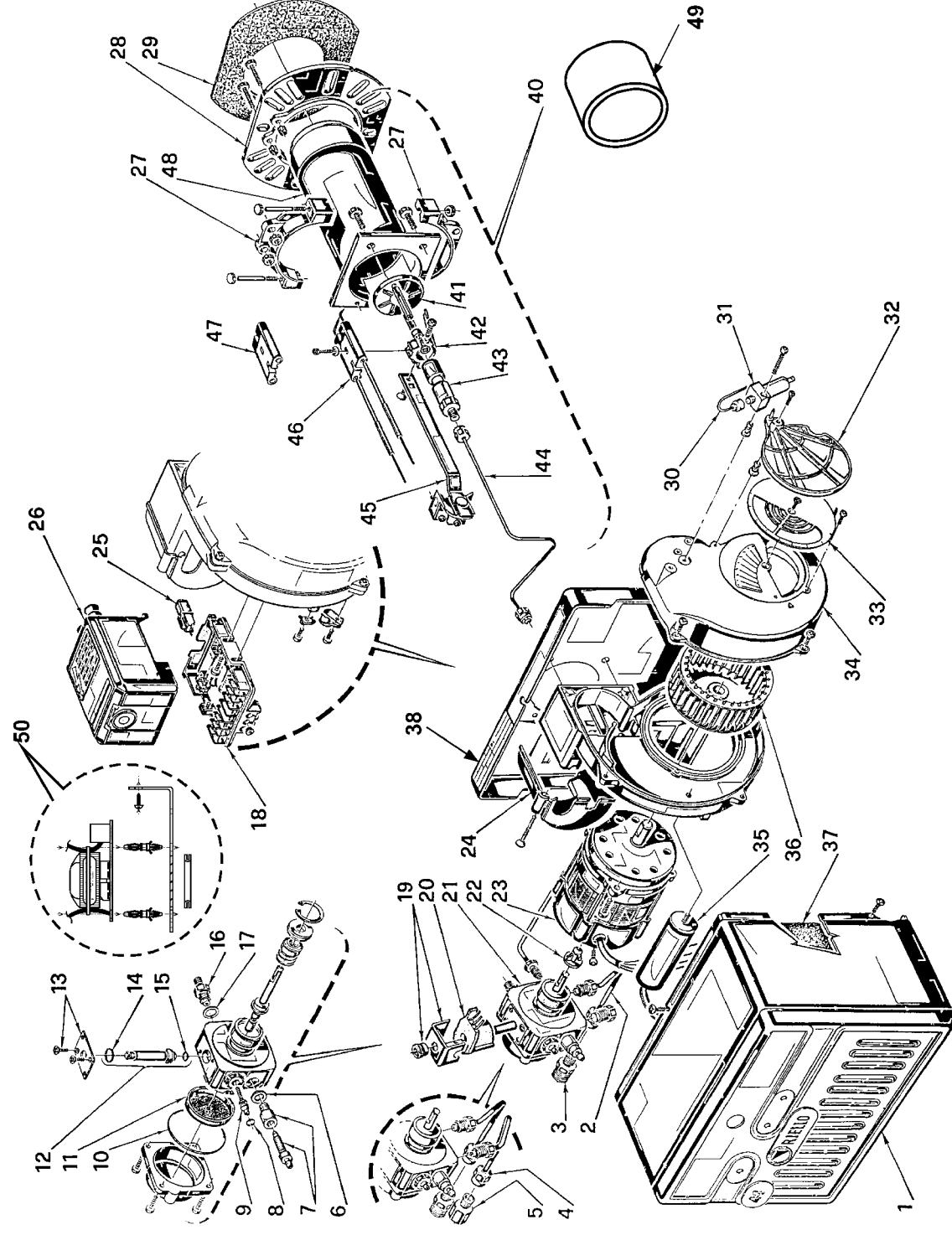
"D" indicates discontinued.

**Riello
F3 / F5
F10**

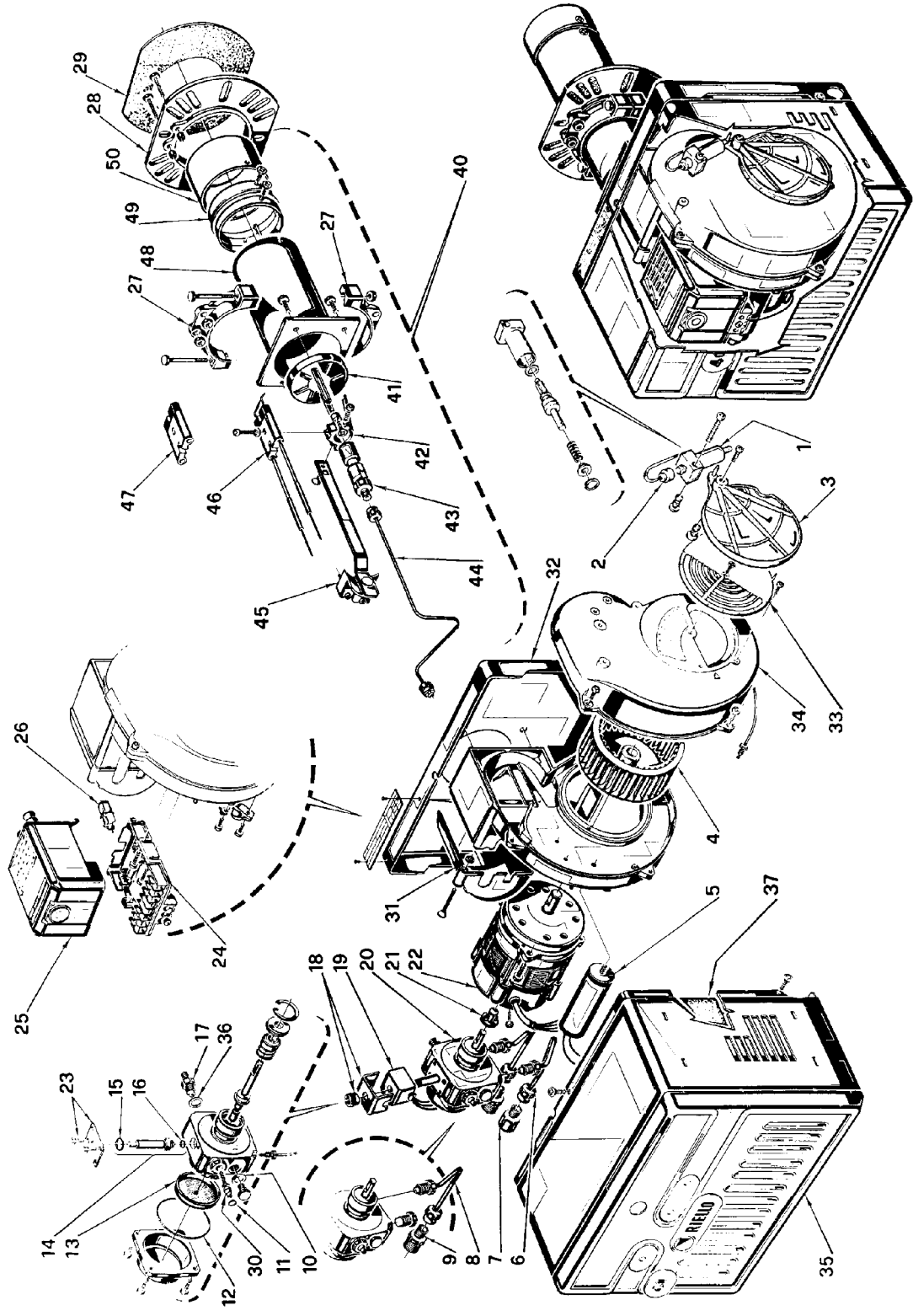
Riello F3 / F5 Burner

Please file in Service Binder

Ordering Replacement Parts:
Please provide Part No. and Position No.
(from this Parts List) when ordering
replacement parts.
Order replacement parts from your
Viessmann distributor.



Riello F10 Burner



Riello	Gas-H	Gas-1	Gas-2	RPN
--------	-------	-------	-------	-----

General Info Price List / Product Cat. Section:
Series:

(1981 - 1985)

Accurate as of:

07/01/2012

Parts List

Please refer to: Parts List
Pos. Description

Part Numbers / Price Categories

001	Blower Wheel			9560 740 ¹⁸	RPN 3005230
001	Blower Wheel		9560 741 ¹⁶		RPN 3005232
001	Blower Wheel	9560 746 ¹³			RPN 3005385
002	Lockout Lamp Shield	9560 742 ³	9560 742 ³	9560 742 ³	RPN 3005249
003	Capacitor	n.a. ^{n.a.}	n.a. ^{n.a.}		RPN 3006337
003	Capacitor			n.a. ^{n.a.}	RPN 3006338
004	Motor	9549 531 ³⁷	9549 531 ³⁷		RPN 3006331
004	Motor			n.a. ^{n.a.}	RPN 3006332
005	Ionization Cable	9544 367 ^D	9544 367 ^D		RPN 3006335
006	Ignition Cable	9544 366 ^D	9544 366 ^D		RPN 3006333
006	Ignition Cable			9560 757 ⁶	RPN 3006334
007	Cable Plug Connector	9544 368 ^D	9544 368 ^D	9544 368 ^D	RPN 3006336
008	Transformer - Ignition	9560 738 ^D	9560 738 ^D	9560 738 ^D	RPN 3001145
009	Collar Gasket	9560 743 ⁶	9560 743 ⁶		RPN 3005253
009	Collar Gasket			9560 744 ⁶	RPN 3005254
010	Collar			9560 747 ¹⁶	RPN 3005408
010	Collar		9560 748 ¹²		RPN 3005410
011	Sub-Base For Pri. Control Box	9560 739 ¹³	9560 739 ¹³	9560 739 ¹³	RPN 3002256
012	Primary Ctrl	n.a. ^{n.a.}	n.a. ^{n.a.}	n.a. ^{n.a.}	RPN 3001144
013 W	Electrode Assembly, Short	9560 759 ¹³			RPN 3006341
013 W	Ignition Electrode	9560 606 ¹⁸			RPN 3006347
013 W	Electrode Assembly, Long		9560 768 ¹⁸		RPN 3006353
013 W	Electrode Assly, Short		9543 484 ^D		RPN 3006357
013 W	Electrode Assembly, Short			9560 770 ¹⁵	RPN 3006361
013 W	Electrode Assembly, Long			9560 773 ¹⁷	RPN 3006366
014	Ionization Electrode	9549 533 ¹³			RPN 3006342
014	Ionization Electrode	9549 532 ^D			RPN 3006348
014	Ionization Rod Assly		9543 485 ¹⁷		RPN 3006358
014	Ionization Rod Assly		n.a. ^{n.a.}		RPN 3006354
014	Ionization Rod Assly			n.a. ^{n.a.}	RPN 3006362
014	Ionization Rod Assly			n.a. ^{n.a.}	RPN 3006367
015	Metering Plate	n.a. ^{n.a.}			RPN 3006340
015	Metering Plate		n.a. ^{n.a.}		RPN 3006352
015	Metering Plate			n.a. ^{n.a.}	RPN 3006360
016	Distributor Head		9560 754 ¹³		RPN 3006055
016	Distributor Head			9560 755 ¹⁷	RPN 3006056
016	Distributor Head, Short	9560 756 ¹⁴			RPN 3006061
016	Distributor Head, Long	9560 763 ¹⁵			RPN 3006346
017	Air Pressure Port Assembly	9560 750 ⁷	9560 750 ⁷	9560 750 ⁷	RPN 3005471
019	Gasket	n.a. ^{n.a.}	n.a. ^{n.a.}	n.a. ^{n.a.}	RPN 3007077
019	Gasket			n.a. ^{n.a.}	RPN 3007077
020	Latching Pin And Nut	9560 745 ⁶	9560 745 ⁶	9560 745 ⁶	RPN 3005284
021	Hinge Assembly	9560 733 ¹³	9560 733 ¹³	9560 733 ¹³	RPN 3000522
022	Gas Pressure Fitting	9560 749 ⁶	9560 749 ⁶	9560 749 ⁶	RPN 3005447
023	Head Casting Manifold, Short	9560 758 ³²			RPN 3006339

Riello	Gas-H	Gas-1	Gas-2	RPN
---------------	--------------	--------------	--------------	------------

General Info Price List / Product Cat. Section:
 Series: (1981 - 1985)

Accurate as of: 07/01/2012

Parts List

Please refer to: Parts List
 Pos. Description

Part Numbers / Price Categories

023	Head Casting Manifold, Long	9560 760 ³²		RPN 3006343
023	Head Casting Manifold, Long		9560 765 ³²	RPN 3006349
023	Head Casting Manifold, Short		9560 769 ³⁴	RPN 3006359
023	Manifold	n.a. ^{n.a.}		RPN 3006343
023	Manifold		n.a. ^{n.a.}	RPN 3006355
024	Blast Tube		9560 724 ¹⁸	RPN 3005479
024	End Cone		9560 751 ¹⁸	RPN 3005480
024	End Cone	9549 451 ¹⁷		RPN 3005481
025	Universal Mounting Flange		9560 752 ¹²	RPN 3005851
025	Burner Flange	9549 529 ^D		RPN 3005855
025	Chassis Mounting Collar		9549 535 ^D	RPN 3006356
026	Asbestos Mounting Gasket		9560 753 ⁷	RPN 3005852
026	Gasket (Burner Mount)	9543 843 ⁶	9543 843 ⁶	RPN 3005856
027	Seat Ring, Long	9560 762 ²⁷		RPN 3006345
027	Seat Ring, Long		9560 767 ²⁴	RPN 3006351
027	Seat Ring		9560 772 ²⁹	RPN 3006365
028	Blast Tube Extn., Long	9560 761 ¹⁶		RPN 3006344
028	Blast Tube Extn., Long		9560 766 ¹⁶	RPN 3006350
028	Blast Tube Extn., Long		9560 771 ²³	RPN 3006364
029	Semiflange	n.a. ^{n.a.}	n.a. ^{n.a.}	RPN 3005854
	Propane Kit Short Comb. Head	9560 734 ¹⁸		RPN 3000732
	Propane Kit Long Comb. Head	9560 735 ¹⁷		RPN 3000733
	Propane Kit Sh/Lng Comb. Head		9560 736 ¹⁹	RPN 3000734
	Propane Kit Sh/Lng Comb. Head		9560 737 ²⁴	RPN 3000735
	Primary Ctrl	9543 608 ^D	9543 608 ^D	RPN C7001030
	Air Press. Switch	9560 637 ²²		RPN C70200007

Notes:

IMPORTANT: Items marked "n.a." are available, but must be special ordered using the Riello Part Number (small italics).

*1 **IMPORTANT:** Viessmann Burner Hood is not illustrated.

*2 **WARNING:** Do NOT overfire or underfire boiler/burner. Contact Viessmann for orifice specifications.

"n.a." indicates not applicable.

"W" indicates wearing part (service).

"L" indicates literature (no charge).

"Kit" or "Other" indicates that this is not a Price Category item; contact Inside Sales for pricing.

"D" indicates discontinued.

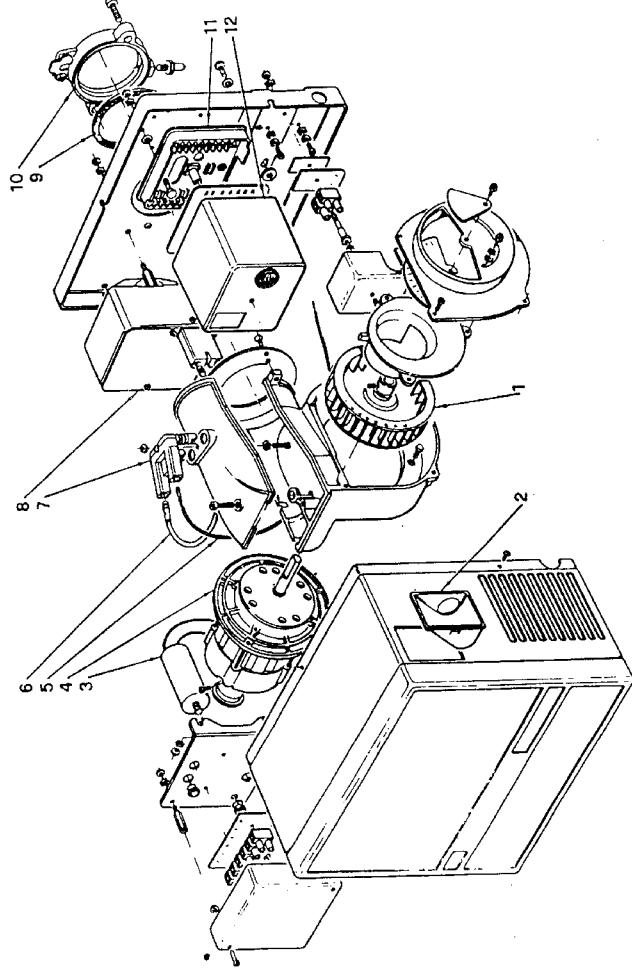
Parts List

VIESSMANN

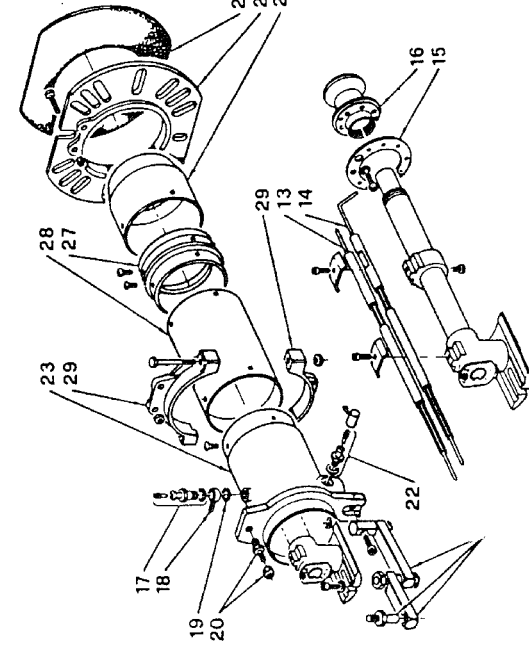
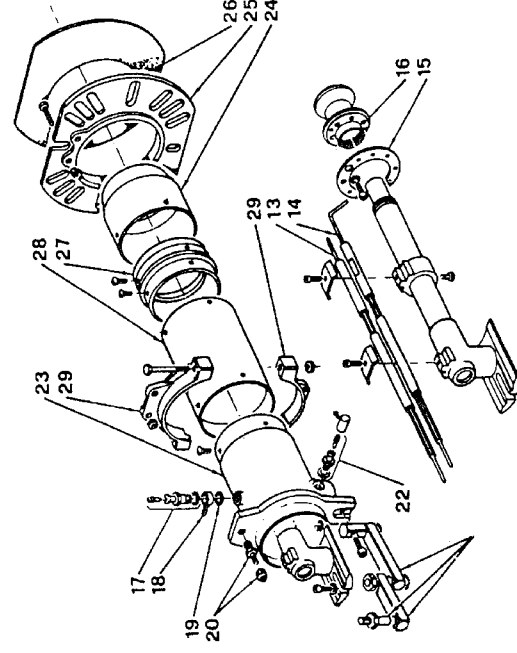
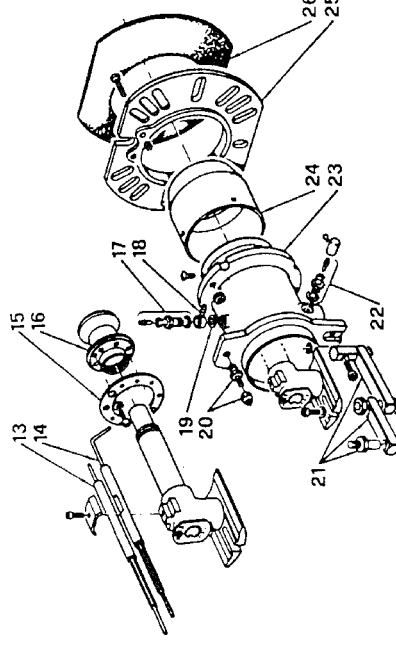
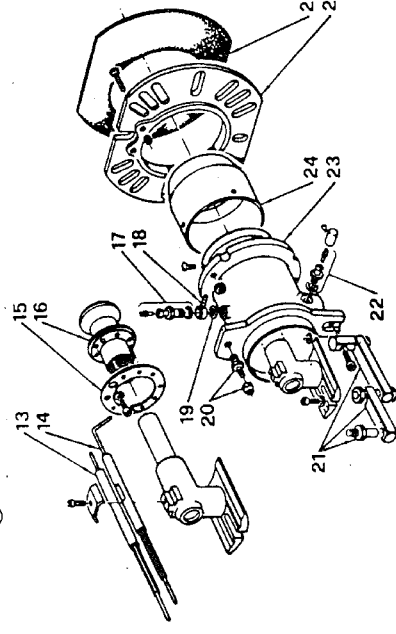
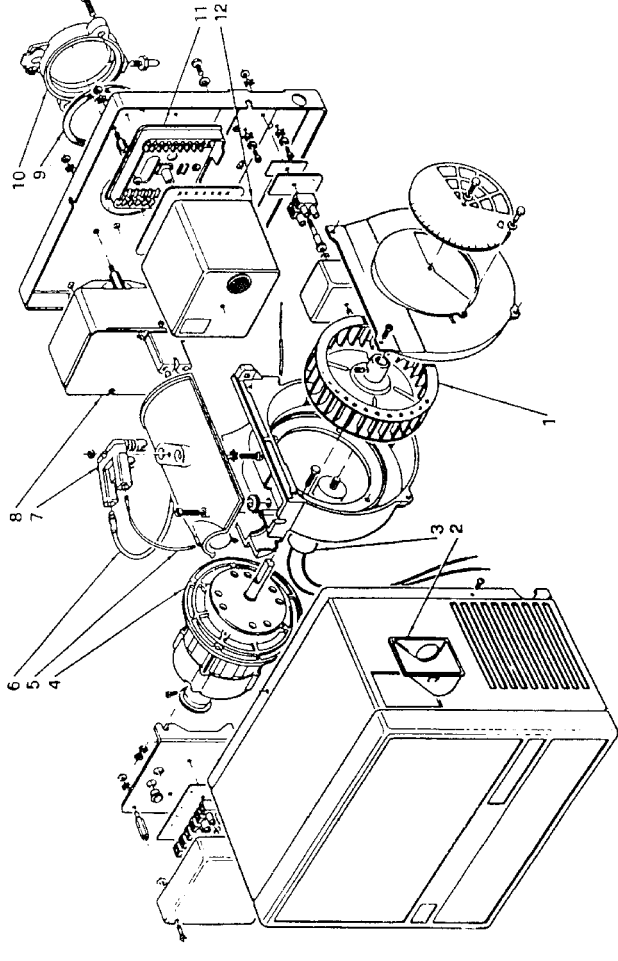
Riello Gas-H Gas-1 Gas-2

Ordering Replacement Parts:
Please provide Part No. and Position No.
(from this Parts List) when ordering
replacement parts.
Order replacement parts from your
Viessmann distributor.

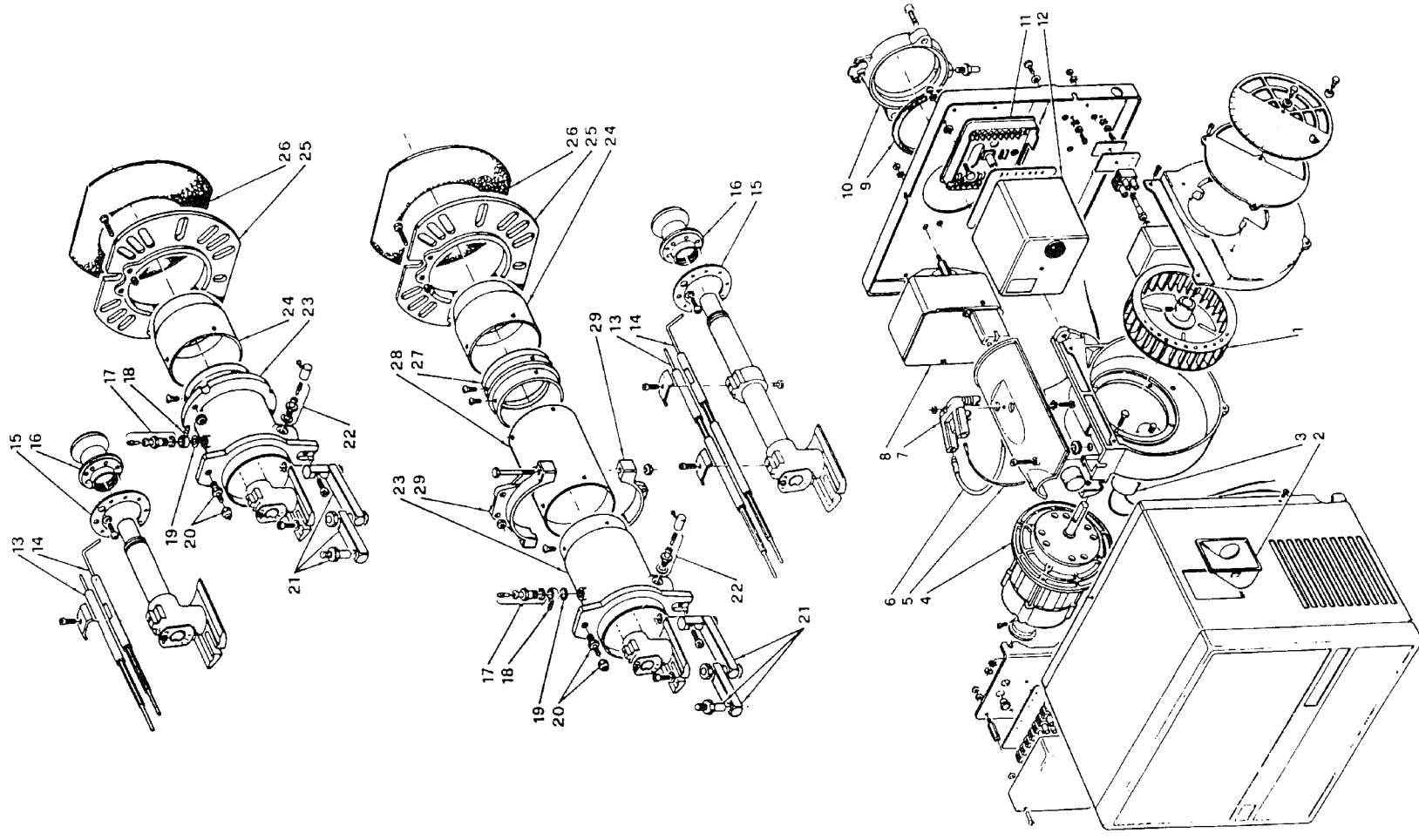
Riello Gas-H Burner



Riello Gas-1 Burner



Riello Gas-2 Burner



VITOROND 100

Vitorond 100	VR1-22	VR1-27	VR1-33	VR1-40	VR1-50	VR1-63	
--------------	--------	--------	--------	--------	--------	--------	--

General Info	Price List Section:	1.4
	Parts Catalog Section:	04
	Series Name:	VR1
	Accurate as of:	07/01/2012

09/2007 - 12/2007	Canadian Market						
	< Aq.Ctl, suitable for CV or DV >			<< Aq.Ctl, suitable for CV >>			
	VR10037	VR10038	VR10039	VR10040	VR10041	VR10042	

Blr,Jkt,CCI	7246 959	7246 960	7246 961	-	-	-
Blr,CCI	-	-	-	7284 680	7284 261	7284 262
Jkt	-	-	-	7134 477	7134 478	7134 479
Inst Fittings	7311 324	7311 324	7311 324	7311 325	7311 325	7311 325
Blocked V Sw	7134 540	7134 540	7134 540	7134 540	7134 540	7134 540

09/2007 - 12/2007	US Market						
	< Aq.Ctl, suitable for CV or DV >			<< Aq.Ctl, suitable for CV >>			
	VR10043	VR10044	VR10045	VR10046	VR10047	VR10048	

Blr,Jkt,CCI	7246 959	7246 960	7246 961	-	-	-
Blr,CCI	-	-	-	7284 680	7284 261	7284 262
Jkt	-	-	-	7134 477	7134 478	7134 479
Inst Fittings	7134 748	7134 748	7134 748	7134 749	7134 749	7134 749

12/2007 - present	Canadian Market						
	< Aq.Ctl, suitable for CV or DV >			<< Aq.Ctl, suitable for CV >>			
	VR10049	VR10050	VR10051	VR10052	VR10053	VR10054	

Blr,Jkt,CCI	7249 048	7249 049	7249 050	-	-	-
Blr,CCI	-	-	-	7344 379	7344 385	7344 394
Jkt	-	-	-	7344 556	7344 557	7344 558
Inst Fittings	7134 849	7134 849	7134 849	7134 850	7134 850	7134 850
Blocked V Sw	7134 540	7134 540	7134 540	7134 540	7134 540	7134 540

12/2007 - present	US Market						
	< Aq.Ctl, suitable for CV or DV >			<< Aq.Ctl, suitable for CV >>			
	VR10055	VR10056	VR10057	VR10058	VR10059	VR10060	

Blr,Jkt,CCI	7249 048	7249 049	7249 050	-	-	-
Blr,CCI	-	-	-	7344 379	7344 385	7344 394
Jkt	-	-	-	7344 556	7344 557	7344 558
Inst Fittings	7134 849	7134 849	7134 849	7134 850	7134 850	7134 850

IMPORTANT As of the date above, Viessmann does not carry Beckett service parts.
Aq.Ctl = aquastat control
CV = chimney vent
DV = direct vent

VITOROND 100

compatible with Aquastat and Vitotronic

Vitorond 100	VR1-22	VR1-27	VR1-33	
General Info	Price List Section: 1.4			
	Parts Catalog Section: 04			
	Series Name: VR1 (11/2007 - present)			
	Applies to serials nos. beginning with: 7249048... 7249049... 7249050...			
	Accurate as of: 07/01/2012			

Parts List

Please refer to: Parts List

Pos. Description

Part Numbers / Price Categories

001	5-Point Sensor Well	7812 102 ¹²	7812 102 ¹²	7812 102 ¹²	
002	Comb.Chbr.Dr.Refr.	7819 436 ¹⁸	7819 436 ¹⁸	7819 436 ¹⁸	
003	Comb. Chamber Door	7819 421 ²⁵	7819 421 ²⁵	7819 421 ²⁵	
004	Hinge Bracket	7817 538 ⁸	7817 538 ⁸	7817 538 ⁸	
005	Gasket GF 16 x 12 l= 2000	7820 301 ¹⁰	7820 301 ¹⁰	7820 301 ¹⁰	
006 ^{*1}	Gasket GF, 3x116mm	7314 414 ^{KIT}	7314 414 ^{KIT}	7314 414 ^{KIT}	
008	Observ. Port Cover	7819 163 ⁴	7819 163 ⁴	7819 163 ⁴	
011	Turbulator Insert 2nd Pass	7822 242 ^D	n.a. ^{n.a.}	n.a. ^{n.a.}	
012	Turbulator Insert	n.a. ^{n.a.}	n.a. ^{n.a.}	7819 416 ¹⁴	
014	Turbulator Insert	n.a. ^{n.a.}	n.a. ^{n.a.}	7820 046 ¹⁰	
016	Cleaning Brush Handle 800mm, M10	7815 076 ⁷	7815 076 ⁷	7815 076 ⁷	
017	Cleaning Brush (No Handle)	7818 562 ⁷	7818 562 ⁷	7818 562 ⁷	
023	Comb. Chamber Insert	7820 297 ²¹	7820 297 ²¹	7820 297 ²¹	
202	Top Panel-Front	7825 164 ¹¹	7825 164 ¹¹	7825 164 ¹¹	
203	Side Panel, Left	7825 169 ¹⁴	7825 170 ¹⁴	7825 170 ¹⁴	
204	Insulation Blkt	7825 172 ¹³	7825 173 ¹⁴	7825 173 ¹⁴	
205	Back Panel	7825 163 ¹³	7825 163 ¹³	7825 163 ¹³	
206	Insulation Blkt-Rear	7823 975 ⁵	7823 975 ⁵	7823 975 ⁵	
207	Front Panel	7825 161 ¹⁶	7825 161 ¹⁶	7825 161 ¹⁶	
208	Support Bracket	7825 162 ¹⁴	7825 162 ¹⁴	7825 162 ¹⁴	
209	Top Panel-Rear	7825 166 ¹¹	7825 167 ¹¹	7825 167 ¹¹	
210	Side Panel, Right	7825 176 ¹⁴	7825 177 ¹⁴	7825 177 ¹⁴	
211	Nameplate "Vitorond 100"	7825 471 ⁵	7825 471 ⁵	7825 471 ⁵	
212	Cover, Edgemolding	7819 438 ⁴	7819 438 ⁴	7819 438 ⁴	
215	Cover Plate	7828 145 ¹³	7828 145 ¹³	7828 145 ¹³	
300	Touch-UP Spray Paint Vitotec, SIL	7819 545 ⁹	7819 545 ⁹	7819 545 ⁹	
301	Touch-UP Paint Stk Vitotec SIL	7819 546 ⁵	7819 546 ⁵	7819 546 ⁵	
400	Installation Fittings for aquastat applications	7134 849 ³⁵	7134 849 ³⁵	7134 849 ³⁵	
401	Sediment Faucet, 3/4" NPT	9542 942 ⁵	9542 942 ⁵	9542 942 ⁵	
402	Pr.Rel Valve, 3/4" (FF) 30PSI	9542 940 ⁸	9542 940 ⁸	9542 940 ⁸	
403	Vent Pipe Adaptor, 5"	9542 935 ⁶	9542 935 ⁶	9542 935 ⁶	
404	Sensor Well f HW L8148A1124	9560 935 ¹⁰	9560 935 ¹⁰	9560 935 ¹⁰	
405	Access. Pack (Brnr.Inst.Hdwr)	7134 482 ⁸	7134 482 ⁸	7134 482 ⁸	
406	Temp. + Pr. Gage "WAKAll"	7823 242 ⁹	7823 242 ⁹	7823 242 ⁹	
407	Aquastat (electr) L7248C1006B	9577 488 ²⁴	9577 488 ²⁴	9577 488 ²⁴	
408	Burner Cable 85" (4-wire)	9516 897 ¹²	9516 897 ¹²	9516 897 ¹²	
500	Installation Fittings for Vitotronic applications	7134 851 ³⁶	7134 851 ³⁶	7134 851 ³⁶	
501	Sediment Faucet, 3/4" NPT	9542 942 ⁵	9542 942 ⁵	9542 942 ⁵	
502	Pr.Rel Valve, 3/4" (FF) 30PSI	9542 940 ⁸	9542 940 ⁸	9542 940 ⁸	
503	Vent Pipe Adaptor, 5"	9542 935 ⁶	9542 935 ⁶	9542 935 ⁶	
504	Junction Box	7133 638 ¹⁸	7133 638 ¹⁸	7133 638 ¹⁸	
505	Access. Pack (Brnr.Inst.Hdwr)	7134 482 ⁸	7134 482 ⁸	7134 482 ⁸	
506	Temp. + Pr. Gage "WAKAll"	7823 242 ⁹	7823 242 ⁹	7823 242 ⁹	
507	Control Cable w #41 Plug	7196 808 ⁸	7196 808 ⁸	7196 808 ⁸	
508	Burner Cable (#41) f VR1 w Vitotronic	7262 277 ¹³	7262 277 ¹³	7262 277 ¹³	continued

VITOROND 100

compatible with Aquastat and Vitotronic

Vitorond 100	VR1-22	VR1-27	VR1-33	
--------------	--------	--------	--------	--

General Info	Price List Section:	1.4		
	Parts Catalog Section:	04		
	Series Name:	VR1 (11/2007 - present)		
	Applies to serials nos. beginning with:	7249048...	7249049...	7249050...
	Accurate as of:	07/01/2012		

Parts List

Please refer to: Parts List
Pos. Description

Part Numbers / Price Categories

509	Vitotronic Retrofit Housing	7282 852 ²²	7282 852 ²²	7282 852 ²²	
510	Return Injector Nozzle	7828 186 ¹⁶	7828 186 ¹⁶	7828 186 ¹⁶	
600	Install/Service/Oper.Instr.	5351 290 ^L	5351 290 ^L	5351 290 ^L	
601	Install. Instr. Direct Vent	5351 050 ^L	5351 050 ^L	5351 050 ^L	
602	Warranty Sheet Cast-Iron, Residential	5348 719 ^L	5348 719 ^L	5348 719 ^L	

Notes:

*1 IMPORTANT Ships with 7303945 Adhesive.

"n.a." indicates not applicable.

"W" indicates wearing part (service).

"L" indicates literature (no charge).

"Kit" or "Other" indicates that this is not a Price Category item; contact Inside Sales for pricing.

"D" indicates discontinued.

Parts List



VITOROND 100 VR1 Series

Model No.	Serial No.
VR1-22	7249048□□□□□□□□
VR1-27	7249049□□□□□□□□
VR1-33	7249050□□□□□□□□

Ordering Replacement Parts:

Please provide boiler Model and Serial Number from rating plate when ordering replacement parts. Order replacement components from your Viessmann distributor.

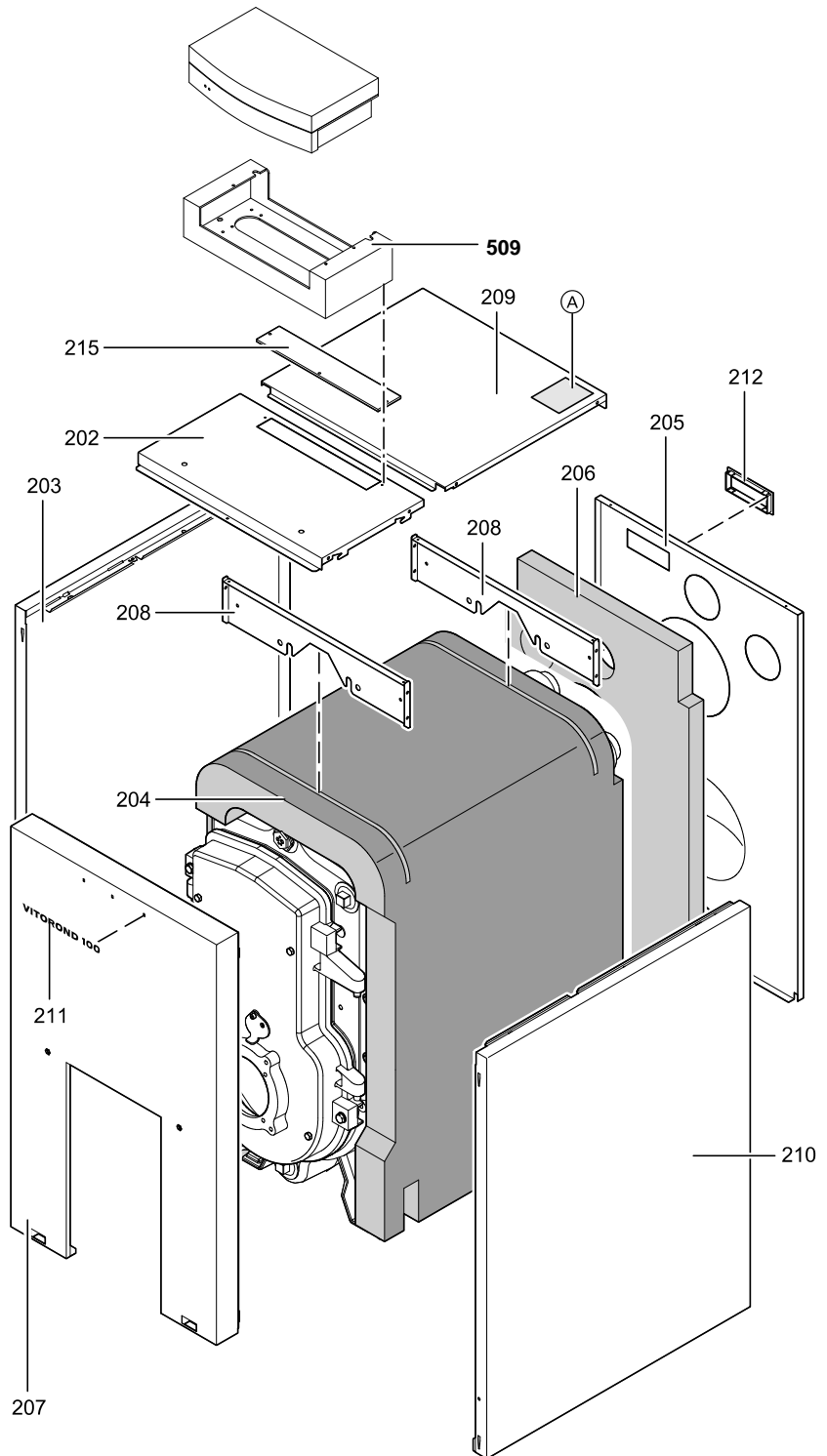
Parts

- 202 Top panel, front
- 203 Side panel, left
- 204 Insulation blanket
- 205 Back panel
- 206 Insulation blanket, rear
- 207 Front panel
- 208 Support bracket
- 209 Top panel, rear
- 210 Side panel, right
- 211 Nameplate "Vitorond 100"
- 212 Cover, edgemolding
- 215 Cover plate
- 509 Vitotronic retrofit housing

Other Parts (not illustrated)

- 300 Touch-up spray paint, Vitotec silver
- 301 Touch-up paint stick, Vitotec silver
- 400 Installation fittings for aquastat applications
- 500 Installation fittings for Vitotronic applications
- 600 Installation, Service and Operating Instructions
- 601 Installation Instructions, Direct Vent
- 602 Warranty Sheet, Cast-Iron / Residential

Ⓐ Rating plate (location of serial no.)



Please file in Service Binder

VITOROND 100

VR1 Series

Parts

- 001 5-Point sensor well
- 002 Combustion chamber door refractory
- 003 Combustion chamber door
- 004 Hinge bracket
- 005 Glass-fiber gasket, 16 x 12 L=2000 mm
- 006 Glass-fiber gasket, 3x116 mm *1
- 008 Observation port cover
- 011 Turbulator insert, x2 2nd pass, VR1-22 *2
- 012 Turbulator insert, x2 VR1-33 *3
- 014 Turbulator insert, x1 VR1-33 *3
- 023 Combustion chamber insert

400 Installation fittings

for aquastat applications

- 401 Sediment faucet, 3/4" NPT
- 402 Pressure relief valve, 30 psig
- 403 Vent pipe adaptor, 5"
- 404 Sensor well
- 405 Accessory pack, burner installation hardware
- 406 Temperature and pressure gage
- 407 Aquastat
- 408 Burner cable 85", 4-wire *4

500 Installation fittings

for Vitotronic applications

- 501 Sediment faucet, 3/4" NPT
- 502 Pressure relief valve, 30 psig
- 503 Vent pipe adaptor, 5"
- 504 Junction box *4
- 505 Accessory pack, burner installation hardware
- 506 Temperature and pressure gage
- 507 Control cable with #41 plug *4
- 508 Burner cable (#41) *4
- 510 Return injector nozzle

Wear Parts

- 016 Cleaning brush handle 800mm, M10 *5
- 017 Cleaning brush (no handle) *5

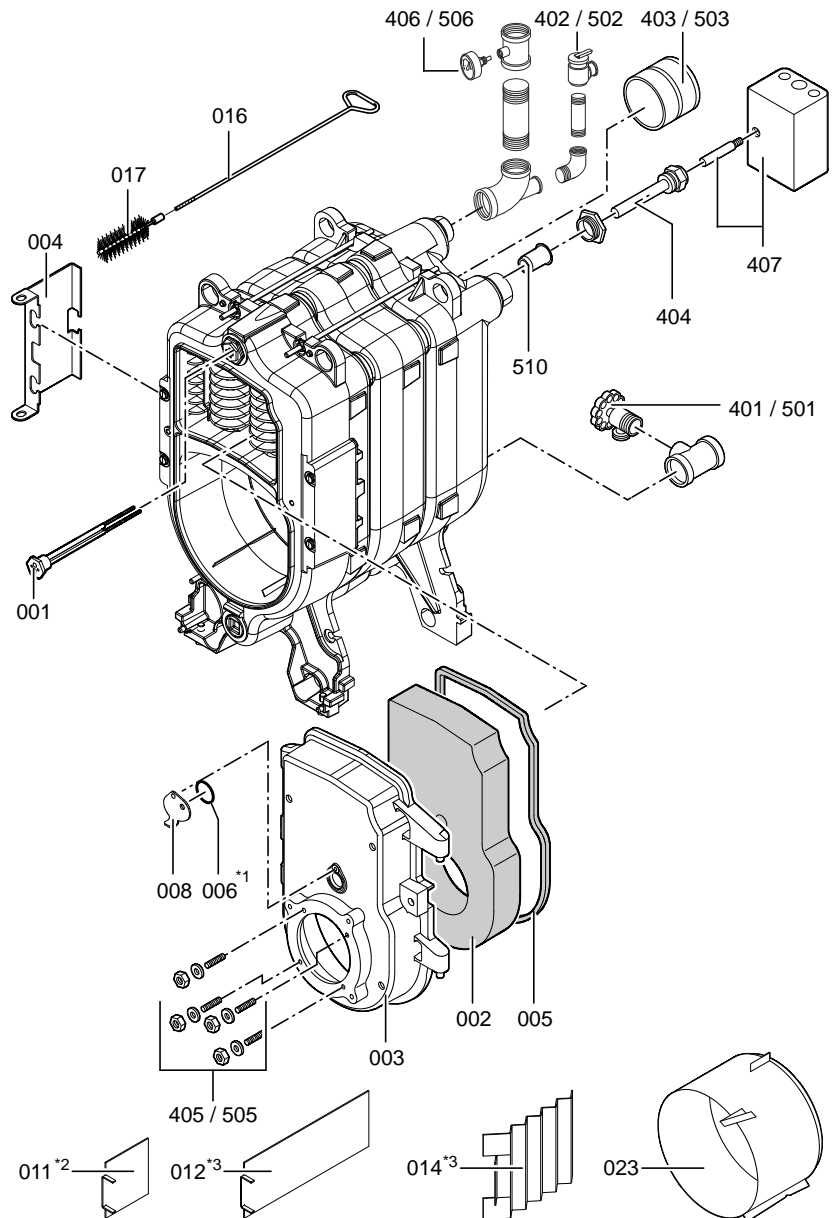
*1 sold with adhesive

*2 for VR1-22 only

*3 for VR1-33 only

*4 not shown on diagram

*5 optional - not standard equipment of boiler



5352 510

VITOROND 100

compatible with Aquastat and Vitotronic

Vitorond 100	VR1-40	VR1-50	VR1-63	
General Info	Price List Section: 1.4			
	Parts Catalog Section 04			
	Series Name: VR1 (11/2007 - present)			
	Applies to serials nos. beginning with: 7344556... 7344557... 7344558...			
	Accurate as of: 07/01/2012			

Parts List

Please refer to: Parts List
Pos. Description

Part Numbers / Price Categories

Pos.	Description	7812 102 ¹²	7812 102 ¹²	7812 102 ¹²	
001	5-Point Sensor Well	7812 102 ¹²	7812 102 ¹²	7812 102 ¹²	
002	Comb.Chbr.Dr.Refr.	7818 456 ²²	7818 456 ²²	7818 456 ²²	
003	Comb. Chamber Door	7822 661 ²⁹	7822 661 ²⁹	7822 661 ²⁹	
004	Hinge Bracket	7817 538 ⁸	7817 538 ⁸	7817 538 ⁸	
005	Gasket GF 16 x 12 l= 2000	7820 301 ¹⁰	7820 301 ¹⁰	7820 301 ¹⁰	
006 ^{*1}	Gasket GF, 3x116mm	7314 414 ^{KIT}	7314 414 ^{KIT}	7314 414 ^{KIT}	
008	Observ. Port Cover	7819 163 ⁴	7819 163 ⁴	7819 163 ⁴	
010	Gasket GF 16 x 12 l= 1000	7820 851 ⁸	7820 851 ⁸	7820 851 ⁸	
013	Turbulator Insert	7818 150 ¹¹	7818 150 ¹¹	7818 150 ¹¹	
014	Turbulator Insert	7824 796 ¹⁵	n.a. ^{n.a.}	n.a. ^{n.a.}	
016	Cleaning Brush Handle 800mm	7818 326 ⁷	7818 326 ⁷	7818 326 ⁷	
017	Cleaning Brush (No Handle)	7818 220 ⁶	7818 220 ⁶	7818 220 ⁶	
018 ^{*2}	Front Section (ASME)	7823 626 ⁵¹	7823 626 ⁵¹	7823 626 ⁵¹	
019 ^{*2}	Mid Section (ASME)	7824 797 ⁵⁸	7824 797 ⁵⁸	7824 797 ⁵⁸	
020 ^{*2}	Rear Section (ASME)	7824 813 ⁶²	7824 813 ⁶²	7824 813 ⁶²	
023	Comb. Chamber Insert	7820 298 ²²	7820 298 ²²	7820 298 ²²	
202	Top Panel-Front	7825 226 ²³	7825 226 ²³	7825 226 ²³	
203	Side Panel, Left	7825 211 ²⁸	7825 212 ²⁸	7825 213 ²⁸	
204	Insulation Blkt	7822 457 ¹⁵	7822 458 ¹⁶	7822 459 ¹⁷	
205	Back Panel	7825 222 ²⁰	7825 222 ²⁰	7825 222 ²⁰	
206	Insulation Blkt-Rear	7823 267 ¹⁰	7823 267 ¹⁰	7823 267 ¹⁰	
207	Front Panel	7825 238 ²⁰	7825 238 ²⁰	7825 238 ²⁰	
208	Support Bracket	7825 234 ¹⁸	7825 234 ¹⁸	7825 234 ¹⁸	
209	Top Panel-Rear	7825 232 ²⁶	7825 207 ²⁶	7825 208 ²³	
210	Side Panel, Right	7823 633 ²⁸	7823 636 ²⁸	7823 637 ²⁸	
211	Nameplate "Vitorond 100"	7825 471 ⁵	7825 471 ⁵	7825 471 ⁵	
212	Cover, Edgemolding	7819 438 ⁴	7819 438 ⁴	7819 438 ⁴	
215	Cover Plate	7828 145 ¹³	7828 145 ¹³	7828 145 ¹³	
300	Touch-UP Spray Paint Vitotec, SIL	7819 545 ⁹	7819 545 ⁹	7819 545 ⁹	
301	Touch-UP Paint Stk Vitotec SIL	7819 546 ⁵	7819 546 ⁵	7819 546 ⁵	
304	Access. Pack (Insulation)	7825 314 ⁸	7825 314 ⁸	7825 314 ⁸	
305 ^{*2}	Split Kit, VR1-40/50/63 (1 section)	7821 010 ⁹	7821 010 ⁹	7821 010 ⁹	
400	Installation Fittings for aquastat applications	7134 850 ³⁶	7134 850 ³⁶	7134 850 ³⁶	
401	Sediment Faucet, 3/4" NPT	9542 942 ⁵	9542 942 ⁵	9542 942 ⁵	
402	Pr.Rel Valve, 3/4" (FF) 30PSI	9542 940 ⁸	9542 940 ⁸	9542 940 ⁸	
403	Vent Pipe Adaptor, 6"	9560 978 ⁷	9560 978 ⁷	9560 978 ⁷	
404	Sensor Well f HW L8148A1124	9560 935 ¹⁰	9560 935 ¹⁰	9560 935 ¹⁰	
405	Access. Pack (Bnr.Inst.Hdwr)	7134 482 ⁸	7134 482 ⁸	7134 482 ⁸	
406	Temp. + Pr. Gage "WAKAll"	7823 242 ⁹	7823 242 ⁹	7823 242 ⁹	
407	Aquastat (electr) L7248C1006B	9577 488 ²⁴	9577 488 ²⁴	9577 488 ²⁴	
408	Burner Cable 85" (4-wire)	9516 897 ¹²	9516 897 ¹²	9516 897 ¹²	
500	Installation Fittings for Vitotronic applications	7134 852 ³⁷	7134 852 ³⁷	7134 852 ³⁷	
501	Sediment Faucet, 3/4" NPT	9542 942 ⁵	9542 942 ⁵	9542 942 ⁵	
502	Pr.Rel Valve, 3/4" (FF) 30PSI	9542 940 ⁸	9542 940 ⁸	9542 940 ⁸	
503	Vent Pipe Adaptor, 6"	9560 978 ⁷	9560 978 ⁷	9560 978 ⁷	continued

VITOROND 100

compatible with Aquastat and Vitotronic

Vitorond 100	VR1-40	VR1-50	VR1-63	
General Info	Price List Section: 1.4			
	Parts Catalog Section 04			
	Series Name: VR1 (11/2007 - present)			
	Applies to serials nos. beginning with: 7344556... 7344557... 7344558...			
	Accurate as of: 07/01/2012			

Parts List

Please refer to: Parts List

Pos. Description Part Numbers / Price Categories

504	Junction Box	7133 638 ¹⁸	7133 638 ¹⁸	7133 638 ¹⁸	
505	Access. Pack (Brnr.Inst.Hdwr)	7134 482 ⁸	7134 482 ⁸	7134 482 ⁸	
506	Temp. + Pr. Gage "WAKAll"	7823 242 ⁹	7823 242 ⁹	7823 242 ⁹	
507	Control Cable w #41 Plug	7196 808 ⁸	7196 808 ⁸	7196 808 ⁸	
508	Burner Cable (#41) f VR1 w Vitotronic	7262 277 ¹³	7262 277 ¹³	7262 277 ¹³	
509	Vitotronic Retrofit Housing	7282 852 ²²	7282 852 ²²	7282 852 ²²	
510	Return Injector Nozzle	7828 187 ¹⁵	7828 187 ¹⁵	7828 187 ¹⁵	
600	Install/Service/Oper.Instr.	5351 291 ^L	5351 291 ^L	5351 291 ^L	
602	Warranty Sheet Cast-Iron, Residential	5348 719 ^L	5348 719 ^L	5348 719 ^L	

Notes:

*1 IMPORTANT Ships with 7303945 adhesive.

*2 IMPORTANT Each replacement cast-iron section must be sold with a split kit.

"n.a." indicates not applicable.

"W" indicates wearing part (service).

"L" indicates literature (no charge).

"Kit" or "Other" indicates that this is not a Price Category item; contact Inside Sales for pricing.

"D" indicates discontinued.

Parts List

VITOROND 100 VR1 Series

Model No.	Serial No.
VR1-40	7344556□□□□□□□□
VR1-50	7344557□□□□□□□□
VR1-63	7344558□□□□□□□□

Ordering Replacement Parts:
Please provide boiler Model and Serial Number from rating plate when ordering replacement parts. Order replacement components from your Viessmann distributor.

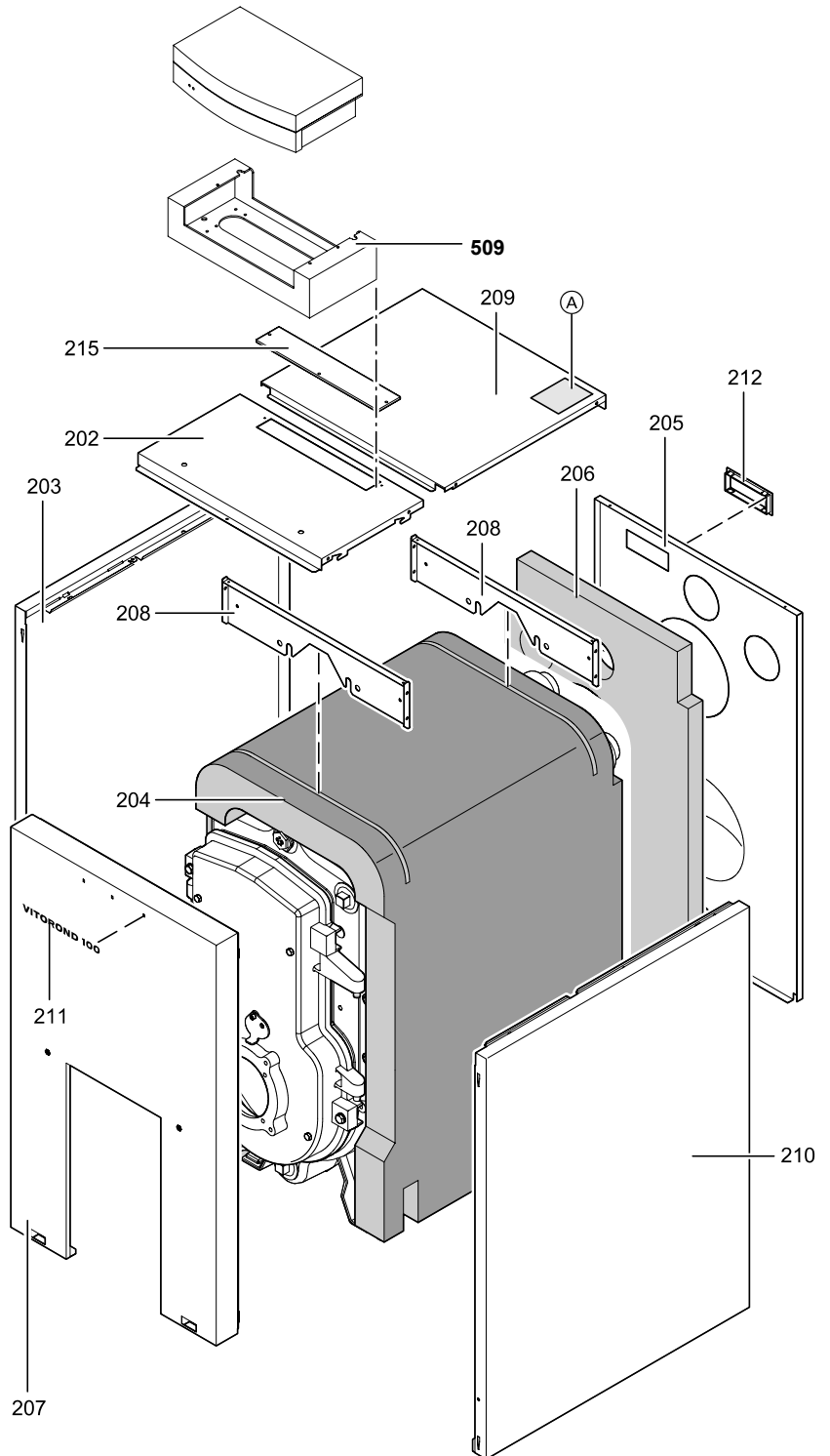
Parts

- 202 Top panel, front
- 203 Side panel, left
- 204 Insulation blanket
- 205 Back panel
- 206 Insulation blanket, rear
- 207 Front panel
- 208 Support bracket
- 209 Top panel, rear
- 210 Side panel, right
- 211 Nameplate "Vitorond 100"
- 212 Cover, edgemolding
- 215 Cover plate
- 509 Vitotronic retrofit housing

Other Parts (not illustrated)

- 300 Touch-up spray paint, Vitotec, silver
- 301 Touch-up paint stick, Vitotec silver
- 304 Accessory pack, small parts for insulation jacket
- 400 Installation fittings for Aquastat applications
- 500 Installation fittings for Vitotronic applications
- 600 Installation, Service and Operating Instructions
- 602 Warranty Sheet, Cast-Iron / Residential

Ⓐ Rating plate (location of serial no.)



Please file in Service Binder

VITOROND 100

VR1 Series

Parts

- 001 5-Point sensor well
- 002 Combustion chamber door refractory
- 003 Combustion chamber door
- 004 Hinge bracket
- 005 Glass-fiber gasket, 16 x 12 L=2000 mm
- 006 Glass-fiber gasket, 3 x 116 mm *1
- 008 Observation port cover
- 010 Glass-fiber gasket, 16 x 12 L=1000 mm
- 013 Turbulator insert *2
- 014 Turbulator insert *3
- 018 Front section (ASME) *6
- 019 Mid section (ASME) *6
- 020 Rear section (ASME) *6
- 023 Combustion chamber insert
- 305 Split kit for 1 cast-iron section *6

400 Installation fittings

for Aquastat applications

- 401 Sediment faucet, 3/4" NPT
- 402 Pressure relief valve, 30 psig
- 403 Vent pipe adaptor, 6"
- 404 Sensor well
- 405 Accessory pack, burner installation hardware
- 406 Temperature and pressure gage
- 407 Aquastat
- 408 Burner cable 85", 4-wire *4

500 Installation fittings

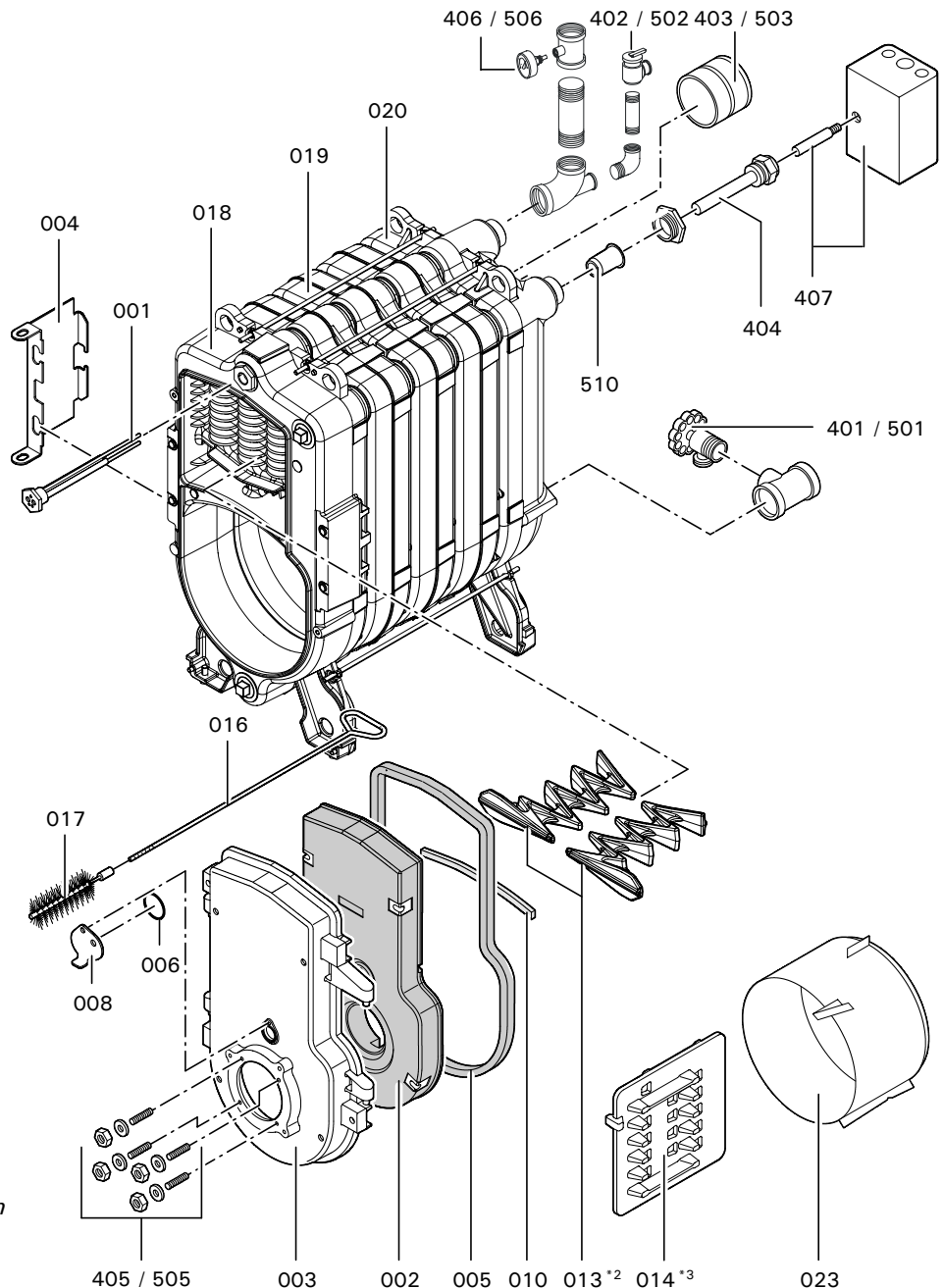
for Vitotronic applications

- 501 Sediment faucet, 3/4" NPT
- 502 Pressure relief valve, 30 psig
- 503 Vent pipe adaptor, 6"
- 504 Junction box *4
- 505 Accessory pack, burner installation hardware
- 506 Temperature and pressure gage
- 507 Control cable with #41 plug *4
- 508 Burner cable (#41) *4
- 510 Return injector nozzle

Wear Parts

- 016 Cleaning brush handle 800mm *5
- 017 Cleaning brush (no handle) *5

- *1 sold with adhesive
- *2 for VR1-40/50/63
- *3 for VR1-40 only
- *4 not shown on diagram
- *5 optional - not standard equipment of boiler
- *6 each replacement cast-iron section must be sold with a split kit



VITOROND 100

Vitorond 100	VR1-22	VR1-27	VR1-33	
--------------	--------	--------	--------	--

General Info	Price List Section:			
	Parts Catalog Section:	04		
	Series Name:	VR1 (08/2004 - present)		
	Applies to serials nos. beginning with:	7134474...	7134475...	7134476...
	Accurate as of:	07/01/2012		

Parts List

Please refer to: Parts List
Pos. Description

Part Numbers / Price Categories

Pos.	Description	Part Numbers / Price Categories	Part Numbers / Price Categories	Part Numbers / Price Categories	Part Numbers / Price Categories
002	Top Panel	7823 245 ¹⁴	7823 246 ¹⁴	7823 246 ¹⁴	
003	Side Panel (Left/Right)	7823 247 ¹⁵	7823 248 ¹⁵	7823 248 ¹⁵	
004	Insulation Blkt	7817 567 ¹³	7825 173 ¹⁴	7825 173 ¹⁴	
005	Back Panel	7823 244 ¹³	7823 244 ¹³	7823 244 ¹³	
006	Insulation Blkt-Rear	7817 565 ⁹	7817 565 ⁹	7817 565 ⁹	
007	Front Panel	7823 243 ¹⁷	7823 243 ¹⁷	7823 243 ¹⁷	
011	Nameplate Viessmann	5271 202 ²	5271 202 ²	5271 202 ²	
016	Comb. Chamber Door Refr.	7819 436 ¹⁸	7819 436 ¹⁸	7819 436 ¹⁸	
018	Comb. Chamber Door	7819 421 ²⁵	7819 421 ²⁵	7819 421 ²⁵	
019	Hinge Bracket	7817 538 ⁸	7817 538 ⁸	7817 538 ⁸	
020 ^{*1}	Packing Seal, 12x16x2000mm	7820 301 ¹⁰	7820 301 ¹⁰	7820 301 ¹⁰	
022 ^{*1}	Packing Seal, 3x116mm	7314 413 ⁴	7314 413 ⁴	7314 413 ⁴	
023	Flue Gas Collector	7818 595 ¹⁵	7818 595 ¹⁵	7818 595 ¹⁵	
024	Port Cover	7819 163 ⁴	7819 163 ⁴	7819 163 ⁴	
033	Touch-UP Paint Stk Vitotec SIL	7819 546 ⁵	7819 546 ⁵	7819 546 ⁵	
034	Touch-UP Spray Paint Vitotec SIL	7819 545 ⁹	7819 545 ⁹	7819 545 ⁹	
036	Sealant Rope, 10 x 10	7820 299 ⁸	7820 299 ⁸	7820 299 ⁸	
037	Cleaning Brush Handle 800mm, M10	7815 076 ⁷	7815 076 ⁷	7815 076 ⁷	
038 W	Cleaning Brush (No Handle)	7818 562 ⁷	7818 562 ⁷	7818 562 ⁷	
042	Turbulator Insert 2nd Pass	7822 242 ^D	n.a. ^{n.a.}	n.a. ^{n.a.}	
043	Turbulator Insert	n.a. ^{n.a.}	n.a. ^{n.a.}	7819 416 ¹⁴	
045	Turbulator Insert	n.a. ^{n.a.}	n.a. ^{n.a.}	7820 046 ¹⁰	
062	Temp. & Pr. Gage "WAKAI"	7823 242 ⁹	7823 242 ⁹	7823 242 ⁹	
063	Support Bracket	7823 249 ⁸	7823 249 ⁸	7823 249 ⁸	continued

VITOROND 100

Vitorond 100	VR1-22	VR1-27	VR1-33	
--------------	--------	--------	--------	--

General Info	Price List Section:			
	Parts Catalog Section:	04		
	Series Name:	VR1 (08/2004 - present)		
	Applies to serials nos. beginning with:	7134474...	7134475...	7134476...
	Accurate as of:	07/01/2012		

Parts List

Please refer to: Parts List
Pos. Description

Part Numbers / Price Categories

Pos.	Description	Part Numbers / Price Categories
100 *1	Adhesive, 100ml	9544 898 ⁸ 9544 898 ⁸ 9544 898 ⁸
101	Aquastat, L8148A1124	9577 488 ²⁴ 9577 488 ²⁴ 9577 488 ²⁴
102	Sensor Well	9560 935 ¹⁰ 9560 935 ¹⁰ 9560 935 ¹⁰
103	Access. Pack (Brnr.Inst.Hdwr)	7134 482 ⁸ 7134 482 ⁸ 7134 482 ⁸
104	Sediment Faucet, 3/4"	9542 942 ⁵ 9542 942 ⁵ 9542 942 ⁵
105	Pr.Rel Valve, 3/4" (FF) 30PSI	9542 940 ⁸ 9542 940 ⁸ 9542 940 ⁸
106	Vent Pipe Adaptor, 5"	9542 935 ⁶ 9542 935 ⁶ 9542 935 ⁶
107	Install/Service/Oper.Instr.	5285 705 ^L 5285 705 ^L 5285 705 ^L
108	Parts List	5285 690 ^L 5285 690 ^L 5285 690 ^L
109	Cleaning Brush w Handle	7242 365 ¹⁰ 7242 365 ¹⁰ 7242 365 ¹⁰
110 *2	Combustion Chamber Insert	7820 297 ²¹ 7820 297 ²¹ 7820 297 ²¹

Notes:

*1 IMPORTANT **Always** order Adhesive 100 with fiber rope seal 020 and/or 022.

*2 IMPORTANT Combustion chamber inserts are necessary for Riello burners only.

"n.a." indicates not applicable.

"W" indicates wearing part (service).

"L" indicates literature (no charge).

"Kit" or "Other" indicates that this is not a Price Category item; contact Inside Sales for pricing.

"D" indicates discontinued.

Parts List

VITOROND 100 VR1 Series

Model No.	Serial No.
VR1-22	7134474□□□□□□□□
VR1-27	7134475□□□□□□□□
VR1-33	7134476□□□□□□□□

Ordering Replacement Parts:

Please provide boiler Model and Serial Number from rating plate when ordering replacement parts. Order replacement components from your Viessmann distributor.

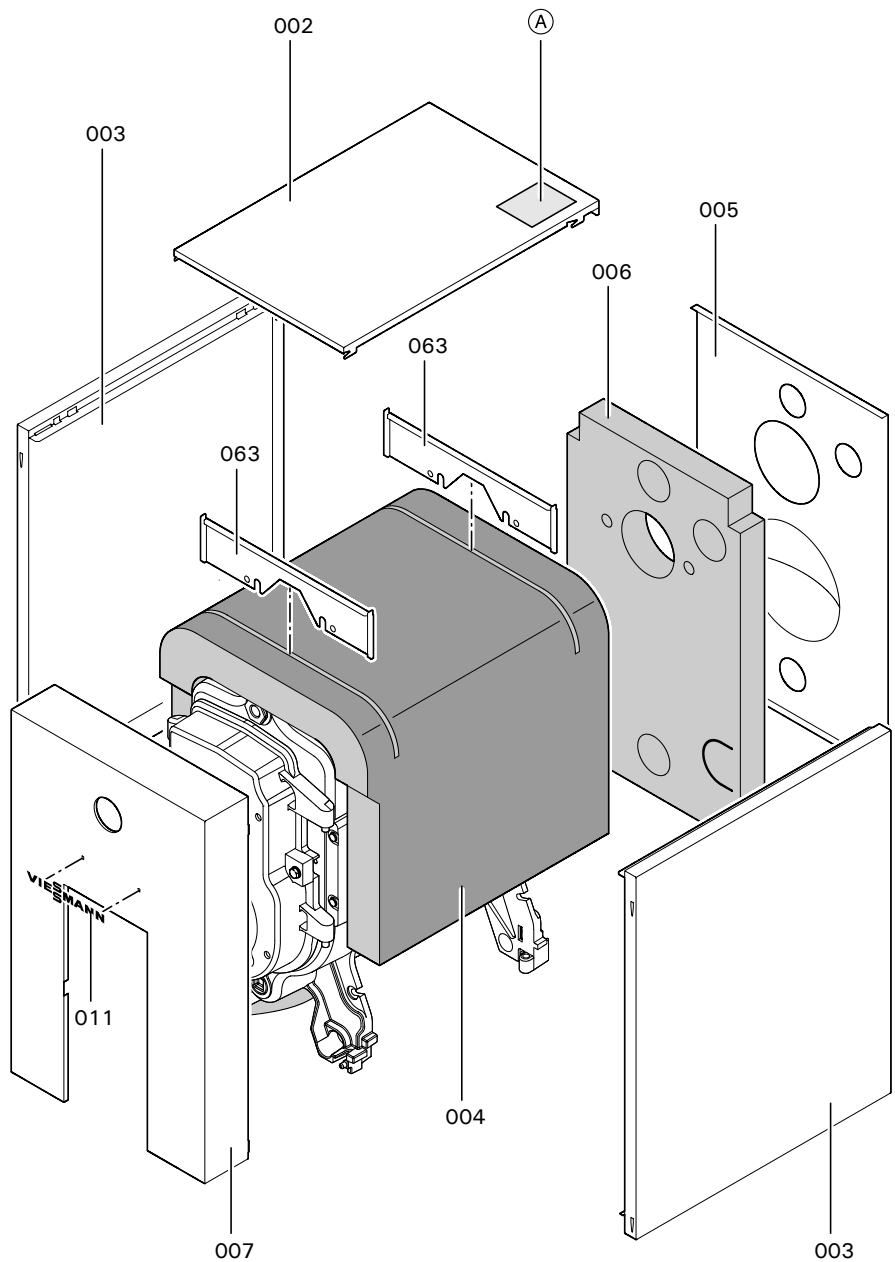
Parts

- 002 Top panel
- 003 Side panel (left/right)
- 004 Insulation blanket
- 005 Back panel
- 006 Insulation blanket-rear
- 007 Front panel
- 011 Nameplate Viessmann
- 063 Support bracket

Other Parts (not illustrated)

- 033 Touch-up paint stick Vitotec silver
- 034 Touch-up spray paint Vitotec silver
- 037 Cleaning brush
handle 800mm, M10
- 100 Adhesive, 100ml
- 107 Installation/Service/Operating
Instructions
- 108 Parts List

- Ⓐ Rating plate
(location of serial no.)



Please file in Service Binder

VITOROND 100

VR1 Series

Parts

- 016 Combustion chamber door refractory
- 018 Combustion chamber door
- 019 Hinge bracket
- 020 Packing seal, 12x16x2000mm
- 022 Packing seal, 3x116mm
- 023 Flue gas collector
- 024 Port cover
- 036 Sealant rope, 10 x 10
- 042 Turbulator insert
- 043 Turbulator insert
- 045 Turbulator insert
- 062 Temperature and pressure gage
- 101 Aquastat, L8148a1124
- 102 Sensor well
- 103 Accessory pack, burner installation hardware
- 104 Sediment faucet, 3/4"
- 105 Pressure relief valve, 3/4" 30psig
- 106 Vent pipe adaptor, 5"
- 110 Combustion Chamber Insert (for Riello burners only)

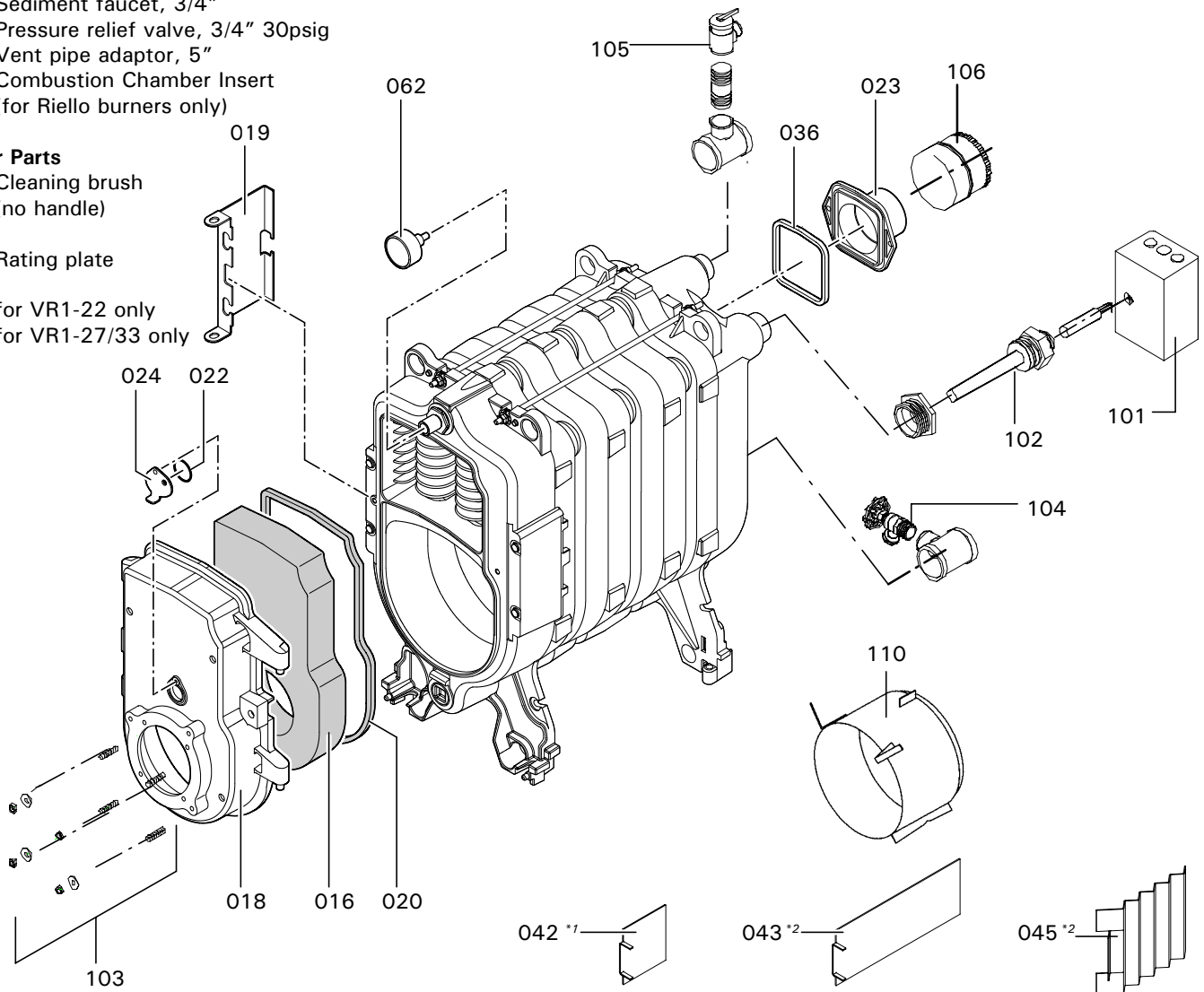
Wear Parts

- 038 Cleaning brush (no handle)

Ⓐ Rating plate

*1 for VR1-22 only

*2 for VR1-27/33 only



5285 690

VITOROND 100

Vitorond 100	VR1-40	VR1-50	VR1-63	
--------------	--------	--------	--------	--

General Info	Price List Section:			
	Parts Catalog Section	04		
	Series Name:	VR1 (08/2004 - present)		
	Applies to serials nos. beginning with:	7134477...	7134478...	7134479...
	Accurate as of:	07/01/2012		

Parts List

Please refer to: Parts List
Pos. Description

Part Numbers / Price Categories

Pos.	Description	Part Numbers / Price Categories
002	Top Panel	7823 255 ¹⁵ 7823 256 ¹⁶ 7823 257 ¹⁷
003	Side Panel (Left/Right)	7823 258 ¹⁶ 7823 259 ¹⁷ 7823 260 ¹⁸
004	Insulation Blkt	7822 457 ¹⁵ 7822 458 ¹⁶ 7822 459 ¹⁷
005	Back Panel	7823 254 ¹⁵ 7823 254 ¹⁵ 7823 254 ¹⁵
006	Insulation Blkt-Rear	7822 456 ¹⁰ 7822 456 ¹⁰ 7822 456 ¹⁰
007	Front Panel	7823 253 ¹⁹ 7823 253 ¹⁹ 7823 253 ¹⁹
010	Nameplate Viessmann	5271 202 ² 5271 202 ² 5271 202 ²
019	Touch-UP Spray Paint Vitotec SIL	7819 545 ⁹ 7819 545 ⁹ 7819 545 ⁹
020	Touch-UP Paint Stk Vitotec SIL	7819 546 ⁵ 7819 546 ⁵ 7819 546 ⁵
023	Comb. Chamber Door Refr.	7818 456 ²² 7818 456 ²² 7818 456 ²²
024	Comb. Chamber Door	7822 661 ²⁹ 7822 661 ²⁹ 7822 661 ²⁹
025	Hinge Bracket	7817 538 ⁸ 7817 538 ⁸ 7817 538 ⁸
026 ^{*1}	Packing Seal, 12x16x2000mm	7820 301 ¹⁰ 7820 301 ¹⁰ 7820 301 ¹⁰
027 ^{*1}	Packing Seal, 12x16x1000mm	7820 851 ⁸ 7820 851 ⁸ 7820 851 ⁸
028 ^{*1}	Packing Seal, 3x116mm	7314 413 ⁴ 7314 413 ⁴ 7314 413 ⁴
030	Observ. Port Cover	7819 163 ⁴ 7819 163 ⁴ 7819 163 ⁴
037 W	Cleaning Brush (No Handle)	7818 220 ⁶ 7818 220 ⁶ 7818 220 ⁶
041	Cleaning Brush Handle 800mm,M10	7818 326 ⁷ 7818 326 ⁷ 7818 326 ⁷
042	Turbulator Insert (1st pass)	7818 150 ¹¹ 7818 150 ¹¹ 7818 150 ¹¹
043	Front Section (ASME)	7823 239 ⁵⁰ 7823 239 ⁵⁰ 7823 239 ⁵⁰
044	Mid Section (ASME)	7820 970 ⁴⁹ 7820 970 ⁴⁹ 7820 970 ⁴⁹
045	Rear Section (ASME)	7823 240 ⁴⁹ 7823 240 ⁴⁹ 7823 240 ⁴⁹
046	Split Kit, VR1-40/50/63 (1 section)	7821 010 ⁹ 7821 010 ⁹ 7821 010 ⁹
047	Turbulator Insert (2nd pass)	7817 819 ¹⁰ n.a. ^{n.a.} n.a. ^{n.a.} continued

VITOROND 100

Vitorond 100	VR1-40	VR1-50	VR1-63	
--------------	--------	--------	--------	--

General Info	Price List Section:			
	Parts Catalog Section	04		
	Series Name:	VR1	(08/2004 - present)	
	Applies to serials nos. beginning with:	7134477...	7134478...	7134479...
	Accurate as of:	07/01/2012		

Parts List

Please refer to: Parts List
Pos. Description

Part Numbers / Price Categories

Pos.	Description	Part Numbers / Price Categories	Part Numbers / Price Categories	Part Numbers / Price Categories
062	Temp. & Pr. Gage "WAKAll"	7823 242 ⁹	7823 242 ⁹	7823 242 ⁹
063	Support Bracket	7823 261 ⁸	7823 261 ⁸	7823 261 ⁸
100 ^{*1}	Adhesive, 100ml	9544 898 ⁸	9544 898 ⁸	9544 898 ⁸
101	Aquastat, L8148A1124	9577 488 ²⁴	9577 488 ²⁴	9577 488 ²⁴
102	Sensor Well	9560 935 ¹⁰	9560 935 ¹⁰	9560 935 ¹⁰
103	Access. Pack (Brnr.Inst.Hdwr)	7134 482 ⁸	7134 482 ⁸	7134 482 ⁸
104	Sediment Faucet, 3/4" NPT	9542 942 ⁵	9542 942 ⁵	9542 942 ⁵
105	Pr.Rel Valve, 3/4" (FF) 30PSI	9542 940 ⁸	9542 940 ⁸	9542 940 ⁸
107	Install/Service/Oper.Instr.	5285 706 ^L	5285 706 ^L	5285 706 ^L
108	Parts List	5285 691 ^L	5285 691 ^L	5285 691 ^L
109	Cleaning Brush w Handle	7242 286 ¹⁰	7242 286 ¹⁰	7242 286 ¹⁰
110 ^{*2}	Combustion Chamber Insert	7820 298 ²²	7820 298 ²²	7820 298 ²²

Notes:

*1 IMPORTANT **Always** order Adhesive 100 with fiber rope seal 026, 027 and/or 028.

*2 IMPORTANT Combustion chamber inserts are necessary for Riello burners only.

"n.a." indicates not applicable.

"W" indicates wearing part (service).

"L" indicates literature (no charge).

"Kit" or "Other" indicates that this is not a Price Category item; contact Inside Sales for pricing.

"D" indicates discontinued.

Parts List



VITOROND 100 VR1 Series

Model No.	Serial No.
VR1-40	7134477□□□□□□□□
VR1-50	7134478□□□□□□□□
VR1-63	7134479□□□□□□□□

Ordering Replacement Parts:

Please provide boiler Model and Serial Number from rating plate when ordering replacement parts. Order replacement components from your Viessmann distributor.

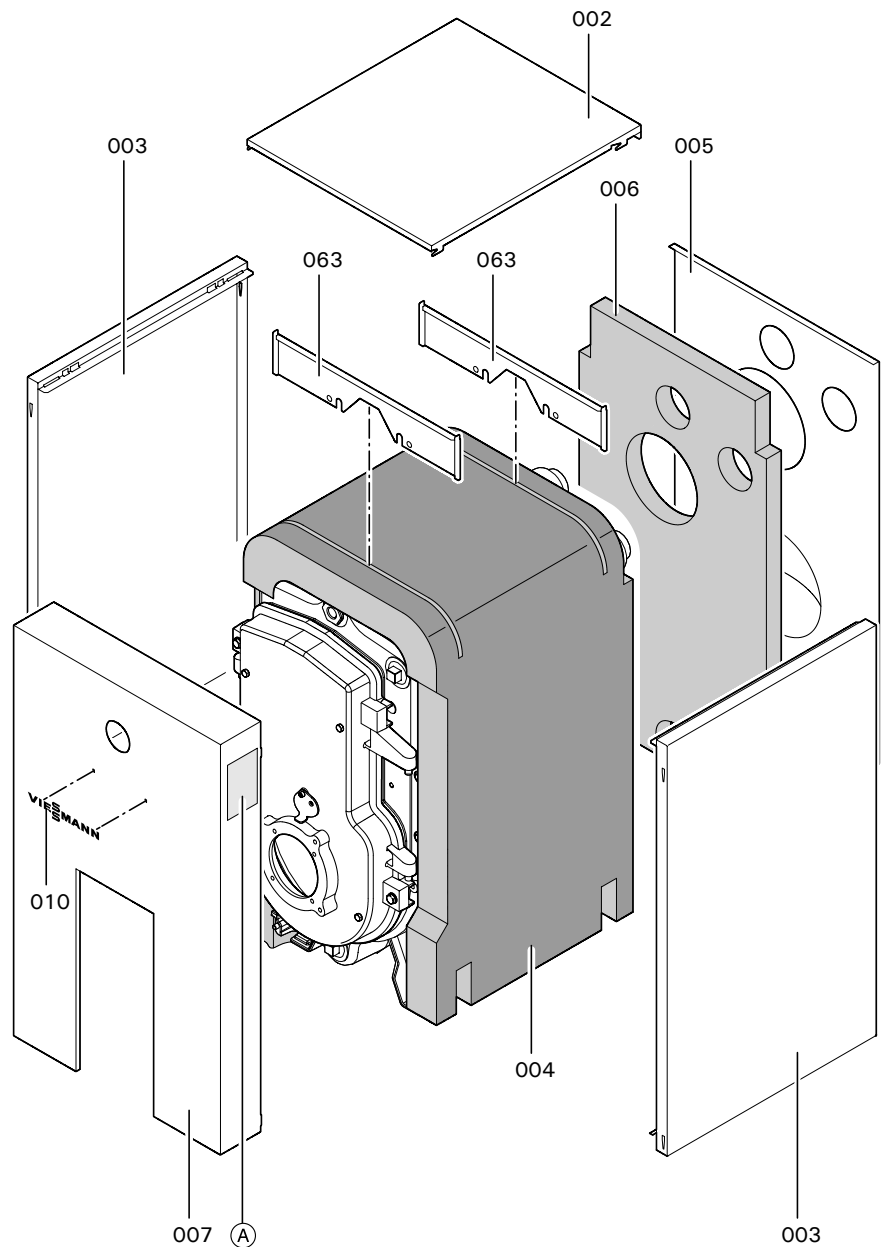
Parts

- 002 Top panel
- 003 Side panel (left/right)
- 004 Insulation blanket
- 005 Back panel
- 006 Insulation blanket-rear
- 007 Front panel
- 010 Nameplate Viessmann
- 063 Support bracket

Other Parts (not illustrated)

- 019 Touch-up spray paint Vitotec silver
- 020 Touch-up paint stick Vitotec silver
- 041 Cleaning brush
handle 800mm, M10
- 046 Split kit, VR1-40/50/63 (1 section)
- 100 Adhesive, 100ml
- 107 Installation/Service/Operating
Instructions
- 108 Parts List

Ⓐ Rating plate
(location of serial no.)



Please file in Service Binder

VITOROND 100

VR1 Series

Parts

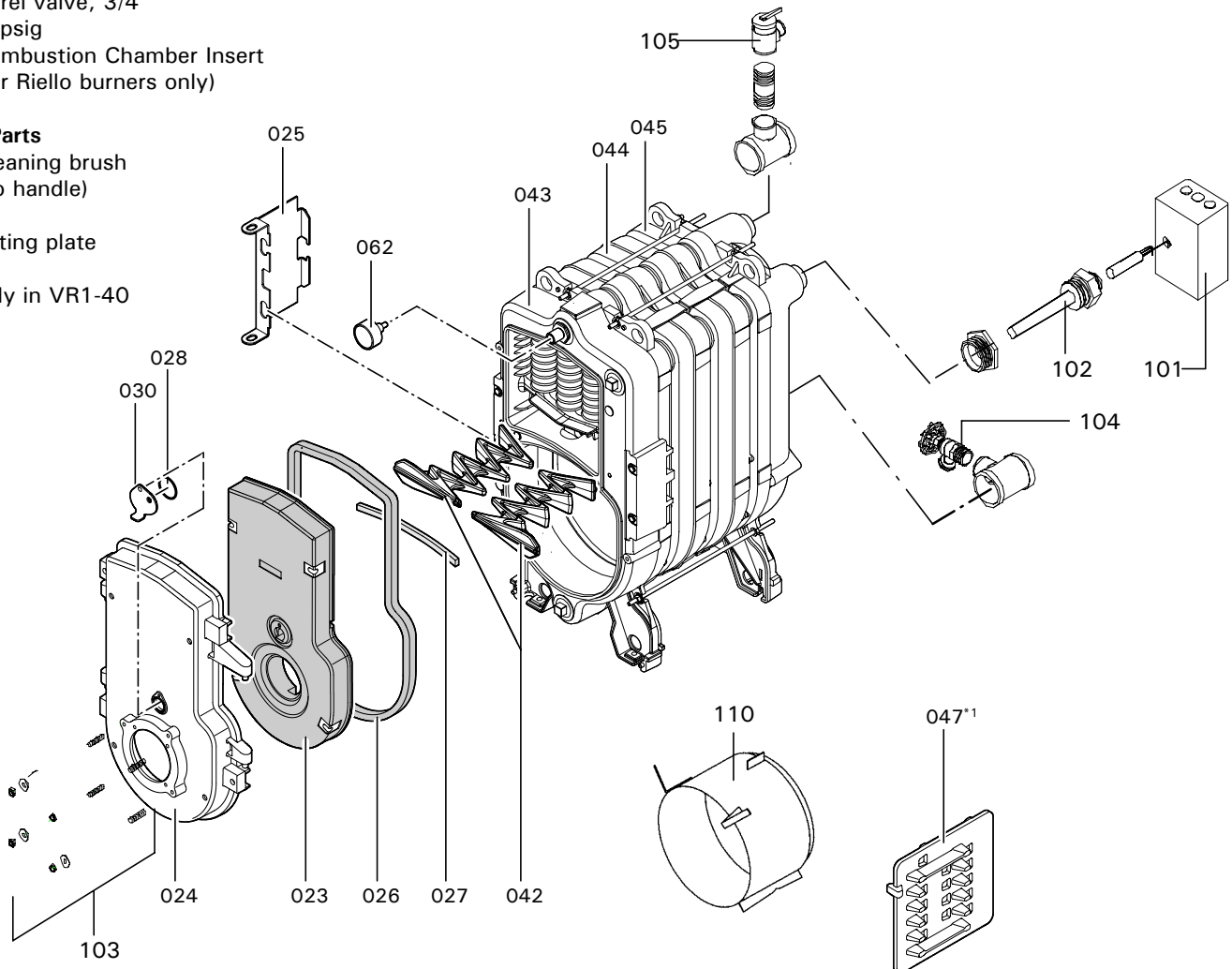
- 023 Combustion chamber door refractory
- 024 Combustion chamber door
- 025 Hinge bracket
- 026 Packing seal, 12x16x2000mm
- 027 Packing seal, 12x16x1000mm
- 028 Packing seal, 3x116mm
- 030 Observation port cover
- 042 Turbulator insert
- 043 Front section (ASME)
- 044 Mid section (ASME)
- 045 Rear section (ASME)
- 047 Turbulator insert (2nd pass)
- 062 Temperature and pressure gage
- 101 Aquastat, L8148a1124
- 102 Sensor well
- 103 Accessory pack, burner installation hardware
- 104 Sediment faucet, 3/4"
- 105 Pr.rel valve, 3/4" 30psig
- 110 Combustion Chamber Insert (for Riello burners only)

Wear Parts

- 037 Cleaning brush (no handle)

Ⓐ Rating plate

*1 only in VR1-40



VITOROND 100

Installation Fittings

Vitorond 100	Fittings for Aquastat 7134 849	Fittings for Aquastat 7134 850	Fittings for Vitotronic 7134 851	Fittings for Vitotronic 7134 852
---------------------	--	--	--	--

General Info	Price List Section:	04 (11/2007 - present)			
	Parts Catalog Section:	VR1-22/27/33 VR1-40/50/63 VR1-22/27/33 VR1-40/50/63			
	Series Name:	7249... 7334... 7249... 7334...			
	Applies to serials nos. beginning with:	07/01/2012			
	Accurate as of:				

Parts List

Please refer to: Parts List
Pos. Description

Part Numbers / Price Categories

Pos.	Description	7134 849 ³⁵	7134 850 ³⁶	7134 851 ³⁶	7134 852 ³⁷
400	Installation Fittings				
401	Aquastat (electr)	9577 488 ²⁴	9577 488 ²⁴		
402	Sensor Well	9560 935 ¹⁰	9560 935 ¹⁰		
403	Hex Bushing	9543 282 ⁴	9560 944 ⁶		
404	Temp. + Pr. Gage "WAKAll"	7823 242 ⁹	7823 242 ⁹	7823 242 ⁹	7823 242 ⁹
405	Red.Tee	9516 532 ⁷	9516 533 ^{n.a.}	9516 532 ⁷	9516 533 ^{n.a.}
406	Nipple	9516 540 ⁴	9516 541 ^{n.a.}	9516 540 ⁴	9516 541 ^{n.a.}
407	Red.Tee	9516 567 ⁶	9516 534 ^{n.a.}	9516 567 ⁶	9516 534 ^{n.a.}
408	90° Street Elbow, ¾"	9543 277 ⁴	9543 277 ⁴	9543 277 ⁴	9543 277 ⁴
409	Nipple, ¾" x 3½"	9543 293 ⁴	9543 293 ⁴	9543 293 ⁴	9543 293 ⁴
410	Pr.Rel Valve, ¾" (FF) 30PSI	9542 940 ⁸	9542 940 ⁸	9542 940 ⁸	9542 940 ⁸
411	Red. Tee	9549 661 ⁸	9560 933 ⁸	9549 661 ⁸	9560 933 ⁸
412	Sediment Faucet, ¾" NPT	9542 942 ⁵	9542 942 ⁵	9542 942 ⁵	9542 942 ⁵
413	Vent Pipe Adaptor	9542 935 ⁶	9560 978 ⁷	9542 935 ⁶	9560 978 ⁷
414	Return Injector Nozzle			5635 147 ¹⁶	7828 187 ¹⁵
415	Burner Cable	9516 897 ¹²	9516 897 ¹²	7262 277 ¹³	7262 277 ¹³
416	Control Cable w #41 Plug, VR1			7196 808 ⁸	7196 808 ⁸
417	Access. Pack (Brnr.Inst.Hdwr) VR1	7134 482 ⁸	7134 482 ⁸	7134 482 ⁸	7134 482 ⁸
418	Junction Box VR1/VR2/GS1/GS10/RS			7133 638 ¹⁸	7133 638 ¹⁸
419	Vitotronic Retrofit Housing			7282 852 ²²	7282 852 ²²
420	Coding Plug			7818 916 ⁷	7450 687 ⁷
421	Cable clamp	9560 934 ^{n.a.}	9560 934 ^{n.a.}		
422	Outdoor Reset Kit				
500	Install/Service/Oper.Instr.	5351 290 ^L	5351 291 ^L	5351 290 ^L	5351 291 ^L
501	Install. Instr. Direct Vent	5351 050 ^L		5351 050 ^L	
502	Warranty Sheet Cast-Iron, Residential	5348 719 ^L	5348 719 ^L	5348 719 ^L	5348 719 ^L
503	Parts List	5367 834 ^L	5367 835 ^L	5367 836 ^L	5367 837 ^L

Notes:

"n.a." indicates not applicable.

"W" indicates wearing part (service).

"L" indicates literature (no charge).

"Kit" or "Other" indicates that this is not a Price Category item; contact Inside Sales for pricing.

Parts List



Installation Fittings, 7134 849

VITOROND 100 VR1 Series

for use with Aquastat control only!

Model No.	Serial No.
VR1-22	7249048□□□□□□□□
VR1-27	7249049□□□□□□□□
VR1-33	7249050□□□□□□□□

Ordering Replacement Parts:

Please provide boiler Model and Serial Number from rating plate when ordering replacement parts. Order replacement components from your Viessmann distributor.

Parts

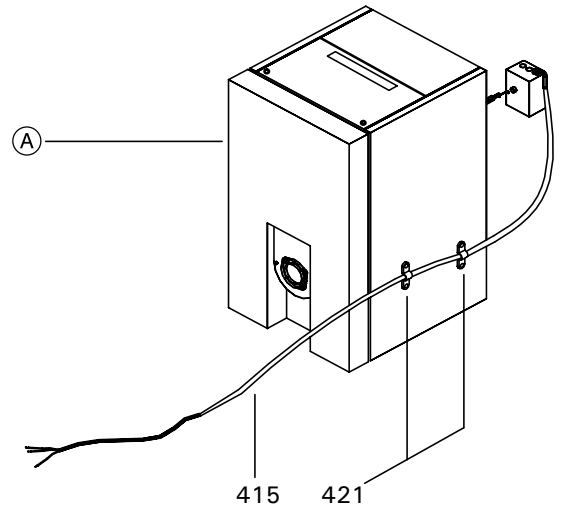
- 401 Electronic aquastat
- 402 Sensor well
- 403 Hex bushing, 1 1/4" x 3/4"
- 404 Temperature and pressure gage
- 405 Reduction tee, 1 1/2" x 1 1/2" x 1/2"
- 406 Nipple, 1 1/2" x 5"
- 407 Reduction tee, 1 1/2" x 3/4" x 1 1/2"
- 408 90° Street elbow, 3/4"
- 409 Nipple, 3/4" x 3 1/2"
- 410 Pressure relief valve, 30 psig
- 411 Reduction tee, 1 1/2" x 1 1/2" x 3/4"
- 412 Sediment faucet
- 413 Vent pipe adaptor, 5"
- 415 Burner cable 85" (4-wire)
- 421 Cable clamp

Other Parts (not illustrated)

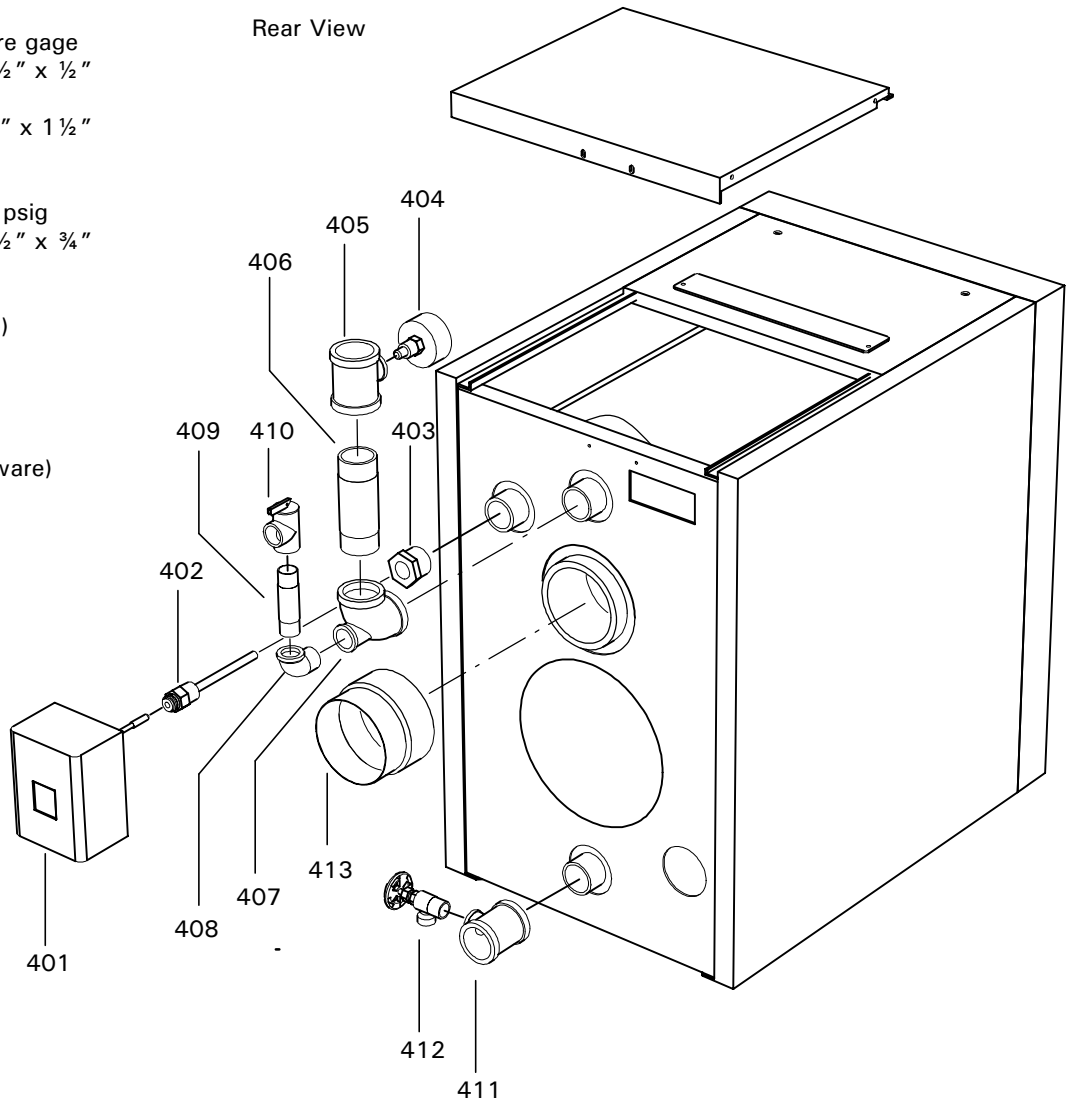
- 417 Accessory pack
(burner installation hardware)
- 500 Installation, Operation
and Service Instructions
- 501 Installation Instructions,
Direct Vent
- 502 Warranty Sheet
Cast-Iron, Residential
- 503 Parts List

Ⓐ Vitorond boiler
see separate
Parts List

Front View



Rear View



Please file in Service Binder

Parts List



Installation Fittings, 7134 850

VITOROND 100 VR1 Series

for use with Aquastat control only!

Model No.	Serial No.
VR1-40	7334379□□□□□□□□
VR1-50	7334385□□□□□□□□
VR1-63	7334394□□□□□□□□

Ordering Replacement Parts:

Please provide boiler Model and Serial Number from rating plate when ordering replacement parts. Order replacement components from your Viessmann distributor.

Parts

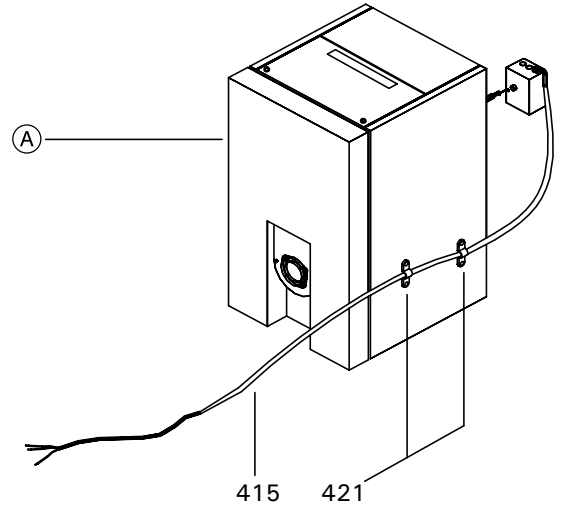
- 401 Electronic aquastat
- 402 Sensor well
- 403 Hex bushing, 1 1/2" x 3/4"
- 404 Temperature and pressure gage
- 405 Reduction tee, 2" x 2" x 1/2"
- 406 Nipple, 2" x 5"
- 407 Reduction tee, 2" x 3/4" x 2"
- 408 90° Street elbow, 3/4"
- 409 Nipple, 3/4" x 3 1/2"
- 410 Pressure relief valve, 30 psig
- 411 Reduction tee, 2" x 2" x 3/4"
- 412 Sediment faucet
- 413 Vent pipe adaptor, 6"
- 415 Burner cable 85" (4-wire)
- 421 Cable clamp

Other Parts (not illustrated)

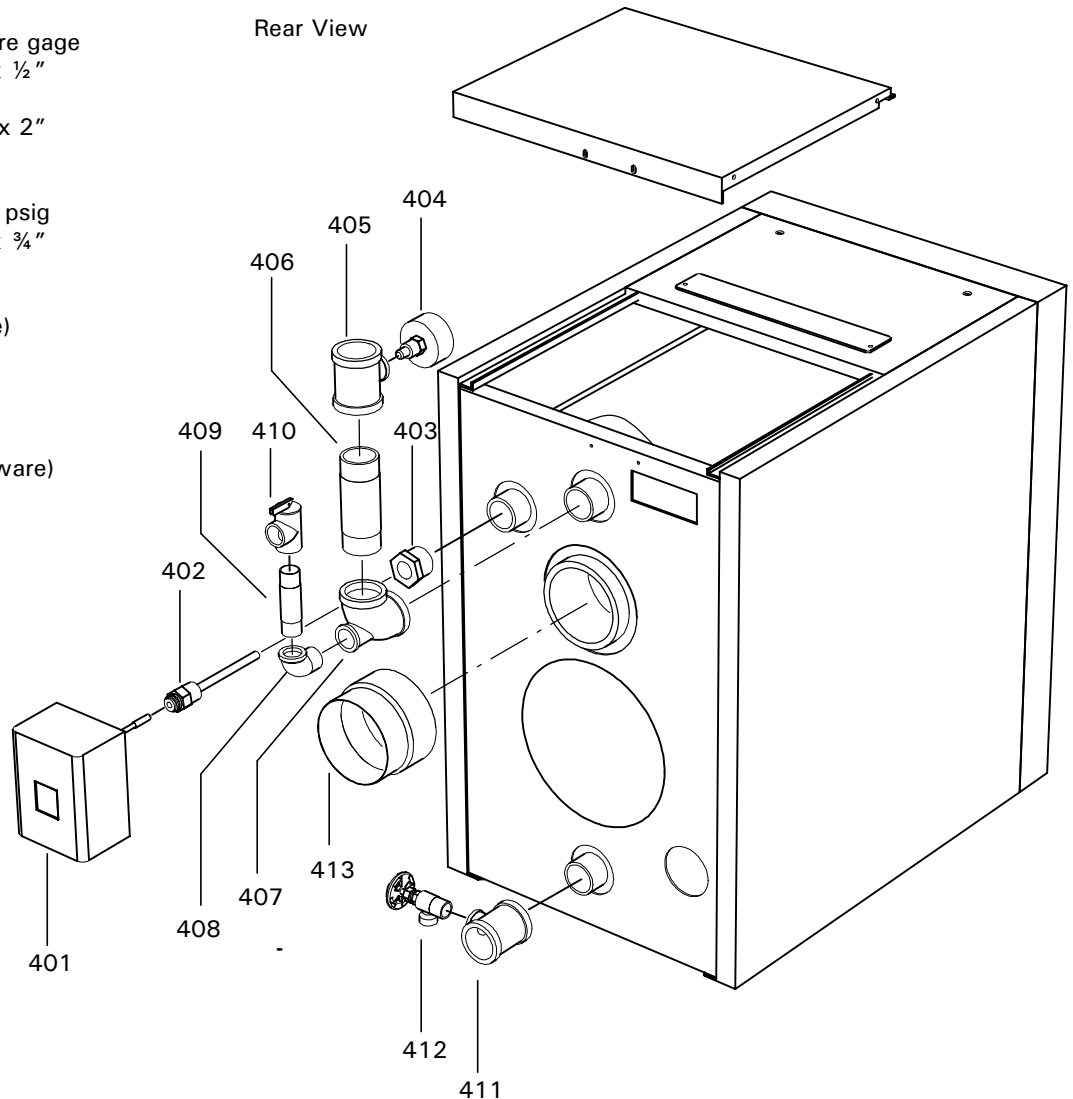
- 417 Accessory pack
(burner installation hardware)
- 500 Installation, Operation
and Service Instructions
- 502 Warranty Sheet
Cast-Iron, Residential
- 503 Parts List

Ⓐ Vitorond boiler
see separate
Parts List

Front View



Rear View



Please file in Service Binder

Parts List



Installation Fittings, 7134 851

VITOROND 100 VR1 Series

for use with Vitotronic control only!

Model No.	Serial No.
VR1-22	7249048□□□□□□□□
VR1-27	7249049□□□□□□□□
VR1-33	7249050□□□□□□□□

Ordering Replacement Parts:

Please provide boiler Model and Serial Number from rating plate when ordering replacement parts. Order replacement components from your Viessmann distributor.

Parts

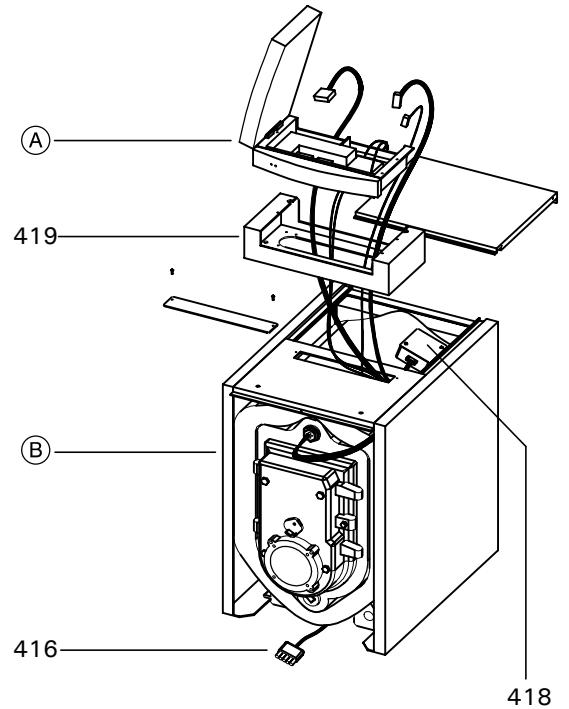
- 404 Temperature and pressure gage
- 405 Reduction tee, 1 1/2" x 1 1/2" x 1/2"
- 406 Nipple, 1 1/2" x 5"
- 407 Reduction tee, 1 1/2" x 3/4" x 1 1/2"
- 408 90° Street elbow, 3/4"
- 409 Nipple, 3/4" x 3 1/2"
- 410 Pressure relief valve, 30 psig
- 411 Reduction tee, 1 1/2" x 1 1/2" x 3/4"
- 412 Sediment faucet
- 413 Vent pipe adaptor, 5"
- 414 Return injector, 1 1/2"
- 416 Control cable
- 418 Junction box
- 419 Vitotronic retrofit housing

Other Parts (not illustrated)

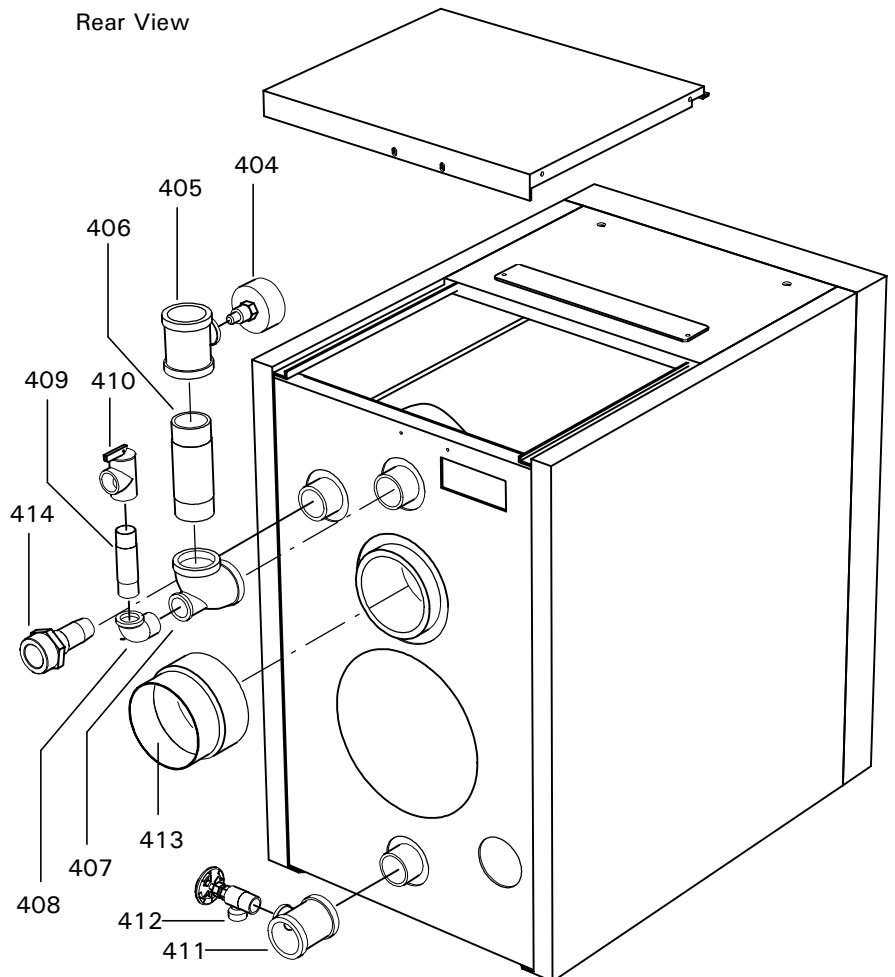
- 415 Burner cable
- 417 Accessory pack
(burner installation hardware)
- 420 Coding plug "F1"
- 500 Installation, Operation
and Service Instructions
- 501 Installation Instructions,
Direct Vent
- 502 Warranty Sheet
Cast-Iron, Residential
- 503 Parts List

- (A) Vitotronic control
see separate Parts List
- (B) Vitorond boiler
see separate Parts List

Front View



Rear View



Please file in Service Binder

Parts List



Installation Fittings, 7134 852

VITOROND 100 VR1 Series

for use with Vitotronic control only!

Model No.	Serial No.
VR1-40	7334379□□□□□□□□
VR1-50	7334385□□□□□□□□
VR1-63	7334394□□□□□□□□

Ordering Replacement Parts:

Please provide boiler Model and Serial Number from rating plate when ordering replacement parts. Order replacement components from your Viessmann distributor.

Parts

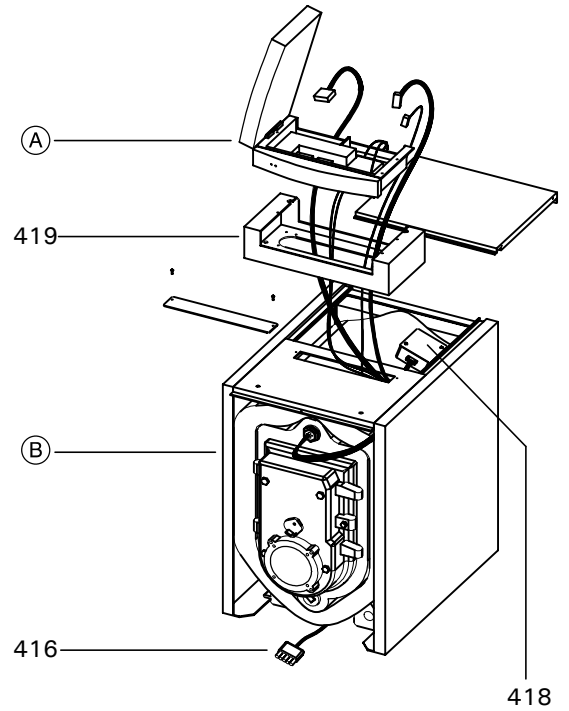
- 404 Temperature and pressure gage
- 405 Reduction tee, 2" x 2" x 1/2"
- 406 Nipple, 2" x 5"
- 407 Reduction tee, 2" x 3/4" x 2"
- 408 90° Street elbow, 3/4"
- 409 Nipple, 3/4" x 3 1/2"
- 410 Pressure relief valve, 30 psig
- 411 Reduction tee, 2" x 2" x 3/4"
- 412 Sediment faucet
- 413 Vent pipe adaptor, 6"
- 414 Return injector, 2"
- 416 Control cable
- 418 Junction box
- 419 Vitotronic retrofit housing

Other Parts (not illustrated)

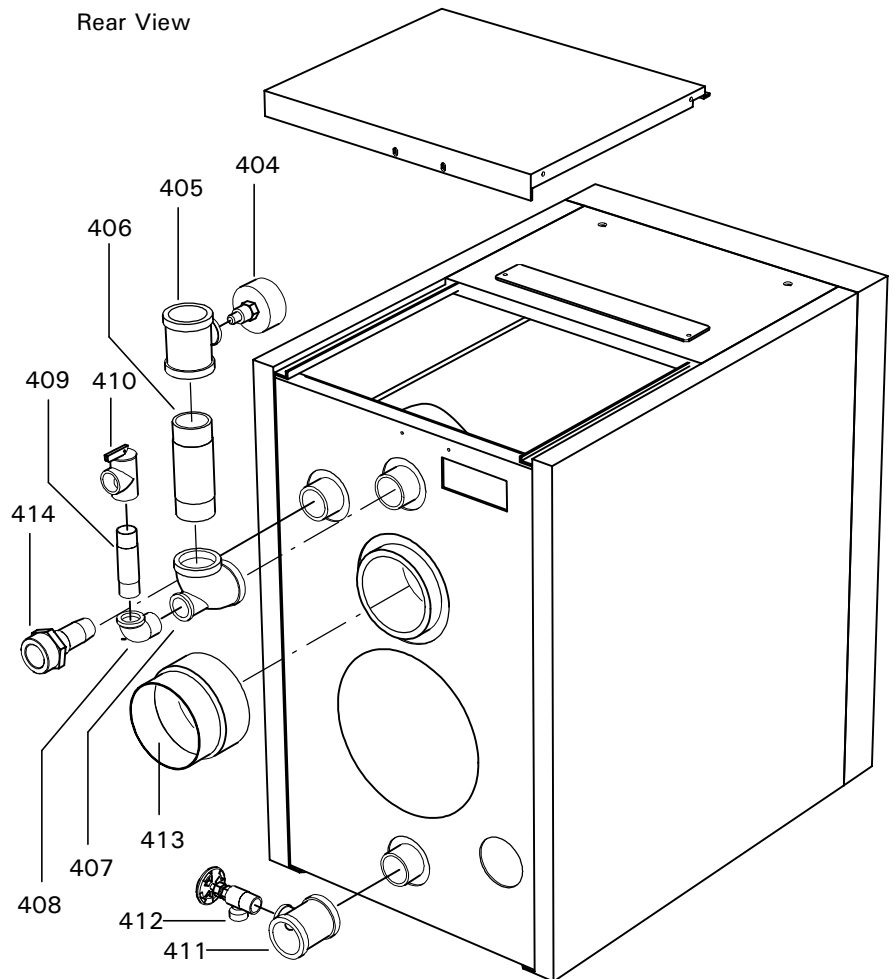
- 415 Burner cable
- 417 Accessory pack
(burner installation hardware)
- 420 Coding plug "C6"
- 500 Installation, Operation
and Service Instructions
- 502 Warranty Sheet
Cast-Iron, Residential
- 503 Parts List

- (A) Vitotronic control
see separate Parts List
- (B) Vitorond boiler
see separate Parts List

Front View



Rear View



VITOROND 200

Vitorond 200	VR2-18	VR2-22	VR2-27	VR2-33	VR2-40	VR2-50	VR2-63	
--------------	--------	--------	--------	--------	--------	--------	--------	--

General Info	Price List Section:	1.4
	Parts Catalog Section:	04
	Series Name:	VR2
	Accurate as of:	07/01/2012

Shipping Overview								
11/2000 - 1/2004	VR20401	VR20402	VR20403	VR20404	VR20405	VR20406	VR20407	
Blr c/w Jkt	7143 973	7143 974	7143 975	7143 976				
Jkt, InstFit					7134 415	7175 416	7175 417	
PrVssl					7175408	7175409	7175 410	
<i>PrVssl</i> *1					7242 288	7242 289	7242 290	
Inst Fittings	7133 561	7133 561	7133 561	7133 561				
	*1 shipped from 11/2000 - 6/2001 and replaced by part no. above							

6/2004 - present	VR20401	VR20402	VR20403	VR20404	VR20405	VR20406	VR20407	
Blr c/w Jkt	7143 973	7143 974	7143 975	7143 976				
Jkt, InstFit					7134 415	7175 416	7175 417	
PrVssl					7175 408	7175 409	7175 410	
Inst Fittings	7133 561	7133 561	7133 561	7133 561				

VITOROND 200

Vitorond 200	VR2-18	VR2-22	VR2-27	VR2-33
General Info	Price List Section: 1.4			
	Parts Catalog Section: 04			
	Series Name: VR2 (11/2000 - 6/2009)			
	Applies to serials nos. beginning with:	7133053...	7133054...	7133055... 7133056...
	Accurate as of:	07/01/2012		

Parts List

Please refer to: Parts List
Pos. Description

Part Numbers / Price Categories

001	Insulation Assly	7334 310 ⁴³	7334 311 ⁴³	7334 312 ⁴⁹	7334 312 ⁴⁹
002	Top Panel	7334 307 ¹¹	7334 315 ¹²	7334 334 ¹³	7334 334 ¹³
003	Side Panel	7158 126 ¹⁷	7823 462 ¹⁸	7823 463 ¹⁸	7823 463 ¹⁸
004	Insulation Blkt	5336 026 ¹²	5336 025 ¹³	5336 040 ¹⁴	5336 040 ¹⁴
005	Rear Panel	7334 500 ¹⁴	7334 500 ¹⁴	7334 500 ¹⁴	7334 500 ¹⁴
006	Insulation Blkt, Rear	5336 024 ⁹	5336 024 ⁹	5336 024 ⁹	5336 024 ⁹
007	Front Panel Top	7823 142 ¹⁹	7823 142 ¹⁹	7823 142 ¹⁹	7823 142 ¹⁹
008	Base Panel	7334 306 ¹⁸	7334 313 ¹⁹	7334 314 ²⁰	7334 314 ²⁰
009	Front Panel Bottom	7823 143 ²⁰	7823 143 ²⁰	7823 143 ²⁰	7823 143 ²⁰
010	Support Bracket Assly	7334 309 ²³	7334 335 ²⁴	7334 336 ²⁴	7334 336 ²⁴
011	Nameplate Vitorond 200	7819 437 ⁵	7819 437 ⁵	7819 437 ⁵	7819 437 ⁵
012	Strain Relief (8-Channel)	7818 280 ⁵	7818 280 ⁵	7818 280 ⁵	7818 280 ⁵
013	Strain Relief (2-Channel)	7818 493 ⁴	7818 493 ⁴	7818 493 ⁴	7818 493 ⁴
014	Cover, Edgemolding	7819 438 ⁴	7819 438 ⁴	7819 438 ⁴	7819 438 ⁴
015	5-Point Sensor Well	7812 102 ¹²	7812 102 ¹²	7812 102 ¹²	7812 102 ¹²
016 W	Comb.Chbr.Dr.Refr.	Z000459 ^{Kit}	Z000459 ^{Kit}	Z000459 ^{Kit}	Z000459 ^{Kit}
018	Comb. Chamber Door	7819 421 ²⁵	7819 421 ²⁵	7819 421 ²⁵	7819 421 ²⁵
019	Hinge Bracket	7819 422 ¹⁰	7819 422 ¹⁰	7819 422 ¹⁰	7819 422 ¹⁰
020	Packing Seal, 12x16x1374mm	7820 301 ¹⁰	7820 301 ¹⁰	7820 301 ¹⁰	7820 301 ¹⁰
021	Packing Seal, 12x16x256mm	7820 851 ⁸	7820 851 ⁸	7820 851 ⁸	7820 851 ⁸
022	Packing Seal, 3x116mm	7314 413 ⁴	7314 413 ⁴	7314 413 ⁴	7314 413 ⁴
023	Flue Gas Collector	7818 595 ¹⁵	7818 595 ¹⁵	7818 595 ¹⁵	7818 595 ¹⁵
024	Port Cover	7819 163 ⁴	7819 163 ⁴	7819 163 ⁴	7819 163 ⁴
025	Return Injector Nozzle	7819 418 ⁵	7819 418 ⁵	7819 418 ⁵	7819 418 ⁵
026	Turbulator Insert	7819 417 ¹⁴	n.a. ^{n.a.}	n.a. ^{n.a.}	7819 416 ¹⁴
027	Base Panel Cover	7334 343 ¹²	7334 343 ¹²	7334 343 ¹²	7334 343 ¹²
027	Comb. Chamber Insert	7147 506 ¹⁷	7820 297 ²¹	7820 297 ²¹	7820 297 ²¹
028	Cap, G 1-1/2	7819 538 ⁵	7819 538 ⁵	7819 538 ⁵	7819 538 ⁵
029	Washer 45x3	7819 539 ^D	7819 539 ^D	7819 539 ^D	7819 539 ^D
					continued

VITOROND 200

Vitorond 200	VR2-18	VR2-22	VR2-27	VR2-33
General Info	Price List Section: 1.4			
	Parts Catalog Section 04			
	Series Name: VR2 (11/2000 - 6/2009)			
	Applies to serials nos. beginning with: 7133053...	7133054...	7133055...	7133056...
	Accurate as of: 07/01/2012			

Parts List

Please refer to: Parts List

Pos. Description Part Numbers / Price Categories

030	Install. Instr. VR2 18-33	5167 423 ^L	5167 423 ^L	5167 423 ^L	5167 423 ^L
031	Start-Up/Instal. Instr. VR2-18-33	5167 424 ^L	5167 424 ^L	5167 424 ^L	5167 424 ^L
033	Touch-UP Paint Stk Vitotec SIL	7819 546 ⁵	7819 546 ⁵	7819 546 ⁵	7819 546 ⁵
034	Touch-UP Spray Paint Vitotec SIL	7819 545 ⁹	7819 545 ⁹	7819 545 ⁹	7819 545 ⁹
035	Decorative Stripe	7819 535 ⁵	7819 535 ⁵	7819 535 ⁵	7819 535 ⁵
036	Packing Seal, 10x10x620mm	7818 594 ⁶	7818 594 ⁶	7818 594 ⁶	7818 594 ⁶
037	Cleaning Brush Handle 800mm, M10	7815 076 ⁷	7815 076 ⁷	7815 076 ⁷	7815 076 ⁷
038	Cleaning Brush (No Handle)	7818 562 ⁷	7818 562 ⁷	7818 562 ⁷	7818 562 ⁷
039	Access. Pack (Fr.Panel Hardw.)	7819 773 ⁸	7819 773 ⁸	7819 773 ⁸	7819 773 ⁸
040	Panel Cap	7819 534 ³	7819 534 ³	7819 534 ³	7819 534 ³
041	Lock Mechanism	7819 591 ⁶	7819 591 ⁶	7819 591 ⁶	7819 591 ⁶
050 ^{*1}	Boiler Shell	7242 215 ^D	7242 216 ^D	7242 228 ^D	7242 229 ^D
051	Access. Pack (Bnr.Inst.Hdwr) Riello/VR2	7133 491 ^D	7133 491 ^D	7133 491 ^D	7133 491 ^D

Notes:

*1 IMPORTANT: Individual sections are **not** sold for Vitorond 200, only the entire boiler block.

"n.a." indicates not applicable.

"W" indicates wearing part (service).

"L" indicates literature (no charge).

"Kit" or "Other" indicates that this is not a Price Category item; contact Inside Sales for pricing.

Parts List

Vitorond 200
VR2-18/22/27/33

Ordering Replacement Parts:

Please provide boiler Model and Serial Number from rating plate when ordering

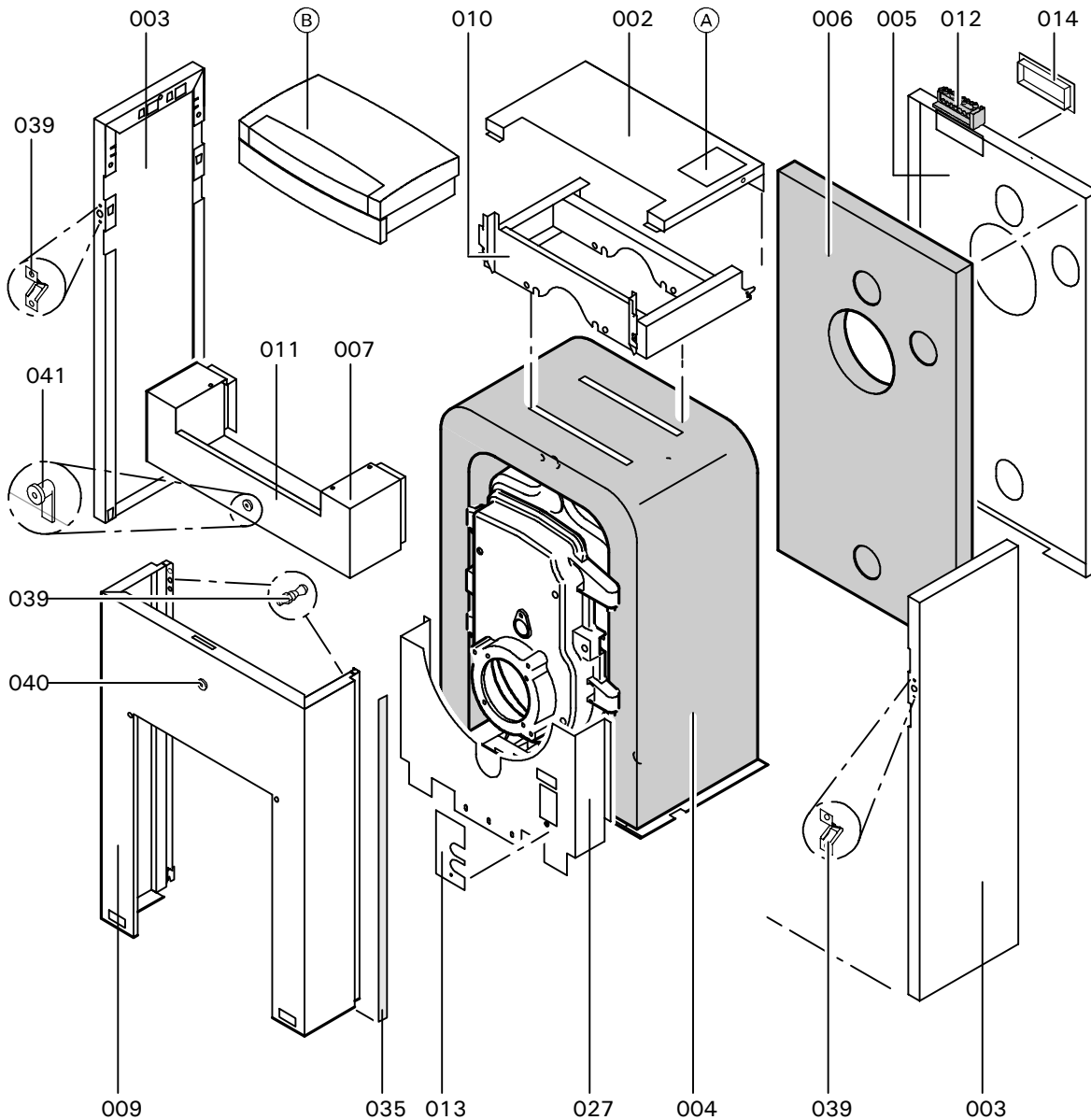
replacement parts. Order replacement components from your Viessmann distributor.

Parts

- 001 Insulation assembly
- 002 Top panel
- 003 Side panel
- 004 Pressure vessel insulation blanket
- 005 Rear panel
- 006 Rear insulation blanket
- 007 Front panel, top
- 009 Front panel, bottom
- 010 Support bracket assembly

- 011 Vitorond 200 nameplate
- 012 8-Channel strain relief
- 013 2-Channel strain relief
- 014 Cover, edgemolding
- 027 Base panel cover
- 035 Decorative stripe
- 039 Mounting element
- 040 Panel cap
- 041 Lock mechanism

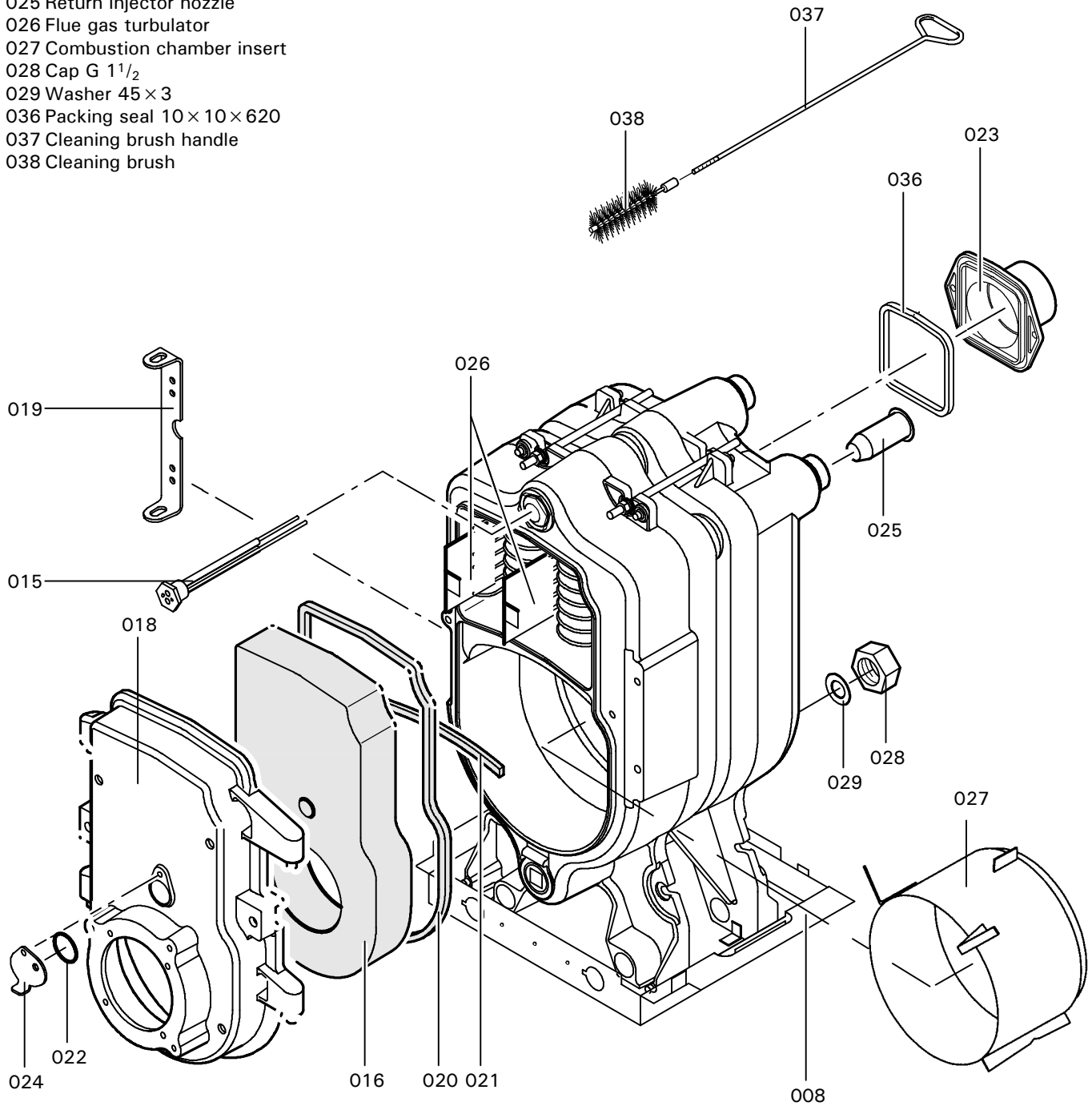
- Not illustrated
- 030 Installation Instructions
- 031 Start-up/Service Instructions
- 033 Spray paint, vitosilver
- 034 Touch-up pen, vitosilver
- (A) Rating plate
- (B) Boiler control, see separate Parts List



Please file in Service Binder

Parts List

- 008 Base panel
- 015 5-Point sensor well
- 016 Combustion chamber door refractory
- 018 Combustion chamber door
- 019 Hinge bracket
- 020 Packing seal 12x16x1374
- 021 Packing seal 12x16x256
- 022 Rope seal Ø3mm
- 023 Flue gas collector
- 024 Observation port cover
- 025 Return injector nozzle
- 026 Flue gas turbulator
- 027 Combustion chamber insert
- 028 Cap G 1 1/2
- 029 Washer 45 x 3
- 036 Packing seal 10 x 10 x 620
- 037 Cleaning brush handle
- 038 Cleaning brush



VITOROND 200

Vitorond 200	VR2-40	VR2-50	VR2-63	
General Info	Price List Section: 1.4			
	Parts Catalog Section: 04			
	Series Name: VR2 (11/2000 - 6/2009)			
	Applies to serials nos. beginning with: 7133060... 7133061... 7133062...			
	Accurate as of: 07/01/2012			

Parts List

Please refer to: Parts List

Pos. Description Part Numbers / Price Categories

001	Insul. Jacket	7517 522 ^D	7517 523 ^D	7517 524 ^D	
002	Top Panel	7334 417 ²⁴	7334 418 ²⁴	7829 442 ²⁴	
003	Side Panel	7334 463 ¹⁸	7334 464 ¹⁸	7334 465 ¹⁹	
004	Insulation Blkt	5336 642 ¹³	5336 643 ¹⁴	5336 644 ¹⁵	
005	Rear Panel	7334 501 ²⁰	7334 501 ²⁰	7334 501 ²⁰	
006	Insulation Blkt, Rear	7822 455 ¹⁰	7822 455 ¹⁰	7822 455 ¹⁰	
007	Front Panel Top	7334 420 ²⁰	7334 420 ²⁰	7334 420 ²⁰	
008	Front Panel Bottom	7334 422 ²³	7334 422 ²³	7334 422 ²³	
009	Support Bracket Assly	7334 413 ²²	7334 414 ²²	7334 415 ²³	
010	Nameplate Vitorond 200	7819 437 ⁵	7819 437 ⁵	7819 437 ⁵	
011	Strain Relief (8-Channel)	7818 280 ⁵	7818 280 ⁵	7818 280 ⁵	
012	Strain Relief (2-Channel)	7818 493 ⁴	7818 493 ⁴	7818 493 ⁴	
013	Cover, Edgemolding	7819 438 ⁴	7819 438 ⁴	7819 438 ⁴	
014	Base Panel Cover	7334 409 ¹⁴	7334 409 ¹⁴	7334 409 ¹⁴	
015	Decorative Stripe	7819 535 ⁵	7819 535 ⁵	7819 535 ⁵	
016	Mounting Element	7175 617 ⁵	7175 617 ⁵	7175 617 ⁵	
017	Panel Cap	7819 534 ³	7819 534 ³	7819 534 ³	
018	Lock Mechanism	7819 591 ⁶	7819 591 ⁶	7819 591 ⁶	
021	Base Panel	7334 410 ²¹	7334 411 ²²	7334 412 ²³	
022	5-Point Sensor Well	7812 102 ¹²	7812 102 ¹²	7812 102 ¹²	
023 W	Comb.Chbr.Dr.Refr.	Z000645 ^{Kit}	Z000645 ^{Kit}	Z000645 ^{Kit}	
024	Comb. Chamber Door	7818 452 ²⁹	7818 452 ²⁹	7818 452 ²⁹	
025	Hinge Bracket	7819 422 ¹⁰	7819 422 ¹⁰	7819 422 ¹⁰	
026	Packing Seal, 12x16x1845mm	7820 301 ¹⁰	7820 301 ¹⁰	7820 301 ¹⁰	
027	Packing Seal, 12x16x300mm	7820 851 ⁸	7820 851 ⁸	7820 851 ⁸	
028	Packing Seal, 3x116mm	7314 413 ⁴	7314 413 ⁴	7314 413 ⁴	
029	Flue Gas Collector	7818 450 ¹⁴	7818 450 ¹⁴	7818 450 ¹⁴	
030	Observ. Port Cover	7819 163 ⁴	7819 163 ⁴	7819 163 ⁴	
030	Install. Instr. VR2-40/50/63	5265 450 ^L	5265 450 ^L	5265 450 ^L	
031	Return Injector Nozzle	7818 451 ⁶	7818 451 ⁶	7818 451 ⁶	
031	Start-Up/Instal. Instr. VR2-40/50/63	5265 451 ^L	5265 451 ^L	5265 451 ^L	
032	Turbulator Insert (top, 2nd pass)	7818 197 ¹¹	7818 446 ⁸	n.a. ^{n.a.}	
033	Cap, G 1-1/2	7818 360 ^D	7818 360 ^D	7818 360 ^D	
033	Touch-UP Spray Paint Vitotec SIL	7819 545 ⁹	7819 545 ⁹	7819 545 ⁹	
034	Washer 45x3	7818 359 ^D	7818 359 ^D	7818 359 ^D	
034	Touch-UP Paint Stk Vitotec SIL	7819 546 ⁵	7819 546 ⁵	7819 546 ⁵	
035	Packing Seal, 10x10x535mm	7818 453 ⁵	7818 453 ⁵	7818 453 ⁵	
036	Cleaning Brush w Handle	7818 358 ⁶	7818 358 ⁶	7818 358 ⁶	
037	Cleaning Brush (No Handle)	7818 220 ⁶	7818 220 ⁶	7818 220 ⁶	
041	Cleaning Brush Handle 800mm, M10	7818 326 ⁷	7818 326 ⁷	7818 326 ⁷	continued

VITOROND 200

Vitorond 200	VR2-40	VR2-50	VR2-63	
--------------	--------	--------	--------	--

General Info	Price List Section:	1.4		
	Parts Catalog Section	04		
	Series Name:	VR2 (11/2000 - 6/2009)		
	Applies to serials nos. beginning with:	7133060...	7133061...	7133062...
	Accurate as of:	07/01/2012		

Parts List

Please refer to: Parts List

Pos. Description Part Numbers / Price Categories

042	Turbulator Insert (btm, 2nd pass)	7818 150 ¹¹	7818 150 ¹¹	n.a. ^{n.a.}	
045	Comb. Chamber Insert	7147 508 ¹⁸	7147 508 ¹⁸	7147 508 ¹⁸	
050 ^{*1}	Boiler Shell	7242 288 ^D	7242 289 ^D	7242 290 ^D	
051	Access. Pack (Brnr.Inst.Hdwr) Riello/VR2	7133 491 ^D	7133 491 ^D	7133 491 ^D	

Notes:

*1 IMPORTANT: Individual sections are **not** sold for Vitorond 200, only the entire boiler block.

"n.a." indicates not applicable.

"W" indicates wearing part (service).

"L" indicates literature (no charge).

"Kit" or "Other" indicates that this is not a Price Category item; contact Inside Sales for pricing.

Parts List

Vitorond 200
VR2-40/50/63

Ordering Replacement Parts:

Please provide boiler Model and Serial Number from rating plate when ordering

replacement parts. Order replacement components from your Viessmann distributor.

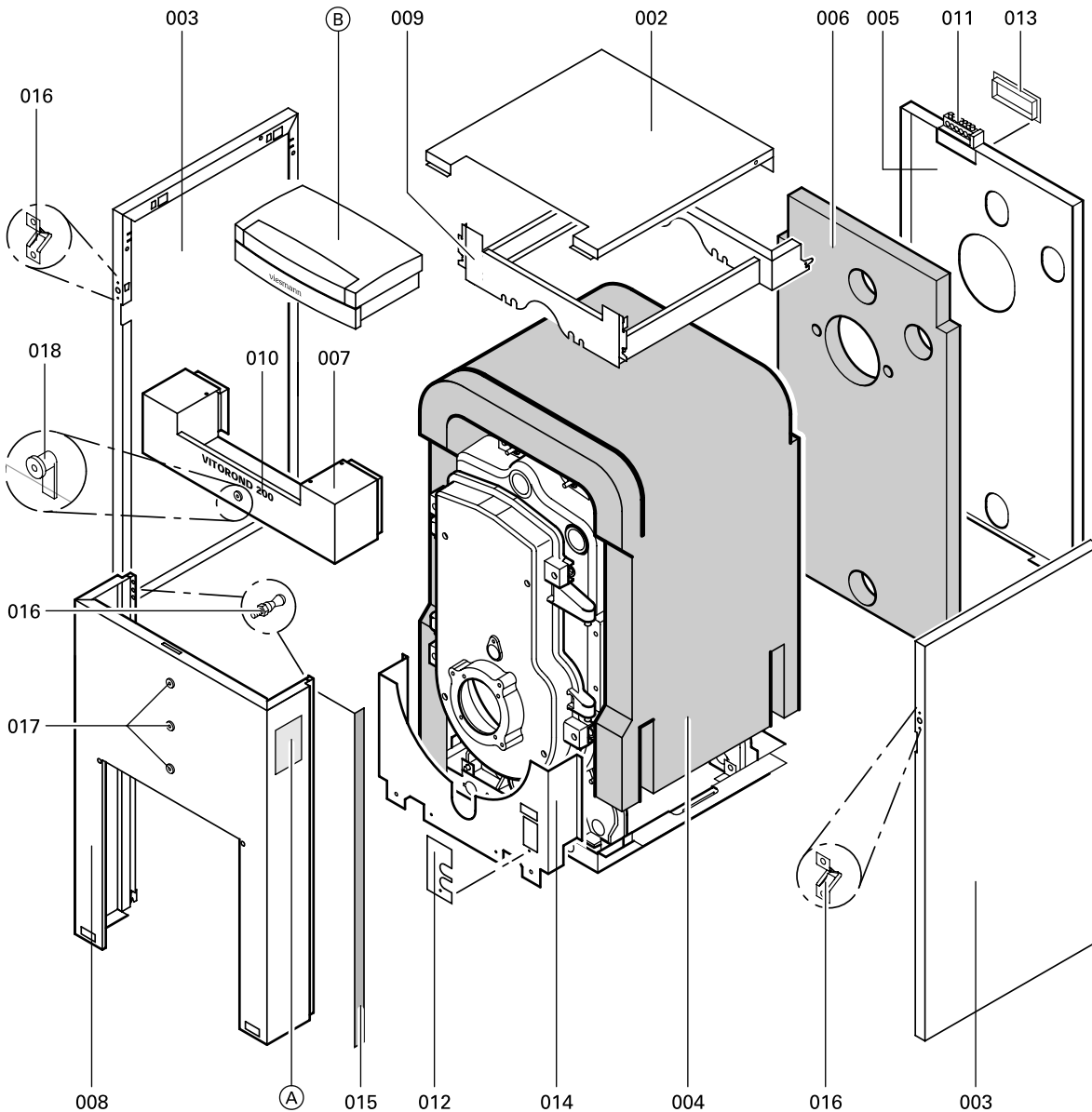
Parts

- 001 Insulation assembly
- 002 Top panel
- 003 Side panel
- 004 Insulation blanket for pressure vessel
- 005 Rear panel
- 006 Rear insulation blanket
- 007 Front panel, top
- 009 Support bracket assembly

- 010 Vitorond 200 nameplate
- 011 8-Channel strain relief
- 012 2-Channel strain relief
- 013 Cover, edgemolding
- 014 Base panel cover
- 015 Decorative stripe
- 016 Mounting element
- 017 Panel cap
- 018 Lock mechanism

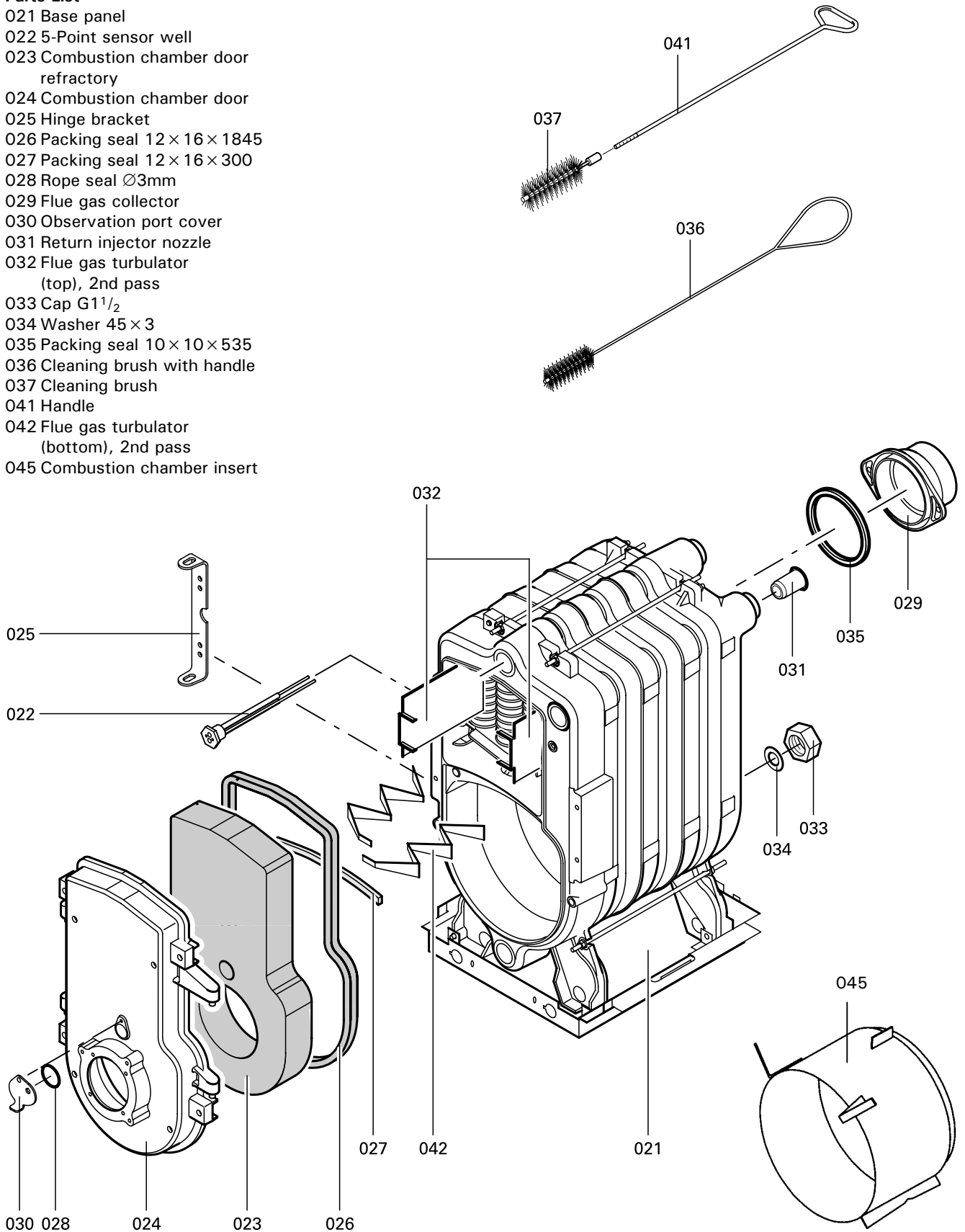
- Not illustrated
- 030 Installation Instructions
- 031 Start-up/Service Instructions
- 033 Spray paint, vitosilver
- 034 Touch-up pen, vitosilver
- (A) Rating plate
- (B) Boiler control, see separate Parts List

Please file in Service Binder



Parts List

- 021 Base panel
- 022 5-Point sensor well
- 023 Combustion chamber door refractory
- 024 Combustion chamber door
- 025 Hinge bracket
- 026 Packing seal 12 × 16 × 1845
- 027 Packing seal 12 × 16 × 300
- 028 Rope seal Ø3mm
- 029 Flue gas collector
- 030 Observation port cover
- 031 Return injector nozzle
- 032 Flue gas turbulator (top), 2nd pass
- 033 Cap G1¹/₂
- 034 Washer 45 × 3
- 035 Packing seal 10 × 10 × 535
- 036 Cleaning brush with handle
- 037 Cleaning brush
- 041 Handle
- 042 Flue gas turbulator (bottom), 2nd pass
- 045 Combustion chamber insert



Riello Burner

Riello Burner	VR2-18	VR2-22	VR2-27	VR2-33	VR2-40	VR2-50	VR2-63	
General Info	Price List Section: 1.5 Parts Catalog Section: 05 Series Name: F3, F5, F10 f VR2 (11/2000 -) Accurate as of: 07/01/2012							
Shipping Overview	Oil Riello (US Market) Price List Z001019 Z001020 Z001021 Z001022 Z001023 Z001024 Z001025 Oil Burner 7133 330 7133 331 7133 332 7133 333 7133 334 7133 335 7133 336 Burner Hd 7819 461 7819 461 7819 461 7819 461 7819 461 7819 461 7819 461 Please see Section 03 for Riello Parts List information.							
5/2005 - present	Oil Riello (CDN Market) Price List Z003581 Z003582 Z003583 Z003584 Z003585 Z003586 Z003587 Oil Burner 7133 330 7133 331 7133 332 7133 333 7133 334 7133 335 7133 336 Burner Hd 7819 461 7819 461 7819 461 7819 461 7819 461 7819 461 7819 461 BV Switch 7134 540 7134 540 7134 540 7134 540 7134 540 7134 540 7134 540 Please see Section 03 for Riello Parts List information.							

VITOGAS 050

Vitogas 050	ECDS-065	ECDS-080	ECDS-100	ECDS-115	ECDS-140	ECDS-155	ECDS-180	ECDS-200
-------------	----------	----------	----------	----------	----------	----------	----------	----------

General Info	Price List Section:	
	Parts Catalog Section	06
	Series Name:	ECDS
	Accurate as of:	07/01/2012

Shipping Overview	Price List	GS00170	GS00171	GS00172	GS00173	GS00174	GS00175	GS00176	GS00177
	Blr	7134 490	7134 491	7134 492	7134 493	7134 494	7134 495	7134 496	7134 497
	V.Damper	9560 948	9560 948	9560 949	9560 949	9560 950	9560 950	9560 950	9560 950

Important:
 Due to differences in wiring, please do **not** use ECD vent dampers, for ECDS boilers.

VITOGAS 050

Vitogas 050	ECD-065	ECD-080	ECD-100	ECD-115
General Info	Price List Section: 2.1			
	Parts Catalog Section 06			
	Applies to serials nos. beginning with: ECD 7133100...+ 7133101...+ 7133102...+ 7133103...+			
	Applies to serials nos. beginning with: ECDS 7134490... 7134491... 7134492... 7134493...			
	Accurate as of: 07/01/2012			

Parts List

Please refer to: Parts List
Pos. Description

Part Numbers / Price Categories

Vitogas 050 ECDS: 7/2006 - present

093	Installation Fittings, ECDS	7134 506 ¹⁶	7134 506 ¹⁶	7134 506 ¹⁶	7134 506 ¹⁶
094	Wiring Harness ECDS	9560 947 ⁷	9560 947 ⁷	9560 947 ⁷	9560 947 ⁷
095	Ctrl Panel	5285 756 ¹¹	5285 756 ¹¹	5285 757 ¹²	5285 757 ¹²

The following items, listed below, do NOT apply to ECDS: 034, 036, 093.

All other parts listed under Vitogas 050 ECD Spark apply to ECDS.

Atola-ECD, Vitogas 050 ECD Spark: 1994 - present

001	Left Side Panel, SIL	9544 200 ²¹	9544 200 ²¹	9544 200 ²¹	9544 200 ²¹
002	Right Side Panel, SIL	9544 202 ²⁰	9544 202 ²⁰	9544 202 ²⁰	9544 202 ²⁰
003	Rear Panel, SIL	9544 204 ¹²	9544 204 ¹²	9544 205 ¹³	9544 205 ¹³
004	Top Panel, SIL	9544 208 ¹²	9544 208 ¹²	9544 209 ¹³	9544 209 ¹³
005	Access Door, SIL	9544 212 ¹¹	9544 212 ¹¹	9544 213 ¹²	9544 213 ¹²
006	Upper Front Panel, SIL	9544 216 ¹¹	9544 216 ¹¹	9544 217 ¹²	9544 217 ¹²
007	Mid Panel SIL	9544 220 ¹¹	9544 220 ¹¹	9544 221 ¹²	9544 221 ¹²
008	Ctrl Panel, SIL	7133 545 ¹⁰	7133 545 ¹⁰	7133 546 ¹⁰	7133 546 ¹⁰
009	Draft Hood SIL	7426 304 ²⁶	7426 304 ²⁶	7426 305 ²⁹	7426 305 ²⁹
010	Draft Hood Strap	9543 735 ^{n.a.}	9543 735 ^{n.a.}	9543 735 ^{n.a.}	9543 735 ^{n.a.}
011	Terminal Strip Cover, SIL	9544 232 ⁶	9544 232 ⁶	9544 232 ⁶	9544 232 ⁶
012	Side Panel Cover Plate, SIL	9544 233 ⁷	9544 233 ⁷	9544 233 ⁷	9544 233 ⁷
013	Sensor Well, 4-Point	7255 283 ⁹	7255 283 ⁹	7255 283 ⁹	7255 283 ⁹
014	Nipple, 3/4 x 4-3/4" f ECD/V SnsWell	7250 121 ⁵	7250 121 ⁵	7250 121 ⁵	7250 121 ⁵
015	Boiler Shell	9543 931 ⁴⁸	9543 931 ⁴⁸	9543 932 ⁵⁵	9543 932 ⁵⁵
016 ^{*2}	Boiler Section, Right	9507 593 ²⁵	9507 593 ²⁵	9507 593 ²⁵	9507 593 ²⁵
017 ^{*2}	Boiler Section, Left	9507 592 ²⁹	9507 592 ²⁹	9507 592 ²⁹	9507 592 ²⁹
018 ^{*2}	Boiler Section, Intermediate	n.a. ^{n.a.}	n.a. ^{n.a.}	9543 960 ⁴¹	9543 960 ⁴¹
019 ^{*2}	Boiler Section, Intermediate	n.a. ^{n.a.}	n.a. ^{n.a.}	n.a. ^{n.a.}	n.a. ^{n.a.}
020 ^{*2}	Boiler Section, Intermediate	9507 594 ²⁴	9507 594 ²⁴	9507 594 ²⁴	9507 594 ²⁴
021	Manifold	7255 277 ¹⁹	7255 277 ¹⁹	7255 278 ²⁰	7255 278 ²⁰
022	Plug, 1/8" BMI	9543 412 ^{n.a.}	9543 412 ^{n.a.}	9543 412 ^{n.a.}	9543 412 ^{n.a.}
023 a ^{*3}	Orifice, Ng, 0-2000Ft	9507 072 ^D	9507 327 ^D	9507 073 ^D	9507 615 ^D
023 b ^{*3}	Orifice, Ng, 2000-4500Ft	9507 071 ^D	9507 075 ^D	9507 614 ^D	9507 074 ^D
023 c ^{*3}	Orifice, Ng, 4500-7000Ft	9507 070 ^D	9507 073 ^D	9507 071 ^D	9507 073 ^D
023 d ^{*3}	Orifice, Lp, 0-2000Ft	9507 652 ^D	9537 208 ^D	9507 640 ^D	9507 653 ^D
023 e ^{*3}	Orifice, Lp, 2000-4500Ft	9507 652 ^D	9537 208 ^D	9507 640 ^D	9507 653 ^D
023 f ^{*3}	Orifice, Lp, 4500-7000Ft	9507 652 ^D	9507 653 ^D	9507 652 ^D	9507 641 ^D
024	Burner Tube	9507 642 ¹²	9507 642 ¹²	9507 642 ¹²	9507 642 ¹²
025	Burner Tube Mounting Saddle	9507 051 ³	9507 051 ³	9507 051 ³	9507 051 ³
026	Burner Tube, 5 Port Special	9543 939 ¹²	9543 939 ¹²	9543 939 ¹²	9543 939 ¹²
027 W	Pilot Assly w Shield, Q345A	7133 695 ¹⁴	7133 695 ¹⁴	7133 695 ¹⁴	7133 695 ¹⁴
028	Ignition Module (Spark)	7134 954 ²³	7134 954 ²³	7134 954 ²³	7134 954 ²³
030 a	Gas Valve NG	9549 246 ²⁴	9549 246 ²⁴	9549 246 ²⁴	9549 246 ²⁴
030 b	Gas Valve LP	9543 716 ²⁵	9543 716 ²⁵	9543 716 ²⁵	9543 716 ²⁵
					continued

VITOGAS 050

Vitogas 050	ECD-065	ECD-080	ECD-100	ECD-115
General Info	Price List Section: 2.1			
	Parts Catalog Section 06			
	Applies to serials nos. beginning with: ECD 7133100...+ 7133101...+ 7133102...+ 7133103...+			
	Applies to serials nos. beginning with: ECDS 7134490... 7134491... 7134492... 7134493...			
	Accurate as of: 07/01/2012			

Parts List

Please refer to: Parts List
Pos. Description

Part Numbers / Price Categories

032 a W	Orifice Pilot, 0.018" (NG)	9543 391 ⁴	9543 391 ⁴	9543 391 ⁴	9543 391 ⁴
032 b W	Orifice Pilot, 0.014" (LP)	9543 392 ²	9543 392 ²	9543 392 ²	9543 392 ²
033	Bracket, Pilot Ignitor	9543 384 ⁶	9543 384 ⁶	9543 384 ⁶	9543 384 ⁶
034 W ^{*6}	Fixed High Limit, 190x3600mm	9527 410 ¹³	9527 410 ¹³	9527 410 ¹³	9527 410 ¹³
035 a ^{*4}	Aquastat, L4008A1189B	9543 875 ²³	9543 875 ²³	9543 875 ²³	9543 875 ²³
035 b ^{*4}	Adj. High Limit	9509 896 ¹³	9509 896 ¹³	9509 896 ¹³	9509 896 ¹³
036 ^{*6}	Thermometer, 30-120C DualScale	9506 884 ¹³	9506 884 ¹³	9506 884 ¹³	9506 884 ¹³
037	Pump Aquastat (104 Deg F)	9609 631 ¹⁴	9609 631 ¹⁴	9609 631 ¹⁴	9609 631 ¹⁴
038	Support Brkt, Upper Side Panel	9543 731 ⁵	9543 731 ⁵	9543 731 ⁵	9543 731 ⁵
	Support Brkt, Lower Side Panel	9543 732 ⁵	9543 732 ⁵	9543 732 ⁵	9543 732 ⁵
039	Insulation Cover, Left Side	5130 822 ⁷	5130 822 ⁷	5130 822 ⁷	5130 822 ⁷
	Insulation Cover, Right Side	5130 825 ⁶	5130 825 ⁶	5130 825 ⁶	5130 825 ⁶
040	Insulation Block, Left Side	7205 515 ⁶	7205 515 ⁶	7205 515 ⁶	7205 515 ⁶
	Insulation Block, Right Side	7205 514 ⁶	7205 514 ⁶	7205 514 ⁶	7205 514 ⁶
041	Hex Bushing 1-1/2 x 1-1/4" NPT	9543 718 ⁵	9543 718 ⁵	9543 718 ⁵	9543 718 ⁵
042	Pr.Rel Valve, 3/4" (FF) 30PSI	9542 940 ⁸	9542 940 ⁸	9542 940 ⁸	9542 940 ⁸
043 a	Press. Gage, 0-100PSI 2"	9542 939 ⁵	9542 939 ⁵	9542 939 ⁵	9542 939 ⁵
043 b	Temp. + Pr. Gage (ECDS)	9560 945 ¹¹	9560 945 ¹¹	9560 945 ¹¹	9560 945 ¹¹
044	Flame Rollout Switch 140Deg.F	9543 878 ⁸	9543 878 ⁸	9543 878 ⁸	9543 878 ⁸
045	Transformer, 120/24V 40va	9543 945 ¹¹	9543 945 ¹¹	9543 945 ¹¹	9543 945 ¹¹
046	7-Pole Terminal Strip	9543 458 ^{n.a.}	9543 458 ^{n.a.}	9543 458 ^{n.a.}	9543 458 ^{n.a.}
047	Flame Rollout Switch 235F / 113C	9543 729 ⁸	9543 729 ⁸	9543 729 ⁸	9543 729 ⁸
048	3-Pole Plug, Female, #41	7037 464 ⁵	7037 464 ⁵	7037 464 ⁵	7037 464 ⁵
	3-Pole Plug, Male, #41	7270 385 ⁵	7270 385 ⁵	7270 385 ⁵	7270 385 ⁵
058	Push Nipple, 1-1/2"	9549 506 ³	9549 506 ³	9549 506 ³	9549 506 ³
090	Install./Serv. Instr. Vitogas 050 ECD	5167 445 ^L	5167 445 ^L	5167 445 ^L	5167 445 ^L
091	Parts List Vitogas 050 ECD	5167 448 ^L	5167 448 ^L	5167 448 ^L	5167 448 ^L
092 W	Cleaning Brush	9507 137 ⁷	9507 137 ⁷	9507 137 ⁷	9507 137 ⁷
093	Installation Fittings, ECD	7133 480 ¹⁶	7133 480 ¹⁶	7133 480 ¹⁶	7133 480 ¹⁶

Conversion Kits^{*5}

	NG > LP (0-2000FT)	7134 019 ²⁷	7134 020 ²⁷	7134 021 ²⁷	7134 022 ²⁷
	LP > NG (0-2000FT)	7134 027 ²⁶	7134 028 ²⁶	7134 029 ²⁶	7134 030 ²⁶
	NG (0-2000 > 2000-4500FT)	7134 035 ¹⁰	7134 036 ¹⁰	7134 037 ¹⁰	7134 038 ¹⁰
	NG (0-2000 > 4500-7000FT)	7134 043 ¹⁰	7134 044 ¹⁰	7134 045 ¹⁰	7134 046 ¹⁰
	LP (0-2000 > 2000-4500FT)	7134 051 ¹⁰	7134 052 ¹⁰	7134 053 ¹⁰	7134 054 ¹⁰
	LP (0-2000 > 4500-7000FT)	7134 059 ¹⁰	7134 060 ¹⁰	7134 061 ¹⁰	7134 062 ¹⁰

Atola-ECD Millivolt: 1994 - present

	Ignition Module (Spark)	7134 954 ²³	7134 954 ²³	7134 954 ²³	7134 954 ²³
	M7310 Pilot	9544 319 ⁷	9544 319 ⁷	9544 319 ⁷	9544 319 ⁷
	Gas Valve NG	9544 322 ³¹	9544 322 ³¹	9544 322 ³¹	9544 322 ³¹
W	Thermopile	9544 321 ¹³	9544 321 ¹³	9544 321 ¹³	9544 321 ¹³
	Install./Serv. Instr. Atola-ECD	5167 097 ^L	5167 097 ^L	5167 097 ^L	5167 097 ^L

continued

VITOGAS 050

Vitogas 050	ECD-065	ECD-080	ECD-100	ECD-115
General Info	Price List Section: 2.1			
	Parts Catalog Section 06			
	Applies to serials nos. beginning with: ECD 7133100...+ 7133101...+ 7133102...+ 7133103...+			
	Applies to serials nos. beginning with: ECDS 7134490... 7134491... 7134492... 7134493...			
	Accurate as of: 07/01/2012			

Parts List

Please refer to: Parts List
Pos. Description

Part Numbers / Price Categories

Atola-EC Intermittent Pilot (Spark) Ignition: April 1992 to 1994

	Adj. High Limit	9509 896 ¹³	9509 896 ¹³	9509 896 ¹³	9509 896 ¹³
	Fixed High Limit	9527 055 ¹²	9527 055 ¹²	9527 055 ¹²	9527 055 ¹²
	Ignition Module (Spark)	7134 954 ²³	7134 954 ²³	7134 954 ²³	7134 954 ²³
	Pump Aquastat (104 Deg F)	9609 631 ¹⁴	9609 631 ¹⁴	9609 631 ¹⁴	9609 631 ¹⁴
W	Pilot Assly w Shield, Q345A	7133 695 ¹⁴	7133 695 ¹⁴	7133 695 ¹⁴	7133 695 ¹⁴
	Thermometer,30-120C DualScale	9506 884 ¹³	9506 884 ¹³	9506 884 ¹³	9506 884 ¹³
	Transformer, 120 / 25v, 40VA	9544 134 ¹¹	9544 134 ¹¹	9544 134 ¹¹	9544 134 ¹¹
	Orifice Pilot, 0.018" (NG)	9543 391 ⁴	9543 391 ⁴	9543 391 ⁴	9543 391 ⁴
	Orifice Pilot, 0.014" (LP)	9543 392 ²	9543 392 ²	9543 392 ²	9543 392 ²
*1	Gas Valve NG, 1/2 x 1/2"	9549 246 ²⁴	9549 246 ²⁴	9549 246 ²⁴	9549 246 ²⁴
*1	Gas Valve LP, 1/2 x 1/2"	9543 716 ²⁵	9543 716 ²⁵	9543 716 ²⁵	9543 716 ²⁵

continued

Vitogas 050	ECD-065	ECD-080	ECD-100	ECD-115
General Info	Price List Section: 2.1			
	Parts Catalog Section 06			
	Applies to serials nos. beginning with: ECD	7133100... +	7133101... +	7133102... + 7133103... +
	Applies to serials nos. beginning with: ECDS	7134490...	7134491...	7134492... 7134493...
	Accurate as of:	07/01/2012		

Parts List

Please refer to: Parts List
 Pos. Description

Part Numbers / Price Categories

Atola-EC Hot Surface Ignition (HSI): 1989 to April 1992

	Adj. High Limit	9509 896 ¹³	9509 896 ¹³	9509 896 ¹³	9509 896 ¹³
	Fixed High Limit	9527 055 ¹²	9527 055 ¹²	9527 055 ¹²	9527 055 ¹²
	Flame Sensor	9544 254 ¹¹	9544 254 ¹¹	9544 254 ¹¹	9544 254 ¹¹
W	HSI Ignitor Bracket w Shield and Screen	7133 528 ¹¹	7133 528 ¹¹	7133 528 ¹¹	7133 528 ¹¹
	Ignition Module (HSI)	9549 215 ²⁵	9549 215 ²⁵	9549 215 ²⁵	9549 215 ²⁵
	Norton HSI Ignitor 271D	9543 707 ¹⁰	9543 707 ¹⁰	9543 707 ¹⁰	9543 707 ¹⁰
	Pump Aquastat (104 Deg F)	9609 631 ¹⁴	9609 631 ¹⁴	9609 631 ¹⁴	9609 631 ¹⁴
	Thermometer,30-120C DualScale	9506 884 ¹³	9506 884 ¹³	9506 884 ¹³	9506 884 ¹³
	Primary Relay, 120/24V	9549 285 ¹⁹	9549 285 ¹⁹	9549 285 ¹⁹	9549 285 ¹⁹
	Gas Valve NG, 1/2 x 1/2" HSI	9549 286 ^D	9549 286 ^D	9549 286 ^D	9549 286 ^D
	Gas Valve LP, 1/2 x 1/2" HSI	9549 284 ^D	9549 284 ^D	9549 284 ^D	9549 284 ^D

Notes:

- *1 IMPORTANT: M-Valve originally shipped with boiler, **MUST** be replaced with P-Valve upon M-Valve failure.
- *2 IMPORTANT: If ordering replacement boiler sections, order 4 push nipples (#058) per intermediate section and 2 push nipples per side section.
- *3 WARNING: **Only** install orifice sizes as listed on the boiler rating plate. Do **NOT** use different orifices. **NEVER** attempt to convert one boiler model into another without using a Viessmann Conversion Kit.
- *4 IMPORTANT: Single high limit aquastats replaced adjustable aquastats in 1997.
- *5 WARNING: **Never** attempt conversions not listed above.
- *6 IMPORTANT: The following items do NOT apply to ECDS: 034, 036, 043a, 093. All other parts listed under Vitogas 050 ECD Spark apply to ECDS.

"n.a." indicates not applicable.

"W" indicates wearing part (service).

"L" indicates literature (no charge).

"Kit" or "Other" indicates that this is not a Price Category item; contact Inside Sales for pricing.

VITOGAS 050

Vitogas 050	ECD-140	ECD-155	ECD-180	ECD-200
General Info	Price List Section: 2.1			
	Parts Catalog Section 06			
	Applies to serials nos. beginning with: ECD 7133104... + 7133105... + 7133106... + 7133107... +			
	Applies to serials nos. beginning with: ECDS 7134494... 7134495... 7134496... 7134497...			
	Accurate as of: 07/01/2012			

Parts List

Please refer to: Parts List
Pos. Description

Part Numbers / Price Categories

Vitogas 050 ECDS: 7/2006 - present

093	Installation Fittings, ECDS	7134 506 ¹⁶	7134 506 ¹⁶	7134 506 ¹⁶	7134 506 ¹⁶
094	Wiring Harness ECDS	9560 947 ⁷	9560 947 ⁷	9560 947 ⁷	9560 947 ⁷
095	Ctrl Panel	5285 758 ¹²	5285 758 ¹²	5285 759 ¹²	5285 759 ¹²

The following items, listed below, do NOT apply to ECDS: 034, 1
All other parts listed under Vitogas 050 ECD Spark apply to ECD

Atola-ECD, Vitogas 050 ECD Spark: 1994 - present

001	Left Side Panel, SIL	9544 200 ²¹	9544 200 ²¹	9544 201 ²²	9544 201 ²²
002	Right Side Panel, SIL	9544 202 ²⁰	9544 202 ²⁰	9544 203 ²¹	9544 203 ²¹
003	Rear Panel, SIL	9544 206 ¹³	9544 206 ¹³	9544 207 ¹⁴	9544 207 ¹⁴
004	Top Panel, SIL	9544 210 ¹³	9544 210 ¹³	9544 211 ¹³	9544 211 ¹³
005	Access Door, SIL	9544 214 ¹²	9544 214 ¹²	9544 215 ¹³	9544 215 ¹³
006	Upper Front Panel, SIL	9544 218 ¹¹	9544 218 ¹¹	9544 219 ¹³	9544 219 ¹³
007	Mid Panel SIL	9544 222 ¹²	9544 222 ¹²	9544 223 ¹²	9544 223 ¹²
008	Ctrl Panel, SIL	7133 547 ¹⁰	7133 547 ¹⁰	7133 548 ¹²	7133 548 ¹²
009	Draft Hood SIL	7426 306 ³⁰	7426 306 ³⁰	7426 307 ³²	7426 307 ³²
010	Draft Hood Strap	9543 735 ^{n.a.}	9543 735 ^{n.a.}	9543 841 ⁵	9543 841 ⁵
011	Terminal Strip Cover, SIL	9544 232 ⁶	9544 232 ⁶	9544 232 ⁶	9544 232 ⁶
012	Side Panel Cover Plate, SIL	9544 233 ⁷	9544 233 ⁷	n.a. ^{n.a.}	n.a. ^{n.a.}
013	Sensor Well, 4-Point	7255 283 ⁹	7255 283 ⁹	7255 283 ⁹	7255 283 ⁹
014	Nipple, 3/4 x 4-3/4" f ECD/V SnsWell	7250 121 ⁵	7250 121 ⁵	7250 121 ⁵	7250 121 ⁵
015	Boiler Shell	9543 933 ⁵⁸	9543 933 ⁵⁸	9543 934 ⁶⁶	9543 934 ⁶⁶
016 ^{*2}	Boiler Section, Right	9507 593 ²⁵	9507 593 ²⁵	9507 593 ²⁵	9507 593 ²⁵
017 ^{*2}	Boiler Section, Left	9507 592 ²⁹	9507 592 ²⁹	9507 592 ²⁹	9507 592 ²⁹
018 ^{*2}	Boiler Section, Intermediate	9543 960 ⁴¹	9543 960 ⁴¹	9543 960 ⁴¹	9543 960 ⁴¹
019 ^{*2}	Boiler Section, Intermediate	n.a. ^{n.a.}	n.a. ^{n.a.}	9507 595 ³²	9507 595 ³²
020 ^{*2}	Boiler Section, Intermediate	9507 594 ²⁴	9507 594 ²⁴	9507 594 ²⁴	9507 594 ²⁴
021	Manifold	7255 279 ²⁰	7255 279 ²⁰	7255 280 ²⁰	7255 280 ²⁰
022	Plug, 1/8" BMI	9543 412 ^{n.a.}	9543 412 ^{n.a.}	9543 412 ^{n.a.}	9543 412 ^{n.a.}
023 a ^{*3}	Orifice, Ng, 0-2000Ft	9507 074 ^D	9507 615 ^D	9507 075 ^D	9507 327 ^D
023 b ^{*3}	Orifice, Ng, 2000-4500Ft	9507 072 ^D	9507 075 ^D	9507 072 ^D	9507 075 ^D
023 c ^{*3}	Orifice, Ng, 4500-7000Ft	9507 071 ^D	9507 072 ^D	9507 614 ^D	9507 073 ^D
023 d ^{*3}	Orifice, Lp, 0-2000Ft	9507 641 ^D	9507 653 ^D	9507 641 ^D	9537 208 ^D
023 e ^{*3}	Orifice, Lp, 2000-4500Ft	9507 641 ^D	9507 653 ^D	9507 641 ^D	9537 208 ^D
023 f ^{*3}	Orifice, Lp, 4500-7000Ft	9507 640 ^D	9507 641 ^D	9507 640 ^D	9507 653 ^D
024	Burner Tube	9507 642 ¹²	9507 642 ¹²	9507 642 ¹²	9507 642 ¹²
025	Burner Tube Mounting Saddle	9507 051 ³	9507 051 ³	9507 051 ³	9507 051 ³
026	Burner Tube, 5 Port Special	9543 939 ¹²	9543 939 ¹²	9543 939 ¹²	9543 939 ¹²
027 W	Pilot Assly w Shield, Q345A	7133 695 ¹⁴	7133 695 ¹⁴	7133 695 ¹⁴	7133 695 ¹⁴
028	Ignition Module (Spark)	7134 954 ²³	7134 954 ²³	7134 954 ²³	7134 954 ²³
030 a	Gas Valve NG	9549 246 ²⁴	9549 246 ²⁴	9549 246 ²⁴	9544 199 ²⁹
030 b	Gas Valve LP	9543 716 ²⁵	9543 716 ²⁵	9543 716 ²⁵	9543 716 ²⁵
					continued

VITOGAS 050

Vitogas 050	ECD-140	ECD-155	ECD-180	ECD-200
General Info	Price List Section: 2.1			
	Parts Catalog Section 06			
	Applies to serials nos. beginning with: ECD 7133104...+ 7133105...+ 7133106...+ 7133107...+			
	Applies to serials nos. beginning with: ECDS 7134494... 7134495... 7134496... 7134497...			
	Accurate as of: 07/01/2012			

Parts List

Please refer to: Parts List
Pos. Description

Part Numbers / Price Categories

032 a W	Orifice Pilot, 0.018" (NG)	9543 391 ⁴	9543 391 ⁴	9543 391 ⁴	9543 391 ⁴
032 b W	Orifice Pilot, 0.014" (LP)	9543 392 ²	9543 392 ²	9543 392 ²	9543 392 ²
033	Bracket, Pilot Ignitor	9543 384 ⁶	9543 384 ⁶	9543 384 ⁶	9543 384 ⁶
034 W ^{*6}	Fixed High Limit, 190x3600mm	9527 410 ¹³	9527 410 ¹³	9527 410 ¹³	9527 410 ¹³
035 a ^{*4}	Aquastat, L4008A1189B	9543 875 ²³	9543 875 ²³	9543 875 ²³	9543 875 ²³
035 b ^{*4}	Adj. High Limit	9509 896 ¹³	9509 896 ¹³	9509 896 ¹³	9509 896 ¹³
036 ^{*6}	Thermometer, 30-120C DualScale	9506 884 ¹³	9506 884 ¹³	9506 884 ¹³	9506 884 ¹³
037	Pump Aquastat (104 Deg F)	9609 631 ¹⁴	9609 631 ¹⁴	9609 631 ¹⁴	9609 631 ¹⁴
038	Support Brkt, Upper Side Panel	9543 731 ⁵	9543 731 ⁵	9543 731 ⁵	9543 731 ⁵
	Support Brkt, Lower Side Panel	9543 732 ⁵	9543 732 ⁵	9543 732 ⁵	9543 732 ⁵
039	Insulation Cover, Left Side	5130 822 ⁷	5130 822 ⁷	5130 822 ⁷	5130 822 ⁷
	Insulation Cover, Right Side	5130 825 ⁶	5130 825 ⁶	5130 825 ⁶	5130 825 ⁶
040	Insulation Block, Left Side	7205 515 ⁶	7205 515 ⁶	7205 515 ⁶	7205 515 ⁶
	Insulation Block, Right Side	7205 514 ⁶	7205 514 ⁶	7205 514 ⁶	7205 514 ⁶
041	Hex Bushing 1-1/2 x 1-1/4" NPT	9543 718 ⁵	9543 718 ⁵	9543 718 ⁵	9543 718 ⁵
042	Pr.Rel Valve, 3/4" (FF) 30PSI	9542 940 ⁸	9542 940 ⁸	9542 940 ⁸	9542 940 ⁸
043 a	Press. Gage, 0-100PSI 2"	9542 939 ⁵	9542 939 ⁵	9542 939 ⁵	9542 939 ⁵
043 b	Temp. + Pr. Gage (ECDS)	9560 945 ¹¹	9560 945 ¹¹	9560 945 ¹¹	9560 945 ¹¹
044	Flame Rollout Switch 140Deg.F	9543 878 ⁸	9543 878 ⁸	9543 878 ⁸	9543 878 ⁸
045	Transformer, 120/24V 40va	9543 945 ¹¹	9543 945 ¹¹	9543 945 ¹¹	9543 945 ¹¹
046	7-Pole Terminal Strip	9543 458 ^{n.a.}	9543 458 ^{n.a.}	9543 458 ^{n.a.}	9543 458 ^{n.a.}
047	Flame Rollout Switch 235F / 113C	9543 729 ⁸	9543 729 ⁸	9543 729 ⁸	9543 729 ⁸
048	3-Pole Plug, Female, #41	7037 464 ⁵	7037 464 ⁵	7037 464 ⁵	7037 464 ⁵
	3-Pole Plug, Male, #41	7270 385 ⁵	7270 385 ⁵	7270 385 ⁵	7270 385 ⁵
058	Push Nipple, 1-1/2"	9549 506 ³	9549 506 ³	9549 506 ³	9549 506 ³
090	Install./Serv. Instr. Vitogas 050 ECD	5167 445 ^L	5167 445 ^L	5167 445 ^L	5167 445 ^L
091	Parts List Vitogas 050 ECD	5167 448 ^L	5167 448 ^L	5167 448 ^L	5167 448 ^L
092 W	Cleaning Brush	9507 137 ⁷	9507 137 ⁷	9507 137 ⁷	9507 137 ⁷
093	Installation Fittings, ECD	7133 480 ¹⁶	7133 480 ¹⁶	7133 480 ¹⁶	7133 480 ¹⁶

Conversion Kits^{*5}

	NG > LP (0-2000FT)	7134 023 ²⁷	7134 024 ²⁷	7134 025 ²⁷	7134 026 ²⁷
	LP > NG (0-2000FT)	7134 031 ²⁶	7134 032 ²⁶	7134 033 ²⁶	7134 034 ³⁰
	NG (0-2000 > 2000-4500FT)	7134 039 ¹⁰	7134 040 ¹⁰	7134 041 ¹⁰	7134 042 ¹⁰
	NG (0-2000 > 4500-7000FT)	7134 047 ¹⁰	7134 048 ¹⁰	7134 049 ¹⁰	7134 050 ¹⁰
	LP (0-2000 > 2000-4500FT)	7134 055 ¹⁰	7134 056 ¹⁰	7134 057 ¹⁰	7134 058 ¹⁰
	LP (0-2000 > 4500-7000FT)	7134 063 ¹⁰	7134 064 ¹⁰	7134 065 ¹⁰	7134 066 ¹⁰

Atola-ECD Millivolt: 1994 - present

	Ignition Module (Spark)	7134 954 ²³	7134 954 ²³	n.a. ^{n.a.}	n.a. ^{n.a.}
	M7310 Pilot	9544 319 ⁷	9544 319 ⁷	n.a. ^{n.a.}	n.a. ^{n.a.}
	Gas Valve NG	9544 322 ³¹	9544 322 ³¹	n.a. ^{n.a.}	n.a. ^{n.a.}
W	Thermopile	9544 321 ¹³	9544 321 ¹³	n.a. ^{n.a.}	n.a. ^{n.a.}
	Install./Serv. Instr. Atola-ECD	5167 097 ^L	5167 097 ^L	n.a. ^{n.a.}	n.a. ^{n.a.}

continued

VITOGAS 050

Vitogas 050	ECD-140	ECD-155	ECD-180	ECD-200
General Info	Price List Section: 2.1			
	Parts Catalog Section 06			
	Applies to serials nos. beginning with: ECD 7133104...+ 7133105...+ 7133106...+ 7133107...+			
	Applies to serials nos. beginning with: ECDS 7134494... 7134495... 7134496... 7134497...			
	Accurate as of: 07/01/2012			

Parts List

Please refer to: Parts List
Pos. Description

Part Numbers / Price Categories

Atola-EC Intermittent Pilot (Spark) Ignition: April 1992 to 1994

	Adj. High Limit	9509 896 ¹³	9509 896 ¹³	n.a. ^{n.a.}	n.a. ^{n.a.}
	Fixed High Limit	9527 055 ¹²	9527 055 ¹²	n.a. ^{n.a.}	n.a. ^{n.a.}
	Ignition Module (Spark)	7134 954 ²³	7134 954 ²³	n.a. ^{n.a.}	n.a. ^{n.a.}
	Pump Aquastat (104 Deg F)	9609 631 ¹⁴	9609 631 ¹⁴	n.a. ^{n.a.}	n.a. ^{n.a.}
W	Pilot Assly w Shield, Q345A	7133 695 ¹⁴	7133 695 ¹⁴	n.a. ^{n.a.}	n.a. ^{n.a.}
	Thermometer,30-120C DualScale	9506 884 ¹³	9506 884 ¹³	n.a. ^{n.a.}	n.a. ^{n.a.}
	Transformer, 120 / 25v, 40VA	9544 134 ¹¹	9544 134 ¹¹	n.a. ^{n.a.}	n.a. ^{n.a.}
	Orifice Pilot, 0.018" (NG)	9543 391 ⁴	9543 391 ⁴	n.a. ^{n.a.}	n.a. ^{n.a.}
	Orifice Pilot, 0.014" (LP)	9543 392 ²	9543 392 ²	n.a. ^{n.a.}	n.a. ^{n.a.}
*1	Gas Valve NG, 1/2 x 1/2"	9549 246 ²⁴	9549 246 ²⁴	n.a. ^{n.a.}	n.a. ^{n.a.}
*1	Gas Valve LP, 1/2 x 1/2"	9543 716 ²⁵	9543 716 ²⁵	n.a. ^{n.a.}	n.a. ^{n.a.}

continued

Vitogas 050	ECD-140	ECD-155	ECD-180	ECD-200
General Info	Price List Section: 2.1			
	Parts Catalog Section 06			
	Applies to serials nos. beginning with: ECD 7133104...+ 7133105...+ 7133106...+ 7133107...+			
	Applies to serials nos. beginning with: ECDS 7134494... 7134495... 7134496... 7134497...			
	Accurate as of: 07/01/2012			

Parts List

Please refer to: Parts List
Pos. Description

Part Numbers / Price Categories

Atola-EC Hot Surface Ignition (HSI): 1989 to April 1992

	Adj. High Limit	9509 896 ¹³	9509 896 ¹³	n.a. ^{n.a.}	n.a. ^{n.a.}
	Fixed High Limit	9527 055 ¹²	9527 055 ¹²	n.a. ^{n.a.}	n.a. ^{n.a.}
	Flame Sensor	9544 254 ¹¹	9544 254 ¹¹	n.a. ^{n.a.}	n.a. ^{n.a.}
W	HSI Ignitor Bracket w Shield and Screen	7133 528 ¹¹	7133 528 ¹¹	n.a. ^{n.a.}	n.a. ^{n.a.}
	Ignition Module (HSI)	9549 215 ²⁵	9549 215 ²⁵	n.a. ^{n.a.}	n.a. ^{n.a.}
	Norton HSI Ignitor 271D	9543 707 ¹⁰	9543 707 ¹⁰	n.a. ^{n.a.}	n.a. ^{n.a.}
	Pump Aquastat (104 Deg F)	9609 631 ¹⁴	9609 631 ¹⁴	n.a. ^{n.a.}	n.a. ^{n.a.}
	Thermometer,30-120C DualScale	9506 884 ¹³	9506 884 ¹³	n.a. ^{n.a.}	n.a. ^{n.a.}
	Primary Relay, 120/24V	9549 285 ¹⁹	9549 285 ¹⁹	n.a. ^{n.a.}	n.a. ^{n.a.}
	Gas Valve NG, 1/2 x 1/2" HSI	9549 286 ^D	9549 286 ^D	n.a. ^{n.a.}	n.a. ^{n.a.}
	Gas Valve LP, 1/2 x 1/2" HSI	9549 284 ^D	9549 284 ^D	n.a. ^{n.a.}	n.a. ^{n.a.}

Notes:

- *1 IMPORTANT: M-Valve originally shipped with boiler, **MUST** be replaced with P-Valve upon M-Valve failure.
- *2 IMPORTANT: If ordering replacement boiler sections, order 4 push nipples (#058) per intermediate section and 2 push nipples per side section.
- *3 WARNING: **Only** install orifice sizes as listed on the boiler rating plate. Do **NOT** use different orifices. **NEVER** attempt to convert one boiler model into another without using a Viessmann Conversion Kit.
- *4 IMPORTANT: Single high limit aquastats replaced adjustable aquastats in 1997.
- *5 WARNING: **Never** attempt conversions not listed above.
- *6 IMPORTANT: The following items do NOT apply to ECDS: 034, 036, 043a, 093. All other parts listed under Vitogas 050 ECD Spark apply to ECDS.

"n.a." indicates not applicable.

"W" indicates wearing part (service).

"L" indicates literature (no charge).

"Kit" or "Other" indicates that this is not a Price Category item;

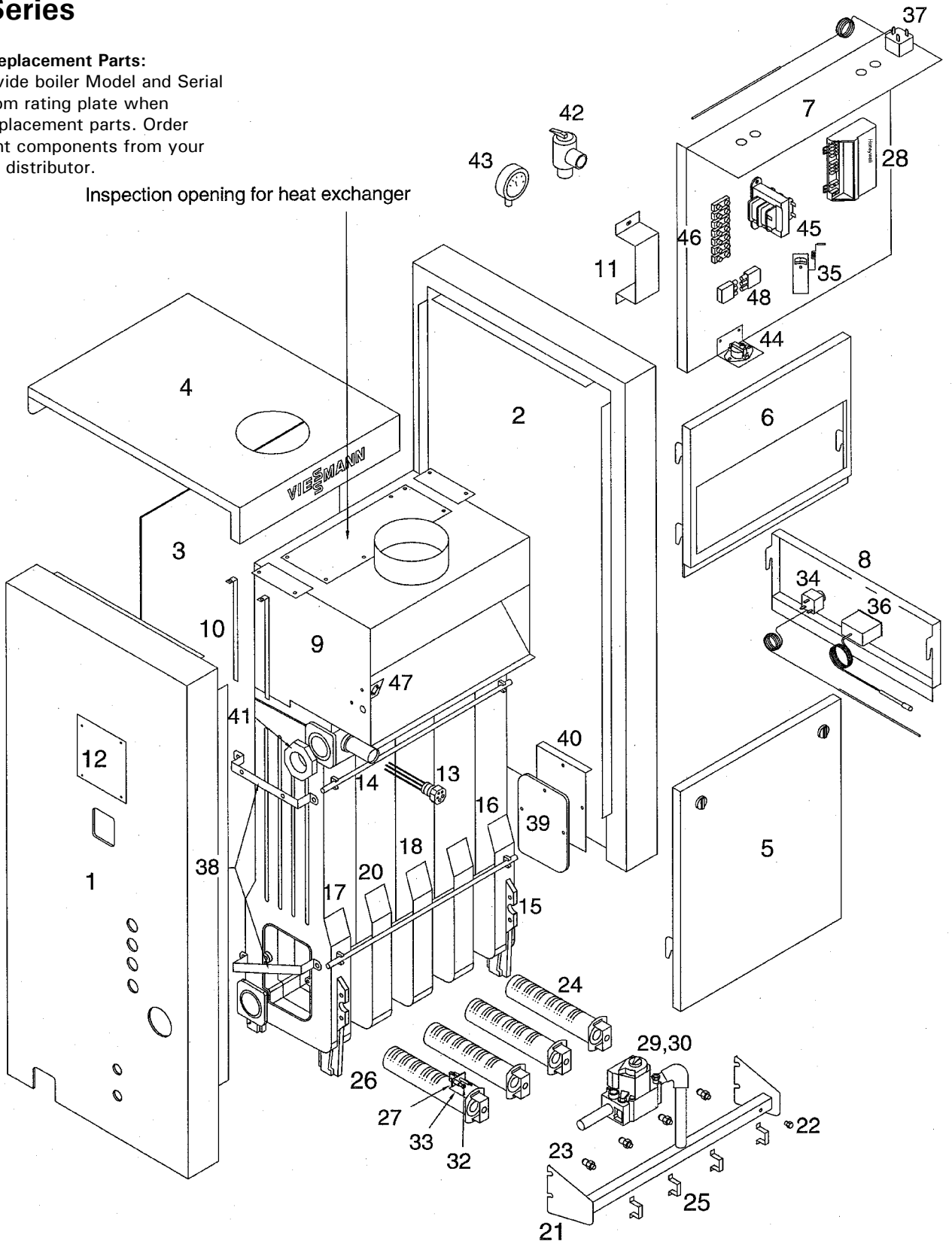
Parts List



Vitogas 050 ECD Series

Ordering Replacement Parts:
Please provide boiler Model and Serial Number from rating plate when ordering replacement parts. Order replacement components from your Viessmann distributor.

Please file in Service Binder



Some components are not exactly as illustrated.

VITOGAS 050

Vitogas 050	ECV-065	ECV-080	ECV-100	ECV-115
General Info	Price List Section: 2.2			
	Parts Catalog Section: 07			
	Series Name: ECV (Vito) (11/2000 -)			
	Applies to serials nos. beginning with: 7133150...+ 7133151...+ 7133152...+ 7133153...+			
	Accurate as of: 07/01/2012			

Parts List

Please refer to: Parts List
Pos. Description

Part Numbers / Price Categories

Pos.	Description	9544 200 ²¹	9544 200 ²¹	9544 200 ²¹	9544 200 ²¹
001	Left Side Panel, SIL	9544 200 ²¹	9544 200 ²¹	9544 200 ²¹	9544 200 ²¹
002	Right Side Panel, SIL	9544 202 ²⁰	9544 202 ²⁰	9544 202 ²⁰	9544 202 ²⁰
003	Rear Panel, SIL	9544 204 ¹²	9544 204 ¹²	9544 205 ¹³	9544 205 ¹³
004	Top Panel, SIL	9544 236 ¹³	9544 236 ¹³	9544 237 ¹⁴	9544 237 ¹⁴
005	Access Door, SIL	9544 212 ¹¹	9544 212 ¹¹	9544 213 ¹²	9544 213 ¹²
006	Upper Front Panel, SIL	9544 240 ¹¹	9544 240 ¹¹	9544 241 ¹²	9544 241 ¹²
007	Mid Panel SIL	9544 220 ¹¹	9544 220 ¹¹	9544 221 ¹²	9544 221 ¹²
008	Ctrl Panel, SIL	7133 545 ¹⁰	7133 545 ¹⁰	7133 546 ¹⁰	7133 546 ¹⁰
009	Collector Box	9543 914 ²²	9543 914 ²²	9543 915 ²³	9543 915 ²³
010	Collector Box Brkt Left Side	9543 733 ⁸	9543 733 ⁸	9543 733 ⁸	9543 733 ⁸
	Collector Box Brkt Right Side	9543 734 ⁸	9543 734 ⁸	9543 734 ⁸	9543 734 ⁸
011	Collector Box	n.a. ^{n.a.}	n.a. ^{n.a.}	n.a. ^{n.a.}	n.a. ^{n.a.}
012	Collector Box Lower Cover	9543 842 ⁸	9543 842 ⁸	9543 842 ⁸	9543 842 ⁸
013	Fan Restrictor Plate, 1-1/4"	9543 736 ⁵	9543 736 ⁵	9543 737 ⁵	9543 738 ⁵
014	Terminal Strip Cover, SIL	9544 232 ⁶	9544 232 ⁶	9544 232 ⁶	9544 232 ⁶
015	Press. Tube Brkt	9543 741 ³	9543 741 ³	9543 741 ³	9543 741 ³
016	Outlet Disk, 1-1/4"	9543 742 ⁵	9543 743 ⁵	n.a. ^{n.a.}	n.a. ^{n.a.}
017	Gasket, f Venter Assly	9543 394 ⁴	9543 394 ⁴	9543 394 ⁴	9543 394 ⁴
018	Replacement Blower Kit	7134 120 ³⁰	7134 120 ³⁰	7134 120 ³⁰	7134 120 ³⁰
019	Press. Switch, Tridelta	7829 171 ¹³	7829 171 ¹³	9560 946 ¹²	9560 946 ¹²
020	Sensor Well, 4-Point	7255 283 ⁹	7255 283 ⁹	7255 283 ⁹	7255 283 ⁹
021	Nipple, 3/4 x 4-3/4"	7250 121 ⁵	7250 121 ⁵	7250 121 ⁵	7250 121 ⁵
022	Boiler Shell	9543 931 ⁴⁸	9543 931 ⁴⁸	9543 932 ⁵⁵	9543 932 ⁵⁵
023 ^{*1}	Boiler Section, Right	9507 593 ²⁵	9507 593 ²⁵	9507 593 ²⁵	9507 593 ²⁵
024 ^{*1}	Boiler Section, Left	9507 592 ²⁹	9507 592 ²⁹	9507 592 ²⁹	9507 592 ²⁹
025 ^{*1}	Boiler Section, Intermediate	n.a. ^{n.a.}	n.a. ^{n.a.}	9543 960 ⁴¹	9543 960 ⁴¹
026 ^{*1}	Boiler Section, Intermediate	n.a. ^{n.a.}	n.a. ^{n.a.}	n.a. ^{n.a.}	n.a. ^{n.a.}
027 ^{*1}	Boiler Section, Intermediate	9507 594 ²⁴	9507 594 ²⁴	9507 594 ²⁴	9507 594 ²⁴
028	Manifold	7255 277 ¹⁹	7255 277 ¹⁹	7255 278 ²⁰	7255 278 ²⁰
029	Plug, 1/8" BMI	9543 412 ^{n.a.}	9543 412 ^{n.a.}	9543 412 ^{n.a.}	9543 412 ^{n.a.}
030 a ^{*2}	Orifice, Ng, 0-2000Ft	9507 072 ^D	9507 327 ^D	9507 073 ^D	9507 615 ^D
030 b ^{*2}	Orifice, Ng, 2000-4500Ft	9507 071 ^D	9507 075 ^D	9507 614 ^D	9507 074 ^D
030 c ^{*2}	Orifice, Ng, 4500-7000Ft	9507 070 ^D	9507 073 ^D	9507 071 ^D	9507 073 ^D
030 d ^{*2}	Orifice, Lp, 0-2000Ft	9507 652 ^D	9537 208 ^D	9507 640 ^D	9507 653 ^D
030 e ^{*2}	Orifice, Lp, 2000-4500Ft	9507 652 ^D	9537 208 ^D	9507 640 ^D	9507 653 ^D
030 f ^{*2}	Orifice, Lp, 4500-7000Ft	9507 652 ^D	9507 653 ^D	9507 652 ^D	9507 641 ^D
031	Burner Tube	9507 642 ¹²	9507 642 ¹²	9507 642 ¹²	9507 642 ¹²
032	Burner Tube, Mntng Saddle	9507 051 ³	9507 051 ³	9507 051 ³	9507 051 ³
033	Burner Tube, 5 Port Special	9543 939 ¹²	9543 939 ¹²	9543 939 ¹²	9543 939 ¹²
034 W	Pilot Assly w Shield, Q345A	7133 695 ¹⁴	7133 695 ¹⁴	7133 695 ¹⁴	7133 695 ¹⁴
035 a	Ignition Module (w Retry) NG	7134 955 ²³	7134 955 ²³	7134 955 ²³	7134 955 ²³
035 b	Ignition Module (Spark), LP	7134 954 ²³	7134 954 ²³	7134 954 ²³	7134 954 ²³
					continued

VITOGAS 050

Vitogas 050	ECV-065	ECV-080	ECV-100	ECV-115
General Info	Price List Section: 2.2			
	Parts Catalog Section: 07			
	Series Name: ECV (Vito) (11/2000 -)			
	Applies to serials nos. beginning with: 7133150...+ 7133151...+ 7133152...+ 7133153...+			
	Accurate as of: 07/01/2012			

Parts List

Please refer to: Parts List
Pos. Description

Part Numbers / Price Categories

Pos.	Description	9543 730 ²³	9543 730 ²³	9543 730 ²³	9543 730 ²³
037	Gas Valve NG/LP, 1/2 x 1/2"	9543 730 ²³	9543 730 ²³	9543 730 ²³	9543 730 ²³
039 a W	Orifice Pilot, 0.018" (NG)	9543 391 ⁴	9543 391 ⁴	9543 391 ⁴	9543 391 ⁴
039 b W	Orifice Pilot, 0.014" (LP)	9543 392 ²	9543 392 ²	9543 392 ²	9543 392 ²
040	Bracket, Pilot Ignitor	9543 384 ⁶	9543 384 ⁶	9543 384 ⁶	9543 384 ⁶
041	Pilot Shield	9543 383 ⁶	9543 383 ⁶	9543 383 ⁶	9543 383 ⁶
042 W	Fixed High Limit, 190x3600mm	9527 410 ¹³	9527 410 ¹³	9527 410 ¹³	9527 410 ¹³
043 a *4	Aquastat, L4008A1189B	9543 875 ²³	9543 875 ²³	9543 875 ²³	9543 875 ²³
043 b *4	Adj. High Limit	9509 896 ¹³	9509 896 ¹³	9509 896 ¹³	9509 896 ¹³
044	Thermometer,30-120C DualScale	9506 884 ¹³	9506 884 ¹³	9506 884 ¹³	9506 884 ¹³
045	Pump Aquastat (104 Deg F)	9609 631 ¹⁴	9609 631 ¹⁴	9609 631 ¹⁴	9609 631 ¹⁴
046	Support Brkt, Upper Side Panel	9543 731 ⁵	9543 731 ⁵	9543 731 ⁵	9543 731 ⁵
	Support Brkt, Lower Side Panel	9543 732 ⁵	9543 732 ⁵	9543 732 ⁵	9543 732 ⁵
047	Insulation Cover, Left Side	5130 822 ⁷	5130 822 ⁷	5130 822 ⁷	5130 822 ⁷
	Insulation Cover, Right Side	5130 825 ⁶	5130 825 ⁶	5130 825 ⁶	5130 825 ⁶
048	Insulation Block, Left Side	7205 515 ⁶	7205 515 ⁶	7205 515 ⁶	7205 515 ⁶
	Insulation Block, Right Side	7205 514 ⁶	7205 514 ⁶	7205 514 ⁶	7205 514 ⁶
049	Hex Bushing 1-1/2 x 1-1/4" NPT	9543 718 ⁵	9543 718 ⁵	9543 718 ⁵	9543 718 ⁵
050	Pr.Rel Valve, 3/4" (FF) 30PSI	9542 940 ⁸	9542 940 ⁸	9542 940 ⁸	9542 940 ⁸
051	Press. Gage, 0-100PSI 2"	9542 939 ⁵	9542 939 ⁵	9542 939 ⁵	9542 939 ⁵
052	Flame Rollout Switch 140Deg.F	9543 878 ⁸	9543 878 ⁸	9543 878 ⁸	9543 878 ⁸
053	Sequence Timer 14s22	9543 944 ¹⁰	9543 944 ¹⁰	9543 944 ¹⁰	9543 944 ¹⁰
054	Transformer, 120/24V 40va	9543 945 ¹¹	9543 945 ¹¹	9543 945 ¹¹	9543 945 ¹¹
055	Relay Coil, 24V	9543 943 ¹²	9543 943 ¹²	9543 943 ¹²	9543 943 ¹²
056	7-Pole Terminal Strip	9543 458 ^{n.a.}	9543 458 ^{n.a.}	9543 458 ^{n.a.}	9543 458 ^{n.a.}
057	Flame Rollout Switch 235 Deg. F	9543 729 ⁸	9543 729 ⁸	9543 729 ⁸	9543 729 ⁸
058	Push Nipple, 1-1/2"	9549 506 ³	9549 506 ³	9549 506 ³	9549 506 ³
090	Install./Serv. Instr. Vitogas 050 ECV	5167 450 ^L	5167 450 ^L	5167 450 ^L	5167 450 ^L
091	Parts List Vitogas 050 ECV	5167 453 ^L	5167 453 ^L	5167 453 ^L	5167 453 ^L
092 W	Cleaning Brush	9507 137 ⁷	9507 137 ⁷	9507 137 ⁷	9507 137 ⁷

VITOGAS 050

Vitogas 050	ECV-065	ECV-080	ECV-100	ECV-115
--------------------	----------------	----------------	----------------	----------------

General Info	Price List Section:	2.2
	Parts Catalog Section	07
	Series Name:	ECV (Vito) (11/2000 -)
	Applies to serials nos. beginning with:	7133150...+ 7133151...+ 7133152...+ 7133153...+
	Accurate as of:	07/01/2012

Parts List

Please refer to: Parts List
Pos. Description

Part Numbers / Price Categories

Conversion Kits *5

NG > LP (0-2000FT)	7134 067 ²⁶	7134 068 ²⁶	7134 069 ²⁶	7134 070 ²⁶
LP > NG (0-2000FT)	7134 075 ²⁷	7134 076 ²⁷	7134 077 ²⁷	7134 078 ²⁷
NG (0-2000 > 2000-4500FT)	7134 083 ^D	7134 084 ^D	7134 085 ^D	7134 086 ^D
NG (0-2000 > 4500-7000FT)	7134 091 ^D	7134 092 ^D	7134 093 ^D	7134 094 ^D
LP (0-2000 > 2000-4500FT)	7134 099 ^D	7134 100 ^D	7134 101 ^D	7134 102 ^D
LP (0-2000 > 4500-7000FT)	7134 107 ^D	7134 108 ^D	7134 109 ^D	7134 110 ^D

Notes:

*1 IMPORTANT: If ordering replacement boiler sections, order 4 push nipples (#058) per intermediate section and 2 push nipples per side section.

*2 WARNING: **Only** install orifice sizes as listed on the boiler rating plate. Do **NOT** use different orifices. **NEVER** attempt to convert one boiler model into another without using a Viessmann Conversion Kit.

*4 IMPORTANT: Single high limit aquastats replaced adjustable aquastats in 1997.

*5 WARNING: **Never** attempt conversions not listed above.

"n.a." indicates not applicable.

"W" indicates wearing part (service).

"L" indicates literature (no charge).

"Kit" or "Other" indicates that this is not a Price Category item; contact Inside Sales for pricing.

VITOGAS 050

Vitogas 050	ECV-140	ECV-155	ECV-180	ECV-200
General Info	Price List Section: 2.2			
	Parts Catalog Section: 07			
	Series Name: ECV (Vito) (11/2000 -)			
	Applies to serials nos. beginning with: 7133154...+ 7133155...+ 7133156...+ 7133157...+			
	Accurate as of: 07/01/2012			

Parts List

Please refer to: Parts List
Pos. Description

Part Numbers / Price Categories

Pos.	Description	9544 200 ²¹	9544 200 ²¹	9544 200 ²¹	9544 200 ²¹
001	Left Side Panel, SIL	9544 200 ²¹	9544 200 ²¹	9544 200 ²¹	9544 200 ²¹
002	Right Side Panel, SIL	9544 202 ²⁰	9544 202 ²⁰	9544 202 ²⁰	9544 202 ²⁰
003	Rear Panel, SIL	9544 206 ¹³	9544 206 ¹³	9544 235 ¹⁴	9544 235 ¹⁴
004	Top Panel, SIL	9544 238 ¹⁵	9544 238 ¹⁵	9544 239 ¹⁵	9544 239 ¹⁵
005	Access Door, SIL	9544 214 ¹²	9544 214 ¹²	9544 215 ¹³	9544 215 ¹³
006	Upper Front Panel, SIL	9544 242 ¹³	9544 242 ¹³	9544 243 ¹³	9544 243 ¹³
007	Mid Panel SIL	9544 222 ¹²	9544 222 ¹²	9544 223 ¹²	9544 223 ¹²
008	Ctrl Panel, SIL	7133 547 ¹⁰	7133 547 ¹⁰	7133 548 ¹²	7133 548 ¹²
009	Collector Box	9543 916 ²⁴	9543 916 ²⁴	9543 917 ²⁵	9543 917 ²⁵
010	Collector Box Brkt Left Side	9543 733 ⁸	9543 733 ⁸	9543 733 ⁸	9543 733 ⁸
	Collector Box Brkt Right Side	9543 734 ⁸	9543 734 ⁸	9543 734 ⁸	9543 734 ⁸
011	Collector Box	n.a. ^{n.a.}	n.a. ^{n.a.}	9543 917 ²⁵	9543 917 ²⁵
012	Collector Box Lower Cover	9543 842 ⁸	9543 842 ⁸	9543 842 ⁸	9543 842 ⁸
013	Fan Restrictor Plate, 1-1/4"	9543 739 ⁵	9543 740 ⁵	n.a. ^{n.a.}	n.a. ^{n.a.}
014	Terminal Strip Cover, SIL	9544 232 ⁶	9544 232 ⁶	9544 232 ⁶	9544 232 ⁶
015	Press. Tube Brkt	9543 741 ³	9543 741 ³	9543 741 ³	9543 741 ³
016	Outlet Disk, 1-1/4"	n.a. ^{n.a.}	n.a. ^{n.a.}	n.a. ^{n.a.}	n.a. ^{n.a.}
017	Gasket, f Venter Assly	9543 394 ⁴	9543 394 ⁴	9543 394 ⁴	9543 394 ⁴
018	Replacement Blower Kit	7134 120 ³⁰	7134 120 ³⁰	7134 121 ³¹	7134 121 ³¹
019	Press. Switch, Tridelta	9560 946 ¹²	9560 946 ¹²	7829 171 ¹³	7829 171 ¹³
020	Sensor Well, 4-Point	7255 283 ⁹	7255 283 ⁹	7255 283 ⁹	7255 283 ⁹
021	Nipple, 3/4 x 4-3/4"	7250 121 ⁵	7250 121 ⁵	7250 121 ⁵	7250 121 ⁵
022	Boiler Shell	9543 933 ⁵⁸	9543 933 ⁵⁸	9543 934 ⁶⁶	9543 934 ⁶⁶
023 ^{*1}	Boiler Section, Right	9507 593 ²⁵	9507 593 ²⁵	9507 593 ²⁵	9507 593 ²⁵
024 ^{*1}	Boiler Section, Left	9507 592 ²⁹	9507 592 ²⁹	9507 592 ²⁹	9507 592 ²⁹
025 ^{*1}	Boiler Section, Intermediate	9543 960 ⁴¹	9543 960 ⁴¹	9543 960 ⁴¹	9543 960 ⁴¹
026 ^{*1}	Boiler Section, Intermediate	n.a. ^{n.a.}	n.a. ^{n.a.}	9507 595 ³²	9507 595 ³²
027 ^{*1}	Boiler Section, Intermediate	9507 594 ²⁴	9507 594 ²⁴	9507 594 ²⁴	9507 594 ²⁴
028	Manifold	7255 279 ²⁰	7255 279 ²⁰	7255 280 ²⁰	7255 280 ²⁰
029	Plug, 1/8" BMI	9543 412 ^{n.a.}	9543 412 ^{n.a.}	9543 412 ^{n.a.}	9543 412 ^{n.a.}
030 a ^{*2}	Orifice, Ng, 0-2000Ft	9507 074 ^D	9507 615 ^D	9507 075 ^D	9507 327 ^D
030 b ^{*2}	Orifice, Ng, 2000-4500Ft	9507 072 ^D	9507 075 ^D	9507 072 ^D	9507 075 ^D
030 c ^{*2}	Orifice, Ng, 4500-7000Ft	9507 071 ^D	9507 072 ^D	9507 614 ^D	9507 073 ^D
030 d ^{*2}	Orifice, Lp, 0-2000Ft	9507 641 ^D	9507 653 ^D	9507 641 ^D	9537 208 ^D
030 e ^{*2}	Orifice, Lp, 2000-4500Ft	9507 641 ^D	9507 653 ^D	9507 641 ^D	9537 208 ^D
030 f ^{*2}	Orifice, Lp, 4500-7000Ft	9507 640 ^D	9507 641 ^D	9507 640 ^D	9507 653 ^D
031	Burner Tube	9507 642 ¹²	9507 642 ¹²	9507 642 ¹²	9507 642 ¹²
032	Burner Tube, Mntng Saddle	9507 051 ³	9507 051 ³	9507 051 ³	9507 051 ³
033	Burner Tube, 5 Port Special	9543 939 ¹²	9543 939 ¹²	9543 939 ¹²	9543 939 ¹²
034 W	Pilot Assly w Shield, Q345A	7133 695 ¹⁴	7133 695 ¹⁴	7133 695 ¹⁴	7133 695 ¹⁴
035 a	Ignition Module (w Retry) NG	7134 955 ²³	7134 955 ²³	7134 955 ²³	7134 955 ²³
035 b	Ignition Module (Spark), LP	7134 954 ²³	7134 954 ²³	7134 954 ²³	7134 954 ²³
					continued

VITOGAS 050

Vitogas 050	ECV-140	ECV-155	ECV-180	ECV-200
General Info	Price List Section: 2.2			
	Parts Catalog Section: 07			
	Series Name: ECV (Vito) (11/2000 -)			
	Applies to serials nos. beginning with: 7133154...+ 7133155...+ 7133156...+ 7133157...+			
	Accurate as of: 07/01/2012			

Parts List

Please refer to: Parts List
Pos. Description

Part Numbers / Price Categories

037	Gas Valve NG/LP, 1/2 x 1/2"	9543 730 ²³	9543 730 ²³	9543 730 ²³	9543 730 ²³
039 a W	Orifice Pilot, 0.018" (NG)	9543 391 ⁴	9543 391 ⁴	9543 391 ⁴	9543 391 ⁴
039 b W	Orifice Pilot, 0.014" (LP)	9543 392 ²	9543 392 ²	9543 392 ²	9543 392 ²
040	Bracket, Pilot Ignitor	9543 384 ⁶	9543 384 ⁶	9543 384 ⁶	9543 384 ⁶
041	Pilot Shield	9543 383 ⁶	9543 383 ⁶	9543 383 ⁶	9543 383 ⁶
042 W	Fixed High Limit, 190x3600mm	9527 410 ¹³	9527 410 ¹³	9527 410 ¹³	9527 410 ¹³
043 a *4	Aquastat, L4008A1189B	9543 875 ²³	9543 875 ²³	9543 875 ²³	9543 875 ²³
043 b *4	Adj. High Limit	9509 896 ¹³	9509 896 ¹³	9509 896 ¹³	9509 896 ¹³
044	Thermometer,30-120C DualScale	9506 884 ¹³	9506 884 ¹³	9506 884 ¹³	9506 884 ¹³
045	Pump Aquastat (104 Deg F)	9609 631 ¹⁴	9609 631 ¹⁴	9609 631 ¹⁴	9609 631 ¹⁴
046	Support Brkt, Upper Side Panel	9543 731 ⁵	9543 731 ⁵	9543 731 ⁵	9543 731 ⁵
	Support Brkt, Lower Side Panel	9543 732 ⁵	9543 732 ⁵	9543 732 ⁵	9543 732 ⁵
047	Insulation Cover, Left Side	5130 822 ⁷	5130 822 ⁷	5130 822 ⁷	5130 822 ⁷
	Insulation Cover, Right Side	5130 825 ⁶	5130 825 ⁶	5130 825 ⁶	5130 825 ⁶
048	Insulation Block, Left Side	7205 515 ⁶	7205 515 ⁶	7205 515 ⁶	7205 515 ⁶
	Insulation Block, Right Side	7205 514 ⁶	7205 514 ⁶	7205 514 ⁶	7205 514 ⁶
049	Hex Bushing 1-1/2 x 1-1/4" NPT	9543 718 ⁵	9543 718 ⁵	9543 718 ⁵	9543 718 ⁵
050	Pr.Rel Valve, 3/4" (FF) 30PSI	9542 940 ⁸	9542 940 ⁸	9542 940 ⁸	9542 940 ⁸
051	Press. Gage, 0-100PSI 2"	9542 939 ⁵	9542 939 ⁵	9542 939 ⁵	9542 939 ⁵
052	Flame Rollout Switch 140Deg.F	9543 878 ⁸	9543 878 ⁸	9543 878 ⁸	9543 878 ⁸
053	Sequence Timer 14s22	9543 944 ¹⁰	9543 944 ¹⁰	9543 944 ¹⁰	9543 944 ¹⁰
054	Transformer, 120/24V 40va	9543 945 ¹¹	9543 945 ¹¹	9543 945 ¹¹	9543 945 ¹¹
055	Relay Coil, 24V	9543 943 ¹²	9543 943 ¹²	9543 943 ¹²	9543 943 ¹²
056	7-Pole Terminal Strip	9543 458 ^{n.a.}	9543 458 ^{n.a.}	9543 458 ^{n.a.}	9543 458 ^{n.a.}
057	Flame Rollout Switch 235 Deg. F	9543 729 ⁸	9543 729 ⁸	9543 729 ⁸	9543 729 ⁸
058	Push Nipple, 1-1/2"	9549 506 ³	9549 506 ³	9549 506 ³	9549 506 ³
090	Install./Serv. Instr. Vitogas 050 ECV	5167 450 ^L	5167 450 ^L	5167 450 ^L	5167 450 ^L
091	Parts List Vitogas 050 ECV	5167 453 ^L	5167 453 ^L	5167 453 ^L	5167 453 ^L
092 W	Cleaning Brush	9507 137 ⁷	9507 137 ⁷	9507 137 ⁷	9507 137 ⁷

VITOGAS 050

Vitogas 050	ECV-140	ECV-155	ECV-180	ECV-200
--------------------	----------------	----------------	----------------	----------------

General Info	Price List Section:	2.2
	Parts Catalog Section	07
	Series Name:	ECV (Vito) (11/2000 -)
	Applies to serials nos. beginning with:	7133154...+ 7133155...+ 7133156...+ 7133157...+
	Accurate as of:	07/01/2012

Parts List

Please refer to: Parts List
Pos. Description

Part Numbers / Price Categories

Conversion Kits *5

NG > LP (0-2000FT)	7134 071 ²⁶	7134 072 ²⁶	7134 073 ²⁶	7134 074 ²⁶
LP > NG (0-2000FT)	7134 079 ²⁷	7134 080 ²⁷	7134 081 ²⁷	7134 082 ²⁷
NG (0-2000 > 2000-4500FT)	7134 087 ^D	7134 088 ^D	7134 089 ^D	7134 090 ^D
NG (0-2000 > 4500-7000FT)	7134 095 ^D	7134 096 ^D	7134 097 ^D	7134 098 ^D
LP (0-2000 > 2000-4500FT)	7134 103 ^D	7134 104 ^D	7134 105 ^D	7134 106 ^D
LP (0-2000 > 4500-7000FT)	7134 111 ^D	7134 112 ^D	7134 113 ^D	7134 114 ^D

Notes:

*1 IMPORTANT: If ordering replacement boiler sections, order 4 push nipples (#058) per intermediate section and 2 push nipples per side section.

*2 WARNING: **Only** install orifice sizes as listed on the boiler rating plate. Do **NOT** use different orifices. **NEVER** attempt to convert one boiler model into another without using a Viessmann Conversion Kit.

*4 IMPORTANT: Single high limit aquastats replaced adjustable aquastats in 1997.

*5 WARNING: **Never** attempt conversions not listed above.

"n.a." indicates not applicable.

"W" indicates wearing part (service).

"L" indicates literature (no charge).

"Kit" or "Other" indicates that this is not a Price Category item;

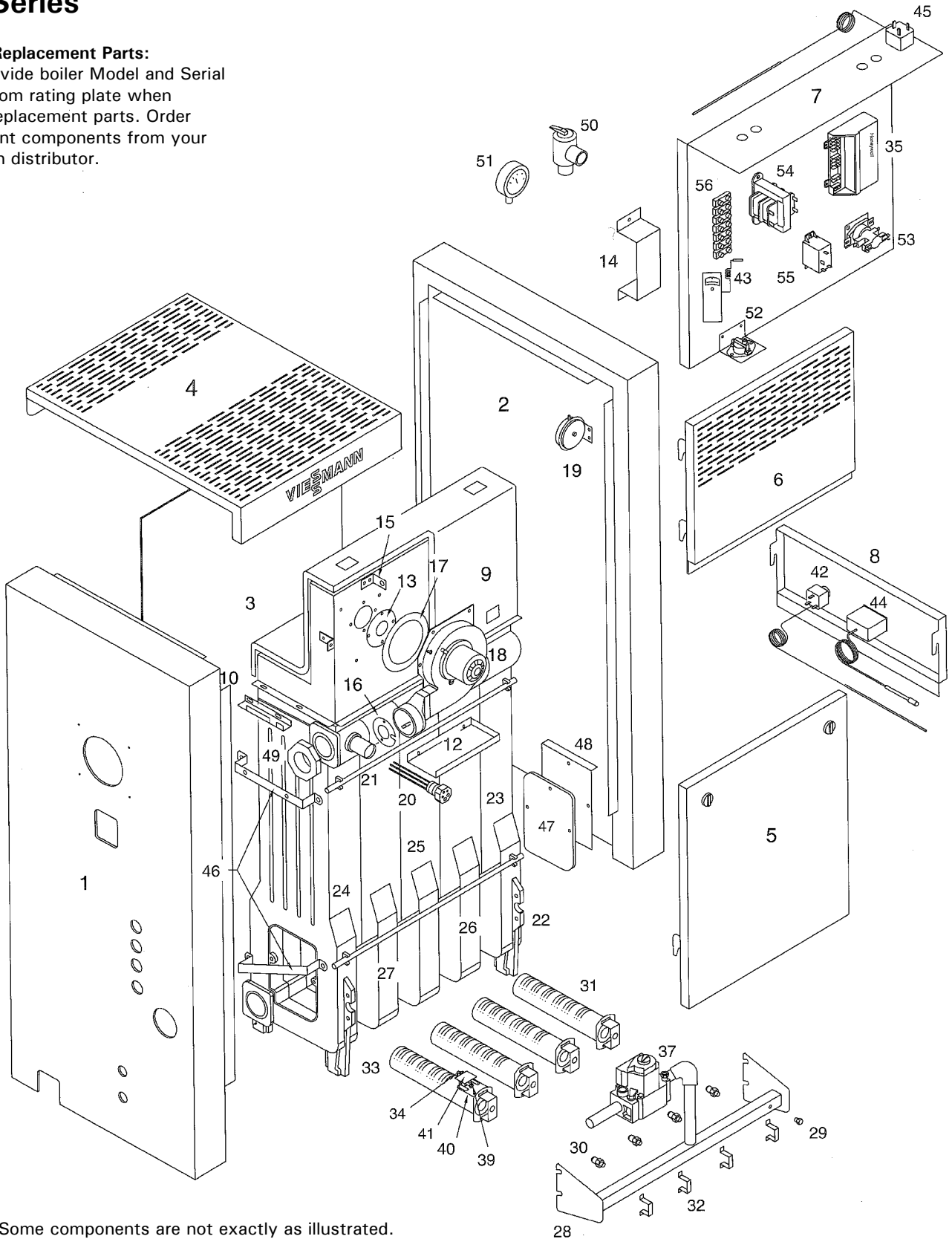
Parts List



Vitogas 050 ECV Series

Ordering Replacement Parts:
Please provide boiler Model and Serial Number from rating plate when ordering replacement parts. Order replacement components from your Viessmann distributor.

Please file in Service Binder



Some components are not exactly as illustrated.

VITOCROSSAL 200

Vitocrossal 200	CM2 186	CM2 246	CM2 311	
General Info	Price List Section:	2.3		
	Parts Catalog Section	08		
	Series Name:	CM2 (6/2012 -)		
	Applies BOILERS beginning with:	7499084...	7499085...	7499086...
	Applies BURNERS beginning with:	7164855...	7164856...	7164857...
	Accurate as of:	01/03/2013		

Parts List

Please refer to: Parts List

Pos. Description Part Numbers / Price Categories

0001	Flue Gas Collector Cover w Gasket	7836 338 ³⁴	7836 338 ³⁴	7836 338 ³⁴	
0002	Condensate Syphon	7824 743 ⁸	7824 743 ⁸	7824 743 ⁸	
0003	Hinge Bracket	7836 337 ¹²	7836 337 ¹²	7836 337 ¹²	
0004	4-Point Sensor Well	7812 522 ¹²	7812 522 ¹²	7812 522 ¹²	
0005	Flue Gas Thermostat	7836 445 ²⁹	7836 445 ²⁹	7836 445 ²⁹	
0006	Flue Gas Adaptor, Ø = 200/236	7836 385 ¹⁸	7836 385 ¹⁸	7836 385 ¹⁸	
0101	Side Panel right rear	7836 874 ²⁵	7836 874 ²⁵	7836 874 ²⁵	
0102	Side Panel left middle	7836 875 ²⁴	7836 875 ²⁴	7836 875 ²⁴	
0103	Side Panel left rear	7836 876 ²⁵	7836 876 ²⁵	7836 876 ²⁵	
0104	Side Panel right middle	7836 877 ²⁴	7836 877 ²⁴	7836 877 ²⁴	
0105	Side Panel front right	7836 878 ²³	7836 878 ²³	7836 878 ²³	
0106	Side Panel front left	7836 879 ²³	7836 879 ²³	7836 879 ²³	
0107	Front Panel Top	7836 880 ²⁰	7836 880 ²⁰	7836 880 ²⁰	
0108	Front Panel	7836 881 ³⁵	7836 881 ³⁵	7836 881 ³⁵	
0109	Nameplate Vitocrossal 200	7824 729 ⁸	7824 729 ⁸	7824 729 ⁸	
0110	Cover Strip	7824 425 ¹²	7824 425 ¹²	7824 425 ¹²	
0111	Top Shield Panel	7836 882 ¹⁸	7836 882 ¹⁸	7836 882 ¹⁸	
0112	Bottom Panel	7836 883 ²²	7836 883 ²²	7836 883 ²²	
0113	Top Panel Right	7836 884 ²³	7836 884 ²³	7836 884 ²³	
0114	Top Panel Left	7836 885 ²⁰	7836 885 ²⁰	7836 885 ²⁰	
0115	Rear Panel Top	7836 886 ²⁰	7836 886 ²⁰	7836 886 ²⁰	
0116	Cover, Edgemolding	7819 438 ⁴	7819 438 ⁴	7819 438 ⁴	
0117	Rear Panel Middle	7836 887 ²¹	7836 887 ²¹	7836 887 ²¹	
0118	Rear Panel Bottom	7836 888 ¹⁹	7836 888 ¹⁹	7836 888 ¹⁹	
0119	Guide Rail (top, right)	7836 889 ²⁰	7836 889 ²⁰	7836 889 ²⁰	
0120	Guide Rail (top, left)	7836 890 ²⁰	7836 890 ²⁰	7836 890 ²⁰	
0121	Guide Rail (bottom, left)	7836 891 ¹⁹	7836 891 ¹⁹	7836 891 ¹⁹	
0122	Guide Rail (bottom, right)	7836 892 ¹⁹	7836 892 ¹⁹	7836 892 ¹⁹	
0123	Insul. Blanket	7836 893 ²⁴	7836 893 ²⁴	7836 893 ²⁴	
0124	Insul. Blanket Front	7836 894 ¹⁶	7836 894 ¹⁶	7836 894 ¹⁶	
0130	Touch-up spray paint, silver	7819 545 ⁹	7819 545 ⁹	7819 545 ⁹	
0131	Touch-up paint stick, silver	7819 546 ⁵	7819 546 ⁵	7819 546 ⁵	
					continued

VITOCROSSAL 200

Vitocrossal 200	CM2 186	CM2 246	CM2 311	
General Info	Price List Section:	2.3		
	Parts Catalog Section	08		
	Series Name:	CM2 (6/2012 -)		
	Applies BOILERS beginning with:	7499084...	7499085...	7499086...
	Applies BURNERS beginning with:	7164855...	7164856...	7164857...
	Accurate as of:	01/03/2013		

Parts List

Please refer to: Parts List
Pos. Description

Part Numbers / Price Categories

Pos.	Description	Part Numbers / Price Categories	Part Numbers / Price Categories	Part Numbers / Price Categories	Part Numbers / Price Categories
0201	Comb. Chamber Door w Refractory	7836 463 ⁴⁹	7836 463 ⁴⁹	7836 463 ⁴⁹	
0202	Comb. Chamber Door Refractory	7836 465 ²⁸	7836 465 ²⁸	7836 465 ²⁸	
0203	Access. Pack (Cylinder Burner)	7825 038 ¹²	7825 038 ¹²	7825 038 ¹²	
0204	Access. Pack (Mounting Parts)	7825 039 ¹⁰	7825 039 ¹⁰	7825 039 ¹⁰	
0205	Cylinder Burner	7836 466 ⁵⁵	7836 467 ⁵⁷	7836 467 ⁵⁷	
0206	Burner Gasket	7836 468 ¹¹	7836 468 ¹¹	7836 468 ¹¹	
0207	Ignition Electrode Block	7810 719 ¹⁵	7810 719 ¹⁵	7810 719 ¹⁵	
0208	Ignition Transformer	7838 311 ¹⁹	7838 311 ¹⁹	7838 311 ¹⁹	
0209	Ignition Cable	7825 044 ¹⁰	7825 044 ¹⁰	7825 044 ¹⁰	
0210	Ionization Electrode VMIII with gasket	7817 324 ¹⁸	7817 324 ¹⁸	7817 324 ¹⁸	
0211	Gasket (Ignition Electrode)	7810 720 ⁵	7810 720 ⁵	7810 720 ⁵	
0212	Wiring Harness (Ionization/Ground)	7838 302 ⁸	7838 302 ⁸	7838 302 ⁸	
0213	Burner Ctrl, VUC310-B10.001	7838 069 ³³	7838 069 ³³	7838 069 ³³	
0214	Programming Unit HI201-B02.001 w LED	7834 183 ³⁵	7834 183 ³⁵	7834 183 ³⁵	
0215	Ignition Cable "54"	7837 685 ⁶	7837 685 ⁶	7837 685 ⁶	
0216	Wiring Harness (Fan)	7838 303 ¹¹	7838 303 ¹¹	7838 303 ¹¹	
0217	Wiring Harness (Gas Valve)	7838 304 ¹³	7838 304 ¹³	7838 304 ¹³	
0218	Pressure Sw (Fan Inlet) w 131 Cable	7838 300 ²⁰	7838 300 ²⁰	7838 300 ²⁰	
0219	2/2 Way Solenoid Valve	7836 469 ²⁷			
0220	Servomotor STA 120 V		7836 470 ³²	7836 470 ³²	
0221	Fan G1G170 120/1/60	7836 471 ⁷¹	7836 471 ⁷¹	7836 471 ⁷¹	
0222	Supression Filter Device AC EMI	7838 305 ²³	7838 305 ²³	7838 305 ²³	
0223	Inlet Damper		7825 053 ²⁶	7825 053 ²⁶	
0224	Linkage M5		7824 663 ¹⁰	7824 663 ¹⁰	
0225	Venturi Mixing Pipe	7825 056 ³³	7824 656 ³⁵	7824 656 ³⁵	
0226	Conv. Kit CM2 NG>LP	7487 844 ²⁰	7487 845 ²⁰	7487 849 ²⁰	
0227	Gas Valve VR4730	7836 472 ⁶¹	7836 473 ⁶¹	7836 473 ⁶¹	
0229	Dampening Orifice D=0.5	t.b.a. ^{###}			
0230	Fan Gasket	7831 266 ⁷	7831 295 ⁷	7831 295 ⁷	
0231	Pressure Sw (Overfire) w 131A Cable	7837 644 ¹⁹	7837 644 ¹⁹	7837 644 ¹⁹	
0232	Coding Plug	7838 592 ¹²	7838 593 ¹²	7838 594 ¹²	
0233	Wiring Harness (Step-Motor)		7837 676 ⁷	7837 676 ⁷	
0234	Wiring Harness (2/2 Solen.valve)	7837 689 ⁸			
0235	Plug Console w Relay Contactor	7838 307 ²⁵	7838 307 ²⁵	7838 307 ²⁵	
0236	Gas Manifold w Shut-off	7836 481 ²⁷	7836 481 ²⁷	7836 481 ²⁷	
0237	Flange 1" NPT	7836 482 ¹²	7836 483 ¹⁵	7836 483 ¹⁵	
0238	Silicone Tubing	7825 442 ⁸	7825 442 ⁸	7825 442 ⁸	
0250	Conv. Kit CM2 LP>NG	7838 720 ¹⁰	7838 720 ¹⁰	7838 720 ¹⁰	
					continued

VITOCROSSAL 200

Vitocrossal 200	CM2 186	CM2 246	CM2 311	
------------------------	----------------	----------------	----------------	--

General Info	Price List Section:	2.3		
	Parts Catalog Section	08		
	Series Name:	CM2 (6/2012 -)		
	Applies BOILERS beginning with:	7499084...	7499085...	7499086...
	Applies BURNERS beginning with:	7164855...	7164856...	7164857...
	Accurate as of:	01/03/2013		

Parts List

Please refer to: Parts List
Pos. Description

Part Numbers / Price Categories

Pos.	Description	Part Numbers / Price Categories	Part Numbers / Price Categories	Part Numbers / Price Categories
0400	Installation Fittings	7507 991 ⁴²	7507 992 ⁴³	7507 992 ⁴³
0401	Pr.Rel Valve, 3/4 x 1" 75PSI	9544 353 ¹⁸	9544 353 ¹⁸	9544 353 ¹⁸
0402	Nipple, 3/4" x 1 1/2"	9543 294 ⁴	9543 294 ⁴	9543 294 ⁴
0403	90° Street Elbow, 3/4"	9543 277 ⁴	9543 277 ⁴	9543 277 ⁴
0404	Hex Bushing, 1 1/4" x 3/4"	9543 282 ⁴	9543 282 ⁴	9543 282 ⁴
0405	Cross, 1 1/4"	9543 373 ⁶	9543 373 ⁶	9543 373 ⁶
0406	Tee, 1"	9543 375 ⁴	9543 375 ⁴	9543 375 ⁴
0407	Nipple, 1 x 2"	9543 297 ³	9543 297 ³	9543 297 ³
0408	Red. Coupling, 1 x 3/4"	9549 864 ⁴	9549 864 ⁴	9549 864 ⁴
0409	Sediment Faucet, 3/4"	9542 942 ⁵	9542 942 ⁵	9542 942 ⁵
0410	Air Vent w Shut-off Base	9542 941 ⁸	9542 941 ⁸	9542 941 ⁸
0411	Hex Bushing, 1 1/4" x 3/8"	9645 007 ⁵	9645 007 ⁵	9645 007 ⁵
0412	Press. Gage, 0-160PSI 3.5"	9544 351 ¹⁹	9544 351 ¹⁹	9544 351 ¹⁹
0413	Hex Bushing, 1/2" x 1/4"	9543 285 ²	9543 285 ²	9543 285 ²
0414	Low Water Cutoff Model 550 w Man. Res	9544 357 ³³	9544 357 ³³	9544 357 ³³
0415	Nipple	9543 291 ³	9543 300 ³	9543 300 ³
0416	Gas Ball Valve	7424 391 ⁷	9544 330 ¹³	9544 330 ¹³
0420	Installation Instructions	5607 705 ^L	5607 705 ^L	5607 705 ^L
0421	Operating Instructions	5608 014 ^L	5608 014 ^L	5608 014 ^L
0422	Service Instructions	5607 706 ^L	5607 706 ^L	5607 706 ^L
0423	Parts List, Vitocrossal 200	5608 015 ^L	5608 015 ^L	5608 015 ^L
0424	Parts List, Cylinder Burner	5608 016 ^L	5608 016 ^L	5608 016 ^L
0425	Parts List, Installation Fittings	5609 831 ^L	5609 831 ^L	5609 831 ^L
0500	Electrical Box	7506 693 ⁵⁴	7506 693 ⁵⁴	7506 693 ⁵⁴
0600	Air Intake Kit	7511 365 ²⁶	7510 812 ²⁷	7510 812 ²⁷

Notes:

"n.a." indicates not applicable.

"W" indicates wearing part (service).

"L" indicates literature (no charge).

"Kit" or "Other" indicates that this is not a Price Category item; contact Inside Sales for pricing.

VITOCROSSAL 200

CM2 Series

Model No.	Serial No.
CM2 186 Boiler	7499084□□□□□□□□
CM2 246 Boiler	7499085□□□□□□□□
CM2 311 Boiler	7499086□□□□□□□□

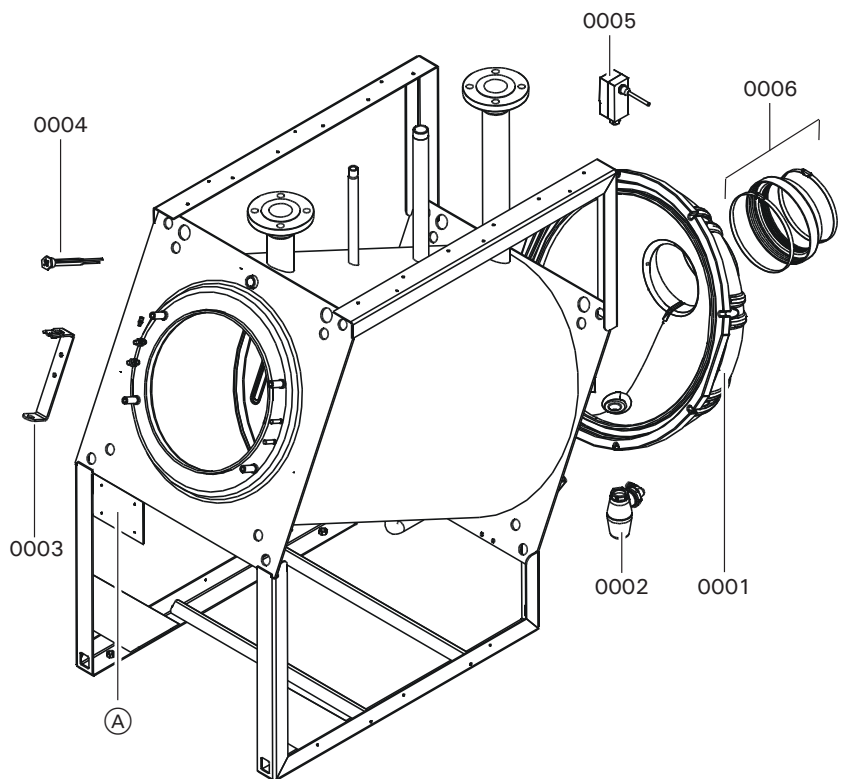
Ordering Parts:

Please provide Model and Serial Number from ASME boiler rating plate (A) when ordering replacement parts. Order replacement components from your Viessmann distributor.

Parts

- 0001 Flue gas collector cover with gasket
- 0002 Condensate siphon
- 0003 Hinge bracket
- 0004 Sensor well, 4-point
- 0005 Flue gas thermostat
- 0006 Flue gas adaptor with clamps
ø = 200/236

(A) ASME boiler rating plate



Parts List



Cylinder Burner VITOCROSSAL 200 CM2 Series

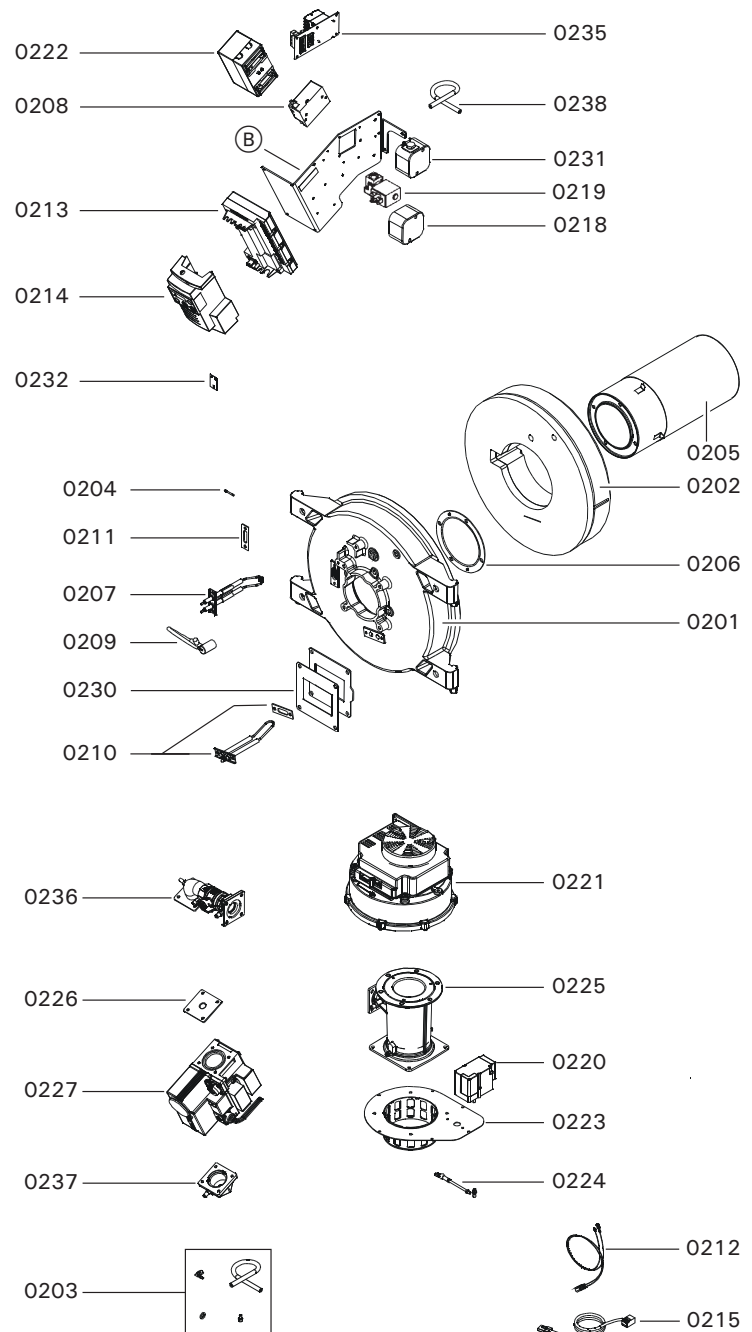
Model No.	Serial No.
CM2 186 Burner	7164855□□□□□□□□
CM2 246 Burner	7164856□□□□□□□□
CM2 311 Burner	7164857□□□□□□□□

Ordering Parts:

Please provide Model and Serial Number from burner rating plate (B) when ordering replacement parts. Order replacement components from your Viessmann distributor.

Parts

- 0201 Combustion chamber door (with 202 refractory)
- 0202 Combustion chamber door refractory
- 0203 Accessory pack, small parts for burner
- 0204 Accessory pack, small parts for mounting
- 0205 Cylinder burner
- 0206 Burner gasket
- 0207 Ignition electrode block
- 0208 Ignition transformer
- 0209 Ignition cable
- 0210 Ionization electrode with gasket
- 0211 Gasket for ignition electrode
- 0212 Wiring harness for ionization/ground
- 0213 Burner control, VUC310-B10.001
- 0214 Programming unit, HI201-B02.001 with LED display
- 0215 Ignition cable "54"
- 0216 Wiring harness for fan
- 0217 Wiring harness for gas valve
- 0218 Pressure switch for fan inlet with "131" harness
- 0219 2/2-Way solenoid valve (for CM2 186 only)
- 0220 Servomotor, STA 120V (for CM2 246 / 311 only)
- 0221 Fan, G1G170, 120/1/60
- 0222 AC-EMI Suppression filter device
- 0223 Inlet damper (for CM2 246 / 311 only)
- 0224 Linkage M5 (for CM2 246 / 311 only)
- 0225 Venturi mixing pipe
- 0226 Orifice, LP (sold as a conversion kit only)
- 0227 Gas valve, VR4730
- 0230 Fan gasket
- 0231 Pressure switch for overfire with "131A" harness
- 0232 Coding plug
- 0233 Wiring harness for step-motor (for CM2 246 / 311 only)
- 0234 Wiring harness "38" for 2/2-way solenoid valve (for CM2 186 only)
- 0235 Plug console with relay contactor
- 0236 Gas manifold with shut-off
- 0237 Flange for gas valve
- 0238 Silicone tubing



- Other Parts (not illustrated)**
- 0229 Dampening orifice D=0.5 (for CM2 186 only)
 - 0250 Conversion kit for NG *1
 - 0415 Nipple *2
 - 0416 Gas ball valve *2

*1 Burner ships configured for NG with an LP conversion kit. Order NG conversion kit to convert from LP back to NG at future date.
*2 Shipped with installation fittings.

5608 016 11/2012

Parts List



Installation Fittings

7507 991, 7507 992

VITOCROSSAL 200 CM2 Series

Model No.	Serial No.
CM2 186 Boiler	7499084□□□□□□□□
CM2 246 Boiler	7499085□□□□□□□□
CM2 311 Boiler	7499086□□□□□□□□

Ordering Parts:

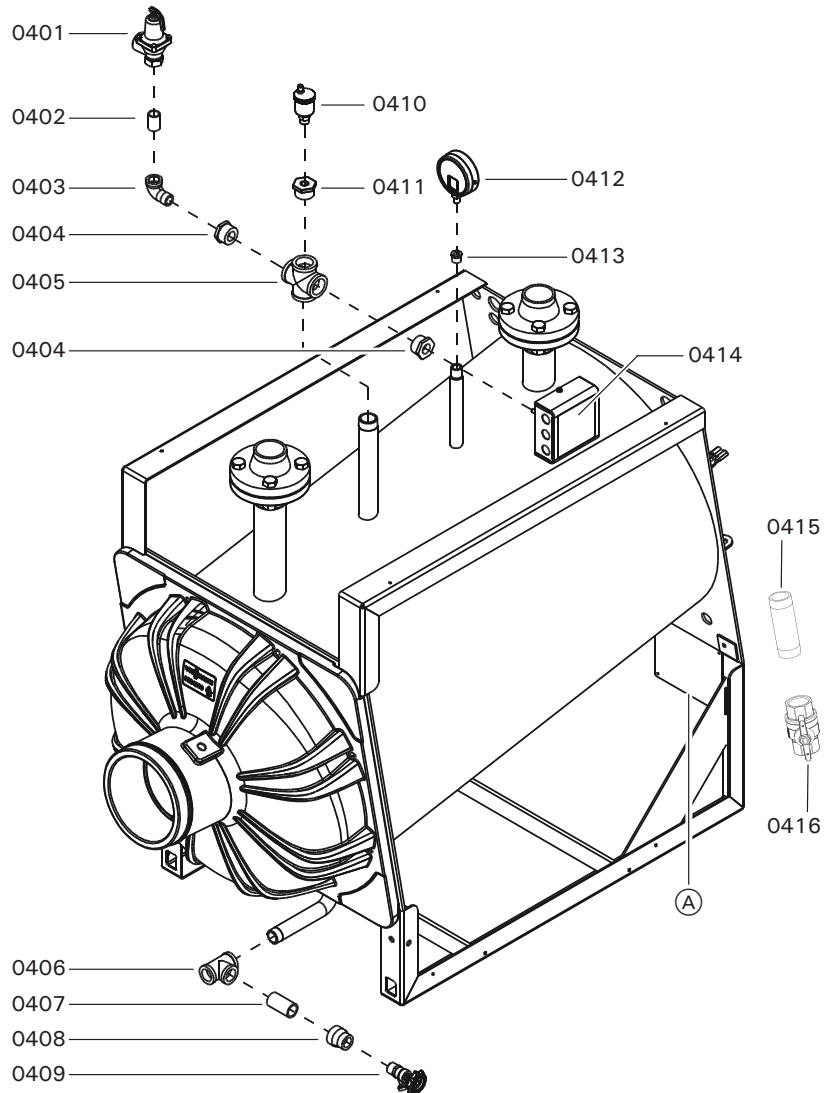
Please provide Model and Serial Number from ASME boiler rating plate (A) when ordering replacement parts. Order replacement components from your Viessmann distributor.

Parts

- 0401 Pressure relief valve, 75 psig
- 0402 Nipple, 3/4" x 1 1/2"
- 0403 90° Street elbow, 3/4"
- 0404 Hex bushing, 1 1/4" x 3/4"
- 0405 Cross, 1 1/4"
- 0406 Tee, 1"
- 0407 Nipple, 1" x 2"
- 0408 Reduction coupling, 1" x 3/4"
- 0409 Sediment faucet, 3/4"
- 0410 Air vent with shut-off base
- 0411 Hex bushing, 1 1/4" x 3/8"
- 0412 Pressure gage
- 0413 Hex bushing, 1/2" x 1/4"
- 0414 Low water cutoff
- 0415 Nipple
- 0416 Gas ball valve

Other Parts (not illustrated)

- 0420 Installation Instructions
- 0421 Operating Instructions
- 0422 Service Instructions
- 0423 Parts List, Vitocrossal 200 Boiler
- 0424 Parts List, Cylinder Burner
- 0425 Parts List, Installation Fittings



VITOGAS 050

Vitogas 050	RS-8	RS-8	RS-11	RS-11	RS-14	RS-14
General Info	Price List / Product Cat. Section: 2.3					
	Series Name: RS (VitoTEC) (9/2000 -)					
	Accurate as of: 07/01/2012					
Shipping Overview	Natural Gas, 0 - 2000 ft					
Level 0 Price List	Z001200	Z001221	Z001201	Z001222	Z001202	Z001223
Level 1 Jkt	7133 700	7133 837	7133 701	7133 838	7133 702	7133 839
Shell	7133 475	7133 475	7133 476	7133 476	7133 477	7133 477
	Natural Gas, 2000 - 4500 ft					
Level 0 Price List	Z001203	Z001224	Z001204	Z001225	Z001205	Z001226
Level 1 Jkt	7133 703	7133 840	7133 704	7133 841	7133 705	7133 842
Shell	7133 475	7133 475	7133 476	7133 476	7133 477	7133 477
	Natural Gas, 4500 - 7000 ft					
Level 0 Price List	Z001206	Z001227	Z001207	Z001228	Z001208	Z001229
Level 1 Jkt	7133 706	7133 843	7133 707	7133 844	7133 708	7133 845
Shell	7133 475	7133 475	7133 476	7133 476	7133 477	7133 477
	Natural Gas with Flame Safeguard, 0 - 2000 ft					
Level 0 Price List	Z001209	Z001210	Z001211			
Level 1 Jkt	7133 709	7133 710	7133 711			
Shell	7133 475	7133 476	7133 477			
	Natural Gas with Flame Safeguard, 2000 - 4500 ft					
Level 0 Price List	Z001212	Z001213	Z001214			
Level 1 Jkt	7133 712	7133 713	7133 714			
Shell	7133 475	7133 476	7133 477			
	Natural Gas with Flame Safeguard, 4500 - 7000 ft					
Level 0 Price List	Z001215	Z001216	Z001217			
Level 1 Jkt	7133 715	7133 716	7133 717			
Shell	7133 475	7133 476	7133 477			
	Propane Gas with Flame Safeguard, 0 - 2000 ft					
Level 0 Price List	Z001218	Z001219	Z001220			
Level 1 Jkt	7133 718	7133 719	7133 720			
Shell	7133 475	7133 476	7133 477			

VITOGAS 050

Vitogas 050	RS-8	RS-8 (2-Stage)	RS-11	RS-11 (2-Stage)
General Info	Price List Section:	2.3		
	Parts Catalog Section	08		
	Series Name:	RS (Vito) (9/2000 -)		
	Applies to serials nos. beginning with:	7133700...+ 7133837...+ 7133701...+ 7133838...+		
	Accurate as of:	07/01/2012		

Parts List

Please refer to: Parts List
Pos. Description

Part Numbers / Price Categories

Pos.	Description	9543 951 ⁴⁹	9543 951 ⁴⁹	9543 951 ⁴⁹	9543 951 ⁴⁹
001	Left End Section	9543 951 ⁴⁹	9543 951 ⁴⁹	9543 951 ⁴⁹	9543 951 ⁴⁹
002	Mid Section w 3/4" Drilling	9543 959 ⁴²	9543 959 ⁴²	9543 959 ⁴²	9543 959 ⁴²
003	Mid Section	9543 958 ⁴¹	9543 958 ⁴¹	9543 958 ⁴¹	9543 958 ⁴¹
004	Right End Section	9543 952 ⁴⁸	9543 952 ⁴⁸	9543 952 ⁴⁸	9543 952 ⁴⁸
005	Push Nipple, 2-1/2"	9549 646 ⁴	9549 646 ⁴	9549 646 ⁴	9549 646 ⁴
006	Tie Rod	9549 647 ⁶	9549 647 ⁶	9549 648 ⁸	9549 648 ⁸
007	Upper Flange Cover	9560 439 ¹⁰	9560 439 ¹⁰	9560 439 ¹⁰	9560 439 ¹⁰
008	Probe Hole Cover	9560 546 ²	9560 546 ²	9560 546 ²	9560 546 ²
009	Stud, M8x34	9560 547 ¹	9560 547 ¹	9560 547 ¹	9560 547 ¹
010	Comb. Chamber Door Insul.	9560 548 ⁶	9560 548 ⁶	9560 548 ⁶	9560 548 ⁶
011	Comb. Chamber Door	9560 549 ¹¹	9560 549 ¹¹	9560 549 ¹¹	9560 549 ¹¹
012	Stud, M5x15 Zn	9560 550 ¹	9560 550 ¹	9560 550 ¹	9560 550 ¹
013	Stud, M6x17 Zn	9560 551 ²	9560 551 ²	9560 551 ²	9560 551 ²
014	Blank Plate	9560 440 ⁶	9560 440 ⁶	9560 440 ⁶	9560 440 ⁶
015	Plate f Pilot Burner	9560 552 ⁹	9560 552 ⁹	9560 552 ⁹	9560 552 ⁹
016	Rear Lower Panel, R.H. Side	9560 441 ¹⁸	9560 441 ¹⁸	9560 441 ¹⁸	9560 441 ¹⁸
017	Window	9560 553 ³	9560 553 ³	9560 553 ³	9560 553 ³
018	Spring Tdm	9560 554 ¹	9560 554 ¹	9560 554 ¹	9560 554 ¹
020	Stud, M12x50 - Stamped B7	9560 556 ⁵	9560 556 ⁵	9560 556 ⁵	9560 556 ⁵
021	Gasket, 65 x 95 x 2mm	9549 847 ²	9549 847 ²	9549 847 ²	9549 847 ²
022	Flange DN50 PN6 3/4" NPT	9560 425 ¹³	9560 425 ¹³	9560 425 ¹³	9560 425 ¹³
023	Flange DN50 PN6 1" NPT	9560 426 ¹³	9560 426 ¹³	9560 426 ¹³	9560 426 ¹³
024	Rear Lower Panel, L.H. Side	9560 442 ¹⁸	9560 442 ¹⁸	9560 442 ¹⁸	9560 442 ¹⁸
025	Baffle, RS	9549 651 ⁹	9549 651 ⁹	9549 651 ⁹	9549 651 ⁹
026	Spring Clip, Mo/A8	9560 558 ¹	9560 558 ¹	9560 558 ¹	9560 558 ¹
027	Comb. Chamber Fixing Plt	9560 559 ²	9560 559 ²	9560 559 ²	9560 559 ²
028	Stud, M12x60	9560 560 ⁵	9560 560 ⁵	9560 560 ⁵	9560 560 ⁵
029	Water Distributor	9560 561 ²⁴	9560 561 ²⁴	9560 582 ²⁷	9560 582 ²⁷
030	Flange 2" NPT	9549 923 ⁹	9549 923 ⁹	9549 923 ⁹	9549 923 ⁹
031	Plug 3/4" Mfig. 290	9560 562 ³	9560 562 ³	9560 562 ³	9560 562 ³
032	Fastener	9560 563 ¹	9560 563 ¹	9560 563 ¹	9560 563 ¹
034	Draft Hood Baffle	9560 565 ^D	9560 565 ^D	9560 565 ^D	9560 565 ^D
035	Packing Seal, 15x750mm	9560 566 ⁵	9560 566 ⁵	9560 567 ⁵	9560 567 ⁵
036	Pin, M5 ZnCr	9560 569 ¹	9560 569 ¹	9560 569 ¹	9560 569 ¹
037	Smoke Chamber Cover	9560 570 ⁴³	9560 570 ⁴³	9560 571 ⁴³	9560 571 ⁴³
038	Smoke Chamber Left Side	9560 573 ²⁰	9560 573 ²⁰	9560 573 ²⁰	9560 573 ²⁰
039	Smoke Chamber Right Side	9560 574 ²⁰	9560 574 ²⁰	9560 574 ²⁰	9560 574 ²⁰
040	Burner Manifold	9560 575 ⁴⁰	9560 575 ⁴⁰	9560 576 ⁴⁵	9560 576 ⁴⁵
041	Press. Test Nipple, 1/8"	9560 578 ^D	9560 578 ^D	9560 578 ^D	9560 578 ^D
042	Aluminum Washer, 14mm	9560 579 ¹	9560 579 ¹	9560 579 ¹	9560 579 ¹

VITOGAS 050

Vitogas 050	RS-8	RS-8 (2-Stage)	RS-11	RS-11 (2-Stage)
General Info	Price List Section: 2.3			
	Parts Catalog Section: 08			
	Series Name: RS (Vito) (9/2000 -)			
	Applies to serials nos. beginning with: 7133700...+ 7133837...+ 7133701...+ 7133838...+			
	Accurate as of: 07/01/2012			

Parts List

Please refer to: Parts List
Pos. Description

Part Numbers / Price Categories

Pos.	Description	9544 255 ^D	9544 255 ^D	9544 255 ^D	9544 255 ^D
043 a ^{*1}	Orifice, Ng, 0-2000Ft	9544 255 ^D	9544 255 ^D	9544 255 ^D	9544 255 ^D
043 b ^{*1}	Orifice, Ng, 2000-4500Ft	9544 251 ^D	9544 251 ^D	9544 251 ^D	9544 251 ^D
043 c ^{*1}	Orifice, Ng, 4500-7000Ft	9544 251 ^D	9544 251 ^D	9544 251 ^D	9544 251 ^D
043 d ^{*1}	Orifice, Lp, 0-2000Ft	9544 248 ^D	9544 248 ^D	9544 248 ^D	9544 248 ^D
* 1 W	Pilot Orifice, Ng, 0-2000Ft	9543 768 ⁹	9543 768 ⁹	9543 768 ⁹	9543 768 ⁹
* 1 W	Pilot Orifice, Ng, 2000-4500Ft	9543 768 ⁹	9543 768 ⁹	9543 768 ⁹	9543 768 ⁹
* 1 W	Pilot Orifice, Ng, 4500-7000Ft	9543 768 ⁹	9543 768 ⁹	9543 768 ⁹	9543 768 ⁹
* 1 W ^{*5}	Pilot Orifice, Lp, 0-2000Ft	9544 244 ⁹	9544 244 ⁹	9544 244 ⁹	9544 244 ⁹
044	Burner Tube, 109/10 561mm	9542 803 ¹⁴	9542 803 ¹⁴	9542 803 ¹⁴	9542 803 ¹⁴
045	Smoke Chamber Door	9560 583 ¹⁹	9560 583 ¹⁹	9560 584 ²⁰	9560 584 ²⁰
052	Frame, Front and Rear	9560 586 ¹⁷	9560 586 ¹⁷	9560 587 ¹⁸	9560 587 ¹⁸
053	Frame, Right	9560 580 ¹⁵	9560 580 ¹⁵	9560 580 ¹⁵	9560 580 ¹⁵
054	Frame, Left	9560 581 ¹⁵	9560 581 ¹⁵	9560 581 ¹⁵	9560 581 ¹⁵
055	Pin, M5 Zn	9560 589 ¹	9560 589 ¹	9560 589 ¹	9560 589 ¹
057	Upper Rear Panel, L.H. Side	9560 443 ²⁷	9560 443 ²⁷	9560 443 ²⁷	9560 443 ²⁷
058	Rear Upper Panel, R.H. Side	9560 444 ²⁷	9560 444 ²⁷	9560 444 ²⁷	9560 444 ²⁷
059	Fastener U/8/24	9560 590 ¹	9560 590 ¹	9560 590 ¹	9560 590 ¹
060	Lower Inner Panel	9560 445 ²⁹	9560 445 ²⁹	9560 446 ³²	9560 446 ³²
062	Upper Inner Panel	9560 448 ²⁵	9560 448 ²⁵	9560 449 ²⁹	9560 449 ²⁹
063	Rear Panel	9560 451 ³⁰	9560 451 ³⁰	9560 452 ³³	9560 452 ³³
065	Side Panel, Front w Opening	9560 454 ²³	9560 454 ²³	9560 454 ²³	9560 454 ²³
066	Front Lower Panel	9560 458 ¹⁹	9560 458 ¹⁹	9560 459 ²¹	9560 459 ²¹
067	Central Front Panel	9560 462 ³²	9560 462 ³²	9560 463 ³⁴	9560 463 ³⁴
068	Top Front Panel	9560 466 ²⁴	9560 466 ²⁴	9560 467 ²⁵	9560 467 ²⁵
069	Top Panel, Front	9560 469 ²²	9560 469 ²²	9560 470 ²⁵	9560 470 ²⁵
070	Top Panel, Rear	9560 473 ³⁰	9560 473 ³⁰	9560 474 ²⁹	9560 474 ²⁹
071	Smoke Chamber	9549 540 ⁴⁷	9549 540 ⁴⁷	9549 541 ⁵⁵	9549 541 ⁵⁵
072	Boiler Shell	7133 475 ^{n.a.}	7133 475 ^{n.a.}	7133 476 ^{n.a.}	7133 476 ^{n.a.}
080	Ignition Cable (2-Stage)	n.a. ^{n.a.}	7133 280 ¹⁷	n.a. ^{n.a.}	7133 280 ¹⁷
081	Control Cable w #41 Plug	7823 562 ¹⁰	7823 562 ¹⁰	7823 562 ¹⁰	7823 562 ¹⁰
082	Complete Pilot Burner Harness	7133 669 ¹²	7133 669 ¹²	7133 669 ¹²	7133 669 ¹²
083	Complete Spark Plug Harness	7133 668 ¹³	7133 668 ¹³	7133 668 ¹³	7133 668 ¹³
084	Ignition Module	7134 952 ²⁴	7134 952 ²⁴	7134 952 ²⁴	7134 952 ²⁴
085 ^{*2}	Flame Safeguard	7374 833 ⁵⁸	7374 833 ⁵⁸	7374 833 ⁵⁸	7374 833 ⁵⁸
086 ^{*2}	Ext. Module, Two-Stage Burner	n.a. ^{n.a.}	7404 960 ¹⁶	n.a. ^{n.a.}	7404 960 ¹⁶
087	Transformer, 120 / 25v, 40VA	9544 134 ¹¹	9544 134 ¹¹	9544 134 ¹¹	9544 134 ¹¹
088 ^{*2}	Ignition Transformer	9571 687 ²⁰	n.a. ^{n.a.}	9571 687 ²⁰	n.a. ^{n.a.}
089	Ctrl Console Cover	9543 746 ¹⁶	9543 746 ¹⁶	9543 746 ¹⁶	9543 746 ¹⁶
					continued
091	Pr.Rel Valve, 1 x 1" 50PSI	9549 270 ²³	9549 270 ²³	9549 270 ²³	9549 270 ²³

VITOGAS 050

Vitogas 050	RS-8	RS-8 (2-Stage)	RS-11	RS-11 (2-Stage)
General Info	Price List Section: 2.3			
	Parts Catalog Section: 08			
	Series Name: RS (Vito) (9/2000 -)			
	Applies to serials nos. beginning with: 7133700...+ 7133837...+ 7133701...+ 7133838...+			
	Accurate as of: 07/01/2012			

Parts List

Please refer to: Parts List

Pos. Description

Part Numbers / Price Categories

092 a *3	Gas Valve & Reg Ng	9544 323 ⁴²	7134 199 ⁴²	9544 283 ⁴⁵	7134 200 ⁴⁷
092 b	Gas Valve & Reg Lp	9544 379 ⁴²	n.a. ^{n.a.}	9544 379 ⁴²	n.a. ^{n.a.}
093 a	Gas Valve (Redundant) Ng	9544 324 ³⁷	9544 324 ³⁷	9544 325 ⁴¹	9544 325 ⁴¹
093 b	Gas Valve (Redundant) Lp	9544 324 ³⁷	n.a. ^{n.a.}	9544 324 ³⁷	n.a. ^{n.a.}
094 a	Gas Train Ng, No Fl.Safeg	7133 767 ⁶⁴	7134 186 ⁶⁶	7133 768 ⁷²	7134 187 ⁷⁴
094 b	Gas Train Ng, With Fl.Safeg	7134 186 ⁶⁶	n.a. ^{n.a.}	7134 187 ⁷⁴	n.a. ^{n.a.}
094 c	Gas Train Lp, With Fl.Safeg	7133 770 ⁶⁶	n.a. ^{n.a.}	7133 771 ⁶⁶	n.a. ^{n.a.}
095	Pilot Press. Regulator	9544 326 ¹⁰	9544 326 ¹⁰	9544 326 ¹⁰	9544 326 ¹⁰
096 a	Pilot Valve, 1/8", 24V	9544 327 ²³	9544 327 ²³	9544 327 ²³	9544 327 ²³
096 b *2	Pilot Valve, 120V	9544 320 ²⁴	n.a. ^{n.a.}	9544 320 ²⁴	n.a. ^{n.a.}
100	Install./Serv. Instr. Vitogas 050 RS	5167 456 ^L	5167 456 ^L	5167 456 ^L	5167 456 ^L
101	Checklist RS	5167 366 ^L	5167 366 ^L	5167 366 ^L	5167 366 ^L
102	Install. Instr. Supp. RS	5265 428 ^L	5265 428 ^L	5265 428 ^L	5265 428 ^L
103	Coding Plug C6	7450 687 ⁷	7450 687 ⁷	7450 687 ⁷	7450 687 ⁷
104	Nameplate SIL Viessmann Decal TT03379	5167 837 ^L	5167 837 ^L	5167 837 ^L	5167 837 ^L
105	Nameplate SIL VITOGAS50 Decal TT03380	5167 838 ^L	5167 838 ^L	5167 838 ^L	5167 838 ^L
106	Cleaning Brush	9507 137 ⁷	9507 137 ⁷	9507 137 ⁷	9507 137 ⁷
107 W *5	Pilot Assly	9544 311 ³²	9544 311 ³²	9544 311 ³²	9544 311 ³²
108 W	Ionization Electrode	9544 376 ²⁰	9544 376 ²⁰	9544 376 ²⁰	9544 376 ²⁰
109 W	Ignition Electrode	9544 377 ²⁰	9544 377 ²⁰	9544 377 ²⁰	9544 377 ²⁰

Conversion Kits

167 *4	Conversion Kit, Lp > Ng (0-2000 Ft)	7134 127 ⁶⁶	n.a. ^{n.a.}	7134 128 ⁷⁵	n.a. ^{n.a.}
--------	-------------------------------------	------------------------	----------------------	------------------------	----------------------

Notes:

*1 WARNING: **Only** install orifice sizes as listed on the boiler rating plate. Do **NOT** use different orifices.

*2 IMPORTANT: For RS Series boilers factory equipped with RA890 Flame Safeguard only.

*3 IMPORTANT: Gas valves listed in the "2-Stage" column are **calibrated** at the Viessmann factory. **Never** install an uncalibrated valve direct from Honeywell.

*4 WARNING: **Never** attempt conversions not listed above.

*5 IMPORTANT: **For LP applications**, order Pilot Orifice O43d; Pilot Assly 107 comes with NG pilot orifice only.

"n.a." indicates not applicable.

"W" indicates wearing part (service).

"L" indicates literature (no charge).

"Kit" or "Other" indicates that this is not a Price Category item; contact Inside Sales for pricing.

VITOGAS 050

Vitogas 050	RS-14	RS-14 (2-Stage)	
General Info	Price List Section:	2.3	
	Parts Catalog Section	08	
	Series Name:	RS (Vito)	(9/2000 -)
	Applies to serials nos. beginning with:	7133702... + 7133839... +	
	Accurate as of:	07/01/2012	

Parts List

Please refer to: Parts List

Pos. Description Part Numbers / Price Categories

001	Left End Section	9543 951 ⁴⁹	9543 951 ⁴⁹		
002	Mid Section w 3/4" Drilling	9543 959 ⁴²	9543 959 ⁴²		
003	Mid Section	9543 958 ⁴¹	9543 958 ⁴¹		
004	Right End Section	9543 952 ⁴⁸	9543 952 ⁴⁸		
005	Push Nipple, 2-1/2"	9549 646 ⁴	9549 646 ⁴		
006	Tie Rod	9549 649 ⁶	9549 649 ⁶		
007	Upper Flange Cover	9560 439 ¹⁰	9560 439 ¹⁰		
008	Probe Hole Cover	9560 546 ²	9560 546 ²		
009	Stud, M8x34	9560 547 ¹	9560 547 ¹		
010	Comb. Chamber Door Insul.	9560 548 ⁶	9560 548 ⁶		
011	Comb. Chamber Door	9560 549 ¹¹	9560 549 ¹¹		
012	Stud, M5x15 Zn	9560 550 ¹	9560 550 ¹		
013	Stud, M6x17 Zn	9560 551 ²	9560 551 ²		
014	Blank Plate	9560 440 ⁶	9560 440 ⁶		
015	Plate f Pilot Burner	9560 552 ⁹	9560 552 ⁹		
016	Rear Lower Panel, R.H. Side	9560 441 ¹⁸	9560 441 ¹⁸		
017	Window	9560 553 ³	9560 553 ³		
018	Spring Tdm	9560 554 ¹	9560 554 ¹		
020	Stud, M12x50 - Stamped B7	9560 556 ⁵	9560 556 ⁵		
021	Gasket, 65 x 95 x 2mm	9549 847 ²	9549 847 ²		
022	Flange DN50 PN6 3/4" NPT	9560 425 ¹³	9560 425 ¹³		
023	Flange DN50 PN6 1" NPT	9560 426 ¹³	9560 426 ¹³		
024	Rear Lower Panel, L.H. Side	9560 442 ¹⁸	9560 442 ¹⁸		
025	Baffle, RS	9549 651 ⁹	9549 651 ⁹		
026	Spring Clip, Mo/A8	9560 558 ¹	9560 558 ¹		
027	Comb. Chamber Fixing Plt	9560 559 ²	9560 559 ²		
028	Stud, M12x60	9560 560 ⁵	9560 560 ⁵		
029	Water Distributor	9560 582 ²⁷	9560 582 ²⁷		
030	Flange 2" NPT	9549 923 ⁹	9549 923 ⁹		
031	Plug 3/4" Mfig. 290	9560 562 ³	9560 562 ³		
032	Fastener	9560 563 ¹	9560 563 ¹		
034	Draft Hood Baffle	9560 565 ^D	9560 565 ^D		
035	Packing Seal, 15x750mm	9560 568 ⁵	9560 568 ⁵		
036	Pin, M5 ZnCr	9560 569 ¹	9560 569 ¹		
037	Smoke Chamber Cover	9560 572 ⁴³	9560 572 ⁴³		
038	Smoke Chamber Left Side	9560 573 ²⁰	9560 573 ²⁰		
039	Smoke Chamber Right Side	9560 574 ²⁰	9560 574 ²⁰		
040	Burner Manifold	9560 577 ⁴⁹	9560 577 ⁴⁹		
041	Press. Test Nipple, 1/8"	9560 578 ^D	9560 578 ^D		
042	Aluminum Washer, 14mm	9560 579 ¹	9560 579 ¹		

VITOGAS 050

Vitogas 050	RS-14	RS-14 (2-Stage)	
General Info	Price List Section:	2.3	
	Parts Catalog Section	08	
	Series Name:	RS (Vito)	(9/2000 -)
	Applies to serials nos. beginning with:	7133702... + 7133839... +	
	Accurate as of:	07/01/2012	

Parts List

Please refer to: Parts List

Pos. Description

Part Numbers / Price Categories

043 a *1	Orifice, Ng, 0-2000Ft	9544 255 ^D	9544 255 ^D		
043 b *1	Orifice, Ng, 2000-4500Ft	9544 251 ^D	9544 251 ^D		
043 c *1	Orifice, Ng, 4500-7000Ft	9544 251 ^D	9544 251 ^D		
043 d *1	Orifice, Lp, 0-2000Ft	9544 248 ^D	9544 248 ^D		
* 1 W	Pilot Orifice, Ng, 0-2000Ft	9543 768 ⁹	9543 768 ⁹		
* 1 W	Pilot Orifice, Ng, 2000-4500Ft	9543 768 ⁹	9543 768 ⁹		
* 1 W	Pilot Orifice, Ng, 4500-7000Ft	9543 768 ⁹	9543 768 ⁹		
* 1 W *5	Pilot Orifice, Lp, 0-2000Ft	9544 244 ⁹	9544 244 ⁹		
044	Burner Tube, 109/10 561mm	9542 803 ¹⁴	9542 803 ¹⁴		
045	Smoke Chamber Door	9560 585 ²⁰	9560 585 ²⁰		
052	Frame, Front and Rear	9560 588 ¹⁸	9560 588 ¹⁸		
053	Frame, Right	9560 580 ¹⁵	9560 580 ¹⁵		
054	Frame, Left	9560 581 ¹⁵	9560 581 ¹⁵		
055	Pin, M5 Zn	9560 589 ¹	9560 589 ¹		
057	Upper Rear Panel, L.H. Side	9560 443 ²⁷	9560 443 ²⁷		
058	Rear Upper Panel, R.H. Side	9560 444 ²⁷	9560 444 ²⁷		
059	Fastener U/8/24	9560 590 ¹	9560 590 ¹		
060	Lower Inner Panel	9560 447 ³⁶	9560 447 ³⁶		
062	Upper Inner Panel	9560 450 ³¹	9560 450 ³¹		
063	Rear Panel	9560 453 ³⁷	9560 453 ³⁷		
065	Side Panel, Front w Opening	9560 454 ²³	9560 454 ²³		
066	Front Lower Panel	9560 460 ²³	9560 460 ²³		
067	Central Front Panel	9560 464 ^D	9560 464 ^D		
068	Top Front Panel	9560 468 ³⁰	9560 468 ³⁰		
069	Top Panel, Front	9560 471 ²⁸	9560 471 ²⁸		
070	Top Panel, Rear	9560 475 ³⁵	9560 475 ³⁵		
071	Smoke Chamber	9549 542 ⁶⁶	9549 542 ⁶⁶		
072	Boiler Shell	7133 477 ^{n.a.}	7133 477 ^{n.a.}		
080	Ignition Cable (2-Stage)	n.a. ^{n.a.}	7133 280 ¹⁷		
081	Control Cable w #41 Plug	7823 562 ¹⁰	7823 562 ¹⁰		
082	Complete Pilot Burner Harness	7133 669 ¹²	7133 669 ¹²		
083	Complete Spark Plug Harness	7133 668 ¹³	7133 668 ¹³		
084	Ignition Module	7134 952 ²⁴	7134 952 ²⁴		
085 *2	Flame Safeguard	7374 833 ⁵⁸	7374 833 ⁵⁸		
086 *2	Ext. Module, Two-Stage Burner	n.a. ^{n.a.}	7404 960 ¹⁶		
087	Transformer, 120 / 25v, 40VA	9544 134 ¹¹	9544 134 ¹¹		
088 *2	Ignition Transformer	9571 687 ²⁰	n.a. ^{n.a.}		
089	Ctrl Console Cover	9543 746 ¹⁶	9543 746 ¹⁶		
					continued
091	Pr.Rel Valve, 1 x 1" 50PSI	9549 270 ²³	9549 270 ²³		

VITOGAS 050

Vitogas 050	RS-14	RS-14 (2-Stage)	
General Info	Price List Section:	2.3	
	Parts Catalog Section	08	
	Series Name:	RS (Vito)	(9/2000 -)
	Applies to serials nos. beginning with:	7133702... + 7133839... +	
	Accurate as of:	07/01/2012	

Parts List

Please refer to: Parts List

Pos. Description

Part Numbers / Price Categories

092 a ^{*3}	Gas Valve & Reg	Ng	9544 283 ⁴⁵	7134 200 ⁴⁷		
092 b	Gas Valve & Reg	Lp	9544 379 ⁴²	n.a. ^{n.a.}		
093 a	Gas Valve (Redundant)	Ng	9544 325 ⁴¹	9544 325 ⁴¹		
093 b	Gas Valve (Redundant)	Lp	9544 324 ³⁷	n.a. ^{n.a.}		
094 a	Gas Train	Ng, No Fl.Safeg	7133 769 ⁷²	7134 188 ⁷⁴		
094 b	Gas Train	Ng, With Fl.Safeg	7134 188 ⁷⁴	n.a. ^{n.a.}		
094 c	Gas Train	Lp, With Fl.Safeg	7133 772 ⁶⁸	n.a. ^{n.a.}		
095	Pilot Press. Regulator		9544 326 ¹⁰	9544 326 ¹⁰		
096 a	Pilot Valve, 1/8", 24V		9544 327 ²³	9544 327 ²³		
096 b ^{*2}	Pilot Valve, 120V		9544 320 ²⁴	n.a. ^{n.a.}		
100	Install./Serv. Instr. Vitogas 050 RS		5167 456 ^L	5167 456 ^L		
101	Checklist RS		5167 366 ^L	5167 366 ^L		
102	Install. Instr. Supp. RS		5265 428 ^L	5265 428 ^L		
103	Coding Plug C6		7450 687 ⁷	7450 687 ⁷		
104	Nameplate SIL Viessmann Decal TT03379		5167 837 ^L	5167 837 ^L		
105	Nameplate SIL VITOGAS50 Decal TT03380		5167 838 ^L	5167 838 ^L		
106	Cleaning Brush		9507 137 ⁷	9507 137 ⁷		
107 W ^{*5}	Pilot Assly		9544 311 ³²	9544 311 ³²		
108 W	Ionization Electrode		9544 376 ²⁰	9544 376 ²⁰		
109 W	Ignition Electrode		9544 377 ²⁰	9544 377 ²⁰		

Conversion Kits

167 ^{*4}	Conversion Kit, Lp > Ng (0-2000 Ft)	7134 129 ⁷⁵	n.a. ^{n.a.}		
-------------------	-------------------------------------	------------------------	----------------------	--	--

Notes:

*1 WARNING: **Only** install orifice sizes as listed on the boiler rating plate. Do **NOT** use different orifices.

*2 IMPORTANT: For RS Series boilers factory equipped with RA890 Flame Safeguard only.

*3 IMPORTANT: Gas valves listed in the "2-Stage" column are **calibrated** at the Viessmann factory. **Never** install an uncalibrated valve direct from Honeywell.

*4 WARNING: **Never** attempt conversions not listed above.

*5 IMPORTANT: **For LP applications**, order Pilot Orifice O43d; Pilot

"n.a." indicates not applicable.

"W" indicates wearing part (service).

"L" indicates literature (no charge).

"Kit" or "Other" indicates that this is not a Price Category item;

Atola		RS-8	RS-11	RS-14	
General Info	Price List Section:	2.3			
	Parts Catalog Section:	08			
	Series Name:	Atola-RS		(6/1989 - 9/2000)	
	Applies to serials nos. beginning with:				
	Accurate as of:	07/01/2012			

Parts List

Please refer to: Parts List

Pos. Description Part Numbers / Price Categories

001	Left End Section	9543 951 ⁴⁹	9543 951 ⁴⁹	9543 951 ⁴⁹	
002	Mid Section w 3/4" Drilling	9543 959 ⁴²	9543 959 ⁴²	9543 959 ⁴²	
003	Mid Section	9543 958 ⁴¹	9543 958 ⁴¹	9543 958 ⁴¹	
004	Right End Section	9543 952 ⁴⁸	9543 952 ⁴⁸	9543 952 ⁴⁸	
005	Push Nipple, 2-1/2"	9549 646 ⁴	9549 646 ⁴	9549 646 ⁴	
006	Tie Rod	9549 647 ⁶	9549 648 ⁸	9549 649 ⁶	
007	Upper Flange Cover	9560 648 ¹⁰	9560 648 ¹⁰	9560 648 ¹⁰	
008	Probe Hole Cover	9560 546 ²	9560 546 ²	9560 546 ²	
009	Stud, M8x34	9560 547 ¹	9560 547 ¹	9560 547 ¹	
010	Comb. Chamber Door Insul.	9560 548 ⁶	9560 548 ⁶	9560 548 ⁶	
011	Comb. Chamber Door	9560 549 ¹¹	9560 549 ¹¹	9560 549 ¹¹	
012	Stud, M5x15 Zn	9560 550 ¹	9560 550 ¹	9560 550 ¹	
013	Stud, M6x17 Zn	9560 551 ²	9560 551 ²	9560 551 ²	
014	Blank Plate	9560 440 ⁶	9560 440 ⁶	9560 440 ⁶	
015	Plate f Pilot Burner	9560 552 ⁹	9560 552 ⁹	9560 552 ⁹	
016	Rear Lower Panel, R.H. Side	9549 493 ^D	9549 493 ^D	9549 493 ^D	
017	Window	9560 553 ³	9560 553 ³	9560 553 ³	
018	Spring Tdm	9560 554 ¹	9560 554 ¹	9560 554 ¹	
020	Stud, M12x50 - Stamped B7	9560 556 ⁵	9560 556 ⁵	9560 556 ⁵	
021	Gasket, 65 x 95 x 2mm	9549 847 ²	9549 847 ²	9549 847 ²	
022	Flange DN50 PN6 3/4" NPT	9560 425 ¹³	9560 425 ¹³	9560 425 ¹³	
023	Flange DN50 PN6 1" NPT	9560 426 ¹³	9560 426 ¹³	9560 426 ¹³	
024	Rear Lower Panel, L.H. Side RS	9549 494 ^D	9549 494 ^D	9549 494 ^D	
025	Baffle, RS	9549 651 ⁹	9549 651 ⁹	9549 651 ⁹	
026	Spring Clip, Mo/A8	9560 558 ¹	9560 558 ¹	9560 558 ¹	
027	Comb. Chamber Fixing Plt	9560 559 ²	9560 559 ²	9560 559 ²	
028	Stud, M12x60	9560 560 ⁵	9560 560 ⁵	9560 560 ⁵	
029	Water Distributor	9560 561 ²⁴	9560 582 ²⁷	9560 582 ²⁷	
030	Flange 2" NPT	9549 923 ⁹	9549 923 ⁹	9549 923 ⁹	
031	Plug 3/4" Mfig. 290	9560 562 ³	9560 562 ³	9560 562 ³	
032	Fastener	9560 563 ¹	9560 563 ¹	9560 563 ¹	
034	Draft Hood Baffle	9560 565 ^D	9560 565 ^D	9560 565 ^D	
035	Packing Seal, 15x750mm	9560 566 ⁵	9560 567 ⁵	9560 568 ⁵	
036	Pin, M5 Zncr	9560 569 ¹	9560 569 ¹	9560 569 ¹	
037	Smoke Chamber Cover	9560 570 ⁴³	9560 571 ⁴³	9560 572 ⁴³	
038	Smoke Chamber Left Side	9560 573 ²⁰	9560 573 ²⁰	9560 573 ²⁰	
039	Smoke Chamber Right Side	9560 574 ²⁰	9560 574 ²⁰	9560 574 ²⁰	
040	Burner Manifold	9560 575 ⁴⁰	9560 576 ⁴⁵	9560 577 ⁴⁹	
041	Press. Test Nipple, 1/8"	9560 578 ^D	9560 578 ^D	9560 578 ^D	
042	Aluminum Washer, 14mm	9560 579 ¹	9560 579 ¹	9560 579 ¹	continued

Atola		RS-8	RS-11	RS-14	
General Info	Price List Section:	2.3			
	Parts Catalog Section	08			
	Series Name:	Atola-RS	(6/1989 - 9/2000)		
	Applies to serials nos. beginning with:				
	Accurate as of:	07/01/2012			

Parts List

Please refer to: Parts List
 Pos. Description

Part Numbers / Price Categories

043 a *1	Orifice, Ng, 0-2000Ft	9544 255 ^D	9544 255 ^D	9544 255 ^D	
043 b *1	Orifice, Ng, 2000-4500Ft	9544 251 ^D	9544 251 ^D	9544 251 ^D	
043 c *1	Orifice, Ng, 4500-7000Ft	9544 251 ^D	9544 251 ^D	9544 251 ^D	
043 d *1	Orifice, Lp, 0-2000Ft	9544 248 ^D	9544 248 ^D	9544 248 ^D	
* 1 W	Pilot Orifice, Ng, 0-2000Ft	9543 768 ⁹	9543 768 ⁹	9543 768 ⁹	
* 1 W	Pilot Orifice, Ng, 2000-4500Ft	9543 768 ⁹	9543 768 ⁹	9543 768 ⁹	
* 1 W	Pilot Orifice, Ng, 4500-7000Ft	9543 768 ⁹	9543 768 ⁹	9543 768 ⁹	
* 1 W *5	Pilot Orifice, Lp, 0-2000Ft	9544 244 ⁹	9544 244 ⁹	9544 244 ⁹	
044	Burner Tube, 109/10 561mm	9542 803 ¹⁴	9542 803 ¹⁴	9542 803 ¹⁴	
045	Smoke Chamber Door	9560 583 ¹⁹	9560 584 ²⁰	9560 585 ²⁰	
052	Frame, Front and Rear	9560 586 ¹⁷	9560 587 ¹⁸	9560 588 ¹⁸	
053	Frame, Right	9560 580 ¹⁵	9560 580 ¹⁵	9560 580 ¹⁵	
054	Frame, Left	9560 581 ¹⁵	9560 581 ¹⁵	9560 581 ¹⁵	
055	Pin, M5 Zn	9560 589 ¹	9560 589 ¹	9560 589 ¹	
057	Upper Rear Panel, L.H. Side	9549 492 ^D	9549 492 ^D	9549 492 ^D	
058	Rear Upper Panel, R.H. Side	9549 491 ^D	9549 491 ^D	9549 491 ^D	
059	Fastener U/8/24	9560 590 ¹	9560 590 ¹	9560 590 ¹	
060	Lower Inner Panel	9549 472 ^D	9549 473 ^D	9549 474 ^D	
062	Upper Inner Panel	9549 475 ^D	9549 476 ^D	9549 477 ^D	
063	Rear Panel	9549 478 ^D	9549 479 ^D	9549 480 ^D	
065	Side Panel, Front w Opening	9549 482 ^D	9549 482 ^D	9549 482 ^D	
066	Front Lower Panel	9560 455 ^D	9560 456 ^D	9560 457 ^D	
067	Central Front Panel	9549 486 ^D	9549 461 ⁵	9549 487 ^D	
068	Top Front Panel	9549 504 ^D	9549 505 ^D	9560 465 ^D	
069	Top Panel, Front	9549 498 ^D	9549 499 ^D	9549 500 ^D	
070	Top Panel, Rear	9549 501 ^D	9549 502 ^D	9549 503 ^D	
071	Smoke Chamber	9549 540 ⁴⁷	9549 541 ⁵⁵	9549 542 ⁶⁶	
072	Boiler Shell	7133 475 ^{Other}	7133 476 ^{Other}	7133 477 ^{Other}	
081	Control Cable w #41 Plug	7823 562 ¹⁰	7823 562 ¹⁰	7823 562 ¹⁰	
082	Complete Pilot Burner Harness	7133 669 ¹²	7133 669 ¹²	7133 669 ¹²	
083	Complete Spark Plug Harness	7133 668 ¹³	7133 668 ¹³	7133 668 ¹³	
084	Ignition Module	7134 952 ²⁴	7134 952 ²⁴	7134 952 ²⁴	
085 *2	Flame Safeguard	7374 833 ⁵⁸	7374 833 ⁵⁸	7374 833 ⁵⁸	
087	Transformer, 120 / 25v, 40VA	9544 134 ¹¹	9544 134 ¹¹	9544 134 ¹¹	
088 *2	Ignition Transformer	9571 687 ²⁰	9571 687 ²⁰	9571 687 ²⁰	
091	Pr.Rel Valve, 1 x 1" 50PSI, Model 174	9549 270 ²³	9549 270 ²³	9549 270 ²³	

Atola		RS-8	RS-11	RS-14	
General Info	Price List Section:	2.3			
	Parts Catalog Section	08			
	Series Name:	Atola-RS	(6/1989 - 9/2000)		
	Applies to serials nos. beginning with:				
	Accurate as of:	07/01/2012			

Parts List

Please refer to: Parts List

Pos. Description Part Numbers / Price Categories

092 a	Gas Valve & Reg	Ng	9544 323 ⁴²	9544 283 ⁴⁵	9544 283 ⁴⁵	
092 b	Gas Valve & Reg	Lp	9544 379 ⁴²	9544 379 ⁴²	9544 379 ⁴²	
093 a	Gas Valve (Redundant)	Ng	9544 324 ³⁷	9544 325 ⁴¹	9544 325 ⁴¹	
093 b	Gas Valve (Redundant)	Lp	9544 324 ³⁷	9544 324 ³⁷	9544 324 ³⁷	
094 a	Gas Train	Ng, No Fl.Safeg	7133 767 ⁶⁴	7133 768 ⁷²	7133 769 ⁷²	
094 b	Gas Train	Ng, With Fl.Safeg	7134 186 ⁶⁶	7134 187 ⁷⁴	7134 188 ⁷⁴	
094 c	Gas Train	Lp, With Fl.Safeg	7133 770 ⁶⁶	7133 771 ⁶⁶	7133 772 ⁶⁸	
095	Pilot Press. Regulator		9544 326 ¹⁰	9544 326 ¹⁰	9544 326 ¹⁰	
096 a	Pilot Valve, 1/8", 24V		9544 327 ²³	9544 327 ²³	9544 327 ²³	
096 b ^{*2}	Pilot Valve, 120V		9544 320 ²⁴	9544 320 ²⁴	9544 320 ²⁴	
100	Install./Serv. Instr. Vitogas 050 RS		5167 456 ^L	5167 456 ^L	5167 456 ^L	
101	Checklist RS		5167 366 ^L	5167 366 ^L	5167 366 ^L	
102	Install. Instr. Supp. RS		5265 428 ^L	5265 428 ^L	5265 428 ^L	
104	Nameplate Viessmann		5204 706 ³	5204 706 ³	5204 706 ³	
105	Nameplate Atola (New Style)		5204 715 ³	5204 715 ³	5204 715 ³	
106	Cleaning Brush		9507 137 ⁷	9507 137 ⁷	9507 137 ⁷	
107 W ^{*5}	Pilot Assly		9544 311 ³²	9544 311 ³²	9544 311 ³²	
108 W	Ionization Electrode		9544 376 ²⁰	9544 376 ²⁰	9544 376 ²⁰	
109 W	Ignition Electrode		9544 377 ²⁰	9544 377 ²⁰	9544 377 ²⁰	

Conversion Kits

167 ^{*3}	Conversion Kit, Lp > Ng (0-2000 Ft)	7134 127 ⁶⁶	7134 128 ⁷⁵	7134 129 ⁷⁵	
-------------------	-------------------------------------	------------------------	------------------------	------------------------	--

Notes:

- *1 WARNING: **Only** install orifice sizes as listed on the boiler rating plate. Do **NOT** use different orifices.
- *2 IMPORTANT: For RS Series boilers factory equipped with RA890 Flame Safeguard only.
- *3 WARNING: **Never** attempt conversions not listed above.
- *5 IMPORTANT: **For LP applications**, order Pilot Orifice 043d; Pilot Assly 107 comes with NG pilot orifice only.
- "n.a." indicates not applicable.
- "W" indicates wearing part (service).
- "L" indicates literature (no charge).
- "Kit" or "Other" indicates that this is not a Price Category item; contact Inside Sales for pricing.
- "D" indicates discontinued.

**RS Series Boilers
Vitogas 050, Atola**

Please file in Service Binder

- Parts**
- 001 Left end section
 - 002 Mid section w 3/4" drilling
 - 003 Mid section
 - 004 Right end section
 - 005 Push nipple, 2-1/2"
 - 006 Tie rod
 - 007 Upper flange cover
 - 008 Probe hole cover
 - 009 Stud, M8x34
 - 010 Combustion chamber door insul.
 - 011 Combustion chamber door
 - 012 Stud, M5x15 Zn
 - 013 Stud, M6x17 Zn
 - 014 Blank plate
 - 015 Plate f pilot burner
 - 016 Rear lower panel, r.h. side
 - 017 Window
 - 018 Spring tdm
 - 019 Hex screw, M6x20
 - 020 Stud, M12x50 - stamped B7
 - 021 Gasket, 65 x 95 x 2mm
 - 022 Flange DN50 PNG 3/4" npt
 - 023 Flange DN50 PNG 1" npt
 - 024 Rear lower panel, l.h. side
 - 025 Baffle
 - 026 Spring clip, MO/A8
 - 027 Combustion chamber fixing plt
 - 028 Stud, M12x60
 - 029 Water distributor
 - 030 Flange 2" npt
 - 031 Plug 3/4" mfig. 290
 - 032 Fastener
 - 033 Hex screw, M5x20 zncr
 - 034 Smoke chamber baffle
 - 035 Packing seal, 15x750mm
 - 036 Pin, M5 ZnCr
 - 037 Smoke chamber cover
 - 038 Smoke chamber left side
 - 039 Smoke chamber right side
 - 040 Burner manifold
 - 041 Press. test nipple, 1/8"
 - 042 Aluminum washer, 14mm
 - 043 Orifice
 - Pilot orifice

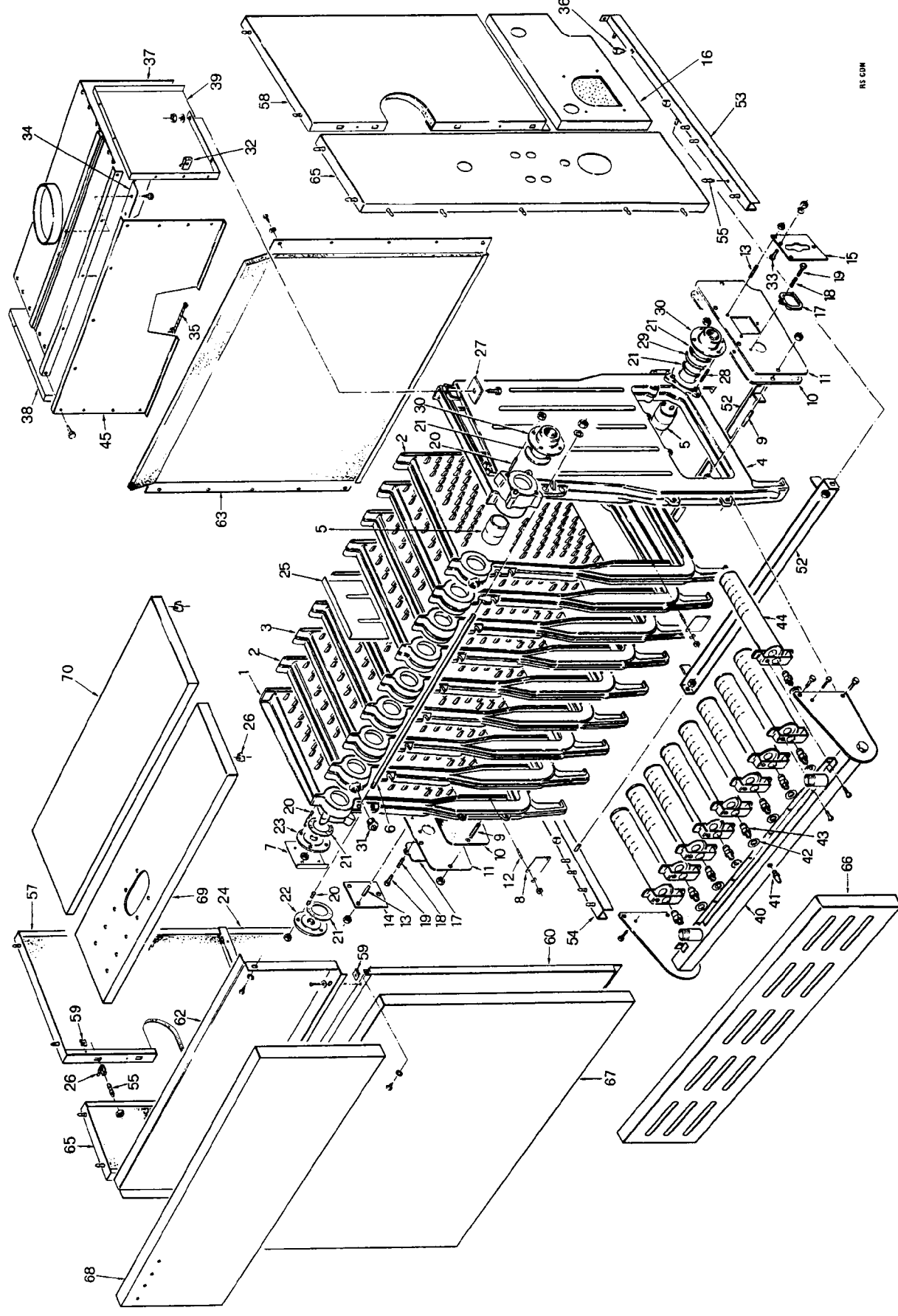
- 044 Burner tube, 109/10 561mm
- 045 Smoke chamber door
- 046 Pan head screw, M5x10
- 047 Hex head screw, M8x16
- 052 Frame, front and rear
- 053 Frame, right
- 054 Frame, left
- 055 Pin, M5 Zn
- 057 Upper rear panel, l.h. side
- 058 Rear upper panel, r.h. side
- 059 Fastener U/8/24
- 060 Lower inner panel
- 062 Upper inner panel
- 063 Rear panel
- 065 Side panel, front w opening
- 066 Front lower panel
- 067 Central front panel
- 068 Top front panel
- 069 Top panel, front
- 070 Top panel, rear

Not illustrated

- 080 Ignition cable (2-stage) *2
- 081 #41 Plug ignition harness
- 082 Complete pilot burner harness
- 083 Complete spark plug harness
- 084 Ignition module
- 085 Flame safeguard, RA890F1270B *1
- 086 Ext. module, two-stage burner *2
- 087 Transformer, 120/25V, 40VA
- 088 Ignition transformer *1
- 089 Control console cover
- 091 Pr.rel valve, 1 x 1"
- 092 Gas valve & reg
- 093 Gas valve (redundant)
- 094 Gas train
- 095 Pilot pressure regulator
- 096 Pilot valve
- 100 Installation/Service Instr.
- 101 Checklist
- 102 Installation Instr. Supplement
- 103 Coding plug "C6"
- 104 Nameplate "Viessmann"
- 105 Nameplate "Vitogas 50"
- 106 Cleaning brush

*1For RS Series boilers factory equipped with RA890 Flame Safeguard only.

*2For 2-stage boilers only.



RS COM

VITOGAS 100

Vitogas 100	GS1-22	GS1-29	GS1-35	GS1-42	GS1-48	GS1-60	
General Info	Price List / Product Cat. Section: 2.4						
	Series Name: GS1 (7/2001 - 6/2009)						
	Accurate as of: 07/01/2012						
Shipping Overview	Natural Gas, 0 - 4500 ft						
Level 0 Price List	GS12570	GS12571	GS12572	GS12573	GS12574	GS12575	
Level 1 Blr c/w Jkt	7133 930	7133 931	7133 932	7133 933	7133 934	7133 935	
InstFit	7133 967	7133 968	7133 968	7133 968	7133 969	7133 969	
SafetyHdr	7133 199	7133 199	7133 199	7133 199	7133 199	7133 199	
	Natural Gas, 4500 - 7000 ft						
Level 0 Price List	GS12576	GS12577	GS12578	GS12579	GS12580	GS12581	
Level 1 Blr c/w Jkt	7133 936	7133 937	7133 938	7133 939	7133 940	7133 941	
InstFit	7133 967	7133 968	7133 968	7133 968	7133 969	7133 969	
SafetyHdr	7133 199	7133 199	7133 199	7133 199	7133 199	7133 199	
	Natural Gas, 7000 - 10000 ft						
Level 0 Price List	GS12582	GS12583	GS12584	GS12585	GS12586	GS12587	
Level 1 Blr c/w Jkt	7133 942	7133 943	7133 944	7133 945	7133 946	7133 947	
InstFit	7133 967	7133 968	7133 968	7133 968	7133 969	7133 969	
SafetyHdr	7133 199	7133 199	7133 199	7133 199	7133 199	7133 199	
	Propane Gas, 0 - 4500 ft						
Level 0 Price List	GS12588	GS12589	GS12590	GS12591	GS12592	GS12593	
Level 1 Blr c/w Jkt	7133 948	7133 949	7133 950	7133 951	7133 952	7133 953	
InstFit	7133 967	7133 968	7133 968	7133 968	7133 969	7133 969	
SafetyHdr	7133 199	7133 199	7133 199	7133 199	7133 199	7133 199	
	Propane Gas, 4500 - 7000 ft						
Level 0 Price List	GS12594	GS12595	GS12596	GS12597	GS12598	GS12599	
Level 1 Blr c/w Jkt	7133 954	7133 955	7133 956	7133 957	7133 958	7133 959	
InstFit	7133 967	7133 968	7133 968	7133 968	7133 969	7133 969	
SafetyHdr	7133 199	7133 199	7133 199	7133 199	7133 199	7133 199	
	Propane Gas, 7000 - 10000 ft						
Level 0 Price List	GS12600	GS12601	GS12602	GS12603	GS12604	GS12605	
Level 1 Blr c/w Jkt	7133 960	7133 961	7133 962	7133 963	7133 964	7133 965	
InstFit	7133 967	7133 968	7133 968	7133 968	7133 969	7133 969	
SafetyHdr	7133 199	7133 199	7133 199	7133 199	7133 199	7133 199	

VITOGAS 100

Vitogas 100	GS1-22	GS1-29	GS1-35	GS1-42
General Info	Price List Section: 2.4			
	Parts Catalog Section: 09			
	Series Name: GS1 (7/2001 - 6/2009)			
	Applies to serials nos. beginning with: 7133930...+ 7133931...+ 7133932...+ 7133933...+			
	Accurate as of: 07/01/2012			

Parts List

Please refer to: Parts List
Pos. Description

Part Numbers / Price Categories

Pos.	Description	7370 345 ⁹	7370 346 ⁹	7370 347 ⁹	7370 348 ¹⁰
001	Cover Plate, Draft Hood	7370 345 ⁹	7370 346 ⁹	7370 347 ⁹	7370 348 ¹⁰
002	Draft Hood	7143 137 ²⁴	7143 138 ²⁴	n.a. ^{n.a.}	n.a. ^{n.a.}
002	Draft Hood	n.a. ^{n.a.}	n.a. ^{n.a.}	7818 947 ²¹	7818 948 ²¹
003	Flue Gas Collector	n.a. ^{n.a.}	n.a. ^{n.a.}	7370 395 ²⁰	7370 396 ²⁰
005	Gasket 80 x 80 x 3mm	7827 781 ⁵	7827 781 ⁵	7827 781 ⁵	7827 781 ⁵
006	Sensor Well	7818 215 ¹²	7818 215 ¹²	7818 215 ¹²	7818 215 ¹²
007	Cleaning Brush w Handl 13x28x80mm	7815 013 ⁴	7815 013 ⁴	7815 013 ⁴	7815 013 ⁴
008 *1	Section, Left GS1 (ASME)	5281 135 ²²	5281 135 ²²	5281 135 ²²	5281 135 ²²
009 *1	Section, Right GS1 (ASME)	5281 134 ²⁵	5281 134 ²⁵	5281 134 ²⁵	5281 134 ²⁵
010 *1	Section, Intermed. GS1 (ASME)	5281 136 ¹⁶	5281 136 ¹⁶	5281 136 ¹⁶	5281 136 ¹⁶
056	Serv. Key	7815 498 ⁶	7815 498 ⁶	7815 498 ⁶	7815 498 ⁶
100	Burner Tube	7134 428 ¹⁵	7134 428 ¹⁵	7134 428 ¹⁵	7134 428 ¹⁵
101	Gas Valve NG, 1/2 x 1/2"	9549 966 ³⁰	9549 966 ³⁰	9549 966 ³⁰	9549 966 ³⁰
101	Gas Valve LP, 1/2 x 1/2"	9549 967 ²⁵	9549 967 ²⁵	9549 967 ²⁵	9549 967 ²⁵
102	90 Deg. Flange	9549 987 ⁷	9549 987 ⁷	9549 987 ⁷	9549 987 ⁷
103	Ionization Cable	7133 780 ⁷	7133 780 ⁷	7133 780 ⁷	7133 780 ⁷
106 W	Pilot Assly (w NG/LP orif)	7134 275 ¹⁶	7134 275 ¹⁶	7134 275 ¹⁶	7134 275 ¹⁶
107 a W	Orifice Pilot, 0.38mm (NG)	9507 084 ³	9507 084 ³	9507 084 ³	9507 084 ³
107 b W	Orifice Pilot, 0.24mm (LP)	9507 085 ⁴	9507 085 ⁴	9507 085 ⁴	9507 085 ⁴
108	Ignition Module	7134 953 ²⁴	7134 953 ²⁴	7134 953 ²⁴	7134 953 ²⁴
109	Pilot Adaptor	9543 387 ⁵	9543 387 ⁵	9543 387 ⁵	9543 387 ⁵
110 a *2	Orifice, Ng, 0-4500Ft	5380 520 ^D	5380 520 ^D	5380 519 ^D	9507 070 ^D
110 b *2	Orifice, Ng, 4500-7000Ft	9507 070 ^D	5380 517 ^D	5380 517 ^D	5380 516 ^D
110 c *2	Orifice, Ng, 7000-10000Ft	5380 516 ^D	5380 515 ^D	5380 515 ^D	5380 514 ^D
110 d *2	Orifice, Lp, 0-4500Ft	9517 519 ^D	9517 519 ^D	9517 519 ^D	9517 519 ^D
110 e *2	Orifice, Lp, 4500-7000Ft	5380 549 ^D	5380 549 ^D	5380 549 ^D	5380 549 ^D
110 f *2	Orifice, Lp, 7000-10000Ft	5380 548 ^D	5380 548 ^D	5380 548 ^D	5380 548 ^D
111	Orifice Ring, D 10 x 14 x 1	9588 941 ^D	9588 941 ^D	9588 941 ^D	9588 941 ^D
112	Junction Box	7133 638 ¹⁸	7133 638 ¹⁸	7133 638 ¹⁸	7133 638 ¹⁸
115	Insulation, Mid-Panel	7383 215 ¹³	7383 216 ¹⁴	7383 217 ¹⁵	7383 218 ¹⁶
119	Ignition Cable	7133 779 ⁹	7133 779 ⁹	7133 779 ⁹	7133 779 ⁹
120	Relay Module Subassy 120/24V	7133 970 ³²	7133 970 ³²	7133 970 ³²	7133 970 ³²
121	Flame Rollout Switch Subassy 400 Deg. F	7133 971 ¹¹	7133 971 ¹¹	7133 971 ¹¹	7133 971 ¹¹
122	Blocked Vent Switch Assly 235 Deg. F	7133 549 ⁹	7133 549 ⁹	7133 549 ⁹	7133 549 ⁹
200	Top Panel	7334 012 ¹²	7333 784 ¹²	7333 785 ¹³	7830 936 ²⁴
201	Front Panel Lower	7333 767 ¹⁷	7333 767 ¹⁷	7829 432 ³¹	7829 432 ³¹
202	Side Panel (Left/Right)	5335 651 ¹²	5335 651 ¹²	5335 651 ¹²	5335 651 ¹²
203	Front Panel, Upper	7823 140 ¹⁹	7823 140 ¹⁹	7333 758 ²⁰	7333 758 ²⁰
204	Rear Panel	7334 482 ¹²	7334 483 ¹³	7334 484 ¹³	7334 485 ¹⁴
205	Mid Panel	7333 779 ¹⁶	7333 779 ¹⁶	7333 780 ¹⁶	7333 780 ¹⁶
206	Insulation Blkt, Top	5334 414 ⁷	5334 416 ⁸	5334 417 ⁸	5334 415 ⁸
207	Mounting Bracket, Right/Left	5336 265 ⁸	5336 265 ⁸	5336 265 ⁸	5336 265 ⁸
208	Insulation Blkt	5335 754 ¹²	5335 755 ¹³	5335 756 ¹³	5335 757 ¹⁴
					continued

VITOGAS 100

Vitogas 100	GS1-22	GS1-29	GS1-35	GS1-42
General Info	Price List Section: 2.4			
	Parts Catalog Section: 09			
	Series Name: GS1 (7/2001 - 6/2009)			
	Applies to serials nos. beginning with: 7133930...+ 7133931...+ 7133932...+ 7133933...+			
	Accurate as of: 07/01/2012			

Parts List

Please refer to: Parts List
Pos. Description

Part Numbers / Price Categories

Pos.	Description	5336 156 ⁵	5336 156 ⁵	5336 156 ⁵	5336 156 ⁵
209	Insulation 1, Boiler Supply	5336 156 ⁵	5336 156 ⁵	5336 156 ⁵	5336 156 ⁵
210	Insulation 2, Boiler Supply	5334 980 ⁴	5334 980 ⁴	5334 980 ⁴	5334 980 ⁴
211	Insulation, Boiler Return	5336 157 ⁵	5336 157 ⁵	5336 157 ⁵	5336 157 ⁵
212	Lock Mechanism	7819 591 ⁶	7819 591 ⁶	7819 591 ⁶	7819 591 ⁶
213	Panel Cap	7819 534 ³	7819 534 ³	7819 534 ³	7819 534 ³
214	Cover, Edgemolding	7819 438 ⁴	7819 438 ⁴	7819 438 ⁴	7819 438 ⁴
215	Grommet 18	7818 952 ³	7818 952 ³	7818 952 ³	7818 952 ³
216	Grommet 14	7818 951 ³	7818 951 ³	7818 951 ³	7818 951 ³
217	Spacer	7818 859 ³	7818 859 ³	7818 859 ³	7818 859 ³
218	Nameplate Vitogas 100	7820 082 ⁶	7820 082 ⁶	7820 082 ⁶	7820 082 ⁶
219	Access. Pack (Fr.Panel Hardw.)	7819 773 ⁸	7819 773 ⁸	7819 773 ⁸	7819 773 ⁸
220	Spring Clip f Insul.(Set Of 4)	7077 973 ⁵	7077 973 ⁵	7077 973 ⁵	7077 973 ⁵
221	Rubber Cover	7818 950 ⁴	7818 950 ⁴	7818 950 ⁴	7818 950 ⁴
222	Strain Relief (8-Channel)	7818 280 ⁵	7818 280 ⁵	7818 280 ⁵	7818 280 ⁵
223	Decorative Stripe	7819 535 ⁵	7819 535 ⁵	7819 535 ⁵	7819 535 ⁵
300	Touch-UP Spray Paint Vitotec SIL	7819 545 ⁹	7819 545 ⁹	7819 545 ⁹	7819 545 ⁹
301	Touch-UP Paint Stk Vitotec SIL	7819 546 ⁵	7819 546 ⁵	7819 546 ⁵	7819 546 ⁵
302	Install. Instr. Vitogas 100 GS1	5167 463 ^L	5167 463 ^L	5167 463 ^L	5167 463 ^L
303	Start-Up/Instal. Instr. Vitogas 100 G	5167 464 ^L	5167 464 ^L	5167 464 ^L	5167 464 ^L
304	Oper. Instr./User's Info Vitogas 100	5167 465 ^L	5167 465 ^L	5167 465 ^L	5167 465 ^L

Conversion Kits ^{*3}

Kit	Description	7133 983 ²⁹	7133 984 ²⁹	7133 985 ²⁹	7133 986 ²⁹
167 a	Conv. Kit Ng > Lp (0-4500Ft)	7133 983 ²⁹	7133 984 ²⁹	7133 985 ²⁹	7133 986 ²⁹
167 b	Conv. Kit Lp > Ng (0-4500Ft)	7133 989 ³³	7133 990 ³³	7133 991 ³³	7133 992 ³³
167 c	Conv. Kit Ng (0-4500 > 4500-7000Ft)	7133 995 ^D	7133 996 ^D	7133 997 ^D	7133 998 ^D
167 d	Conv. Kit Ng (0-4500 > 7000-10000Ft)	7134 001 ^D	7134 002 ^D	7134 003 ^D	7134 004 ^D
167 e	Conv. Kit Lp (0-4500 > 4500-7000Ft)	7134 007 ^D	7134 008 ^D	7134 009 ^D	7134 010 ^D
167 f	Conv. Kit Lp (0-4500 > 7000-10000Ft)	7134 013 ^D	7134 014 ^D	7134 015 ^D	7134 016 ^D

Notes:

*1 IMPORTANT: If ordering replacement boiler sections, order 4 push nipples per intermediate section and 2 push nipples per side section.

*2 WARNING: **Only** install orifice sizes as listed on the boiler rating plate. Do **NOT** use different orifices. **NEVER** attempt to convert one boiler model into another without using a Viessmann Conversion Kit.

*3 WARNING: **Never** attempt conversions not listed above.

"n.a." indicates not applicable.

"W" indicates wearing part (service).

"L" indicates literature (no charge).

"Kit" or "Other" indicates that this is not a Price Category item; contact Inside Sales for pricing.

Vitogas 100	GS1-48	GS1-60	
General Info	Price List Section:	2.4	
	Parts Catalog Section	GS1	
	Series Name:		(7/2001 - 6/2009)
	Applies to serials nos. beginning with:	7133934... + 7133935... +	
	Accurate as of:	07/01/2012	

Parts List

Please refer to: Parts List
Pos. Description

Part Numbers / Price Categories

Pos.	Description	Part Numbers	Price Categories		
001	Cover Plate, Draft Hood	7370 349 ¹⁰	7819 518 ¹⁵		
002	Draft Hood	n.a. ^{n.a.}	n.a. ^{n.a.}		
002	Draft Hood	7818 317 ²²	7819 519 ²⁴		
003	Flue Gas Collector	7370 397 ²¹	7819 520 ²⁷		
005	Gasket 80 x 80 x 3mm	7827 781 ⁵	7827 781 ⁵		
006	Sensor Well	7818 215 ¹²	7818 215 ¹²		
007	Cleaning Brush w Handl 13x28x80mm	7815 013 ⁴	7815 013 ⁴		
008 *1	Section, Left GS1 (ASME)	5281 135 ²²	5281 135 ²²		
009 *1	Section, Right GS1 (ASME)	5281 134 ²⁵	5281 134 ²⁵		
010 *1	Section, Intermed. GS1 (ASME)	5281 136 ¹⁶	5281 136 ¹⁶		
056	Serv. Key	7815 498 ⁶	7815 498 ⁶		
100	Burner Tube	7134 428 ¹⁵	7134 428 ¹⁵		
101	Gas Valve NG, 1/2 x 1/2"	9549 966 ³⁰	9549 966 ³⁰		
101	Gas Valve LP, 1/2 x 1/2"	9549 967 ²⁵	9549 967 ²⁵		
102	90 Deg. Flange	9549 987 ⁷	9549 987 ⁷		
103	Ionization Cable	7133 780 ⁷	7133 780 ⁷		
106 W	Pilot Assly (w NG/LP orif)	7134 275 ¹⁶	7134 275 ¹⁶		
107 a W	Orifice Pilot, 0.38mm (NG)	9507 084 ³	9507 084 ³		
107 b W	Orifice Pilot, 0.24mm (LP)	9507 085 ⁴	9507 085 ⁴		
108	Ignition Module	7134 953 ²⁴	7134 953 ²⁴		
109	Pilot Adaptor	9543 387 ⁵	9543 387 ⁵		
110 a *2	Orifice, Ng, 0-4500Ft	9507 070 ^D	5380 517 ^D		
110 b *2	Orifice, Ng, 4500-7000Ft	5380 516 ^D	5380 515 ^D		
110 c *2	Orifice, Ng, 7000-10000Ft	5380 514 ^D	5380 513 ^D		
110 d *2	Orifice, Lp, 0-4500Ft	9517 519 ^D	5380 549 ^D		
110 e *2	Orifice, Lp, 4500-7000Ft	5380 549 ^D	5380 548 ^D		
110 f *2	Orifice, Lp, 7000-10000Ft	5380 548 ^D	5380 547 ^D		
111	Orifice Ring, D 10 x 14 x 1	9588 941 ^D	9588 941 ^D		
112	Junction Box	7133 638 ¹⁸	7133 638 ¹⁸		
115	Insulation, Mid-Panel	7825 636 ¹⁶	7819 114 ²¹		
119	Ignition Cable	7133 779 ⁹	7133 779 ⁹		
120	Relay Module Subassly 120/24V	7133 970 ³²	7133 970 ³²		
121	Flame Rollout Switch Subassly 400 Deg. F	7133 971 ¹¹	7133 971 ¹¹		
122	Blocked Vent Switch Assly 235 Deg. F	7133 549 ⁹	7133 549 ⁹		
200	Top Panel	7333 786 ¹⁴	7333 787 ¹⁴		
201	Front Panel Lower	7333 769 ¹⁸	7333 770 ²⁰		
202	Side Panel (Left/Right)	5335 651 ¹²	5335 651 ¹²		
203	Front Panel, Upper	7834 144 ^D	7333 760 ²²		
204	Rear Panel	7334 486 ¹⁴	7334 487 ¹⁵		
205	Mid Panel	7834 145 ³³	7333 782 ¹⁸		
206	Insulation Blkt, Top	5335 407 ⁸	5335 420 ¹⁰		
207	Mounting Bracket, Right/Left	5336 265 ⁸	5336 265 ⁸		
208	Insulation Blkt	5335 758 ¹⁴	5335 687 ¹⁶		
					continued

Vitogas 100	GS1-48	GS1-60	
--------------------	---------------	---------------	--

General Info	Price List Section:	2.4	
	Parts Catalog Section	GS1	
	Series Name:	(7/2001 - 6/2009)	
	Applies to serials nos. beginning with:	7133934... +	7133935... +
	Accurate as of:	07/01/2012	

Parts List

Please refer to: Parts List

Pos. Description Part Numbers / Price Categories

209	Insulation 1, Boiler Supply	5336 156 ⁵	5336 156 ⁵		
210	Insulation 2, Boiler Supply	5334 980 ⁴	5334 980 ⁴		
211	Insulation, Boiler Return	5336 157 ⁵	5336 157 ⁵		
212	Lock Mechanism	7819 591 ⁶	7819 591 ⁶		
213	Panel Cap	7819 534 ³	7819 534 ³		
214	Cover, Edgemolding	7819 438 ⁴	7819 438 ⁴		
215	Grommet 18	7818 952 ³	7818 952 ³		
216	Grommet 14	7818 951 ³	7818 951 ³		
217	Spacer	7818 859 ³	7818 859 ³		
218	Nameplate Vitogas 100	7820 082 ⁶	7820 082 ⁶		
219	Access. Pack (Fr.Panel Hardw.)	7819 773 ⁸	7819 773 ⁸		
220	Spring Clip f Insul.(Set Of 4)	7077 973 ⁵	7077 973 ⁵		
221	Rubber Cover	7818 950 ⁴	7818 950 ⁴		
222	Strain Relief (8-Channel)	7818 280 ⁵	7818 280 ⁵		
223	Decorative Stripe	7819 535 ⁵	7819 535 ⁵		
300	Touch-UP Spray Paint Vitotec SIL	7819 545 ⁹	7819 545 ⁹		
301	Touch-UP Paint Stk Vitotec SIL	7819 546 ⁵	7819 546 ⁵		
302	Install. Instr. Vitogas 100 GS1	5167 463 ^L	5167 463 ^L		
303	Start-Up/Instal. Instr. Vitogas 100 G	5167 464 ^L	5167 464 ^L		
304	Oper. Instr./User's Info Vitogas 100	5167 465 ^L	5167 465 ^L		

Conversion Kits ^{*3}

167 a	Conv. Kit Ng > Lp (0-4500Ft)	7133 987 ²⁹	7133 988 ²⁹		
167 b	Conv. Kit Lp > Ng (0-4500Ft)	7133 993 ³³	7133 994 ³³		
167 c	Conv. Kit Ng (0-4500 > 4500-7000Ft)	7133 999 ^D	7134 000 ^D		
167 d	Conv. Kit Ng (0-4500 > 7000-10000Ft)	7134 005 ^D	7134 006 ^D		
167 e	Conv. Kit Lp (0-4500 > 4500-7000Ft)	7134 011 ^D	7134 012 ^D		
167 f	Conv. Kit Lp (0-4500 > 7000-10000Ft)	7134 017 ^D	7134 018 ^D		

Notes:

*1 IMPORTANT: If ordering replacement boiler sections, order 4 push nipples per intermediate section and 2 push nipples per side section.

*2 WARNING: **Only** install orifice sizes as listed on the boiler rating plate. Do **NOT** use different orifices. **NEVER** attempt to convert one boiler model into another without using a Viessmann Conversion Kit.

*3 WARNING: **Never** attempt conversions not listed above.

"n.a." indicates not applicable.

"W" indicates wearing part (service).

"L" indicates literature (no charge).

"Kit" or "Other" indicates that this is not a Price Category item;

Parts List

Ordering Replacement Parts:

Please provide boiler Model and Serial Number from rating plate when ordering replacement parts. Order replacement parts from your Viessmann distributor.

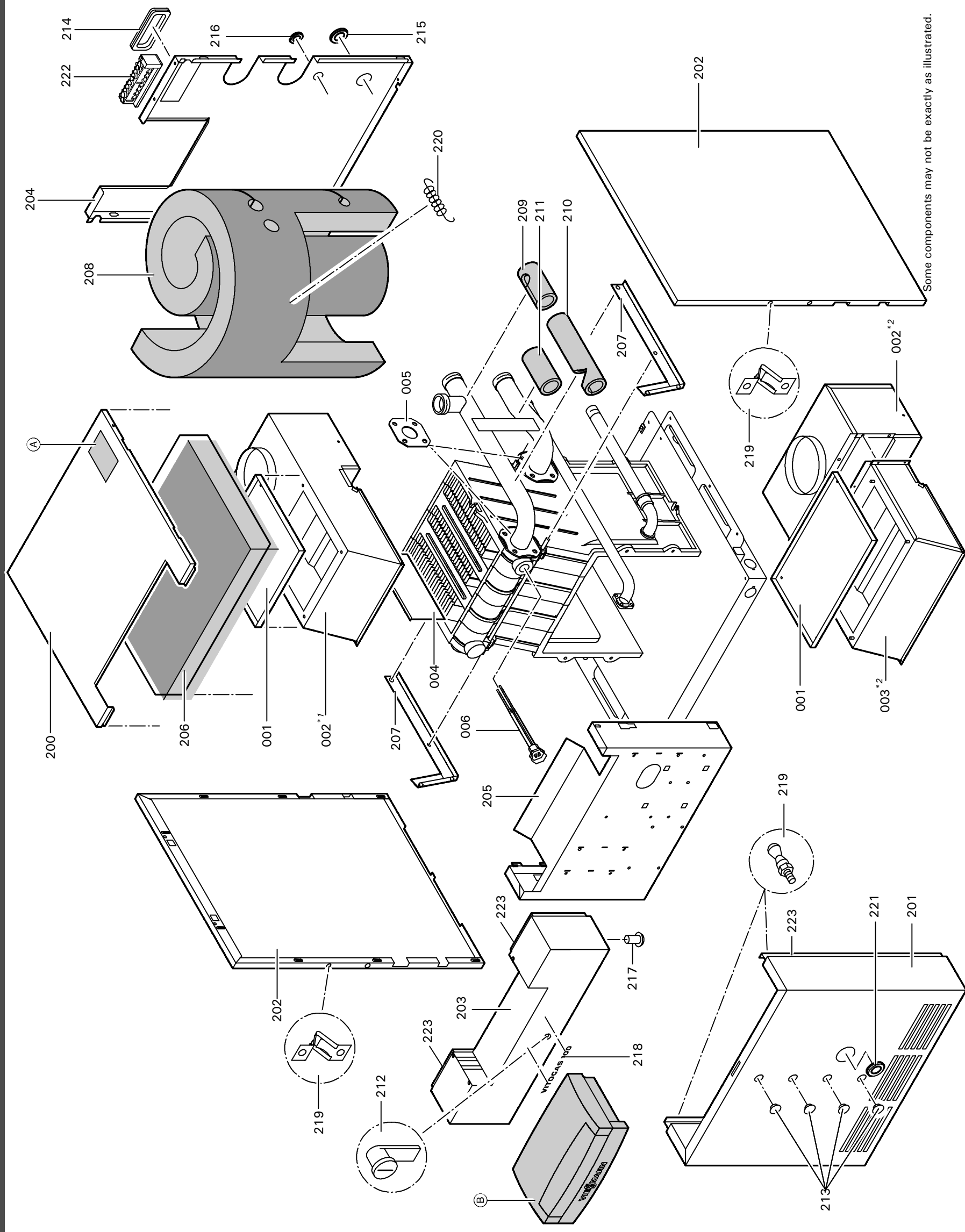
Parts

- 001 Coverplate, draft hood
- 002 Draft hood *1
- 002 Draft hood *2
- 003 Flue gas collector
- 005 Gasket, 80 x 80 x 3mm
- 006 Sensor well
- 200 Top panel
- 201 Front panel, lower
- 202 Side panel, left/right
- 203 Front panel, upper
- 204 Rear panel
- 205 Mid panel
- 206 Insulation blanket, top
- 207 Mounting bracket, right/left
- 208 Insulation blanket
- 209 Insulation 1, boiler supply
- 210 Insulation 2, boiler supply
- 211 Insulation, boiler return
- 212 Lock mechanism
- 213 Panel cap
- 214 Cover, edge molding
- 215 Grommet 18
- 216 Grommet 14
- 217 Spacer
- 218 Plastic nameplate
- 219 Mounting element
- 220 Spring clip for insulation (set of 4)
- 221 Rubber cover
- 222 8-Channel strain relief
- 223 Decorative stripe

- (A) Rating plate
 - (B) Boiler Control
- see separate Parts List

*1 Only for sizes GS1-22 and GS1-29
 *2 Only for sizes GS1-35, GS1-42, GS1-48 and GS1-60

004 Not applicable in North America

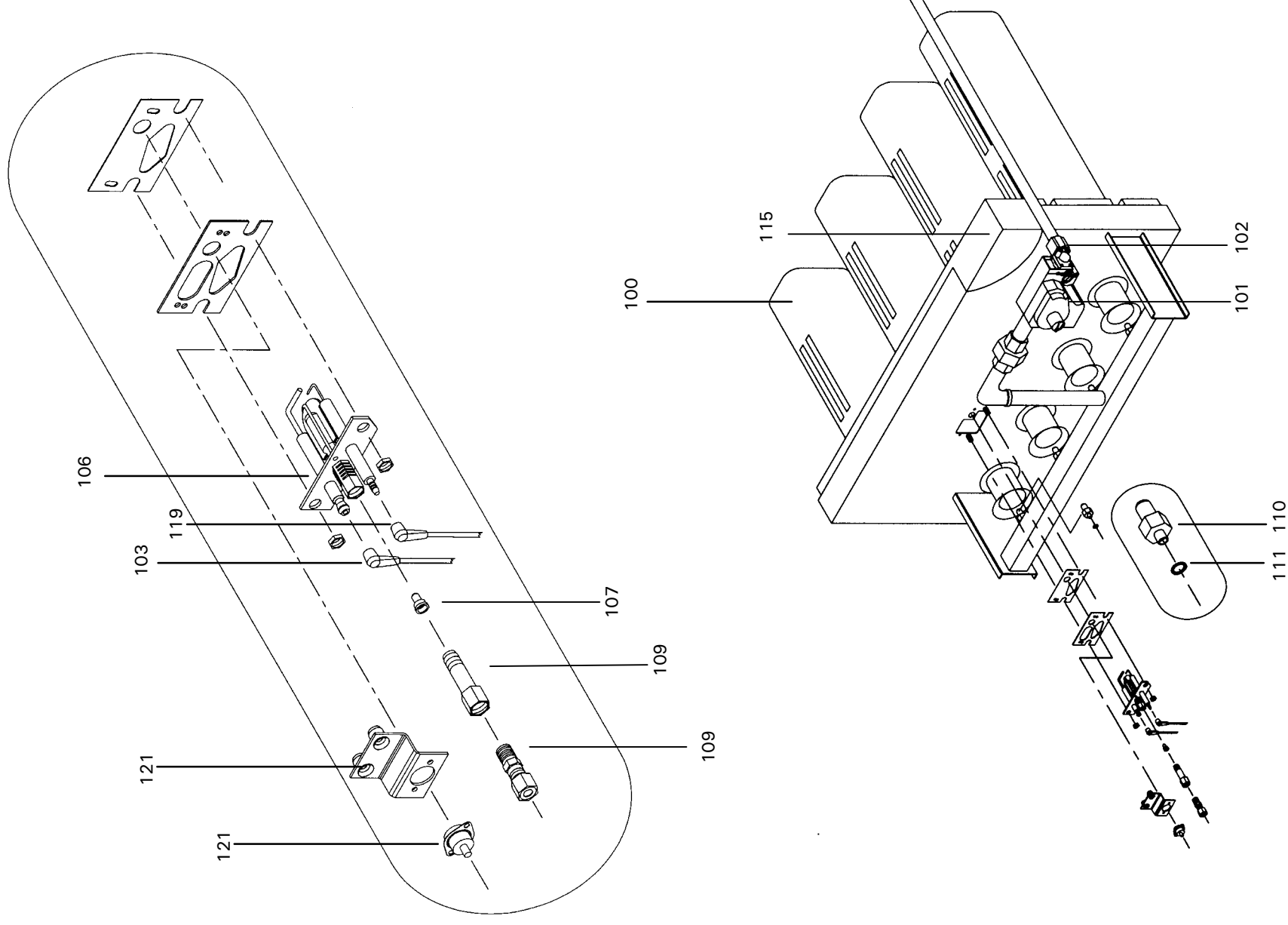
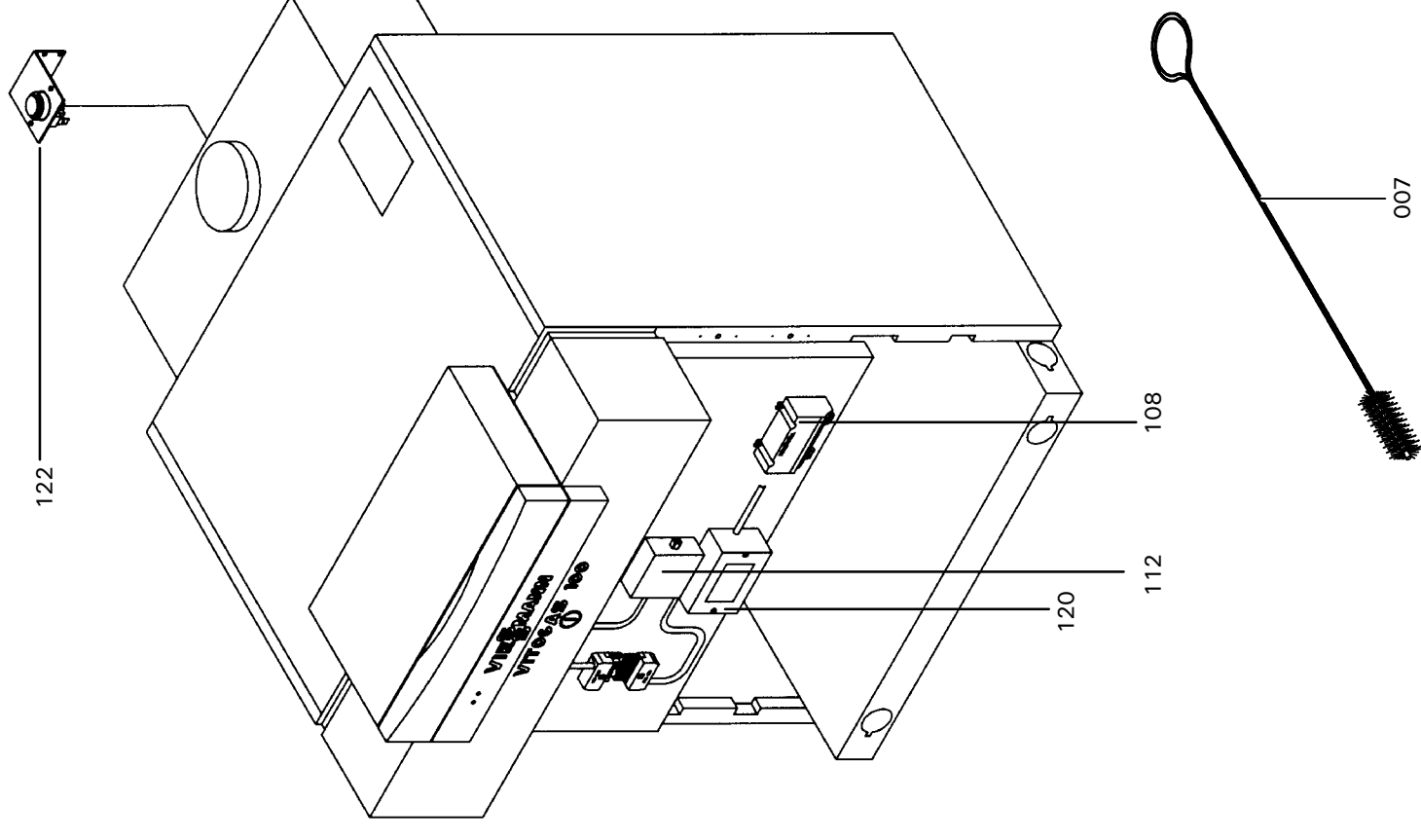


Some components may not be exactly as illustrated.

Parts List (continued)

Parts List

- 007 Cleaning brush
 - 100 Burner tube
 - 101 Gas valve (NG), 1/2 x 1/2"
 - 101 Gas valve (LP), 1/2 x 1/2"
 - 102 Honeywell gas valve flange
 - 103 Ionization cable
 - 106 Pilot (no adaptor/no orifice)
 - 107 Pilot orifice, NG or LP
 - 108 Ignition module
 - 109 Viessmann pilot adaptor
 - 110 Orifice, NG or LP
 - 111 Orifice ring
 - 112 Pump junction box (applicable only to Vitotronic 100 controls)
 - 115 Insulation, mid panel
 - 119 Ignition cable
 - 120 Relay module sub-assembly
 - 121 Flame roll-out switch sub-assembly
 - 122 Blocked vent safety switch assembly
- Other Parts (not illustrated)
- 300 Spray paint
 - 301 Touch-up paint stick
 - 302 Installation Instructions
 - 303 Start-up & Service Instructions
 - 304 Operating Instructions & User's Information Manual



VITOGAS 100

Vitogas 100		GS10-72	GS10-84	GS10-96
General Info		Price List / Product Cat. Section: 2.4		
		Series Name: GS10 (1/2002 -)		
		Accurate as of: 07/01/2012		
Shipping Overview		Natural Gas, 0 - 4500 ft		
Level 0	Price List	GS12606	GS12607	GS12608
Level 1	Jkt	7134 130	7134 131	7134 132
	PrVessel	7134 164	7134 165	7134 166
	Draft hood	7134 148	7134 149	7134 150
	InstFit	7134 151	7134 151	7134 151
	SafetyHdr	7133 199	7133 199	7133 199
		Natural Gas, 4500 - 7000 ft		
Level 0	Price List	GS12609	GS12610	GS12611
Level 1	Jkt	7134 133	7134 134	7134 135
	PrVessel	7134 167	7134 168	7134 169
	Draft hood	7134 148	7134 149	7134 150
	InstFit	7134 151	7134 151	7134 151
	SafetyHdr	7133 199	7133 199	7133 199
		Natural Gas, 7000 - 10000 ft		
Level 0	Price List	GS12612	GS12613	GS12614
Level 1	Jkt	7134 136	7134 137	7134 138
	PrVessel	7134 170	7134 171	7134 172
	Draft hood	7134 148	7134 149	7134 150
	InstFit	7134 151	7134 151	7134 151
	SafetyHdr	7133 199	7133 199	7133 199

continued

VITOGAS 100

Vitogas 100		GS10-72	GS10-84	GS10-96
General Info		Price List / Product Cat. Section: 2.4		
		Series Name: GS10 (1/2002 -)		
		Accurate as of: 07/01/2012		
Shipping Overview		Propane Gas, 0 - 4500 ft		
Level 0	Price List	GS12615	GS12616	GS12617
Level 1	Jkt	7134 139	7134 140	7134 141
	PrVessel	7134 173	7134 174	7134 175
	Draft hood	7134 148	7134 149	7134 150
	InstFit	7134 151	7134 151	7134 151
	SafetyHdr	7133 199	7133 199	7133 199
		Propane Gas, 4500 - 7000 ft		
Level 0	Price List	GS12618	GS12619	GS12620
Level 1	Jkt	7134 142	7134 143	7134 144
	PrVessel	7134 176	7134 177	7134 178
	Draft hood	7134 148	7134 149	7134 150
	InstFit	7134 151	7134 151	7134 151
	SafetyHdr	7133 199	7133 199	7133 199
		Propane Gas, 7000 - 10000 ft		
Level 0	Price List	GS12621	GS12622	GS12623
Level 1	Jkt	7134 145	7134 146	7134 147
	PrVessel	7134 179	7134 180	7134 181
	Draft hood	7134 148	7134 149	7134 150
	InstFit	7134 151	7134 151	7134 151
	SafetyHdr	7133 199	7133 199	7133 199

VITOGAS 100

Vitogas 100	GS10-72	GS10-84	GS10-96	
General Info	Price List Section:	2.4		
	Parts Catalog Section:	09	(1/2002 -)	
	Series Name:	GS10		
	Applies to serials nos. beginning with:	7134130... +	7134131... +	7134132... +
	Accurate as of:	07/01/2012		

Parts List

Please refer to: Parts List

Pos. Description Part Numbers / Price Categories

001	Mounting Bracket, Right/Left	5335 689 ¹¹	5335 689 ¹¹	5335 689 ¹¹	
002	Insulation Blkt	5335 732 ¹⁸	5335 733 ¹⁹	5335 734 ¹⁹	
003	Insulation Blkt, Top	5335 739 ⁹	5335 740 ⁹	5335 741 ¹⁰	
004	Insulation, Draft Hood	5335 746 ⁷	5335 747 ⁷	5335 748 ⁸	
005	Insulation Blkt, Front	5335 851 ⁷	5335 852 ⁷	5335 853 ⁷	
006	Front Panel Top	7333 799 ²⁶	7832 402 ²⁶	7333 801 ²⁶	
007	Front Panel Bottom	7333 813 ²⁴	7333 814 ²⁴	7333 815 ²⁵	
008	Rear Panel	7334 488 ¹⁸	7334 489 ¹⁸	7334 490 ¹⁸	
009	Mid Panel	7333 827 ¹⁹	7333 828 ²⁰	7333 829 ²⁰	
010	Top Panel	7334 505 ¹⁸	7832 403 ¹⁹	7334 507 ¹⁹	
011	Side Panel	7333 910 ¹⁷	7333 910 ¹⁷	7333 910 ¹⁷	
012	Side Panel, Left	7333 911 ¹⁷	7333 911 ¹⁷	7333 911 ¹⁷	
013	Nameplate Vitogas 100	7820 082 ⁶	7820 082 ⁶	7820 082 ⁶	
014	Rubber Cover	7818 950 ⁴	7818 950 ⁴	7818 950 ⁴	
015	Lock Mechanism	7819 591 ⁶	7819 591 ⁶	7819 591 ⁶	
016	Access. Pack (Fr.Panel Hardw.)	7819 773 ⁸	7819 773 ⁸	7819 773 ⁸	
017	Panel Cap	7819 534 ³	7819 534 ³	7819 534 ³	
018	Strain Relief (8-Channel)	7818 280 ⁵	7818 280 ⁵	7818 280 ⁵	
019	Cover, Edgemolding	5271 157 ³	5271 157 ³	5271 157 ³	
020	Spring Clip f Insul.(Set Of 4)	7077 973 ⁵	7077 973 ⁵	7077 973 ⁵	
021	Spacer	7818 859 ³	7818 859 ³	7818 859 ³	
030	Cover Plate, Draft Hood	7819 594 ¹³	7819 595 ¹³	7819 596 ¹⁴	
031	Draft Hood (w Bvs, Adaptor)	7134 148 ^{Other}	7134 149 ^{Other}	7134 150 ^{Other}	
032	Sensor Well	7818 215 ¹²	7818 215 ¹²	7818 215 ¹²	
033	Gasket, 110 x 110 x 3mm	7819 593 ⁵	7819 593 ⁵	7819 593 ⁵	
035	Cleaning Brush w Handl 13x28x80mm	7815 013 ⁴	7815 013 ⁴	7815 013 ⁴	
036	Blocked Vent Switch Assly 200 DegF	7134 159 ⁹	7134 159 ⁹	7134 159 ⁹	
039	Access. Pack (Draft Hood)	7256 280 ⁸	7256 280 ⁸	7256 280 ⁸	
040	Burner Tube	7134 429 ¹⁹	7134 429 ¹⁹	7134 429 ¹⁹	
041	Gas Valve NG/LP, 3/4 x 3/4"	9560 483 ³¹	9560 483 ³¹	9560 483 ³¹	
042	Ext. Module, Mod/TS Burner	7404 960 ¹⁶	7404 960 ¹⁶	7404 960 ¹⁶	
043	Transformer, 120 / 25v, 40VA	9544 134 ¹¹	9544 134 ¹¹	9544 134 ¹¹	
044 W	Pilot Assly (w NG/LP orif)	7134 275 ¹⁶	7134 275 ¹⁶	7134 275 ¹⁶	
045	Ignition Module	7134 953 ²⁴	7134 953 ²⁴	7134 953 ²⁴	
050 a ^{*1}	Orifice, Ng, 0-4500Ft	9507 329 ^D	5380 529 ^D	5380 529 ^D	
050 b ^{*1}	Orifice, Ng, 4500-7000Ft	9507 327 ^D	9507 076 ^D	9507 076 ^D	
050 c ^{*1}	Orifice, Ng, 7000-10000Ft	9507 075 ^D	9507 074 ^D	9507 074 ^D	
050 d ^{*1}	Orifice, Lp, 0-4500Ft	9587 365 ^D	9517 340 ^D	9517 340 ^D	
050 e ^{*1}	Orifice, Lp, 4500-7000Ft	9521 775 ^D	9517 339 ^D	9517 339 ^D	
050 f ^{*1}	Orifice, Lp, 7000-10000Ft	9537 208 ^D	9507 653 ^D	9507 653 ^D	
052 a ^{*1} W	Orifice (Pilot), 0.38Mm	9507 084 ³	9507 084 ³	9507 084 ³	
052 b ^{*1} W	Orifice (Pilot), 0.24Mm	9507 085 ⁴	9507 085 ⁴	9507 085 ⁴	
053	Orifice Ring, D 10 x 14 x 1	9588 941 ^D	9588 941 ^D	9588 941 ^D	
054	Pilot Adaptor	9543 387 ⁵	9543 387 ⁵	9543 387 ⁵	continued

Vitogas 100	GS10-72	GS10-84	GS10-96	
--------------------	----------------	----------------	----------------	--

General Info	Price List Section:	2.4		
	Parts Catalog Section	09	(1/2002 -)	
	Series Name:	GS10		
	Applies to serials nos. beginning with:	7134130...+ 7134131...+ 7134132...+		
	Accurate as of:	07/01/2012		

Parts List

Please refer to: Parts List

Pos. Description Part Numbers / Price Categories

055	Insulation, Burner Tray	7819 271 ¹⁸	7819 272 ¹⁹	7819 273 ¹⁹	
056	Junction Box	7133 638 ¹⁸	7133 638 ¹⁸	7133 638 ¹⁸	
068	Ionization Cable	7133 780 ⁷	7133 780 ⁷	7133 780 ⁷	
069	Ignition Cable	7133 779 ⁹	7133 779 ⁹	7133 779 ⁹	
070	Install. Instr. Vitogas 100 GS10	5167 467 ^L	5167 467 ^L	5167 467 ^L	
071	Start-Up/Instal. Instr. Vitogas 100 GS10	5167 468 ^L	5167 468 ^L	5167 468 ^L	
072	Oper. Instr./User's Info Vitogas100 GS10	5167 469 ^L	5167 469 ^L	5167 469 ^L	
073	Touch-UP Spray Paint Vitotec SIL	7819 545 ⁹	7819 545 ⁹	7819 545 ⁹	
074	Touch-UP Paint Stk Vitotec SIL	7819 546 ⁵	7819 546 ⁵	7819 546 ⁵	
075 ^{*2}	Section, Intermed. (ASME)	7816 324 ³³	7816 324 ³³	7816 324 ³³	
076 ^{*2}	Section, Intermed. w3/4,1" Snsrwll/Dr	7816 326 ²⁶	7816 326 ²⁶	7816 326 ²⁶	
077 ^{*2}	Section, Intermed. w M8 GS10 (ASME)	7816 325 ³⁵	7816 325 ³⁵	7816 325 ³⁵	
078 ^{*2}	Section, Left (ASME)	7816 322 ^D	7816 322 ^D	7816 322 ^D	
079 ^{*2}	Section, Right (ASME)	7816 323 ³⁹	7816 323 ³⁹	7816 323 ³⁹	
080	Push Nipple (Set Of 2)	7818 467 ⁷	7818 467 ⁷	7818 467 ⁷	

Conversion Kits ^{*3}

167 a	Conv. Kit Ng > Lp (0-4500Ft)	7134 307 ¹³	7134 313 ¹³	7134 319 ¹³	
167 b	Conv. Kit Lp > Ng (0-4500Ft)	7134 308 ³⁰	7134 314 ³⁰	7134 320 ³⁰	
167 c	Conv. Kit Ng (0-4500 > 4500-7000Ft)	7134 309 ^D	7134 315 ^D	7134 321 ^D	
167 d	Conv. Kit Ng (0-4500 > 7000-10000Ft)	7134 310 ^D	7134 316 ^D	7134 322 ^D	
167 e	Conv. Kit Lp (0-4500 > 4500-7000Ft)	7134 311 ^D	7134 317 ^D	7134 323 ^D	
167 f	Conv. Kit Lp (0-4500 > 7000-10000Ft)	7134 312 ^D	7134 318 ^D	7134 324 ^D	

Notes:

***1 IMPORTANT:** If ordering replacement boiler sections, order 4 push nipples (#080) per intermediate section and 2 push nipples per side section.

***2 WARNING:** **Only** install orifice sizes as listed on the boiler rating plate. Do **NOT** use different orifices. **NEVER** attempt to convert one boiler model into another without using a Viessmann Conversion Kit.

***3 WARNING:** **Never** attempt conversions not listed above.

"n.a." indicates not applicable.

"W" indicates wearing part (service).

"L" indicates literature (no charge).

"Kit" or "Other" indicates that this is not a Price Category item; contact Inside Sales for pricing.

Parts List

VIESSMANN

Vitogas 100 GS10-72/84/96

Please file in Service Binder

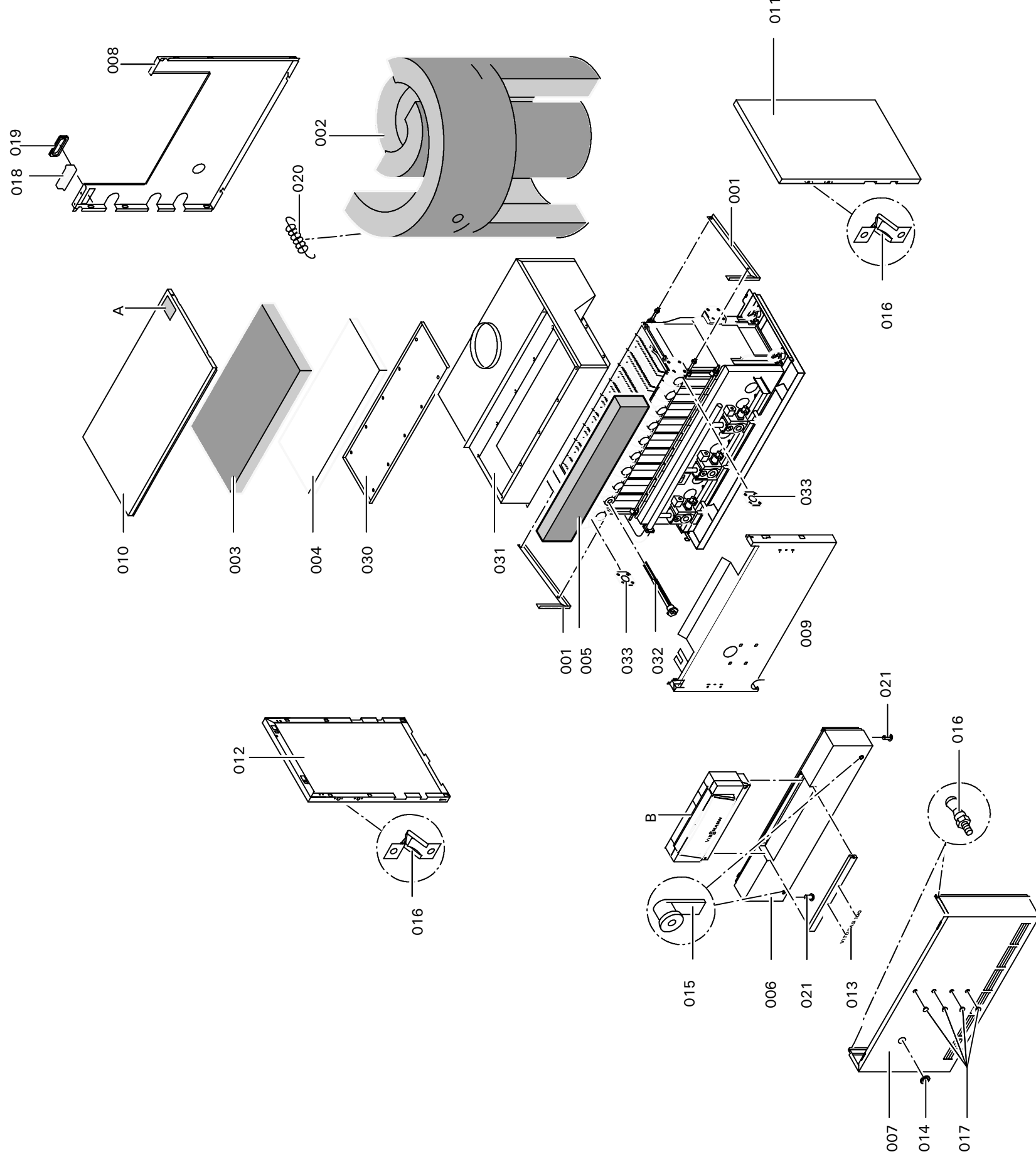
Ordering Replacement Parts:

Please provide boiler Model and Serial Number from rating plate when ordering replacement parts.
Order replacement parts from your Viessmann distributor.

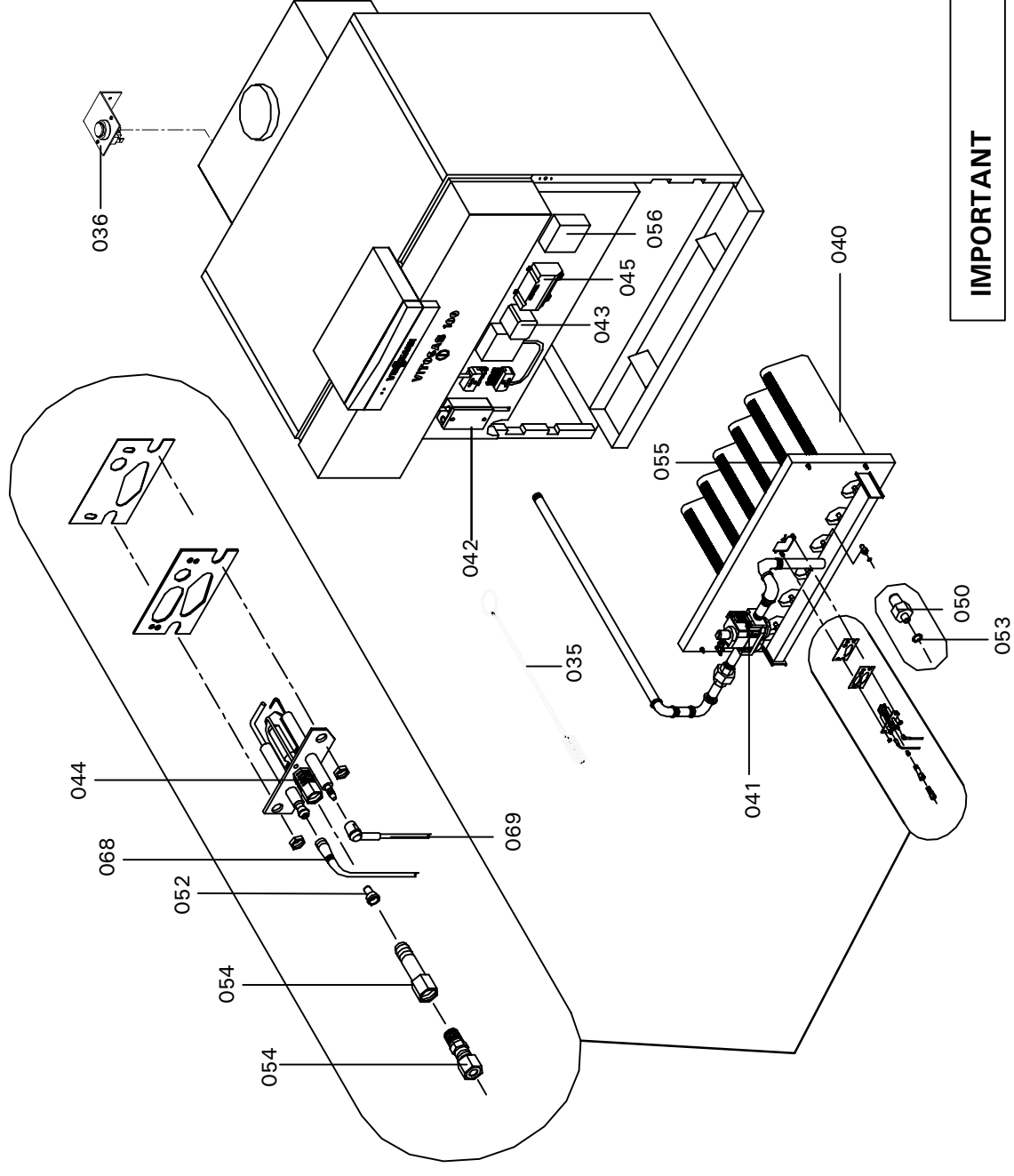
Parts

- 001 Mounting bracket, right/left
- 002 Insulation blanket
- 003 Insulation blanket, top
- 004 Insulation, draft hood
- 005 Insulation blanket, front
- 006 Front panel, top
- 007 Front panel, bottom
- 008 Rear panel
- 009 Mid panel
- 010 Top panel
- 011 Side panel, right
- 012 Side panel, left
- 013 Nameplate
- 014 Rubber cover
- 015 Lock mechanism
- 016 Access. pack (fr. panel hardw.)
- 017 Panel cap
- 018 8-Channel strain relief
- 019 Cover, edgemolding
- 020 Spring clip f insul. (set of 4)
- 021 Spacer
- 030 Coverplate, draft hood
- 031 Draft hood
- 032 Sensor well
- 033 Gasket, 110 x 110 x 3mm

Ⓑ Vitotronic boiler control, see Parts Lists for corresponding Vitotronic control.



- Parts**
- 035 Cleaning brush c/w handle
 - 036 Blocked vent safety switch
 - 040 Burner tube
 - 041 Gas valve (NG or LP)
 - 042 Ext. module, two-stage burner
 - 043 Transformer, 120/25v, 40va
 - 044 Pilot (no adaptor/no orifice)
 - 045 Ignition module
 - 050 Orifice
 - 052 Pilot orifice
 - 053 Orifice ring
 - 054 Viessmann pilot adaptor
 - 055 Insulation, burner tray
 - 056 Pump junction box (applicable only to Vitotronic 100)
 - 068 Ionization cable
 - 069 Ignition cable
- Parts (not illustrated)**
- 070 Installation Instructions
 - 071 Start-up/Service Instructions
 - 072 Operating Instructions/User's Information Manual
 - 073 Touch-up spray paint
 - 074 Touch-up paint



IMPORTANT
Components on mid panel may not be situated as illustrated.

Atola-RN Single-Stage	RN-140	RN-175	RN-210 SS	
------------------------------	---------------	---------------	----------------------	--

General Info Price List Section:
 Parts Catalog Section 09
 Series Name: Atola-RN (6/1997 - 9/2001)
 Applies to serials nos. beginning with:
 Accurate as of: 07/01/2012

Parts List

Please refer to: Parts List
 Pos. Description

Part Numbers / Price Categories

002	Top Panel	7330 608 ¹²	7330 609 ¹³	7330 610 ¹⁴	
003	Front Panel	7330 037 ¹⁹	7330 038 ¹⁹	7330 039 ²⁰	
005	Side Panel, Right	7333 234 ¹⁵	7333 234 ¹⁵	7333 234 ¹⁵	
006	Cable Guide	5135 674 ⁵	5135 674 ⁵	5135 674 ⁵	
007	Side Panel, Left	7333 233 ¹⁵	7333 233 ¹⁵	7333 233 ¹⁵	
009	Rear Panel	7333 662 ¹⁷	7333 663 ¹⁷	7330 445 ¹⁶	
012	Mounting Bracket, Right	7330 142 ⁷	7330 142 ⁷	7330 142 ⁷	
013	Mounting Bracket, Left	7812 204 ⁷	7812 204 ⁷	7812 204 ⁷	
015	Mid Panel	7332 842 ¹⁴	7332 843 ¹⁴	7332 844 ¹⁵	
016	Nylon Fitting	n.a. ^{n.a.}	n.a. ^{n.a.}	n.a. ^{n.a.}	
017	Door Clip	9500 630 ¹	9500 630 ¹	9500 630 ¹	
018	Mounting Panel f Cbl. Guide	5332 498 ¹⁰	5332 498 ¹⁰	5332 498 ¹⁰	
019	Spring Clip	5036 445 ²	5036 445 ²	5036 445 ²	
020	Insulation Blkt	5333 289 ¹⁵	5333 290 ¹⁶	5333 291 ¹⁶	
021	Insulation Blkt, Top	5137 119 ⁹	5137 120 ⁹	5137 121 ¹⁴	
023	Base Panel	5332 031 ⁹	5332 037 ⁹	5332 043 ⁹	
024	Cover Plate, Draft Hood	7812 813 ¹¹	7812 814 ¹²	7812 815 ¹²	
025	Access. Pack (Sm. Parts)	7238 544 ⁶	7238 544 ⁶	7238 544 ⁶	
026	Flame Rollout Switch 235 Deg. F	9543 729 ⁸	9543 729 ⁸	9543 729 ⁸	
027	Draft Hood	7518 123 ²⁷	7518 017 ^D	7518 105 ²⁹	
029	Cover Plate, Flue Dmpr	7814 668 ³	7814 668 ³	7814 668 ³	
032	Flue Damper Motor, 120V	7404 891 ³⁷	7404 891 ³⁷	7404 891 ³⁷	
033	Flue Damper Blade	7813 083 ¹⁴	7813 084 ¹⁴	7813 085 ¹³	
035	Sensor Well	7251 557 ¹²	7251 557 ¹²	7251 557 ¹²	
036	Sight Glass (Glass w Bracket)	7380 261 ⁵	7380 261 ⁵	7380 261 ⁵	
037 ^{*1} W	Renox Rod, D = 6 x 190mm	7810 607 ⁵	7810 607 ⁵	7810 607 ⁵	
038	Manifold	7383 457 ²⁷	7383 458 ²⁸	7383 459 ²⁸	
039 ^{*1} W	Renox Rod, D = 6 x 220mm	7810 564 ⁵	7810 564 ⁵	7810 564 ⁵	
040	Gas Burner Subassembly	n.a. ^{n.a.}	n.a. ^{n.a.}	n.a. ^{n.a.}	
041	Burner Tube	7815 540 ¹²	7815 540 ¹²	7815 540 ¹²	
042	Insulation, Burner Tray	5153 178 ⁷	5153 179 ⁸	5153 180 ⁸	
043	Gas Valve NG, ½" x ½"	9543 730 ²³	9543 730 ²³	9543 730 ²³	
044	Gas Valve LP, ½" x ½"	7374 693 ²³	7374 693 ²³	7374 693 ²³	
049	Burner Tube, Pilot	7815 653 ¹⁰	7815 653 ¹⁰	7815 653 ¹⁰	
056	Touch-UP Spray Paint Classic GRY	9501 512 ⁹	9501 512 ⁹	9501 512 ⁹	
057	Touch-UP Paint Stk Classic GRY	9501 515 ^D	9501 515 ^D	9501 515 ^D	
059	Touch-UP Spray Paint Classic ORG	9583 575 ⁹	9583 575 ⁹	9583 575 ⁹	
060	Touch-UP Paint Stk Classic ORG	9588 907 ⁵	9588 907 ⁵	9588 907 ⁵	
062 a	Orifice, Ng, 0-2000Ft	9507 074 ^D	9507 074 ^D	9507 074 ^D	
062 b	Orifice, Ng, 2000-4500Ft	9507 072 ^D	9507 072 ^D	9507 072 ^D	
062 c	Orifice, Ng, 4500-7000Ft	9507 071 ^D	9507 071 ^D	9507 071 ^D	
062 d	Orifice, Lp, 0-2000Ft	9507 641 ^D	9507 641 ^D	9507 641 ^D	
062 e	Orifice, Lp, 2000-4500Ft	9507 652 ^D	9507 652 ^D	9507 652 ^D	
062 f	Orifice, Lp, 4500-7000Ft	5380 549 ^D	5380 549 ^D	5380 549 ^D	
063 a W	Orifice (Pilot), 0.26Mm Ng	7819 195 ⁴	7819 195 ⁴	7819 195 ⁴	

Atola-RN Single-Stage	RN-140	RN-175	RN-210 SS	
------------------------------	---------------	---------------	----------------------	--

General Info Price List Section:
 Parts Catalog Section 09
 Series Name: Atola-RN (6/1997 - 9/2001)
 Applies to serials nos. beginning with:
 Accurate as of: 07/01/2012

Parts List

Please refer to: Parts List
 Pos. Description

Part Numbers / Price Categories

063 b W	Orifice (Pilot), 0.24Mm Lp	9507 085 ⁴	9507 085 ⁴	9507 085 ⁴	continued
070	Cleaning Brush	9507 137 ⁷	9507 137 ⁷	9507 137 ⁷	
073	Ignition Cable	7133 779 ⁹	7133 779 ⁹	7133 779 ⁹	
074	Pilot Adaptor	9543 387 ⁵	9543 387 ⁵	9543 387 ⁵	
076 W	Pilot Assly (w NG/LP orif)	7134 275 ¹⁶	7134 275 ¹⁶	7134 275 ¹⁶	
079	Cover f Test Port	7815 274 ¹	7815 274 ¹	7815 274 ¹	
083	Gasket 80 x 80 x 3mm	7827 781 ⁵	7827 781 ⁵	7827 781 ⁵	
084	Transformer, 120 / 25v, 40VA	9544 134 ¹¹	9544 134 ¹¹	9544 134 ¹¹	
086	Ignition Module	7134 953 ²⁴	7134 953 ²⁴	7134 953 ²⁴	
090	Support Panel	5332 032 ⁸	7330 347 ¹³	7330 744 ¹²	
091	Press. Gage, 0-100PSI 2"	9542 939 ⁵	9542 939 ⁵	9542 939 ⁵	
092	Pr.Rel Valve, 3/4" (FF) 30PSI	9542 940 ⁸	9542 940 ⁸	9542 940 ⁸	
093	Ionization Cable	7133 780 ⁷	7133 780 ⁷	7133 780 ⁷	
094	Vent Pipe Adaptor	9544 177 ⁷	9544 177 ⁷	9544 178 ^D	
095	Air Vent w Shut-off Base	9542 941 ⁸	9542 941 ⁸	9542 941 ⁸	
096	Blocked Vent Switch 200Deg.F	9543 719 ⁸	9543 719 ⁸	9543 719 ⁸	
097	Safety Header	7133 199 ²³	7133 199 ²³	7133 199 ²³	
100	Install. Instr. Atola-RN 140 - 385	5167 116 ^L	5167 116 ^L	5167 116 ^L	
101	Maint. Check/Serv. Instr. Atola RN140-	5167 117 ^L	5167 117 ^L	5167 117 ^L	
102	Operating Instr. Atola RN 140 - 385	5167 118 ^L	5167 118 ^L	5167 118 ^L	
103	Parts List Atola-RN 140 - 175	5167 119 ^L	5167 119 ^L	5167 119 ^L	

Notes:

- *1 IMPORTANT: For NG models only.
- "n.a." indicates not applicable.
- "W" indicates wearing part (service).
- "L" indicates literature (no charge).
- "Kit" or "Other" indicates that this is not a Price Category item; contact Inside Sales for pricing.
- "D" indicates discontinued.

Atola-RN Natural gas or propane Model Nos. RN-140 and RN-175

Attention Mechanical Contractor or Service Company:

Please provide boiler Model and Serial Number from rating plate when ordering replacement parts.

Please file in Service Binder

Parts

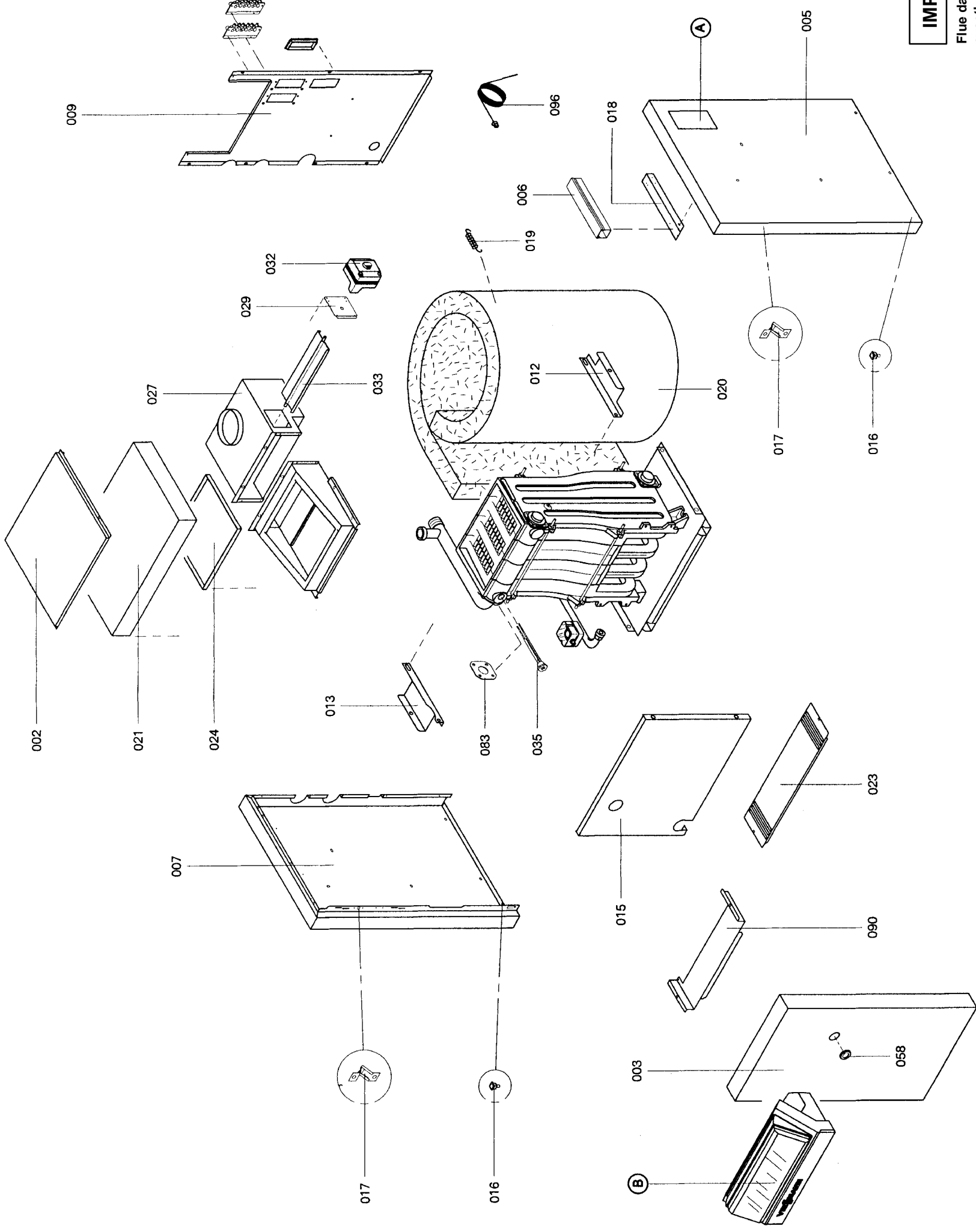
Insulation and panels consisting of items 002 through 023, 046, 048, 058, 078 and 090.

- 002 Top panel
- 003 Front panel
- 005 Side panel, right
- 006 Cable guide
- 007 Side panel, left
- 009 Rear panel
- 012 Mounting bracket, right
- 013 Mounting bracket, left
- 015 Mid panel
- 016 Nylon fitting
- 017 Door clip
- 018 Mounting panel for cable guide
- 019 Spring clip for insulation blanket
- 020 Insulation blanket, cast-iron block
- 021 Insulation blanket, top
- 023 Base panel
- 024 Cover plate, draft hood
- 027 Draft hood assembly (with item 029)
- 029 Cover plate for flue damper
- 032 Flue damper motor
- 033 Flue damper blade
- 035 Sensor well
- 058 n.a.
- 083 Gasket 80 x 80 x 3
- 090 Support panel for control
- 096 Blocked vent switch
- 097 n.a.
- 098 n.a.

(A) n.a.

(B) Boiler control
(see separate literature)

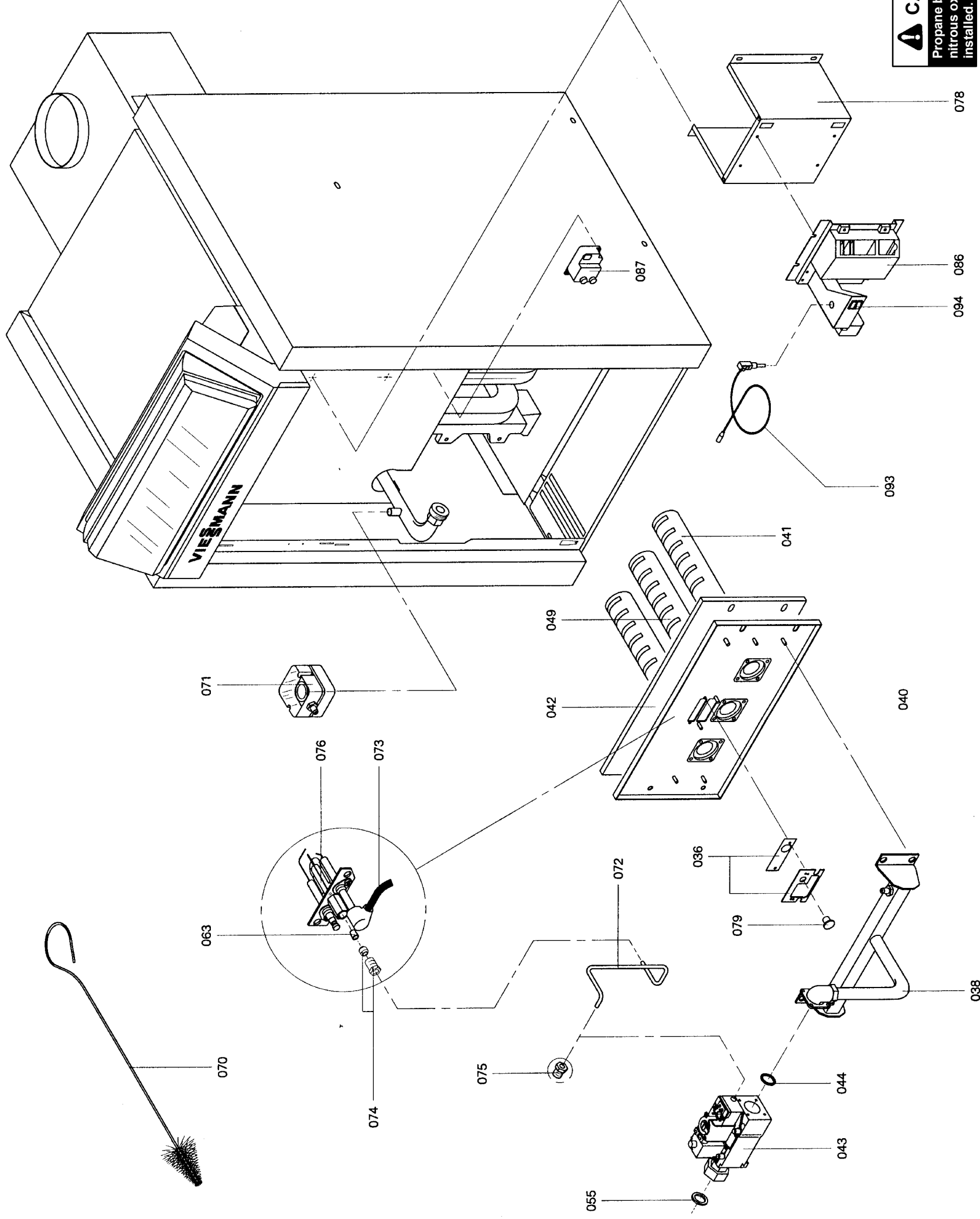
n.a. Not applicable in North America



IMPORTANT

Flue damper motor may not be exactly as illustrated.

CAUTION
 Propane boiler must not have Renox nitrous oxide reducing burner inserts installed.



Parts List

- 036 Sight glass (with frame and item 079)
 - 038 Manifold (no orifices)
 - 040 Gas burner subassembly. (with items 036, 041, 042, 049, 076 and 079)
 - 041 Burner tube
 - 042 Insulation for burner tray
 - 043 Gas valve
 - 044 n.a.
 - 049 Pilot burner tube
 - 055 n.a.
 - 063 Pilot burner orifice
 - 070 Cleaning brush
 - 071 n.a.
 - 072 Pilot gas tube
 - 073 Ignition cable
 - 074 Pilot adaptor
 - 075 Breakaway ferrule (with 1/4" brass compression fitting for pilot tubing)
 - 076 Pilot (no adaptor, no orifice)
 - 078 n.a.
 - 079 Cover for test port
 - 086 Ignition module
 - 087 n.a.
 - 093 Ionization cable
 - 094 n.a.
- Other Parts (not illustrated)
- 037 Renox rod (190 mm length)
 - 039 Renox rod (220 mm length)
 - 100 Installation Instructions
 - 101 Maintenance Checklist/Service Instructions
 - 102 Operating Instructions and User's Information Manual and User's Information Manual
 - 103 Parts List (RN-140/175/210 SS)
 - 056 Spray paint, light grey
 - 057 Touch-up paint, light grey
 - 059 Spray paint, orange
 - 060 Touch-up paint, orange
- n.a. Not applicable in North America

Atola-RN Two-Stage	RN-210 TS	RN-245	RN-280	RN-315
--------------------	--------------	--------	--------	--------

General Info	Price List Section:			
	Parts Catalog Section	09		
	Series Name:	Atola-RN	(6/1997 - 9/2001)	
	Applies to serials nos. beginning with:			
	Accurate as of:	07/01/2012		

Parts List

Please refer to: Parts List

Pos. Description Part Numbers / Price Categories

002	Cover Panel, Right Side Rear	5332 891 ⁶	5332 891 ⁶	5332 891 ⁶	5332 891 ⁶
003	Top Front Panel	7330 244 ¹⁸	7330 244 ¹⁸	7330 245 ¹⁸	7330 246 ¹⁸
004	Lower Front Panel	7330 175 ¹⁶	7330 175 ¹⁶	7330 180 ¹⁷	7330 185 ¹⁹
005	Side Panel, Right	7330 173 ¹⁶	7330 173 ¹⁶	7330 173 ¹⁶	7330 173 ¹⁶
006	Cable Guide	5135 674 ⁵	5135 674 ⁵	5135 674 ⁵	5135 674 ⁵
007	Side Panel, Left	7330 172 ¹⁶	7330 172 ¹⁶	7330 172 ¹⁶	7330 172 ¹⁶
008	Cover Panel, Left Side Rear	5332 890 ⁶	5332 890 ⁶	5332 890 ⁶	5332 890 ⁶
009	Rear Panel	7332 290 ¹⁶	7332 290 ¹⁶	7332 291 ¹⁶	7332 292 ¹⁷
010	Baffle	5137 686 ⁸	5137 686 ⁸	5137 687 ⁹	5137 688 ⁹
011	Clip f Door Pin	9507 209 ^D	9507 209 ^D	9507 209 ^D	9507 209 ^D
012	Mounting Bracket, Right	7235 753 ⁷	7235 753 ⁷	7235 753 ⁷	7235 753 ⁷
013	Mounting Bracket, Left	7230 237 ⁷	7230 237 ⁷	7230 237 ⁷	7230 237 ⁷
014	Cable Guide, 270mm, GRY	5136 722 ⁴	5136 722 ⁴	5136 722 ⁴	5136 722 ⁴
015	Mid Panel	7333 427 ¹⁷	7333 428 ¹⁷	7333 429 ¹⁷	7333 430 ¹⁸
018	Mounting Panel f Cable Guide	7330 889 ⁷	7330 889 ⁷	7330 889 ⁷	7330 889 ⁷
019	Spring Clip	5036 445 ²	5036 445 ²	5036 445 ²	5036 445 ²
020	Insulation Blkt	5332 581 ¹⁸	5332 582 ¹⁸	5332 583 ¹⁹	5332 584 ¹⁹
021	Insulation Blkt, Top	5137 659 ⁸	5137 660 ⁸	5137 661 ⁹	5137 662 ⁹
022	Insulation	5138 684 ¹⁰	5131 806 ¹⁰	5131 807 ¹¹	5131 808 ¹¹
024	Cover Plate, Draft Hood	7813 319 ¹³	7250 820 ¹⁴	7250 821 ¹⁴	7250 822 ¹⁴
025	Plastic Door Pin	5204 703 ³	5204 703 ³	5204 703 ³	5204 703 ³
026	Flame Rollout Switch 235 Deg. F	9543 729 ⁸	9543 729 ⁸	9543 729 ⁸	9543 729 ⁸
027	Draft Hood	7518 030 ³¹	7518 031 ^D	7518 032 ^D	7518 033 ^D
028	Rubber Washer f Door Pins	9507 210 ¹	9507 210 ¹	9507 210 ¹	9507 210 ¹
029	Cover Plate, Draft Hood	5150 299 ⁶	5150 299 ⁶	5150 299 ⁶	5150 299 ⁶
032	Flue Damper Motor, 120V	7404 891 ³⁷	7404 891 ³⁷	7404 891 ³⁷	7404 891 ³⁷
033	Flue Damper Blade	7253 544 ¹³	7253 415 ¹⁴	7253 416 ¹⁴	7253 417 ¹⁴
035	Sensor Well	7251 557 ¹²	7251 557 ¹²	7251 557 ¹²	7251 557 ¹²
036	Sight Glass (Glass w Bracket)	7380 261 ⁵	7380 261 ⁵	7380 261 ⁵	7380 261 ⁵
037 ^{*1} W	Renox Rod, D = 6 x 190mm	7810 607 ⁵	7810 607 ⁵	7810 607 ⁵	7810 607 ⁵
038	Manifold, Right	7383 460 ²⁸	7383 460 ²⁸	7383 462 ²⁹	7383 462 ²⁹
039 ^{*1} W	Renox Rod, D = 6 x 220mm	7810 564 ⁵	7810 564 ⁵	7810 564 ⁵	7810 564 ⁵
040	Gas Burner Subassembly	n.a. ^{n.a.}	n.a. ^{n.a.}	n.a. ^{n.a.}	n.a. ^{n.a.}
041	Burner Tube	7815 540 ¹²	7815 540 ¹²	7815 540 ¹²	7815 540 ¹²
042	Insulation, Burner Tray	5153 180 ⁸	5153 155 ⁹	5153 156 ⁹	7810 686 ¹⁰
043	Gas Valve NG, ½" x ½"	9543 730 ²³	9543 730 ²³	9543 730 ²³	9543 730 ²³
044	Gas Valve LP, ½" x ½"	7374 693 ²³	7374 693 ²³	7374 693 ²³	7374 693 ²³
056	Touch-UP Spray Paint Classic GRY	9501 512 ⁹	9501 512 ⁹	9501 512 ⁹	9501 512 ⁹
057	Touch-UP Paint Stk Classic GRY	9501 515 ^D	9501 515 ^D	9501 515 ^D	9501 515 ^D
059	Touch-UP Spray Paint Classic ORG	9583 575 ⁹	9583 575 ⁹	9583 575 ⁹	9583 575 ⁹
060	Touch-UP Paint Stk Classic ORG	9588 907 ⁵	9588 907 ⁵	9588 907 ⁵	9588 907 ⁵
062 a	Orifice, 2.75mm Hex-12	9507 074 ^D	9507 074 ^D	9507 074 ^D	9507 074 ^D
062 b	Orifice, 2.65mm Hex-12	9507 072 ^D	9507 072 ^D	9507 072 ^D	9507 072 ^D
062 c	Orifice, 2.55mm Hex-12	9507 071 ^D	9507 071 ^D	9507 071 ^D	9507 071 ^D
062 d	Orifice, 1.70mm Hex-12	9507 641 ^D	9507 641 ^D	9507 641 ^D	9507 641 ^D

Atola-RN Two-Stage	RN-210 TS	RN-245	RN-280	RN-315
---------------------------	----------------------	---------------	---------------	---------------

General Info Price List Section:
 Parts Catalog Section 09
 Series Name: Atola-RN (6/1997 - 9/2001)
 Applies to serials nos. beginning with:
 Accurate as of: 07/01/2012

Parts List

Please refer to: Parts List
 Pos. Description

Part Numbers / Price Categories

				continued
062 e	Orifice, 1.60mm Hex-12	9507 652 ^D	9507 652 ^D	9507 652 ^D
062 f	Orifice, 1.50mm Hex-14	5380 549 ^D	5380 549 ^D	5380 549 ^D
063 a W	Orifice Pilot, 0.38mm (NG)	7819 195 ⁴	7819 195 ⁴	7819 195 ⁴
063 b W	Orifice Pilot, 0.24mm (LP)	9507 085 ⁴	9507 085 ⁴	9507 085 ⁴
070	Cleaning Brush	9507 137 ⁷	9507 137 ⁷	9507 137 ⁷
073	Ignition Cable	7133 779 ⁹	7133 779 ⁹	7133 779 ⁹
074	Pilot Adaptor	9543 387 ⁵	9543 387 ⁵	9543 387 ⁵
076 W	Pilot Assly (w NG/LP orif)	7134 275 ¹⁶	7134 275 ¹⁶	7134 275 ¹⁶
079	Cover f Test Port	7815 274 ¹	7815 274 ¹	7815 274 ¹
080	Manifold	7383 459 ²⁸	7383 461 ²⁹	7383 463 ³¹
081	Burner Tube, Pilot	7815 653 ¹⁰	7815 653 ¹⁰	7815 653 ¹⁰
083	Gasket 80 x 80 x 3mm	7827 781 ⁵	7827 781 ⁵	7827 781 ⁵
084	Gasket, 47.5 x 61 x 2mm	9507 111 ³	9507 111 ³	9507 111 ³
086	Ignition Module	7134 953 ²⁴	7134 953 ²⁴	7134 953 ²⁴
087	Transformer, 120 / 25v, 40VA	9544 134 ¹¹	9544 134 ¹¹	9544 134 ¹¹
090	Support Panel	7330 343 ¹²	7330 343 ¹²	7330 344 ¹²
091	Press. Gage, 0-100PSI 2"	9542 939 ⁵	9542 939 ⁵	9542 939 ⁵
092	Top Panel	7330 903 ¹⁶	7330 239 ¹⁴	7330 240 ¹⁵
093	Ionization Cable	7133 780 ⁷	7133 780 ⁷	7133 780 ⁷
094	Vent Pipe Adaptor	9544 178 ^D	9544 178 ^D	9544 179 ¹⁰
095	Air Vent w Shut-off Base	9542 941 ⁸	9542 941 ⁸	9542 941 ⁸
096	Blocked Vent Switch 200Deg.F	9543 719 ⁸	9543 719 ⁸	9543 719 ⁸
097	Safety Header	7133 199 ²³	7133 199 ²³	7133 199 ²³
098	Pr.Rel Valve, 3/4" (FF) 30PSI	9542 940 ⁸	9542 940 ⁸	9542 940 ⁸
099	Manifold, Upper	7256 174 ²⁸	7256 175 ⁵	7256 176 ²⁸
100	Install. Instr. Atola-RN 140 - 385	5167 116 ^L	5167 116 ^L	5167 116 ^L
101	Maint. Check/Serv. Instr. Atola RN140-385	5167 117 ^L	5167 117 ^L	5167 117 ^L
102	Operating Instr. Atola RN 140 - 385	5167 118 ^L	5167 118 ^L	5167 118 ^L
103	Parts List Atola-RN 210 - 385	5167 145 ^L	5167 145 ^L	5167 145 ^L

Notes:

- *1 IMPORTANT: For NG models only.
- "n.a." indicates not applicable.
- "W" indicates wearing part (service).
- "L" indicates literature (no charge).
- "Kit" or "Other" indicates that this is not a Price Category item; contact Inside Sales for pricing.
- "D" indicates discontinued.

Atola-RN Two-Stage	RN-350	RN-385	
---------------------------	---------------	---------------	--

General Info Price List Section:
 Parts Catalog Section 09
 Series Name: Atola-RN (6/1997 - 9/2001)
 Applies to serials nos. beginning with:
 Accurate as of: 07/01/2012

Parts List

Please refer to: Parts List
 Pos. Description

Part Numbers / Price Categories

002	Cover Panel, Right Side Rear	5332 891 ⁶	5332 891 ⁶		
003	Top Front Panel	7330 247 ¹⁹	7330 248 ¹⁸		
004	Lower Front Panel	7330 190 ¹⁹	7330 195 ¹⁹		
005	Side Panel, Right	7330 173 ¹⁶	7330 173 ¹⁶		
006	Cable Guide	5135 674 ⁵	5135 674 ⁵		
007	Side Panel, Left	7330 172 ¹⁶	7330 172 ¹⁶		
008	Cover Panel, Left Side Rear	5332 890 ⁶	5332 890 ⁶		
009	Rear Panel	7332 293 ¹⁷	7332 294 ¹⁸		
010	Baffle	5137 689 ⁹	5137 690 ⁸		
011	Clip f Door Pin	9507 209 ^D	9507 209 ^D		
012	Mounting Bracket, Right	7235 753 ⁷	7235 753 ⁷		
013	Mounting Bracket, Left	7230 237 ⁷	7230 237 ⁷		
014	Cable Guide, 270mm, GRY	5136 722 ⁴	5136 722 ⁴		
015	Mid Panel	7333 431 ¹⁸	7333 432 ¹⁹		
018	Mounting Panel f Cable Guide	7330 889 ⁷	7330 889 ⁷		
019	Spring Clip	5036 445 ²	5036 445 ²		
020	Insulation Blkt	5332 585 ²⁰	5332 586 ²⁰		
021	Insulation Blkt, Top	5137 663 ¹⁰	5137 664 ¹⁰		
022	Insulation	5131 809 ¹²	5131 810 ¹²		
024	Cover Plate, Draft Hood	7250 823 ¹⁴	7250 824 ¹⁵		
025	Plastic Door Pin	5204 703 ³	5204 703 ³		
026	Flame Rollout Switch 235 Deg. F	9543 729 ⁸	9543 729 ⁸		
027	Draft Hood	7518 034 ^D	7518 035 ^D		
028	Rubber Washer f Door Pins	9507 210 ¹	9507 210 ¹		
029	Cover Plate, Draft Hood	5150 299 ⁶	5150 299 ⁶		
032	Flue Damper Motor, 120V	7404 891 ³⁷	7404 891 ³⁷		
033	Flue Damper Blade	7813 063 ¹⁵	7253 419 ¹⁵		
035	Sensor Well	7251 557 ¹²	7251 557 ¹²		
036	Sight Glass (Glass w Bracket)	7380 261 ⁵	7380 261 ⁵		
037 ^{*1} W	Renox Rod, D = 6 x 190mm	7810 607 ⁵	7810 607 ⁵		
038	Manifold, Right	7383 464 ³¹	7383 464 ³¹		
039 ^{*1} W	Renox Rod, D = 6 x 220mm	7810 564 ⁵	7810 564 ⁵		
040	Gas Burner Subassembly	n.a. ^{n.a.}	n.a. ^{n.a.}		
041	Burner Tube	7815 540 ¹²	7815 540 ¹²		
042	Insulation, Burner Tray	5153 158 ¹⁰	5153 159 ¹⁰		
043	Gas Valve NG, ½" x ½"	9543 730 ²³	9543 730 ²³		
044	Gas Valve LP, ½" x ½"	7374 693 ²³	7374 693 ²³		
056	Touch-UP Spray Paint Classic GRY	9501 512 ⁹	9501 512 ⁹		
057	Touch-UP Paint Stk Classic GRY	9501 515 ^D	9501 515 ^D		
059	Touch-UP Spray Paint Classic ORG	9583 575 ⁹	9583 575 ⁹		
060	Touch-UP Paint Stk Classic ORG	9588 907 ⁵	9588 907 ⁵		
062 a	Orifice, 2.75mm Hex-12	9507 074 ^D	9507 074 ^D		
062 b	Orifice, 2.65mm Hex-12	9507 072 ^D	9507 072 ^D		
062 c	Orifice, 2.55mm Hex-12	9507 071 ^D	9507 071 ^D		
062 d	Orifice, 1.70mm Hex-12	9507 641 ^D	9507 641 ^D		

Atola-RN Two-Stage	RN-350	RN-385	
---------------------------	---------------	---------------	--

General Info Price List Section:
 Parts Catalog Section 09
 Series Name: Atola-RN (6/1997 - 9/2001)
 Applies to serials nos. beginning with:
 Accurate as of: 07/01/2012

Parts List

Please refer to: Parts List
 Pos. Description

Part Numbers / Price Categories

Pos.	Description	Part Numbers	Price Categories	
				continued
062 e	Orifice, 1.60mm Hex-12	9507 652 ^D	9507 652 ^D	
062 f	Orifice, 1.50mm Hex-14	5380 549 ^D	5380 549 ^D	
063 a W	Orifice Pilot, 0.38mm (NG)	7819 195 ⁴	7819 195 ⁴	
063 b W	Orifice Pilot, 0.24mm (LP)	9507 085 ⁴	9507 085 ⁴	
070	Cleaning Brush	9507 137 ⁷	9507 137 ⁷	
073	Ignition Cable	7133 779 ⁹	7133 779 ⁹	
074	Pilot Adaptor	9543 387 ⁵	9543 387 ⁵	
076 W	Pilot Assly (w NG/LP orif)	7134 275 ¹⁶	7134 275 ¹⁶	
079	Cover f Test Port	7815 274 ¹	7815 274 ¹	
080	Manifold	7383 463 ³¹	7383 465 ³²	
081	Burner Tube, Pilot	7815 653 ¹⁰	7815 653 ¹⁰	
083	Gasket 80 x 80 x 3mm	7827 781 ⁵	7827 781 ⁵	
084	Gasket, 47.5 x 61 x 2mm	9507 111 ³	9507 111 ³	
086	Ignition Module	7134 953 ²⁴	7134 953 ²⁴	
087	Transformer, 120 / 25v, 40VA	9544 134 ¹¹	9544 134 ¹¹	
090	Support Panel	7330 346 ¹²	7330 347 ¹³	
091	Press. Gage, 0-100PSI 2"	9542 939 ⁵	9542 939 ⁵	
092	Top Panel	7330 242 ¹⁵	7330 243 ¹⁶	
093	Ionization Cable	7133 780 ⁷	7133 780 ⁷	
094	Vent Pipe Adaptor	9544 179 ¹⁰	9544 179 ¹⁰	
095	Air Vent w Shut-off Base	9542 941 ⁸	9542 941 ⁸	
096	Blocked Vent Switch 200Deg.F	9543 719 ⁸	9543 719 ⁸	
097	Safety Header	7133 199 ²³	7133 199 ²³	
098	Pr.Rel Valve, 3/4" (FF) 30PSI	9542 940 ⁸	9542 940 ⁸	
099	Manifold, Upper	7256 177 ²⁸	7256 178 ²⁸	
100	Install. Instr. Atola-RN 140 - 385	5167 116 ^L	5167 116 ^L	
101	Maint. Check/Serv. Instr.Atola RN140-385	5167 117 ^L	5167 117 ^L	
102	Operating Instr. Atola RN 140 - 385	5167 118 ^L	5167 118 ^L	
103	Parts List Atola-RN 210 - 385	5167 145 ^L	5167 145 ^L	

Notes:
 *1 IMPORTANT: For NG models only.
 "n.a." indicates not applicable.
 "W" indicates wearing part (service).
 "L" indicates literature (no charge).
 "Kit" or "Other" indicates that this is not a Price Category item;
 "D" indicates discontinued.

Parts List



Please file in Service Binder

Atola-RN Natural gas or propane Model Nos. RN-210 to RN-385

Attention Mechanical Contractor or Service Company:

Please provide boiler Model and Serial Number from rating plate when ordering replacement parts.

Parts

Insulation and panels consisting of items 002 through 022, 025, 028, 058, 090, 092, 097 and 098.

002 Cover panel, right side rear

003 Top front panel

004 Lower front panel

005 Side panel, right

006 Cable guide

007 Side panel, left

008 Cover panel, left side rear

009 Rear panel

010 Baffle

011 Clip for door pin

012 Mounting bracket, right

013 Mounting bracket, left

014 Cable guide with cover

015 Mid panel

018 Mounting panel for cable guide

019 Spring clip for insulation blanket

020 Insulation blanket, cast-iron block

021 Insulation blanket, top

022 Insulation for draft hood

024 Cover plate for draft hood

025 Plastic door pin

027 Draft hood assembly

(with items 024 and 029)

028 Door pin washer

029 Cover plate for draft hood

032 Flue damper motor

033 Flue damper blade

035 Sensor well

058 n.a.

083 Gasket 80 × 80 × 3

084 Gasket 47,5 × 61 × 2

085 n.a.

086 Ignition module

090 Support panel for control

092 Top panel

093 Ionization cable

094 n.a.

096 Blocked vent switch (2 switches for

boilers with two-stage manifold)

097 n.a.

098 n.a.

(A)

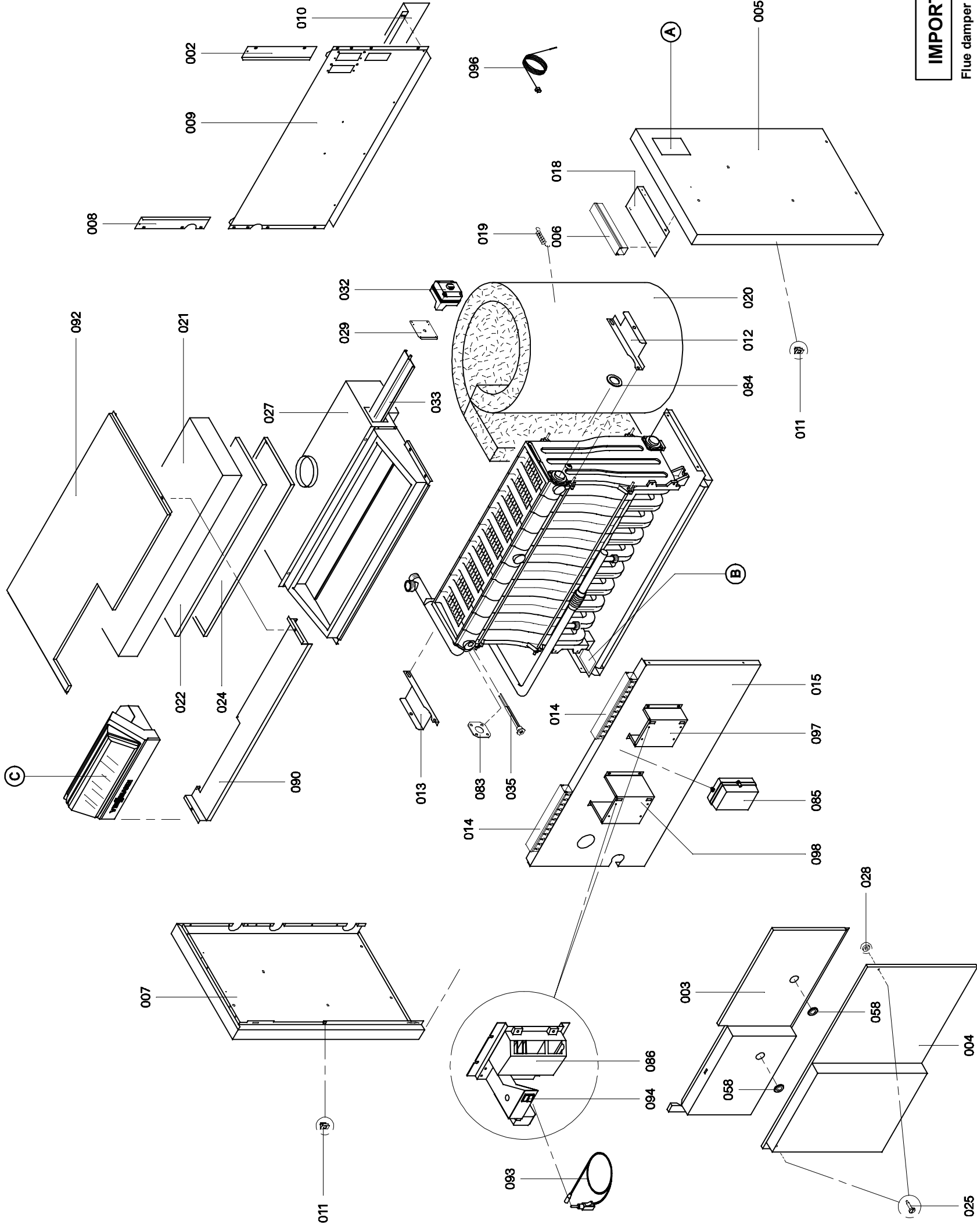
(B)

(C)

Boiler control

(see separate literature)

n.a. Not applicable in North America

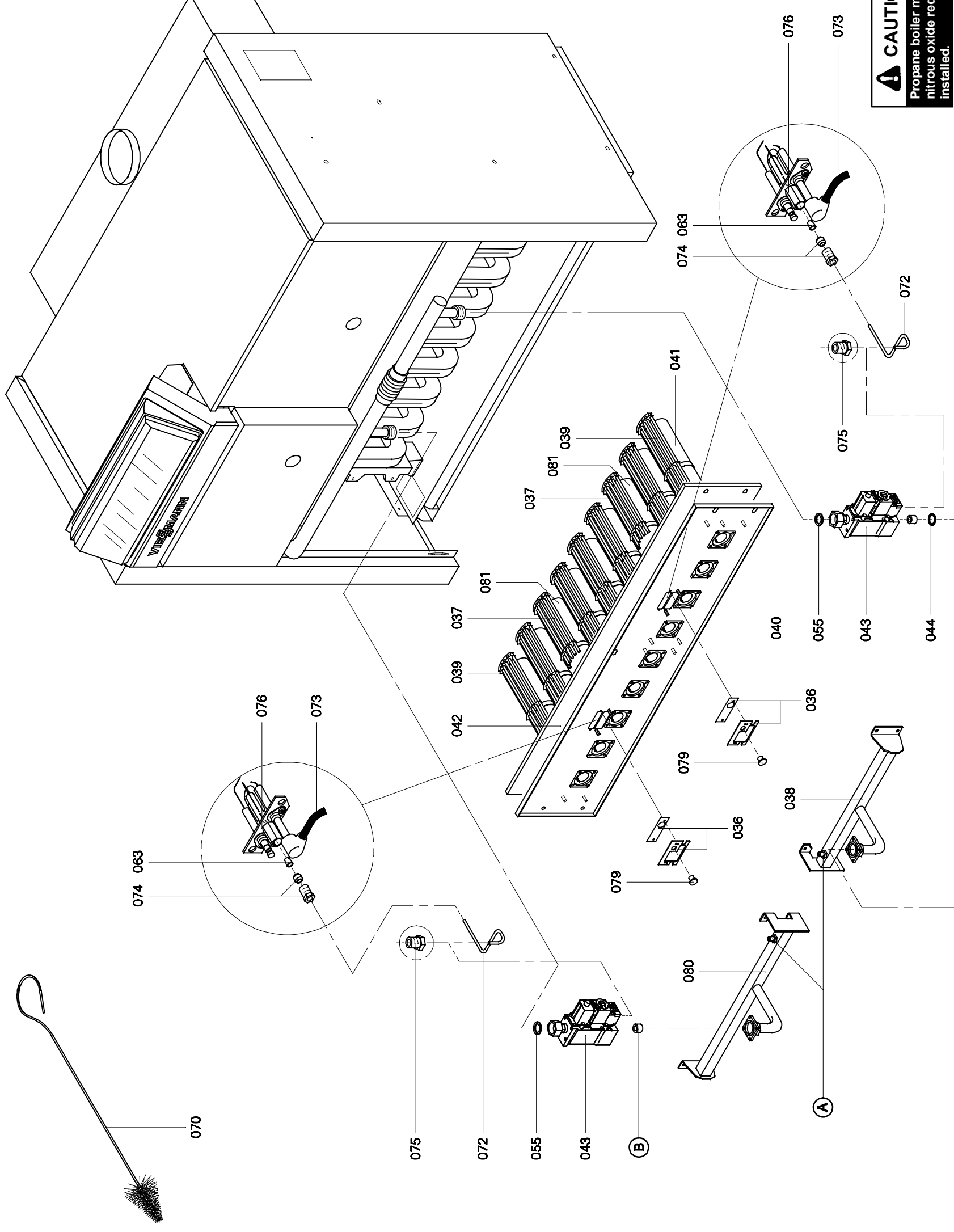


Parts List

- 036 Sight glass (with frame and item 079)
 - 037 Renox rod (length 7½" / 190 mm)
 - 038 Manifold, right (with no orifices)
 - 039 Renox rod (length 8¾" / 220 mm)
 - 040 Gas burner subassembly. (with items 036, 037, 039, 041, 042, 076, 079 and 081)
 - 041 Burner tube
 - 042 Insulation, burner tray
 - 043 Gas valve
 - 055 n.a.
 - 063 Pilot burner orifice
 - 070 Cleaning brush
 - 072 Pilot gas tube
 - 073 Ignition cable
 - 074 Pilot adaptor
 - 075 Breakaway ferrule (with ¼" brass compression fitting for pilot tubing)
 - 076 Pilot (no adaptor, no orifice)
 - 079 Cover for test port
 - 080 Manifold, left (no orifices)
 - 081 Pilot burner tube (unique to this particular burner!)
- Other Parts (not illustrated)
- 100 Installation Instructions
 - 101 Maintenance Checklist/Service Instructions
 - 102 Operating Instructions and User's Information Manual
 - 103 Parts List (RN-210 TS to RN-385)
 - 056 Spray paint, light grey
 - 057 Touch-up paint, light grey
 - 059 Spray paint, orange
 - 060 Touch-up paint, orange

- (A) Gas pressure measurement port
- (B) Gas aperture

n.a. Not applicable in North America



CAUTION

Propane boiler must not have Renox nitrous oxide reducing burner inserts installed.

VITODENS 100-W

Vitodens 100-W		WB1B 26	WB1B 35	WB1Bc 26	WB1Bc 35
		7160 792	7160 793	7459 301	7459 302
General Info	Price List Section:	2.5			
	Parts Catalog Section:	10			
	Series Name:	WB1B			
	Applies to serials nos. beginning with:	7374861...	7374862...	7457960...	7457961...
	Accurate as of:	07/01/2012			

Parts List

Please refer to: Parts List
Pos. Description

Part Numbers / Price Categories

Pos.	Description	7831 385 ⁵³	7831 385 ⁵³	7831 385 ⁵³	7831 385 ⁵³
001	Heat Exchanger Assly, ASME	7831 385 ⁵³	7831 385 ⁵³	7831 385 ⁵³	7831 385 ⁵³
002	Heating Supply Conn. Pipe (Ht.Exch)	7831 386 ¹⁸	7831 386 ¹⁸	7831 386 ¹⁸	7831 386 ¹⁸
003	Heating Return Conn. Pipe (Ht.Exch)	7831 388 ¹¹	7831 388 ¹¹	7831 388 ¹¹	7831 388 ¹¹
004	Spring Clips (Set)	7820 118 ⁶	7820 118 ⁶	7820 118 ⁶	7820 118 ⁶
006	Fastener Set (Return Pipe)	7826 221 ⁸	7826 221 ⁸	7826 221 ⁸	7826 221 ⁸
007	Gas Connection Pipe	7831 390 ¹²	7831 390 ¹²	7831 390 ¹²	7831 390 ¹²
008	Press. Gage (PSI)	7831 391 ¹¹	7831 391 ¹¹	7831 391 ¹¹	7831 391 ¹¹
009	Vent Pipe Adaptor 60/100	7826 466 ⁸	7826 466 ⁸	7826 466 ⁸	7826 466 ⁸
010	P-Trap	7834 783 ⁹	7834 783 ⁹	7834 783 ⁹	7834 783 ⁹
011	Gasket (Flue Gas)	7828 645 ⁵	7828 645 ⁵	7828 645 ⁵	7828 645 ⁵
012	Air Intake Cover	7827 389 ⁴	7827 389 ⁴	7827 389 ⁴	7827 389 ⁴
013	Air Intake Cap	7827 414 ⁴	7827 414 ⁴	7827 414 ⁴	7827 414 ⁴
014	Test Port Cap (Set of 2)	7822 742 ⁶	7822 742 ⁶	7822 742 ⁶	7822 742 ⁶
015	Wall-Mount Bracket	7831 392 ¹¹	7831 392 ¹¹	7831 392 ¹¹	7831 392 ¹¹
016	Comb.Chbr.Refr.	7830 016 ¹¹	7830 016 ¹¹	7830 016 ¹¹	7830 016 ¹¹
017	Condensate Pipe	7829 789 ⁷	7829 789 ⁷	7829 789 ⁷	7829 789 ⁷
018	Condensate Hose, 400mm	7829 788 ⁶	7829 788 ⁶	7829 788 ⁶	7829 788 ⁶
019	Gasket (Air Intake), DN60	7826 471 ⁴	7826 471 ⁴	7826 471 ⁴	7826 471 ⁴
020	Guide Rails (Set of 2)	7828 649 ⁶	7828 649 ⁶	7828 649 ⁶	7828 649 ⁶
021	Clip D=8 (Set of 5)	7827 943 ⁶	7827 943 ⁶	7827 943 ⁶	7827 943 ⁶
022	Front Panel	7829 295 ²²	7829 295 ²²	7829 295 ²²	7829 295 ²²
023	Connector Retaining Clip (Set of 2)	7822 769 ⁵	7822 769 ⁵	7822 769 ⁵	7822 769 ⁵
024	Sealing Grommet, DN60	7827 995 ⁶	7827 995 ⁶	7827 995 ⁶	7827 995 ⁶
025	O-Ring Set (Heat Exchanger 21x3mm)	7826 214 ⁴	7826 214 ⁴	7826 214 ⁴	7826 214 ⁴
026	Sealing Grommet Set	7831 393 ⁹	7831 393 ⁹	7831 393 ⁹	7831 393 ⁹
027	Air Vent w Shut-off Base, 3/8"	7819 971 ⁷	7819 971 ⁷	7819 971 ⁷	7819 971 ⁷
028	O-Ring Set (Supply/Return 18x3mm)	7826 215 ⁴	7826 215 ⁴	7826 215 ⁴	7826 215 ⁴
029	Support Bracket Set (Heat Exch.)	7823 849 ⁷	7823 849 ⁷	7823 849 ⁷	7823 849 ⁷
030	Heating Supply Conn. Pipe	7831 387 ¹⁶	7831 387 ¹⁶	7831 387 ¹⁶	7831 387 ¹⁶
031	Heating Return Conn. Pipe	7831 389 ¹²	7831 389 ¹²	7831 389 ¹²	7831 389 ¹²
050	Burner Gasket, 187x5.5mm	7823 834 ⁵	7823 834 ⁵	7823 834 ⁵	7823 834 ⁵
051	Comb.Ch.Dr.Refr.	7828 716 ¹²	7828 716 ¹²	7828 716 ¹²	7828 716 ¹²
052	Burner Tube	7828 717 ¹⁶	7828 717 ¹⁶	7828 717 ¹⁶	7828 717 ¹⁶
053	Gasket (Burner Tube)	7826 514 ⁵	7826 514 ⁵	7826 514 ⁵	7826 514 ⁵
054 W	Ignition + Ionization Electrode Block	7828 718 ¹²	7828 718 ¹²	7828 718 ¹²	7828 718 ¹²
055	Gasket (Electrode Block)	7827 024 ⁶	7827 024 ⁶	7827 024 ⁶	7827 024 ⁶
056	Radial Fan NRG118-CVI, 120/1/60	7831 369 ³⁵	7831 369 ³⁵	7831 369 ³⁵	7831 369 ³⁵
057	Gas Valve/Venturi Assly 120/1/60	7439 313 ²⁰	7439 313 ²⁰	7439 313 ²⁰	7439 313 ²⁰
058	Burner Mounting Flange Assly	7828 726 ¹⁸	7828 726 ¹⁸	7833 032 ¹⁹	7833 032 ¹⁹
059	Venturi Extension	7829 282 ⁸	7829 282 ⁸	7829 282 ⁸	7829 282 ⁸
060	Gasket (Radial Fan)	7829 796 ⁵	7829 796 ⁵	7829 796 ⁵	7829 796 ⁵
061	Gasket Set (Gas Conn. Pipe)	7826 217 ⁴	7826 217 ⁴	7831 673 ⁷	7831 673 ⁷
062	Gasket Set (Gas Vlv/Venturi Assly)	7831 382 ¹¹	7831 382 ¹¹	7831 382 ¹¹	7831 382 ¹¹
					continued

VITODENS 100-W

Vitodens 100-W		WB1B 26	WB1B 35	WB1Bc 26	WB1Bc 35
		7160 792	7160 793	7459 301	7459 302
General Info	Price List Section:	2.5			
	Parts Catalog Section:	10			
	Series Name:	WB1B			
	Applies to serials nos. beginning with:	7374861...	7374862...	7457960...	7457961...
	Accurate as of:	07/01/2012			

Parts List

Please refer to: Parts List
Pos. Description

Part Numbers / Price Categories

Pos.	Description	7831 815 ¹⁰	7831 815 ¹⁰	7831 815 ¹⁰	7831 815 ¹⁰
063	Ctrl Bracket	7831 815 ¹⁰	7831 815 ¹⁰	7831 815 ¹⁰	7831 815 ¹⁰
070	Connection Elbow (Return) with Air Vent	7830 013 ¹⁵	7830 013 ¹⁵	7833 402 ¹⁶	7833 402 ¹⁶
080	Control Console	7427 419 ⁴⁰	7427 420 ⁴⁰	7837 395 ³⁴	7837 396 ³⁴
081	Control Console Cover	7825 549 ⁷	7825 549 ⁷	7825 549 ⁷	7825 549 ⁷
082	Fixed High Limit, 99°C	7825 490 ¹⁴	7825 490 ¹⁴	7825 490 ¹⁴	7825 490 ¹⁴
083	Sensor #3 (Boiler)	7819 967 ¹⁴	7819 967 ¹⁴	7819 967 ¹⁴	7819 967 ¹⁴
084	Sensor #15 (Flue Gas)	7822 767 ⁸	7822 767 ⁸	7822 767 ⁸	7822 767 ⁸
085 W	Fuse, 2.5A/250V (Pkg of 10)	7404 396 ⁶	7404 396 ⁶	7404 396 ⁶	7404 396 ⁶
086	Power/Pump Ctrl Module	7831 396 ²⁸	7831 396 ²⁸	7837 579 ²⁸	7837 579 ²⁸
087	Cover (Flip-Down)	7829 293 ⁹	7829 293 ⁹	7829 293 ⁹	7829 293 ⁹
088	Flow Switch VK315M	7826 314 ¹³	7826 314 ¹³	7826 314 ¹³	7826 314 ¹³
089 W	Fuse, 6.3A/250V (Pkg of 10)	7404 365 ⁶	7404 365 ⁶	7404 365 ⁶	7404 365 ⁶
090	Hinges (Ctrl Housing, Set of 10)	7822 709 ⁷	7822 709 ⁷	7822 709 ⁷	7822 709 ⁷
100	Wiring Harness, X20			7837 574 ¹⁰	7837 574 ¹⁰
101	Wiring Harness, X21	7831 397 ²⁴	7831 397 ²⁴	7837 917 ¹⁰	7837 917 ¹⁰
102	Connecting Cable, Gas Valve 35	7828 983 ⁶	7828 983 ⁶	7828 983 ⁶	7828 983 ⁶
103	Connecting Cable, Radial Fan 100	7830 399 ⁶	7830 399 ⁶	7830 399 ⁶	7830 399 ⁶
104	Connecting Cable, Ignitor	7828 982 ⁷	7828 982 ⁷	7828 982 ⁷	7828 982 ⁷
105	Strain Relief (Set of 10)	7823 516 ⁶	7823 516 ⁶	7823 516 ⁶	7823 516 ⁶
106	Grounding Wire, Ign. Electrode	7829 792 ⁴	7829 792 ⁴	7829 792 ⁴	7829 792 ⁴
107	Touch-UP Spray Paint "Vitowhite"	7822 681 ⁹	7822 681 ⁹	7822 681 ⁹	7822 681 ⁹
108	Touch-UP Paint Stick "Vitowhite"	7822 682 ⁵	7822 682 ⁵	7822 682 ⁵	7822 682 ⁵
109	Conv. Kit NG > LP	7427 421 ⁶	7427 421 ⁶	7459 304 ⁶	7459 304 ⁶
110	Conv. Kit LP > NG	7427 422 ⁶	7427 422 ⁶	7456 850 ⁶	7456 850 ⁶
400	Installation Fittings, WB1B	7160 794 ²⁴	7160 794 ²⁴	7459 303 ²⁴	7459 303 ²⁴
402	Nipple, ¾" x 2" Brass	9570 696 ⁴	9570 696 ⁴	9570 696 ⁴	9570 696 ⁴
403	Sediment Faucet, ¾" NPT	9542 942 ⁵	9542 942 ⁵	9542 942 ⁵	9542 942 ⁵
404	Tee, ¾" Brass	9549 933 ⁷	9549 933 ⁷	9549 933 ⁷	9549 933 ⁷
405	Nipple, ¾" x 3 ½" Short Brass	9560 681 ⁶	9560 681 ⁶	9560 681 ⁶	9560 681 ⁶
406	Gas Ball Valve, ¾" Brass	7134 783 ⁶	7134 783 ⁶	7134 783 ⁶	7134 783 ⁶
407	Extension, ¾" x 2 ¼" Brass	9549 931 ⁶	9549 931 ⁶	9549 931 ⁶	9549 931 ⁶
410	Access. Pack (Mtl.Stud Mt.Kit)	7134 206 ⁵	7134 206 ⁵	7134 206 ⁵	7134 206 ⁵
411	Access. Pack (Venting Fasteners)	7455 794 ⁸	7455 794 ⁸	7455 794 ⁸	7455 794 ⁸
412 *2	Lubricant (Skoberne Venting), 30g	7341 310 ^D	7341 310 ^D	n.a. ^{n.a.}	n.a. ^{n.a.}
					continued

VITODENS 100-W

Vitodens 100-W	WB1B 26 7160 792	WB1B 35 7160 793	WB1Bc 26 7459 301	WB1Bc 35 7459 302
General Info	Price List Section: 2.5			
	Parts Catalog Section: 10			
	Series Name: WB1B			
	Applies to serials nos. beginning with: 7374861... 7374862... 7457960... 7457961...			
	Accurate as of: 07/01/2012			

Parts List

Please refer to: Parts List

Pos. Description Part Numbers / Price Categories

413	Sensor (Outdoor)	7416 057 ¹²	7416 057 ¹²	7416 057 ¹²	7416 057 ¹²
414 ^{*1}	Pr.Rel Valve, 3/4" (FF) 30PSI	9542 940 ⁸	9542 940 ⁸	9542 940 ⁸	9542 940 ⁸
415 ^{*1}	Pr.Rel Valve, 3/4" x 3/4" 45PSI	9549 944 ¹¹	9549 944 ¹¹	9549 944 ¹¹	9549 944 ¹¹
420	Install/Service Instr. WB1B	5368 828 ^L	5368 828 ^L	5600 332 ^L	5600 332 ^L
421	Oper. Instr./User's Info. WB1B	5581 622 ^L	5581 622 ^L	5600 333 ^L	5600 333 ^L
422	Install. Instr. Venting System WB1B/WB2B	5368 815 ^L	5368 815 ^L	5368 815 ^L	5368 815 ^L
423	Warranty Sheet Condensing, Resid v2	5348 723 ^L	5348 723 ^L	5348 723 ^L	5348 723 ^L
424	Parts List WB1B	5368 833 ^L	5368 833 ^L	5368 833 ^L	5368 833 ^L
425	Parts List Inst. Fittings WB1B	5368 834 ^L	5368 834 ^L	5600 334 ^L	5600 334 ^L

Notes:

^{*1} IMPORTANT 30 psi pressure relief valve is standard equipment shipped with boiler; 45 psi valve is optional equipment.

^{*2} IMPORTANT During installation, Skoberne venting utilizes 412 lubricant; for M + G venting use only water to lubricate.

IMPORTANT Vitodens 100-W installed with a low-loss header does not utilize a #5 sensor.

"n.a." indicates not applicable.

"W" indicates wearing part (service).

"L" indicates literature (no charge).

"Kit" or "Other" indicates that this is not a Price Category item; contact Inside Sales for pricing.

Parts List

VITODENS 100-W WB1B Series

Model No. Serial No. *1
 WB1B 26 7374861□□□□□□□□□□
 WB1B 35 7374862□□□□□□□□□□

WB1Bc 26 7457960□□□□□□□□□□
 WB1Bc 35 7457961□□□□□□□□□□

Ordering Replacement Parts:

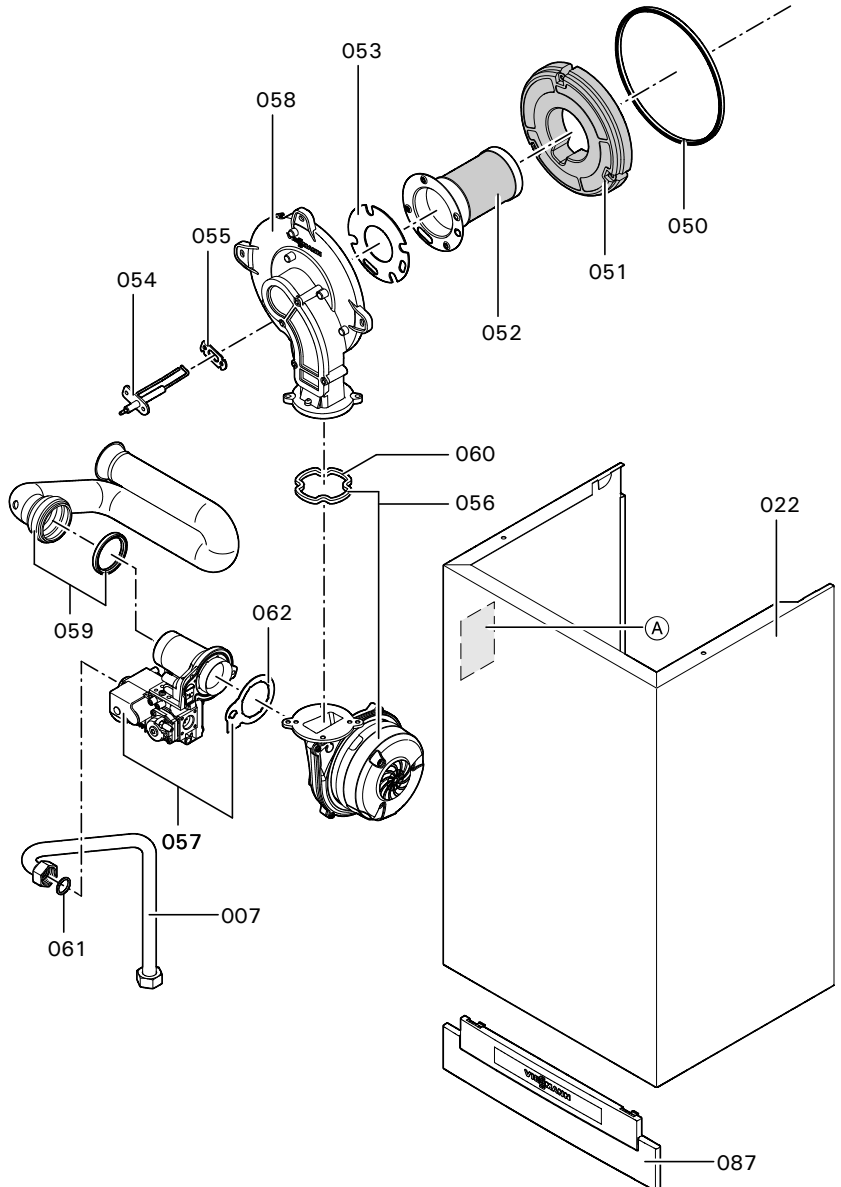
Please provide Model and Serial Number from rating plate (A) when ordering replacement parts. Order replacement components from your Viessmann distributor.

Parts

- 007 Gas connection pipe
- 022 Front panel
- 050 Burner gasket,
d = 187 x 5.5mm
- 051 Combustion chamber
door refractory
- 052 Burner tube
- 053 Gasket for burner tube
- 054 Ignition + ionization electrode block
- 055 Gasket for electrode block
- 056 Radial fan NRG118-CVI, 120/1/60
- 057 Gas valve/Venturi
assembly, 120/1/60
- 058 Burner mounting flange assembly
- 059 Venturi extension
- 060 Gasket for radial fan
- 061 Gasket set
for gas connection pipe
- 062 Gasket set
for gas valve/Venturi assembly
- 087 Flip-down cover

Other Parts (not illustrated)

- 090 Hinges for control housing
(set of 10)
- 107 Touch-up spray paint "Vitowhite"
- 108 Touch-up paint stick "Vitowhite"
- 109 Conversion kit, NG > LP
- 110 Conversion kit, LP > NG
- 400 Installation fittings
(see separate Parts List)
- 420 Installation / Service Instructions
- 421 Operating Instructions
- 422 Installation Instructions,
Venting System
- 423 Warranty Sheet Condensing
- 424 Parts List



Please file in Service Binder

5368 833 6/2012

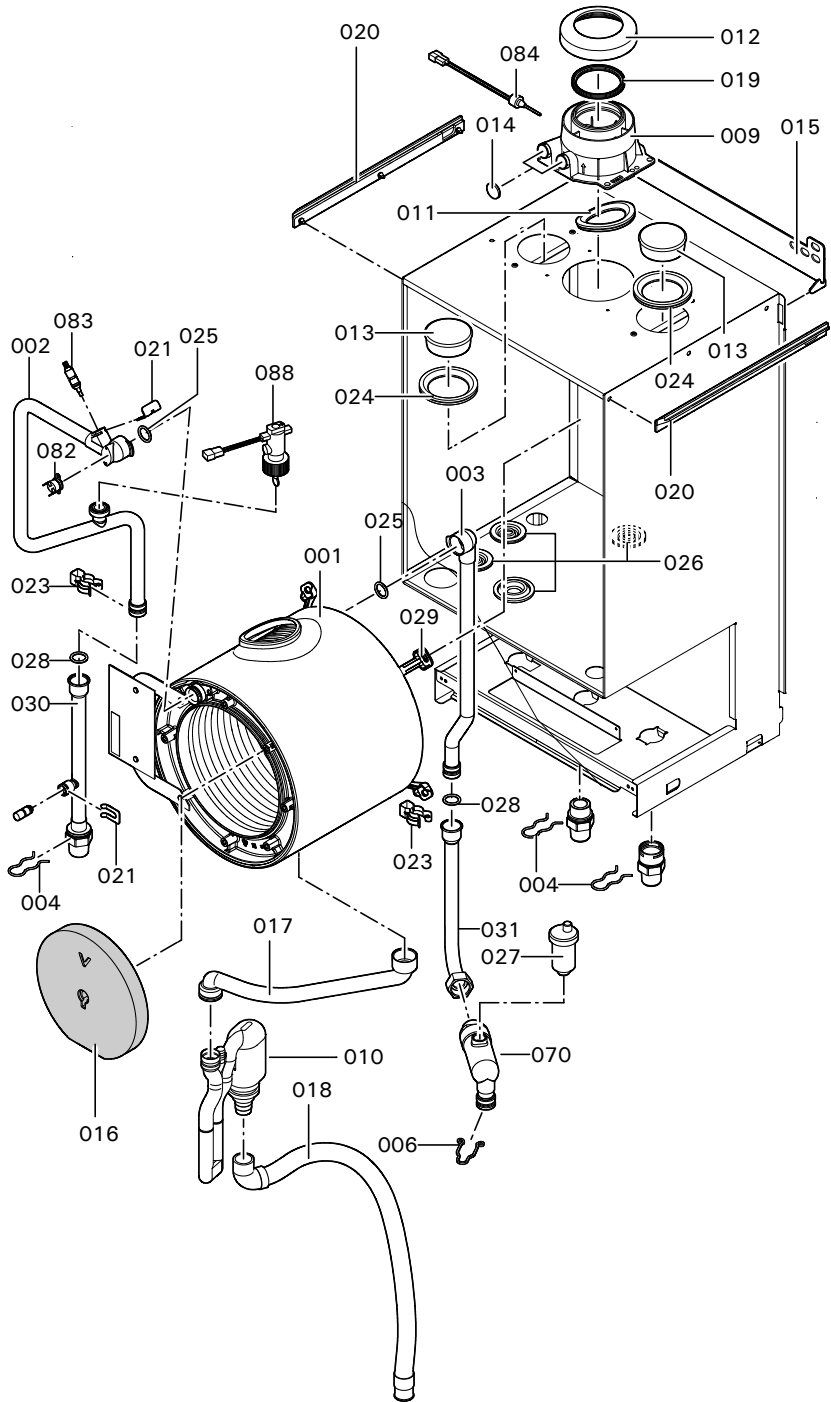
(A) CSA rating plate

VITODENS 100-W

WB1B Series

Parts

- 001 Heat exchanger assy, ASME
- 002 Heat exchanger connection pipe (supply)
- 003 Heat exchanger connection pipe (return)
- 004 Spring clips (set)
- 006 Fastener set (return pipe)
- 009 Vent pipe adaptor
- 010 P-Trap
- 011 Gasket for flue gases
- 012 Air intake cover
- 013 Air intake cap
- 014 Test port cap (set of 2)
- 015 Wall-mount bracket
- 016 Combustion chamber refractory
- 017 Condensate pipe
- 018 Condensate hose
- 019 Gasket for air intake
- 020 Guide rails (set of 2)
- 021 Clip d=8 (set of 5)
- 023 Connector retaining clip (set of 2)
- 024 Sealing grommet, DN60
- 025 O-ring set for heat exchanger, 21 x 3mm
- 026 Sealing grommet set
- 027 Air vent with shut-off base, 3/8"
- 028 Supply/return o-ring set, 18 x 3mm
- 029 Support bracket set for heat exchanger
- 030 Heating supply connection pipe
- 031 Heating return connection pipe
- 070 Heating return connection elbow including air vent (027)
- 082 Fixed high limit, 210°F / 99°C
- 083 Boiler sensor
- 084 Flue gas sensor
- 088 Flow switch VK315M



ⓑ ASME Rating plate

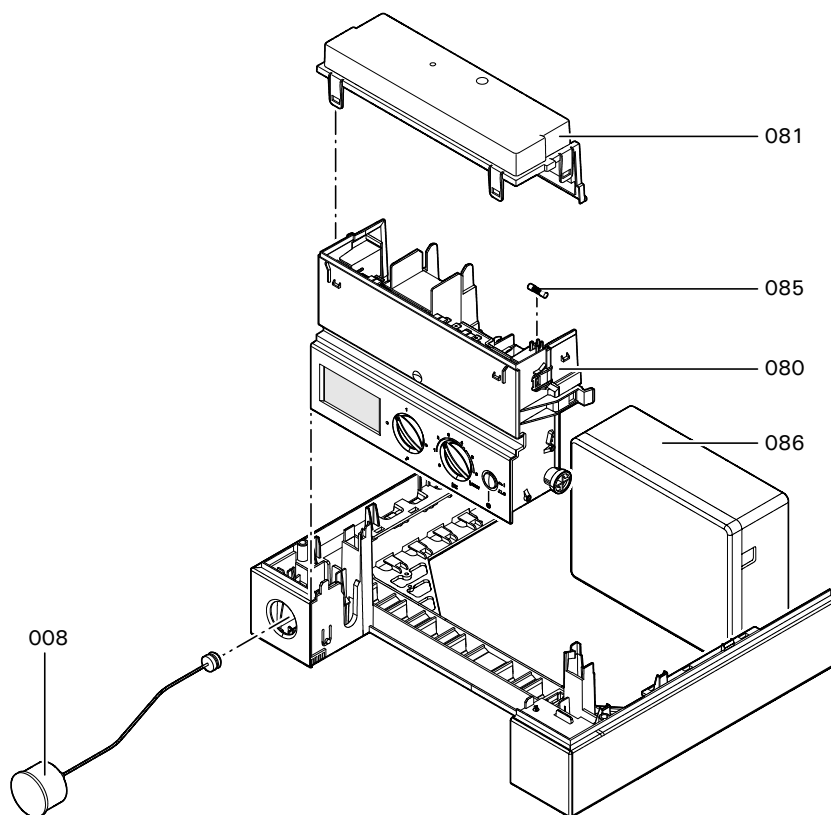
VITODENS 100-W WB1B Series

Parts

- 008 press. gage (PSI)
- 080 Control console
- 081 Control console cover
- 085 Fuse, 2.5A/250V (pkg of 10)
(for control console 080)
- 086 Power/pump control module

Other Parts (not illustrated)

- 089 Fuse, 6.3A/250V (pkg of 10)
(for 086, Power/pump
control module)
- 063 Control bracket
- 100 Wiring harness, X20
- 101 Wiring harness, X21
- 102 Connecting cable
No.35 for gas valve
- 103 Connecting cable
No.100 for radial fan
- 104 Connecting cable for ignitor
- 105 Strain relief
- 106 Grounding wire
for ignition electrode



Parts List



Installation Fittings, 7459 303

VITODENS 100-W WB1Bc Series

Please file in Service Binder

Model No.	Serial No.
WB1Bc 26	7457960□□□□□□□□
WB1Bc 35	7457961□□□□□□□□

Ordering Replacement Parts:
Please provide boiler Model and Serial Number from rating plate when ordering replacement parts. Order replacement components from your Viessmann distributor.

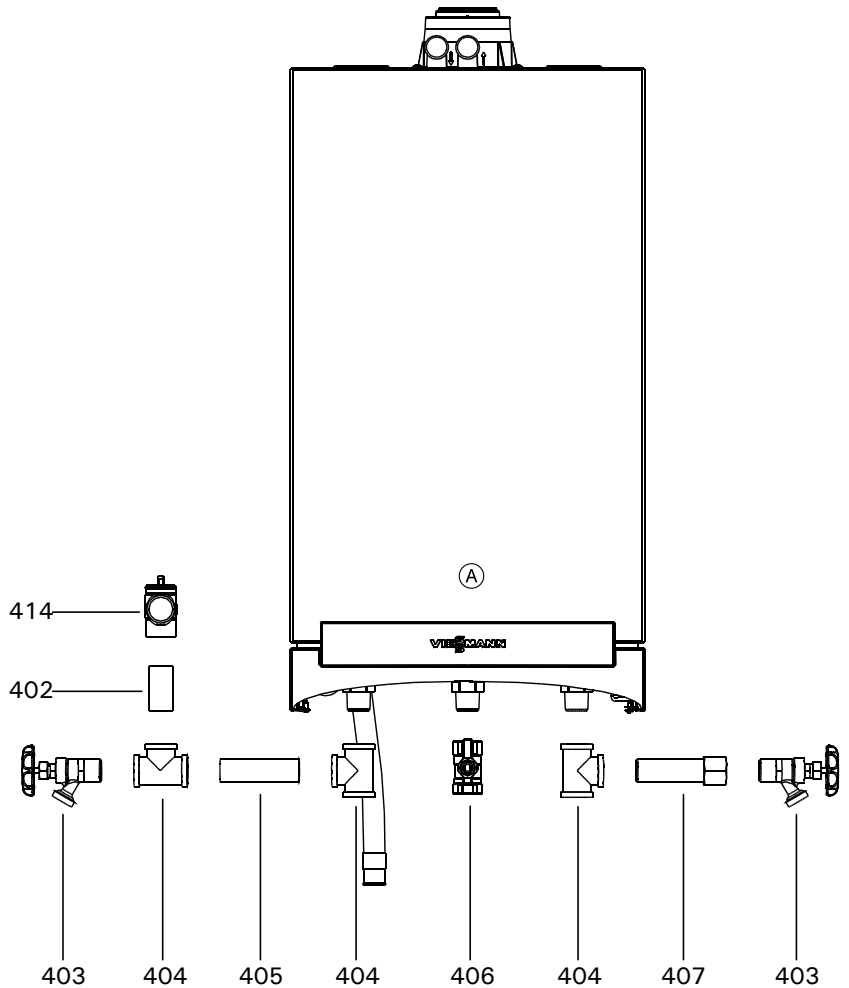
Parts

- 402 Nipple, 3/4" x 2"
- 403 Sediment faucet
- 404 Tee, 3/4"
- 405 Nipple, 3/4" x 3 1/2"
- 406 Gas ball valve, 3/4"
- 407 Extension, 3/4" x 3"
- 414 Pressure relief valve, 30 psig

Other Parts (not illustrated)

- 410 Accessory pack (metal stud mount kit)
- 411 Accessory pack (coaxial venting fasteners)
- 413 Outdoor temperature sensor
- 415 Pressure relief valve, 45 psig (optional)
- 425 Parts List, Installation Fittings

- Ⓐ Vitodens boiler see separate Parts List
- CombiPLUS Kit see separate Parts List



Parts List



Installation Fittings, 7160 794

VITODENS 100 WB1B Series

Please file in Service Binder

Model No.	Serial No.
WB1B-26	7374861□□□□□□□□
WB1B-35	7374862□□□□□□□□

Ordering Replacement Parts:
Please provide boiler Model and Serial Number from rating plate when ordering replacement parts. Order replacement components from your Viessmann distributor.

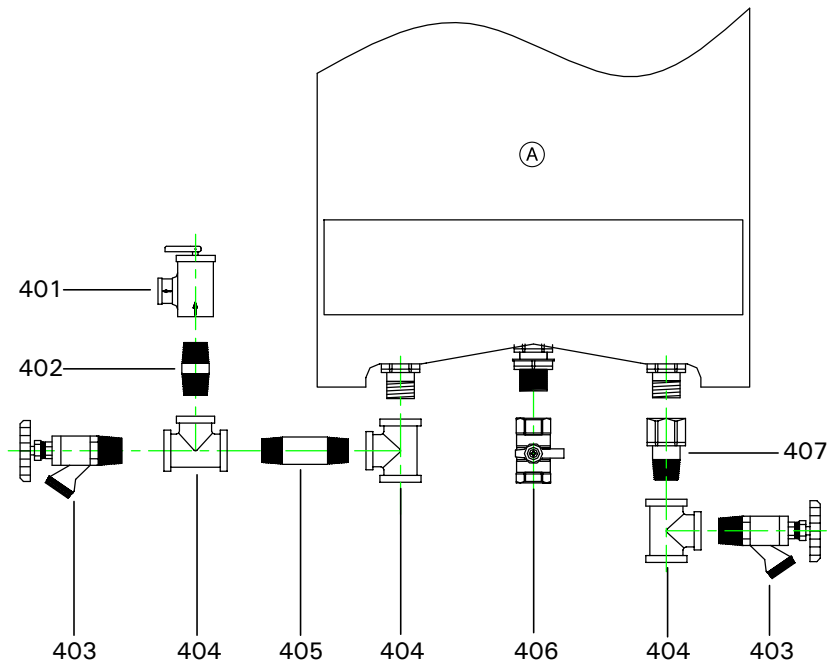
Parts

- 401 Pressure relief valve
- 402 Nipple, 3/4" x 2"
- 403 Sediment faucet
- 404 Tee, 3/4"
- 405 Nipple, 3/4" x 3 1/2"
- 406 Gas ball valve, 3/4"
- 407 Extension, 3/4" x 2 1/4"

Other Parts (not illustrated)

- 410 Accessory pack (metal stud mount kit)
- 411 Accessory pack (coaxial venting fasteners)
- 413 Outdoor temperature sensor
- 425 Parts List, Installation Fittings

Ⓐ Vitodens boiler
see separate Parts List



CombiPLUS Kit

for Vitodens 100-W WB1B

CombiPLUS Kit	7459 305	
----------------------	-----------------	--

General Info	Price List Section:	2.3	
	Parts Catalog Section:	10	
	Series Name:		(9/2011 -)
	Applies to boiler serials nos. beginning with:	7457960... 7457961...	
	Accurate as of:	07/01/2012	

Parts List

Please refer to: Parts List

Pos. Description Part Numbers / Price Categories

010	Cover Panel	9640 796 ¹²			
020	Bottom Panel	9640 797 ¹⁷			
100	Installation Fittings	7456 837 ²¹			
101	Nipple, 3/4" Hex	9640 798 ⁴			
102	S.S. Flex Pipe, 3/4 x 7"	9641 068 ⁶			
103	S.S. Flex Pipe, 3/4 x 12"	9640 805 ⁷			
104	Connectors (Set of 2) w Clips/O-Rings	7456 838 ¹⁴			
105	Sealing Grommet	9640 809 ²			
106	Access. Pack (Anchors, Set of 4)	7456 835 ⁴			
107	Pr.Rel Valve, 3/4" Male/Fem. 150PSI Watts	9560 807 ⁷			
108	Tee, 3/4" Brass	9549 933 ⁷			
109	Gasket, Assortment 1/2", 3/4"	7820 128 ⁵			
110	Adaptor, 3/4" G female - 3/4" NPT male	9635 592 ⁵			
111	Adaptor, G 1/2" x NPT 1/2" Brass	9641 026 ⁶			
112	O-Ring 17x4 (Set of 5)	7828 766 ⁶			
113	Clip d= 18 (Set of 5)	7828 762 ⁶			
200	Harness (Sensors)	7456 845 ¹⁶			
201	Harness (Pump)	7456 834 ¹⁴			
202	Access. Pack (Conduit Clip,Set of 2)	7494 857 ³			
323	Access. Pack (Plugs)	7837 215 ⁷			
330	Replac. Powerhead UPS15-78 120/1/60	7837 214 ²²			
331	Plate Heat Exchanger, 20 Plates	7828 746 ²³			
332	Gasket Set, PWT	7828 747 ¹⁰			
333	Step Motor (linear)	7828 748 ¹⁷			
334	Flow Sensor	7828 749 ²⁹			
335	Air Vent	7828 750 ¹¹			
337	Bypass Cartridge	7828 756 ¹⁰			
339	Clip D= 8 (Set of 5)	7828 758 ⁶			
340	Clip D= 10 (Set of 5)	7828 759 ⁶			
342	Clip D= 16 (Set of 5)	7828 761 ⁶			
344	Clip SIV spec.(Set of 5)	7828 763 ¹⁴			
348	Expansion Pipe	7829 297 ¹²			
383	Sensor #3 (Boiler)	7819 967 ¹⁴			
390	Flow Regulator (WHT/BLK), Type A 10L	7164 817 ¹¹			
391	Flow Regulator (WHT/BRN), Type A 14L	7828 754 ¹¹			

CombiPLUS Kit

for Vitodens 100-W WB1B

CombiPLUS Kit	7459 305	
----------------------	-----------------	--

General Info	Price List Section:	2.3	
	Parts Catalog Section:	10	
	Series Name:		(9/2011 -)
	Applies to boiler serials nos. beginning with:	7457960... 7457961...	
	Accurate as of:	07/01/2012	

Parts List

Please refer to: Parts List

Pos. Description Part Numbers / Price Categories

400	Install/Service Instr.	5600 332 ^L			
401	Quick Start-Up Guide	5600 336 ^L			
402	Parts List	5600 337 ^L			
403	Installation Template	5600 338 ^L			
404	Touch-UP Spray Paint "Vitowhite"	7822 681 ⁹			
405	Touch-UP Paint Stick "Vitowhite"	7822 682 ⁵			

Notes:

"n.a." indicates not applicable.

"W" indicates wearing part (service).

"L" indicates literature (no charge).

"Kit" or "Other" indicates that this is not a Price Category item; contact Inside Sales for pricing.

Parts List



CombiPLUS Kit

Part No. 7459 305

only for use with **VITODENS 100-W**

Please file in Service Binder

Model No.	Boiler Serial No.
WB1B 26	7457960□□□□□□□□□□
WB1B 35	7457961□□□□□□□□□□

Ordering Replacement Parts:

Please provide Part and Serial Number*1 when ordering replacement parts. Order replacement components from your Viessmann distributor.

Parts

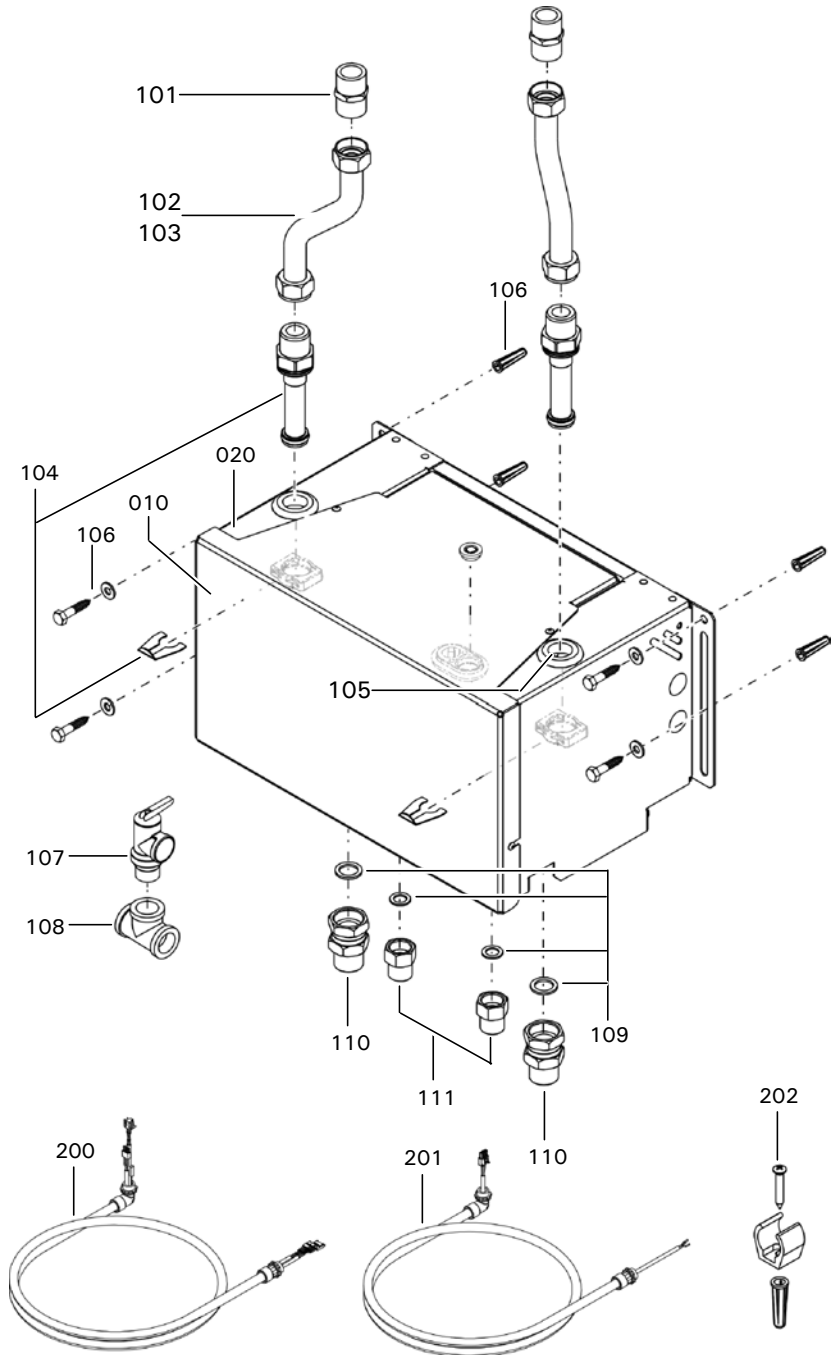
- 010 Cover panel
- 020 Bottom panel
- 101 Nipple, 3/4" HEX
- 102 Flex pipe, 3/4 x 7"
- 103 Flex pipe, 3/4 x 12"
- 104 Connectors (set of 2)
with clips and O-rings
- 105 Sealing grommet
- 106 Accessory pack, anchors
(set of 4)
- 107 Pressure relief valve, 3/4" 150psig
- 108 Tee, 3/4" brass
- 109 Gaskets, assortment of 1/2", 3/4"
- 110 Adaptor,
G 3/4" F x NPT 3/4" M
- 111 Adaptor,
G 1/2" F x NPT 1/2" M
- 200 Harness for sensors
- 201 Harness for pump
- 202 Accessory pack, conduit clips
(set of 2)

Other Parts (not illustrated)

- 100 Installation fittings
(items 101 to 111 and 390, complete set)
- 400 Installation / Service Instructions
- 401 Quick Start-Up Guide
- 402 Parts List
- 403 Installation Template
- 404 Touch-up spray paint "Vitowhite"
- 405 Touch-up paint stick "Vitowhite"

*1 Serial no. is located on bottom of unit.

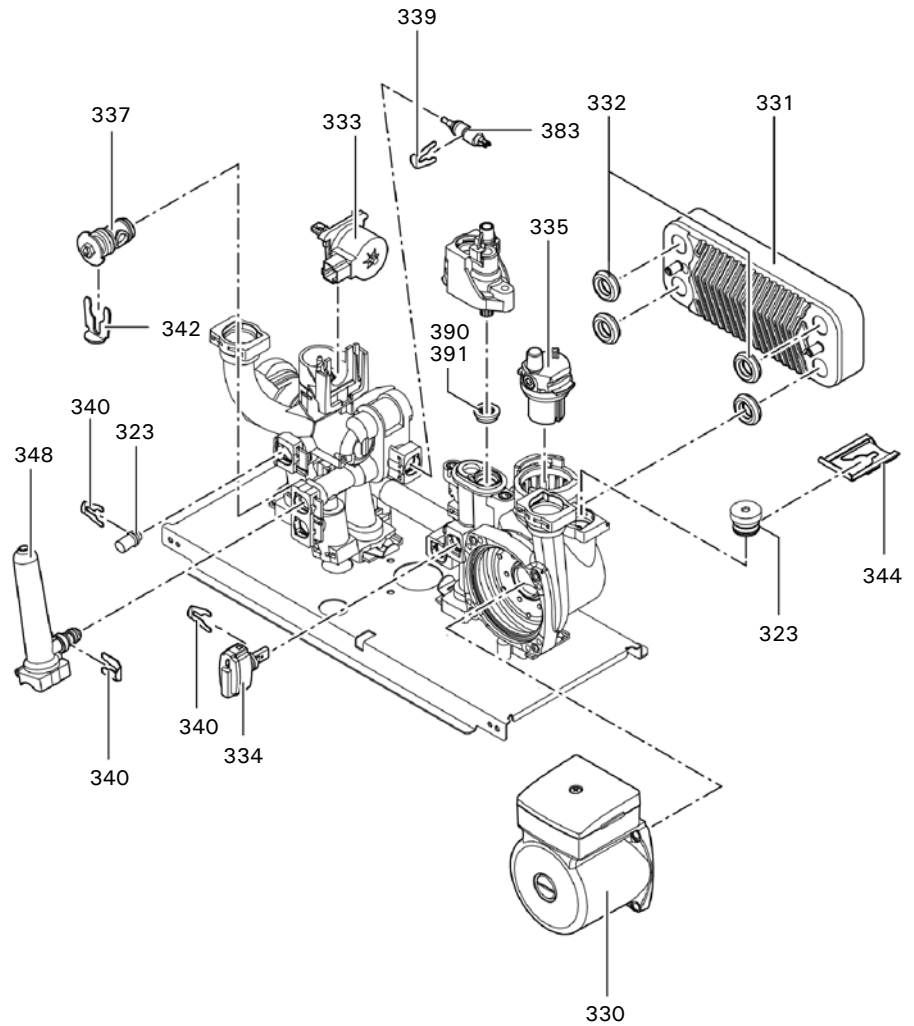
See separate Parts List for boiler.



CombiPLUS Kit

Parts

- 323 Accessory pack,
plugs, clips (340 and 344),
and O-rings
- 330 Replacement powerhead,
UPS15-78, 120/1/60
- 331 Plate heat exchanger, 20 plates
- 332 Gasket set, PWT
- 333 Step motor, linear
- 334 Flow sensor
- 335 Air vent
- 337 Bypass cartridge
- 339 Clip d = 8
(set of 5)
- 340 Clip d = 10
(set of 5)
- 342 Clip d = 16
(set of 5)
- 344 Clip SIV special
(set of 5)
- 348 Expansion pipe
- 383 Sensor #3 (boiler)
- 390 Flow regulator, 10L
for use with WB1B-26 only
- 391 Flow regulator, 14L
for use with WB1B-35 only



VITODENS 100

Vitodens 100	WB1A 24	WB1A 30	
--------------	---------	---------	--

Shipping Overview	Price List Section:	2.5
	Parts Catalog Section:	10
	Series Name:	WB1A
	Accurate as of:	07/01/2012

4/2007 - 9/2009	Natural Gas		
	WB1A006	WB1A007	
Boiler	7246 174	7246 175	
Inst Fittings	7134 767	7134 767	

VITODENS 100-W

Vitodens 100-W	WB1A 24 WB1A006	WB1A 30 WB1A007	
-----------------------	---------------------------	---------------------------	--

General Info	Price List Section:	2.5
	Parts Catalog Section:	10
	Series Name:	WB1A
	Applies to serials nos. beginning with:	7246174... 7246175...
	Accurate as of:	07/01/2012

Parts List

Please refer to: Parts List
Pos. Description

Part Numbers / Price Categories

Pos.	Description	Part Numbers / Price Categories	Part Numbers / Price Categories	Part Numbers / Price Categories	Part Numbers / Price Categories
001 W	Fixed High Limit, 210°F/99°C	7825 490 ¹⁴	7825 490 ¹⁴		
002 W	Sensor #3 (Boiler)	7819 967 ¹⁴	7819 967 ¹⁴		
003 W	Air Pressure Switch 220/150 Pa	7824 453 ¹⁵	7824 453 ¹⁵		
004	Test Port Cap (Set of 2)	7822 742 ⁶	7822 742 ⁶		
005	Vent Pipe Adaptor	7823 845 ¹²	7823 845 ¹²		
006	Gasket Set (Flue Gas)	7823 846 ⁵	7823 846 ⁵		
007	Heat Exchanger Assly, ASME	7373 111 ⁶⁰	7373 111 ⁶⁰		
008 W	Comb.Chbr.Refr.	7827 843 ¹⁰	7827 843 ¹⁰		
009	Support Bracket Set (Heat Exch.)	7823 849 ⁷	7823 849 ⁷		
010	Condensate Hose, 400mm	7825 486 ⁴	7825 486 ⁴		
011	P-Trap	7828 289 ⁷	7828 289 ⁷		
012	Condensate Pipe	7823 850 ¹⁰	7823 850 ¹⁰		
013	Gas Connection Pipe	7826 211 ¹²	7826 211 ¹²		
014	Heating Supply Connection Pipe	7826 212 ¹⁹	7826 212 ¹⁹		
015	Heating Return Connection Pipe	7826 213 ¹²	7826 213 ¹²		
016	Air Vent w Shut-off Base, 3/8"	7819 971 ⁷	7819 971 ⁷		
017 W	Water Pressure Sensor	7828 530 ¹²	7828 530 ¹²		
018 W	O-Ring Set (Heat Exchanger 21x3mm)	7826 214 ⁴	7826 214 ⁴		
019 W	O-Ring Set (Supply/Return 18x3mm)	7826 215 ⁴	7826 215 ⁴		
020 W	Gasket Set (Wtr Press. Snr 10x2mm)	7826 216 ⁴	7826 216 ⁴		
021	Gasket Set (Gas Conn. Pipe 17x24x2)	7826 217 ⁴	7826 217 ⁴		
022	Gasket Set (P-Trap 19x2mm)	7826 218 ⁴	7826 218 ⁴		
023	Sealing Grommet Set	7826 219 ⁹	7826 219 ⁹		
024	Sealing Grommet	7826 220 ⁵	7826 220 ⁵		
025	Fastener Set (Sensors)	7817 497 ⁴	7817 497 ⁴		
026	Locking Clip Set (Return)	7817 909 ⁸	7817 909 ⁸		
027	Fastener Set (Return Pipe)	7826 221 ⁸	7826 221 ⁸		
028	Fastener Set (Supply Pipe 32x2mm)	7826 222 ⁴	7826 222 ⁴		
029	Fastener Set, 10mm	7826 223 ⁵	7826 223 ⁵		
031	Flue Gasket, 60mm	7828 617 ⁵	7828 617 ⁵		
032	Flue Gasket, 100mm	7822 670 ⁶	7822 670 ⁶		
033 W	Flow Switch VK315M	7826 314 ¹³	7826 314 ¹³		
050 W	Burner Gasket	7823 834 ⁵	7823 834 ⁵		
051 W	Comb.Chbr.Dr.Refr.	7827 846 ¹¹	7827 846 ¹¹		
052	Burner Tube	7822 783 ¹⁶	7822 783 ¹⁶		
053	Burner Tube Gasket	7822 784 ⁶	7822 784 ⁶		
054 W	Ignition + Ionization Electrode Block	7823 837 ¹¹	7823 837 ¹¹		
058	Flapper	7374 870 ⁸	7374 870 ⁸		
059	Radial Fan RG130, 120/1/60	7373 112 ²⁵	7373 112 ²⁵		
060	Air + Gas Inlet Venturi Type 002	7822 791 ¹⁵	7822 791 ¹⁵		
061	Gas Valve VK4115V, 120/1/60	7373 113 ³¹	7373 113 ³¹		
062	Burner Mounting Flange Assly	7373 110 ¹⁶	7373 110 ¹⁶		
063	Ign. Transformer Module ZIG 2/12	7828 522 ⁹	7828 522 ⁹		
080	Control Console, Vitodens 100	7826 988 ³⁴	7826 987 ⁴¹		
081	Ctrl Housing VD 100, Rear	7823 961 ⁷	7823 961 ⁷		continued

VITODENS 100-W

Vitodens 100-W	WB1A 24 WB1A006	WB1A 30 WB1A007	
-----------------------	---------------------------	---------------------------	--

General Info	Price List Section:	2.5	
	Parts Catalog Section:	10	
	Series Name:	WB1A	
	Applies to serials nos. beginning with:	7246174...	7246175...
	Accurate as of:	07/01/2012	

Parts List

Please refer to: Parts List

Pos. Description Part Numbers / Price Categories

083	W	Fuse, 4.0A/250V (Pkg of 10)	7404 364 ⁶	7404 364 ⁶		
084		Power/Pump Module, 120/1/60	7245 766 ³²	7245 766 ³²		
090		Wiring Harness, X8	7826 320 ¹⁰	7826 320 ¹⁰		
091		Wiring Harness, X9	7826 321 ⁸	7826 321 ⁸		
092		Connecting Cable, Fan	7826 322 ^D	7826 322 ^D		
093		Connecting Cable, Gas Valve	7823 829 ⁶	7823 829 ⁶		
094		Connecting Cable, Ign.Transf.Module	7823 972 ⁶	7823 972 ⁶		
096		Connection Cable, Power/Pump Module WB1A	7826 323 ^D	7826 323 ^D		
200		Front Panel	7823 832 ¹⁷	7823 832 ¹⁷		
201		Spring Clip Set (Front Panel)	7823 833 ⁴	7823 833 ⁴		
202		Cover (Flip-Down)	7823 831 ⁹	7823 831 ⁹		
300		Touch-UP Spray Paint "Vitowhite"	7822 681 ⁹	7822 681 ⁹		
301		Touch-UP Paint Stk "Vitowhite"	7822 682 ⁵	7822 682 ⁵		
302		Pressure Switch Hose	7823 843 ⁶	7823 843 ⁶		
303		Flapper (air/fuel)	7374 870 ⁸	7374 870 ⁸		
400		Installation Fittings	7134 767 ^D	7134 767 ^D		
401		Installation / Service Instructions	5581 775 ^L	5581 775 ^L		
402		Operating Instructions	5581 532 ^L	5581 532 ^L		
403		Quick Start-up Guide	5347 710 ^L	5347 710 ^L		
404		Warranty Sheet Condensing	5348 723 ^L	5348 723 ^L		
405		Parts List	5347 709 ^L	5347 709 ^L		
406	*1	Pr.Rel Valve, 3/4" (FF) 30PSI Conbraco	9542 940 ⁸	9542 940 ⁸		
407	*1	Pr.Rel Valve, 3/4" x 3/4" 45PSI Conbraco	9549 944 ¹¹	9549 944 ¹¹		

Notes:

*1 IMPORTANT 30 psi pressure relief valve is standard equipment shipped with boiler; 45 psi valve is optional equipment.

WARNING Boiler is for use with natural gas **only!**

IMPORTANT Vitodens 100-W installed with a low-loss header does not utilize a #5 sensor.

"n.a." indicates not applicable.

"W" indicates wearing part (service).

"L" indicates literature (no charge).

"Kit" or "Other" indicates that this is not a Price Category item; contact Inside Sales for pricing.

Parts List



VITODENS 100-W WB1A Series

Model No. Serial No. *1
 WB1A 24 7246174□□□□□□□□□□
 WB1A 32 7246175□□□□□□□□□□

Please file in Service Binder

Ordering Replacement Parts:
 Please provide Model and Serial Number from rating plate (A) when ordering replacement parts. Order replacement components from your Viessmann distributor.

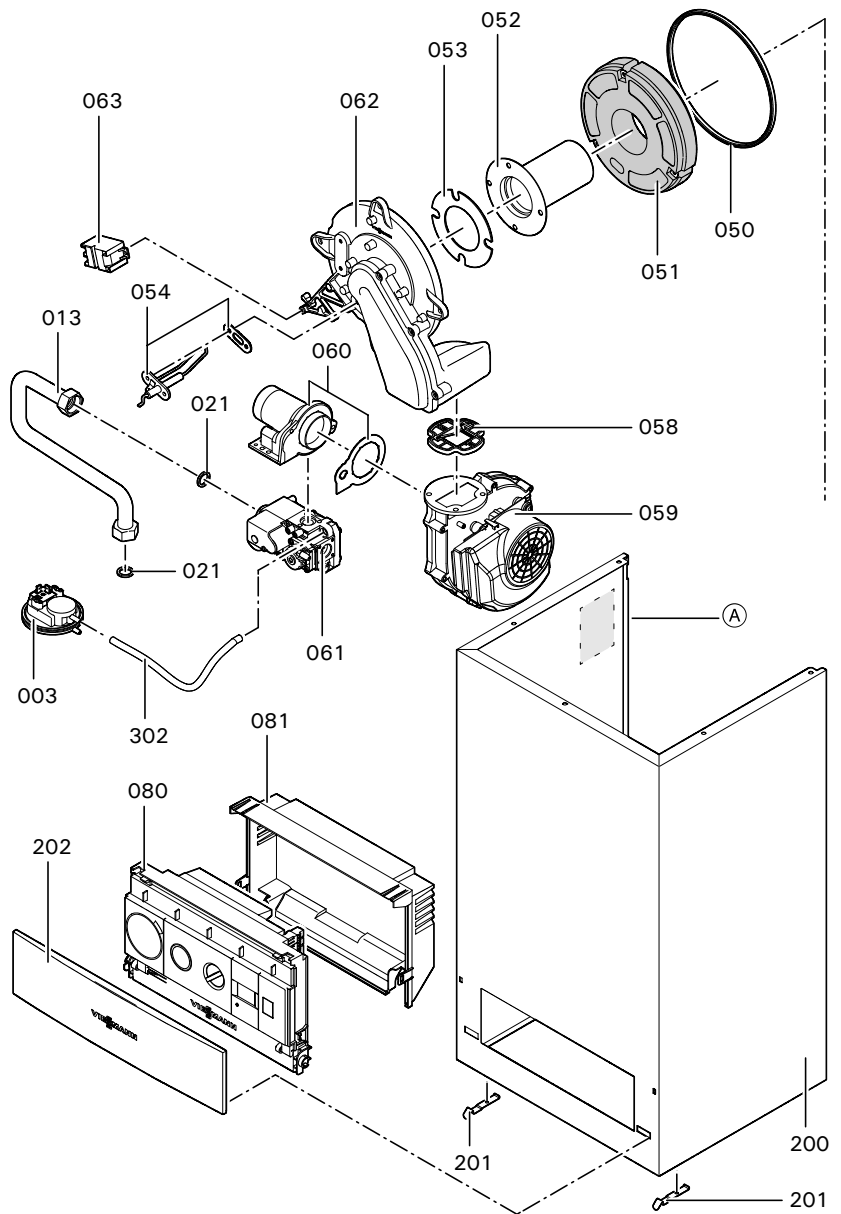
Parts

- 003 Air pressure switch
- 013 Gas connection pipe
- 021 Gasket set for gas connection pipe, 17x24x2mm
- 050 Burner gasket
- 051 Combustion chamber door refractory
- 052 Burner tube
- 053 Burner tube gasket
- 054 Ignition and ionization electrode block
- 058 Flapper
- 059 Radial fan RG130, 120/1/60
- 060 Air + gas inlet venturi Type 002
- 061 Gas valve VK4115V, 120/1/60
- 062 Burner mounting flange assembly
- 063 Ignition transformer module ZIG 2/12
- 080 Control console
- 081 Control housing, rear
- 200 Front panel
- 201 Spring clip set for front panel
- 202 Flip-down cover
- 302 Pressure switch hose

Other Parts (not illustrated)

- 300 Touch-up spray paint "Vitowhite"
- 301 Touch-up paint stick "Vitowhite"
- 400 Installation fittings
- 401 Installation / Service Instructions
- 402 Operating Instructions
- 403 Quick Start-Up Guide
- 404 Warranty Sheet Condensing
- 405 Parts List

(A) CSA rating plate (with serial number)



5347 709 2/2007

VITODENS 100-W

WB1A Series

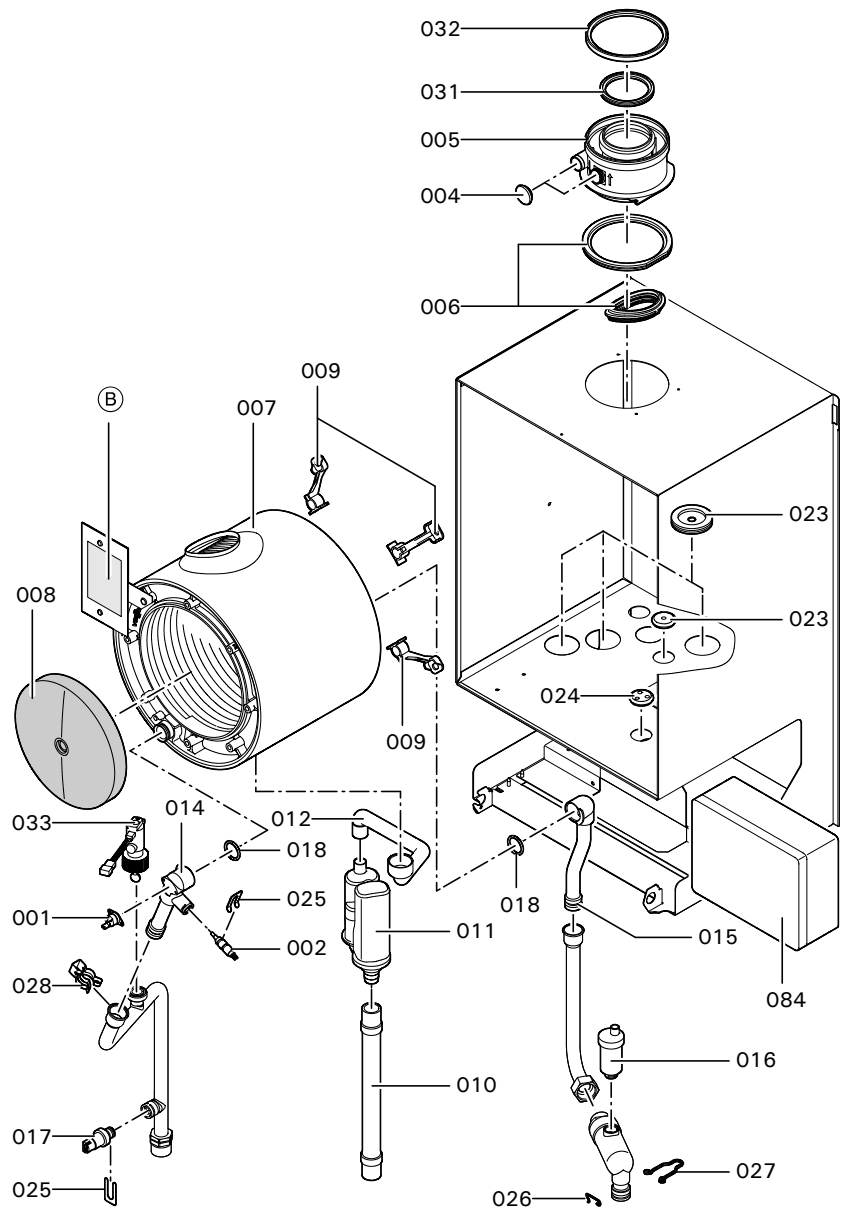
Parts

- 001 Fixed high limit, 210°F/99°C
- 002 Boiler sensor
- 004 Test port cap (set of 2)
- 005 Vent pipe adaptor
- 006 Gasket set for flue gases
- 007 Heat exchanger assembly, ASME
- 008 Combustion chamber refractory
- 009 Support bracket set for heat exchanger
- 010 Condensate hose, 400mm
- 011 P-trap
- 012 Condensate pipe
- 014 Heating supply connection pipe
- 015 Heating return connection pipe
- 016 Air vent w shut-off base, 3/8"
- 017 Water pressure sensor
- 018 O-ring set for heat exchanger, 21x3mm
- 023 Sealing grommet set
- 024 Sealing grommet
- 025 Fastener set for sensors
- 026 Locking clip set for return
- 027 Fastener set for return pipe
- 028 Fastener set for supply pipe
- 031 Flue gasket, 60mm
- 032 Flue gasket, 100mm
- 033 Flow switch, VK315M
- 084 Power/pump module, 120/1/60

Other Parts (not illustrated)

- 019 O-ring set for supply/return, 18x3mm
- 020 Gasket set for water pressure sensor, 10x2mm
- 022 Gasket set for P-trap, 19x2mm
- 029 Fastener set, 10mm
- 080 Connection cable, power/pump module
- 083 Fuse, 4.0A/250V (pkg of 10)
- 090 Wiring harness, X8
- 091 Wiring harness, X9
- 092 Connecting cable, fan
- 093 Connecting cable, gas valve
- 094 Connecting cable, ignition transformer module

ⓑ ASME Rating plate



VITODENS 200

Vitodens 200	WB2B 19	WB2B 26	WB2B 35	WB2B 45	WB2B 60	WB2B 80	WB2B 105	
Shipping Overview	Price List Section: 2.6 Parts Catalog Section: 10 Series Name: WB2B Accurate as of: 07/01/2012							
9/2009 -	Single-boiler installations				Vitotronic 200			
	WB2B857	WB2B858	WB2B859	WB2B860	WB2B861	WB2B912	WB2B913	
Boiler	7374 863	7374 864	7374 865	7374 866	7374 867	7424 193	7424 194	
Inst Fittings	7427 301	7427 301	7427 301	7427 302	7427 302	7427 303	7427 303	
9/2009 -	Single- / multiple-boiler installations				Vitotronic 200 with 0-10VDC BMS control capabilities			
	WB2B857	WB2B858	WB2B859	WB2B860	WB2B861	WB2B912	WB2B913	
Boiler	7374 863	7374 864	7374 865	7374 866	7374 867	7424 193	7424 194	
Inst Fittings	7427 301	7427 301	7427 301	7427 302	7427 302	7427 303	7427 303	
9/2009 -	Multiple-boiler installations				Vitotronic 200 with 0-10VDC BMS control capabilities with Multiple Boiler Low-Loss Distribution Manifold			
				WB2B895	WB2B896	WB2B914	WB2B915	
Boiler				7374 866	7374 867	7424 193	7424 194	
Inst Fittings				7428 825	7428 825	7428 826	7428 826	
9/2009 -	Multiple-boiler installations				Vitotronic 100 with KMK BUS Comm. Module control capabilities with Vitocontrol-S multiple-boiler staging control			
				WB2B867	WB2B868	WB2B916	WB2B917	
Boiler				7374 866	7374 867	7424 193	7424 194	
Inst Fittings				7428 068	7428 068	7428 069	7428 069	
9/2009 -	Multiple-boiler installations				Vitotronic 100 with KMK BUS Comm. Module control capabilities with Vitocontrol-S multiple-boiler staging control with Multiple Boiler Low-Loss Distribution Manifold			
				WB2B902	WB2B903	WB2B918	WB2B919	
Boiler				7374 866	7374 867	7424 193	7424 194	
Inst Fittings				7428 828	7428 828	7428 829	7428 829	

VITODENS 200

Vitodens 200	WB2B 19	WB2B 26	WB2B 35	WB2B 45	WB2B 60	WB2B 80	WB2B 105	
Shipping Overview	Price List Section: 2.6 Parts Catalog Section: 10 Series Name: WB2B Accurate as of: 07/01/2012							
3/2010 -	Single-boiler installations		Vitotronic 200		WB2B912 WB2B913			
	Boiler				7424 193	7424 194		
	Inst Fittings				7439 305	7439 305		
3/2010 -	Single- / multiple-boiler installations		Vitotronic 200 with 0-10VDC BMS control capabilities		WB2B912 WB2B913			
	Boiler				7424 193	7424 194		
	Inst Fittings				7439 305	7439 305		
3/2010 -	Multiple-boiler installations		Vitotronic 200 with 0-10VDC BMS control capabilities with Multiple Boiler Low-Loss Distribution Manifold		WB2B914 WB2B915			
	Boiler				7424 193	7424 194		
	Inst Fittings				7439 306	7439 306		
3/2010 -	Multiple-boiler installations		Vitotronic 100 with KMK BUS Comm. Module control capabilities with Vitocontrol-S multiple-boiler staging control		WB2B916 WB2B917			
	Boiler				7424 193	7424 194		
	Inst Fittings				7439 307	7439 307		
3/2010 -	Multiple-boiler installations		Vitotronic 100 with KMK BUS Comm. Module control capabilities with Vitocontrol-S multiple-boiler staging control with Multiple Boiler Low-Loss Distribution Manifold		WB2B918 WB2B919			
	Boiler				7424 193	7424 194		
	Inst Fittings				7439 308	7439 308		

VITODENS 200-W

Vitodens 200-W	WB2B-19 7374 863	WB2B-26 7374 864	WB2B-35 7374 865	
General Info	Price List Section:	2.6		
	Parts Catalog Section:	10		
	Series Name:	WB2B		
	Applies to serial nos. beginning with:	7374863...	7374864...	7374865...
	Accurate as of:	07/01/2012		

Parts List

Please refer to: Parts List
Pos. Description

Part Numbers / Price Categories

Pos.	Description	7819 971 ⁷	7819 971 ⁷	7819 971 ⁷
001	Air Vent w Shut-off Base, 3/8"			
002	Heating Supply Conn. Pipe (Ht.Exch)	7831 386 ¹⁸	7831 386 ¹⁸	7831 386 ¹⁸
003	Heating Supply Conn. Pipe Extension	7831 482 ¹⁵	7831 482 ¹⁵	7831 482 ¹⁵
004	Heating Return Conn. Pipe (Ht.Exch)	7831 388 ¹¹	7831 388 ¹¹	7831 388 ¹¹
005	Heating Return Conn. Pipe Extension	7831 484 ¹²	7831 484 ¹²	7831 484 ¹²
006	Heat Exchanger Assly, ASME	7831 385 ⁵³	7831 385 ⁵³	7831 385 ⁵³
007	Gasket (Flue Gas)	7828 645 ⁵	7828 645 ⁵	7828 645 ⁵
008	Press. Gage (PSI)	7831 486 ¹¹	7831 486 ¹¹	7831 486 ¹¹
009	Condensate Pipe	7828 426 ⁹	7828 426 ⁹	7828 426 ⁹
010	Condensate Hose	7826 464 ⁷	7826 464 ⁷	7826 464 ⁷
011	Condensate Hose	7818 021 ⁶	7818 021 ⁶	7818 021 ⁶
012	Test Port Cap (Set of 2)	7822 742 ⁶	7822 742 ⁶	7822 742 ⁶
013	Vent Pipe Adaptor 60/100	7826 466 ⁸	7826 466 ⁸	7826 466 ⁸
014	Air Intake Cover	7827 389 ⁴	7827 389 ⁴	7827 389 ⁴
015	Gasket (Flue Gas), DN 60	7826 471 ⁴	7826 471 ⁴	7826 471 ⁴
016	Air Intake Cap	7827 414 ⁴	7827 414 ⁴	7827 414 ⁴
017	Sealing Grommet, DN60	7827 995 ⁶	7827 995 ⁶	7827 995 ⁶
018	Comb.Chbr.Refr.	7830 016 ¹¹	7830 016 ¹¹	7830 016 ¹¹
019	Gas Connection Pipe	7831 485 ¹⁴	7831 485 ¹⁴	7831 485 ¹⁴
020	Fastener Set (Return Pipe)	7826 221 ⁸	7826 221 ⁸	7826 221 ⁸
021	Clip D=8 (Set of 5)	7827 943 ⁶	7827 943 ⁶	7827 943 ⁶
022	Connector Retaining Clip (Set of 2)	7822 769 ⁵	7822 769 ⁵	7822 769 ⁵
023	Sealing Grommet Set	7831 393 ⁹	7831 393 ⁹	7831 393 ⁹
024	O-Ring Set (Heat Exchanger 21x3mm)	7826 214 ⁴	7826 214 ⁴	7826 214 ⁴
025	O-Ring Set (Supply/Return 18x3mm)	7826 215 ⁴	7826 215 ⁴	7826 215 ⁴
026	Support Bracket Set (Heat Exch.)	7823 849 ⁷	7823 849 ⁷	7823 849 ⁷
027	Spring Clips (Set)	7820 118 ⁶	7820 118 ⁶	7820 118 ⁶
028	Front Panel	7826 366 ¹⁷	7826 366 ¹⁷	7826 366 ¹⁷
029	Mounting Clip (Set of 2)	7817 500 ³	7817 500 ³	7817 500 ³
030	Wall-Mount Bracket Assly	7354 085 ¹⁰	7354 085 ¹⁰	7354 085 ¹⁰
050	Burner Gasket, 187x5.5mm	7823 834 ⁵	7823 834 ⁵	7823 834 ⁵
051	Comb.Ch.Dr.Refr.	7828 346 ⁹	7828 346 ⁹	7828 346 ⁹
052	Burner Tube	7826 513 ¹⁹	7826 513 ¹⁹	7826 513 ¹⁹
053	Gasket (Burner Tube)	7826 514 ⁵	7826 514 ⁵	7826 514 ⁵
054 W	Ignition Electrode w Gskt	7826 516 ⁸	7826 516 ⁸	7826 516 ⁸
055 W	Ionization Electrode w Gsk	7834 234 ¹¹	7834 234 ¹¹	7834 234 ¹¹
058	Gasket (Radial Fan)	7826 506 ⁶	7826 506 ⁶	7826 506 ⁶
059 W	Radial Fan NRG118 w Gskts	7831 487 ²⁸	7831 487 ²⁸	7831 487 ²⁸
061	Gas Valve CES w Gskts	7826 508 ²⁰	7826 508 ²⁰	7826 508 ²⁰
062	Burner Mounting Flange Assly w Gskts	7826 519 ¹⁴	7826 519 ¹⁴	7826 519 ¹⁴
063 W	Ign. Transformer, BW12126-00	7827 957 ¹¹	7827 957 ¹¹	7827 957 ¹¹
070	Gasket (Electrode Block)	7827 024 ⁶	7827 024 ⁶	7827 024 ⁶
071	Gasket (Ignition Electrode)	7827 025 ⁶	7827 025 ⁶	7827 025 ⁶
072	Gasket Set (Gas Conn. Pipe)	7827 026 ⁴	7827 026 ⁴	7827 026 ⁴
073	Fixed Orifice NG + LP	7827 485 ⁵	7827 485 ⁵	7827 485 ⁵

VITODENS 200-W

Vitodens 200-W	WB2B-19 7374 863	WB2B-26 7374 864	WB2B-35 7374 865	
General Info	Price List Section:	2.6		
	Parts Catalog Section:	10		
	Series Name:	WB2B		
	Applies to serial nos. beginning with:	7374863...	7374864...	7374865...
	Accurate as of:	07/01/2012		

Parts List

Please refer to: Parts List
Pos. Description

Part Numbers / Price Categories

Pos.	Description	Part Numbers / Price Categories	Part Numbers / Price Categories	Part Numbers / Price Categories
074	Venturi Extension w Gskt	7827 958 ⁸	7827 958 ⁸	7827 958 ⁸
080	Control Console	7834 245 ⁴²	7834 245 ⁴²	7834 245 ⁴²
081	Back Cover, Control Console	7822 749 ⁷	7822 749 ⁷	7822 749 ⁷
082	Fastening Clip (10 Pack)	7818 063 ⁶	7818 063 ⁶	7818 063 ⁶
083	Ctrl Housing, Bottom	7822 890 ¹¹	7822 890 ¹¹	7822 890 ¹¹
084	Cover (Flip-Down)	7822 891 ¹¹	7822 891 ¹¹	7822 891 ¹¹
085	Press. Gage Insert	7822 707 ⁴	7822 707 ⁴	7822 707 ⁴
086	Clip (Ctrl Housing, Set of 10)	7822 708 ⁵	7822 708 ⁵	7822 708 ⁵
087	Hinges (Ctrl Housing, Set of 10)	7822 709 ⁷	7822 709 ⁷	7822 709 ⁷
089 W	Fuse, 6.3A/250V (Pkg of 10)	7404 365 ⁶	7404 365 ⁶	7404 365 ⁶
091	Vitotronic 200 H01	7825 182 ⁴⁵	7825 182 ⁴⁵	7825 182 ⁴⁵
093	LON Communication Module H01 c/w Adaptor	7179 113 ³³	7179 113 ³³	7179 113 ³³
094	Circuit Board (LON Module Adaptor)	7823 033 ¹⁰	7823 033 ¹⁰	7823 033 ¹⁰
095	Fuse Holder	7823 502 ⁴	7823 502 ⁴	7823 502 ⁴
096	Counter Plug	7823 515 ¹⁰	7823 515 ¹⁰	7823 515 ¹⁰
097	Strain Relief (Set of 10)	7823 516 ⁶	7823 516 ⁶	7823 516 ⁶
098	Coding Plug 0-5000ft	7833 221 ⁷	7833 223 ⁷	7833 225 ⁷
099	Coding Plug 5000-10000ft	7424 902 ¹¹	7424 903 ¹¹	7424 904 ¹¹
100	Wiring Harness, X8/X9	7831 478 ¹⁶	7831 478 ¹⁶	7831 478 ¹⁶
101	Connecting Cable, Radial Fan 100	7826 387 ⁹	7826 387 ⁹	7826 387 ⁹
103	Connecting Cable, Step-Motor	7826 389 ⁷	7826 389 ⁷	7826 389 ⁷
106	Access Protection	7817 523 ⁵	7817 523 ⁵	7817 523 ⁵
150	Sensor #1 (Outdoor)	7820 148 ¹⁹	7820 148 ¹⁹	7820 148 ¹⁹
151	Sensor #15 (Flue Gas)	7822 767 ⁸	7822 767 ⁸	7822 767 ⁸
152	Fixed High Limit, 210°F/99°C	7825 487 ¹⁴	7825 487 ¹⁴	7825 487 ¹⁴
153	Sensor #3 (Boiler)	7819 967 ¹⁴	7819 967 ¹⁴	7819 967 ¹⁴
154	Flow Switch VK315M	7826 314 ¹³	7826 314 ¹³	7826 314 ¹³
202	Touch-UP Spray Paint "Vitowhite"	7822 681 ⁹	7822 681 ⁹	7822 681 ⁹
203	Touch-UP Paint Stick "Vitowhite"	7822 682 ⁵	7822 682 ⁵	7822 682 ⁵

VITODENS 200-W

Vitodens 200-W	WB2B-19 7374 863	WB2B-26 7374 864	WB2B-35 7374 865	
General Info	Price List Section:	2.6		
	Parts Catalog Section:	10		
	Series Name:	WB2B		
	Applies to serial nos. beginning with:	7374863...	7374864...	7374865...
	Accurate as of:	07/01/2012		

Parts List

Please refer to: Parts List

Pos. Description Part Numbers / Price Categories

400	Installation Fittings with Vitotronic 200	7427 301 ⁷²	7427 301 ⁷²	7427 301 ⁷²	
405	Vitotronic 200 HO1 (with OTS)	7193 952 ⁴⁸	7193 952 ⁴⁸	7193 952 ⁴⁸	
410	Power/Pump Ctrl Module	7436 069 ⁵¹	7436 069 ⁵¹	7436 069 ⁵¹	
415 ^{*1}	Pr.Rel Valve, 3/4" (FF) 30PSI	9542 940 ⁸	9542 940 ⁸	9542 940 ⁸	
415	Pr.Rel Valve, 3/4" x 3/4" 45PSI	9549 944 ¹¹	9549 944 ¹¹	9549 944 ¹¹	
416	Nipple, 3/4" x 2" Brass	9570 696 ⁴	9570 696 ⁴	9570 696 ⁴	
417	Sediment Faucet, 3/4" NPT	9542 942 ⁵	9542 942 ⁵	9542 942 ⁵	
418	Tee, 3/4" Brass	9549 933 ⁷	9549 933 ⁷	9549 933 ⁷	
419	Nipple, 3/4" x 4 1/2" Short Brass	9636 721 ⁶	9636 721 ⁶	9636 721 ⁶	
420	Gas Ball Valve, 3/4" Brass	7134 783 ⁶	7134 783 ⁶	7134 783 ⁶	
423	Extension, 3/4" x 2 1/4" Brass	9549 931 ⁶	9549 931 ⁶	9549 931 ⁶	
425	Access. Pack (Mtl.Stud Mt.Kit)	7134 206 ⁵	7134 206 ⁵	7134 206 ⁵	
426	Access. Pack (Venting Fasteners)	7134 242 ⁸	7134 242 ⁸	7134 242 ⁸	
430	Technical Literature Set	7427 299 ^L	7427 299 ^L	7427 299 ^L	
431	LPG Conversion Labels	7428 427 ⁶	7428 427 ⁶	7428 427 ⁶	
432	Installation Instructions	5369 297 ^L	5369 297 ^L	5369 297 ^L	
433	Service Instructions	5418 911 ^L	5418 911 ^L	5418 911 ^L	
434	Operating Instructions	5369 299 ^L	5369 299 ^L	5369 299 ^L	
436	Install. Instr. Venting System WB1B/WB2B	5368 815 ^L	5368 815 ^L	5368 815 ^L	
437	Warranty Sheet Condensing, Resid v2	5348 723 ^L	5348 723 ^L	5348 723 ^L	
438	Parts List Inst. Fittings	5369 304 ^L	5369 304 ^L	5369 304 ^L	

Notes:

*1 IMPORTANT 30 psi pressure relief valve is standard equipment shipped with boiler; 45 psi valve is optional equipment.

"n.a." indicates not applicable.

"W" indicates wearing part (service).

"L" indicates literature (no charge).

"Kit" or "Other" indicates that this is not a Price Category item; contact Inside Sales for pricing.

Parts List



VITODENS 200-W WB2B Series

Model No.	Serial No.
WB2B 19	7374863□□□□□□□□
WB2B 26	7374864□□□□□□□□
WB2B 35	7374865□□□□□□□□

Ordering Replacement Parts:

Please provide model no. from rating plate (A) and serial no. when ordering replacement parts. Order replacement components from your Viessmann distributor.

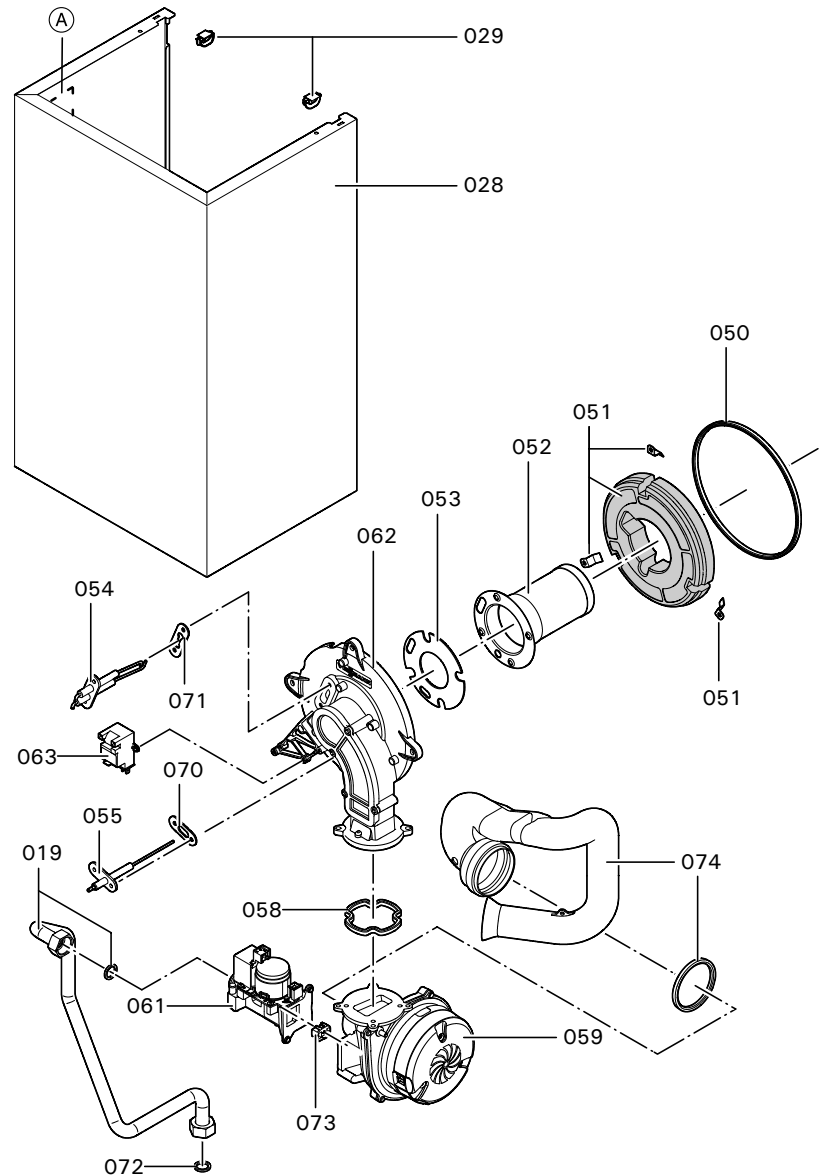
Parts

- 019 Gas connection pipe
- 028 Front panel
- 029 Mounting clip
(set of 2)
- 050 Burner gasket, 187 x 5.5mm
- 051 Combustion chamber door
refractory
- 052 Burner tube
- 053 Gasket for burner tube
- 054 Ignition electrode with gasket
- 055 Ionization electrode with gasket
- 058 Gasket for radial fan
- 059 Radial fan NRG118 with gaskets
- 061 Gas valve CES with gaskets
- 062 Burner mounting flange assembly
with gaskets
- 063 Ignition transformer, BW12126-00
- 070 Electrode block gasket
- 071 Ignition electrode gasket
- 072 Gasket set for gas connection pipe
- 073 Fixed orifice, NG + LP
- 074 Venturi extension with gasket

Other Parts (not illustrated)

- 202 Touch-up spray paint "Vitowhite"
- 203 Touch-up paint stick "Vitowhite"

(A) CSA Rating Plate



Please file in Service Binder

VITODENS 200-W

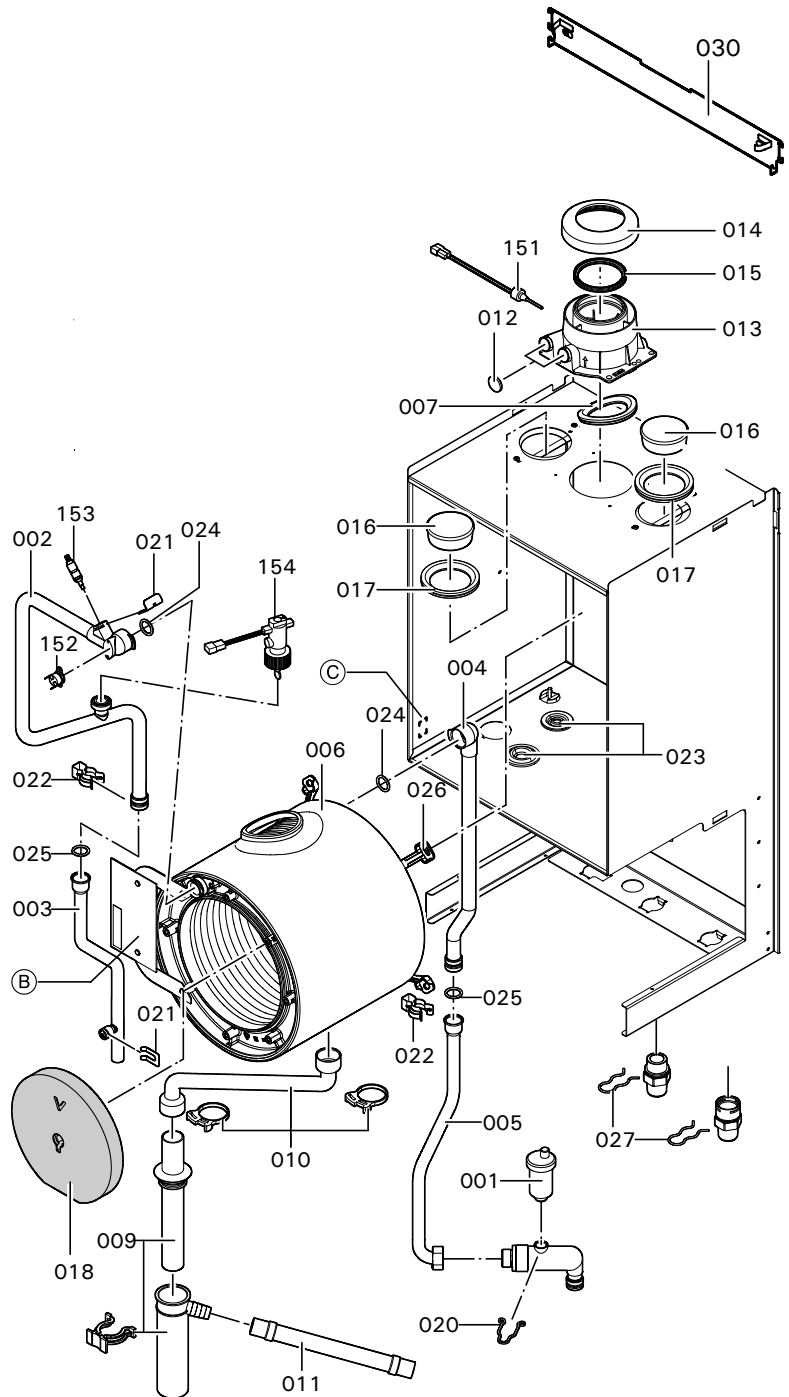
WB2B Series

Model No.	Serial No.
WB2B 19	7374863□□□□□□□□
WB2B 26	7374864□□□□□□□□
WB2B 35	7374865□□□□□□□□

Parts

- 001 Air vent w shut-off base, 3/8"
- 002 Heating supply connection pipe for heat exchanger
- 003 Heating supply connection pipe extension
- 004 Heating return connection pipe for heat exchanger
- 005 Heating return connection pipe extension
- 006 Heat exchanger assembly, ASME
- 007 Flue gas gasket
- 009 Condensate pipe
- 010 Condensate hose
- 011 Condensate hose
- 012 Test port cap (set of 2)
- 013 Vent pipe adaptor 60/100
- 014 Air intake cover
- 015 Air intake gasket, DN60
- 016 Air intake cap
- 017 Sealing grommet, DN60
- 018 Combustion chamber refractory
- 020 Fastener set for return pipe
- 021 Clip d = 8mm (set of 5)
- 022 Connector retaining clip (set of 2)
- 023 Sealing grommet set
- 024 O-Ring set for heat exchanger, 21x3mm
- 025 O-Ring set for supply/return, 18x3mm
- 026 Support bracket set for heat exchanger
- 027 Spring clip set
- 030 Wall-mount bracket assembly
- 151 Flue gas temperature sensor
- 152 Fixed high limit, 210°F/99°C
- 153 Boiler temperature sensor
- 154 Flow switch, VK315M

- Ⓑ ASME Rating Plate
- Ⓒ Boiler Serial No.



VITODENS 200-W WB2B Series

Model No.	Serial No.
WB2B 19	7374863□□□□□□□□
WB2B 26	7374864□□□□□□□□
WB2B 35	7374865□□□□□□□□

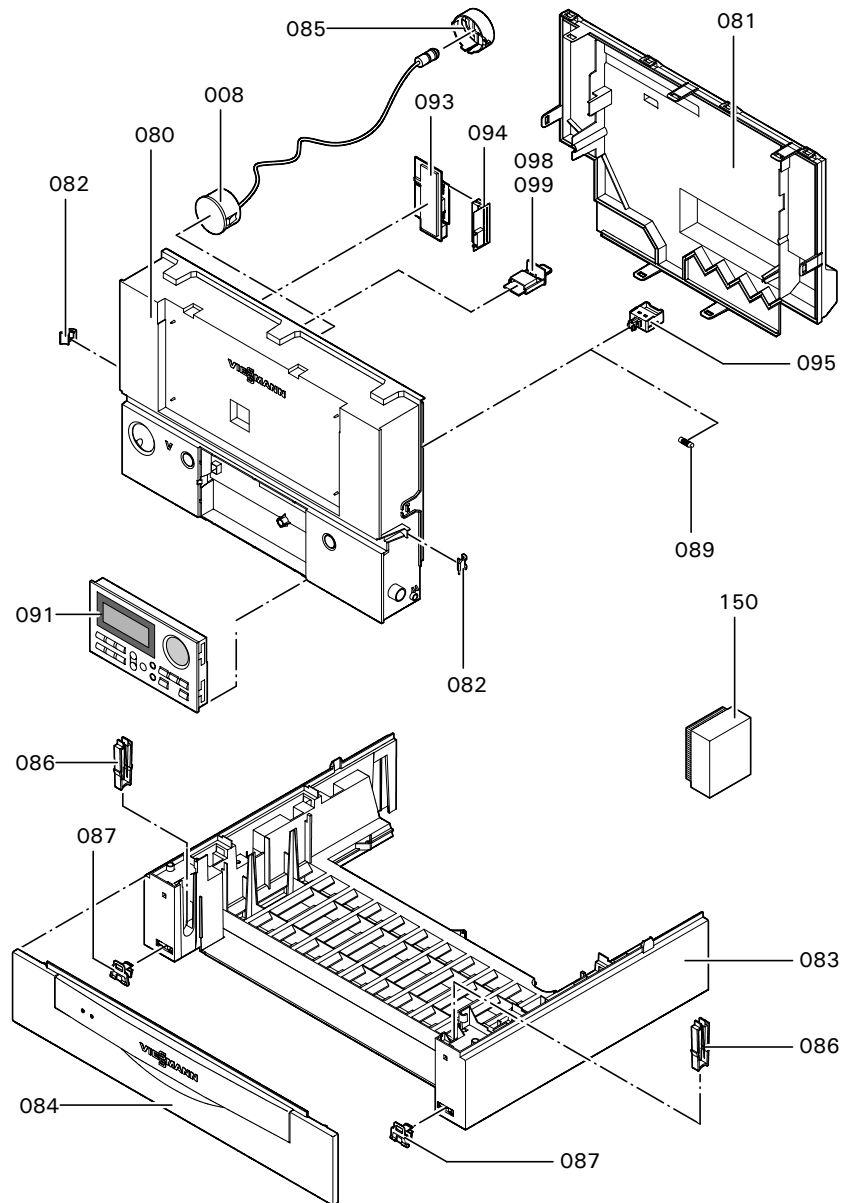
Parts

- 008 Pressure gage, PSI
- 080 Control console
- 081 Back cover, control console
- 082 Fastening clip
(set of 10)
- 083 Control housing, bottom
- 084 Flip-down cover
- 085 Pressure gage insert
- 086 Clip for control housing,
(set of 10)
- 087 Hinges for control housing
(set of 10)
- 089 Fuse, 6.3A/250V
(set of 10)
- 091 Vitotronic 200 H01
- 093 LON communication module H01
with LON module adaptor
(Pos. 094)
- 094 Circuit board
(LON module adaptor)
- 095 Fuse holder
- 098 Coding plug for 0-5000ft
- 099 Coding plug for 5000-10000ft
- 150 Outdoor temperature sensor

Other Parts (not illustrated)

- 400 Installation fittings *1
- 410 Power/pump control module *2
- 430 Technical Literature Set
- 431 LPG conversion labels
- 432 Installation Instructions
- 433 Service Instructions
- 434 Operating Instructions
and User's Information Manual
- 436 Installation Instructions
for Venting System
- 437 Warranty Sheet
- 438 Parts List, Installation Fittings

*1 See separate Parts List for installation fittings.
*2 See separate Parts List for power/pump control module.



VITODENS 200-W

Vitodens 200-W	WB2B-45 7374 866	WB2B-60 7374 867	
General Info	Price List Section:	2.6	
	Parts Catalog Section:	10	
	Series Name:	WB2B	
	Applies to serial nos. beginning with:	7374866...	7374867...
	Accurate as of:	11/13/2012	

Parts List

Please refer to: Parts List
Pos. Description

001	Air Vent w Shut-off Base, 3/8"	7819 971 ⁷	7819 971 ⁷		
002	Spring Clip (Set of 5)	7827 430 ⁴	7827 430 ⁴		
003	Gasket (Flue Gas), DN80	7824 837 ⁶	7824 837 ⁶		
004	Gasket (Air Intake), DN125	7818 138 ⁸	7818 138 ⁸		
005	Condensate Hose	7818 021 ⁶	7818 021 ⁶		
006	Press. Gage (PSI)	7831 457 ¹¹	7831 457 ¹¹		
007	Heat Exchanger Assly, ASME	7831 459 ⁷⁹	7831 459 ⁷⁹		
008	Comb.Chbr.Refr.	7835 597 ¹²	7835 597 ¹²		
009	Condensate Hose	7826 535 ⁷	7826 535 ⁷		
010	Vent Pipe Adaptor 80/125	7827 960 ¹²	7827 960 ¹²		
011	Gas Connection Pipe	7826 537 ¹¹	7826 537 ¹¹		
012	Sealing Grommet Set	7826 539 ⁷	7826 539 ⁷		
013	Air Bleed Header	7831 455 ²⁰	7831 455 ²⁰		
014	Gasket Set	7826 540 ⁴	7826 540 ⁴		
015	Gasket (Flue Gas), DN80	7826 541 ⁶	7826 541 ⁶		
016	Flow Switch VK332M	7826 542 ¹²	7826 542 ¹²		
017	Test Port Cap (Set of 2)	7822 742 ⁶	7822 742 ⁶		
018	Condensate Pipe	7828 426 ⁹	7828 426 ⁹		
019	Heating Supply Conn. Pipe	7826 544 ¹⁸	7826 544 ¹⁸		
020	Heating Return Conn. Pipe	7826 545 ¹⁴	7826 545 ¹⁴		
021	Wall-Mount Bracket	7826 547 ⁷	7826 547 ⁷		
022	Cover Panel	7826 548 ¹³	7826 548 ¹³		
023	Heating Return Conn. Pipe	7826 546 ¹⁵	7826 546 ¹⁵		
024	Sensor #15 (Flue Gas)	7822 767 ⁸	7822 767 ⁸		
050	Burner Gasket, 299x5.6mm	7826 520 ¹³	7826 520 ¹³		
051	Comb.Ch.Dr.Refr.	7828 337 ¹¹	7828 337 ¹¹		
052	Burner Tube	7831 997 ²¹	7831 997 ²¹		
053	Gasket (Burner Tube)	7826 524 ⁶	7826 524 ⁶		
054 W	Ignition Electrode w Gskt	7829 798 ⁹	7829 798 ⁹		
055 W	Ionization Electrode w Gsk	7834 235 ¹²	7834 235 ¹²		
058	Gasket (Radial Fan)	7826 506 ⁶	7826 506 ⁶		
059 W	Radial Fan RG148 w Gskts	7831 456 ³⁶	7831 456 ³⁶		
061	Gas Valve CES w Gskts	7826 508 ²⁰	7826 508 ²⁰		
062	Burner Mounting Flange Assly w Gskts	7826 530 ¹⁷	7826 530 ¹⁷		
063 W	Ign. Transformer, BW12126-00	7827 957 ¹¹	7827 957 ¹¹		
070	Gasket (Ioniz. Electrode)	7827 031 ⁶	7827 031 ⁶		
071	Gasket (Ignition Electrode)	7827 025 ⁶	7827 025 ⁶		
072	Gasket Set (Gas Conn. Pipe)	7827 026 ⁴	7827 026 ⁴		
073	Fixed Orifice NG + LP	7827 487 ⁵	7827 487 ⁵		
074	Venturi Extension w Gskt	7827 962 ⁹	7827 962 ⁹		
080	Front Panel	7826 367 ¹⁸	7826 367 ¹⁸		
081	Mounting Clip (Set of 2)	7817 500 ³	7817 500 ³		
100	Control Console	7834 245 ⁴²	7834 245 ⁴²		
101	Back Cover, Control Console	7822 749 ⁷	7822 749 ⁷		
102	Fastening Clip (10 Pack)	7818 063 ⁶	7818 063 ⁶		

VITODENS 200-W

Vitodens 200-W	WB2B-45 7374 866	WB2B-60 7374 867	
-----------------------	----------------------------	----------------------------	--

General Info	Price List Section:	2.6	
	Parts Catalog Section:	10	
	Series Name:	WB2B	
	Applies to serial nos. beginning with:	7374866... 7374867...	
	Accurate as of:	11/13/2012	

Parts List

Please refer to: Parts List
Pos. Description

103	Ctrl Housing, Bottom	7822 750 ¹⁰	7822 750 ¹⁰		
104	Cover (Flip-Down)	7822 751 ⁹	7822 751 ⁹		
105	Press. Gage Insert	7822 707 ⁴	7822 707 ⁴		
106	Clip (Ctrl Housing, Set of 10)	7822 708 ⁵	7822 708 ⁵		
107	Hinges (Ctrl Housing, Set of 10)	7822 709 ⁷	7822 709 ⁷		
109 W	Fuse, 6.3A/250V (Pkg of 10)	7404 365 ⁶	7404 365 ⁶		
110	Vitotronic 100 HC1	7426 136 ²⁹	7426 136 ²⁹		
111	Vitotronic 200 H01	7825 182 ⁴⁵	7825 182 ⁴⁵		
112	Wiring Harness, X8/X9	7831 479 ¹⁶	7831 479 ¹⁶		
113	Wiring Harness, Ground	7826 718 ⁹	7826 718 ⁹		
115	LON Communication Module H01	7179 113 ³³	7179 113 ³³		
116	Circuit Board (LON Module Adaptor)	7823 033 ¹⁰	7823 033 ¹⁰		
117	Fuse Holder	7823 502 ⁴	7823 502 ⁴		
118	Coding Plug 0-5000ft	7833 227 ⁷	7833 229 ⁷		
119	Coding Plug 5000-10000ft	7424 905 ¹¹	7424 906 ¹¹		
120	Counter Plug	7823 515 ¹⁰	7823 515 ¹⁰		
121	Strain Relief (Set of 10)	7823 516 ⁶	7823 516 ⁶		
151	Sensor #1 (Outdoor)	7820 148 ¹⁹	7820 148 ¹⁹		
153	Fixed High Limit, 99°C	7825 490 ¹⁴	7825 490 ¹⁴		
154	Sensor #3 (Boiler)	7819 967 ¹⁴	7819 967 ¹⁴		
202	Touch-UP Spray Paint "Vitowhite"	7822 681 ⁹	7822 681 ⁹		
203	Touch-UP Paint Stick "Vitowhite"	7822 682 ⁵	7822 682 ⁵		

VITODENS 200-W

Vitodens 200-W	WB2B-45 7374 866	WB2B-60 7374 867	
-----------------------	----------------------------	----------------------------	--

General Info	Price List Section:	2.6	
	Parts Catalog Section:	10	
	Series Name:	WB2B	
	Applies to serial nos. beginning with:	7374866...	7374867...
	Accurate as of:	11/13/2012	

Parts List

Please refer to: Parts List
Pos. Description

400	Installation Fittings with Vitotronic 200 non-mfld	7427 302 ⁷⁶	7427 302 ⁷⁶		
401	Installation Fittings with Vitotronic 100 non-mfld	7428 068 ⁶⁷	7428 068 ⁶⁷		
402	Installation Fittings with Vitotronic 200 mfld	7428 825 ⁷³	7428 825 ⁷³		
403	Installation Fittings with Vitotronic 100 mfld	7428 828 ⁶⁶	7428 828 ⁶⁶		
405	Vitotronic 200 HO1 (with OTS)	7193 952 ⁴⁸	7193 952 ⁴⁸		
406	Vitotronic 100 HC1	7426 136 ²⁹	7426 136 ²⁹		
407	Comm. Module, KMK BUS	7441 586 ²¹	7441 586 ²¹		
410	Power/Pump Ctrl Module	7436 069 ⁵¹	7436 069 ⁵¹		
415 ^{*1}	Pr.Rel Valve, 3/4" (FF) 30PSI	9542 940 ⁸	9542 940 ⁸		
415	Pr.Rel Valve, 3/4" x 3/4" 45PSI	9549 944 ¹¹	9549 944 ¹¹		
415	Pr.Rel Valve, 3/4" x 3/4" 60PSI	9560 183 ¹¹	9560 183 ¹¹		
416	Nipple, 3/4" x 2" Brass	9570 696 ⁴	9570 696 ⁴		
417	Sediment Faucet, 3/4" NPT	9542 942 ⁵	9542 942 ⁵		
418	Tee, 3/4" Brass	9549 933 ⁷	9549 933 ⁷		
419	Nipple, 3/4" x 3" Brass	9560 496 ⁵	9560 496 ⁵		
420	Gas Ball Valve, 1"	7424 391 ⁷	7424 391 ⁷		
421	Adaptors (NPT 2-Pack)	7192 805 ¹⁶	7192 805 ¹⁶		
422	Tee, 1 1/4" x 1 1/4" x 3/4" Brass	9570 697 ¹⁰	9570 697 ¹⁰		
423	Nipple, 1 1/4" NPTM x 2 1/2" Brass	9570 778 ⁷	9570 778 ⁷		
424	Full Port Ball Valve, 1 1/4" FBV (T)	9544 348 ¹³	9544 348 ¹³		
425	Access. Pack (Mtl.Stud Mt.Kit)	7134 206 ⁵	7134 206 ⁵		
426	Access. Pack (Venting Fasteners)	7455 794 ⁸	7455 794 ⁸		
427	Gasket A - 35 x 45 x 2	7814 728 ²	7814 728 ²		
430	Technical Literature Set for Vitotronic 200	7428 423 ^L	7428 423 ^L		
430	Technical Literature Set for Vitotronic 100	7428 818 ^L	7428 818 ^L		
431	LPG Conversion Labels	7428 427 ⁶	7428 427 ⁶		
438	Parts List Inst. Fittings non-mfld	5369 305 ^L	5369 305 ^L		
439	Parts List Inst. Fittings mfld	5369 306 ^L	5369 306 ^L		

Notes:

*1 IMPORTANT 30 psi pressure relief valve is standard equipment shipped with boiler; 45 psi or 60 psi valve is optional equipment.

"n.a." indicates not applicable.

"W" indicates wearing part (service).

"L" indicates literature (no charge).

"Kit" or "Other" indicates that this is not a Price Category item; contact Inside Sales for pricing.

Parts List

VITODENS 200-W WB2B Series

Model No.	Serial No.
WB2B 45	7374866□□□□□□□□
WB2B 60	7374867□□□□□□□□

Ordering Replacement Parts:

Please provide model no. from rating plate (A) and serial no. when ordering replacement parts. Order replacement components from your Viessmann distributor.

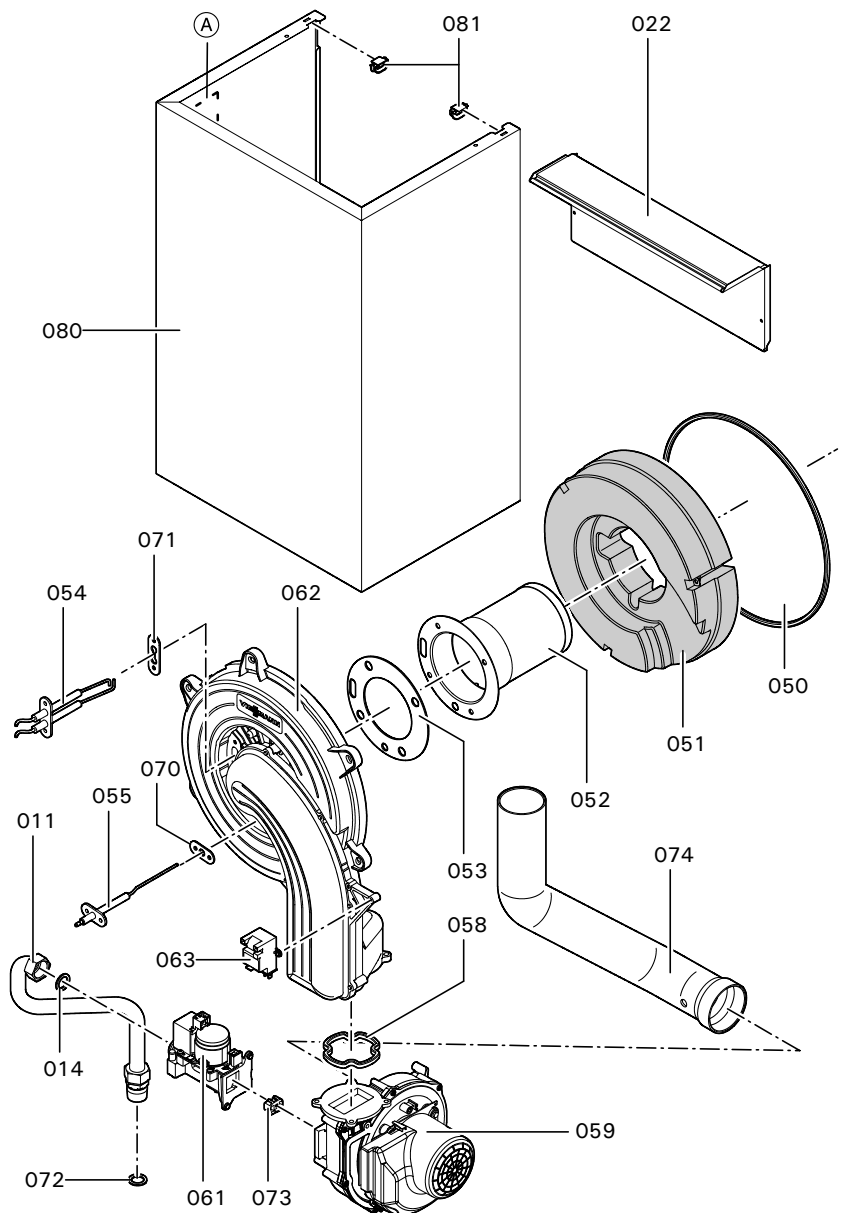
Parts

- 011 Gas connection pipe
- 014 Gasket set
- 022 Cover panel
- 050 Burner gasket, 299x5.6mm
- 051 Combustion chamber door refractory
- 052 Burner tube
- 053 Gasket for burner tube
- 054 Ignition electrode with gasket
- 055 Ionization electrode with gasket
- 058 Gasket for radial fan
- 059 Radial fan RG148 with gaskets
- 061 Gas valve CES with gaskets
- 062 Burner mounting flange assembly with gaskets
- 063 Ignition transformer, BW12126-00
- 070 Gasket for ionization electrode
- 071 Gasket for ignition electrode
- 072 Gasket set for gas connection pipe
- 073 Fixed orifice, NG + LP
- 074 Venturi extension with gasket
- 080 Front panel
- 081 Mounting clip (set of 2)

Other Parts (not illustrated)

- 202 Touch-up spray paint "Vitowhite"
- 203 Touch-up paint stick "Vitowhite"

(A) CSA Rating Plate



Please file in Service Binder

VITODENS 200-W

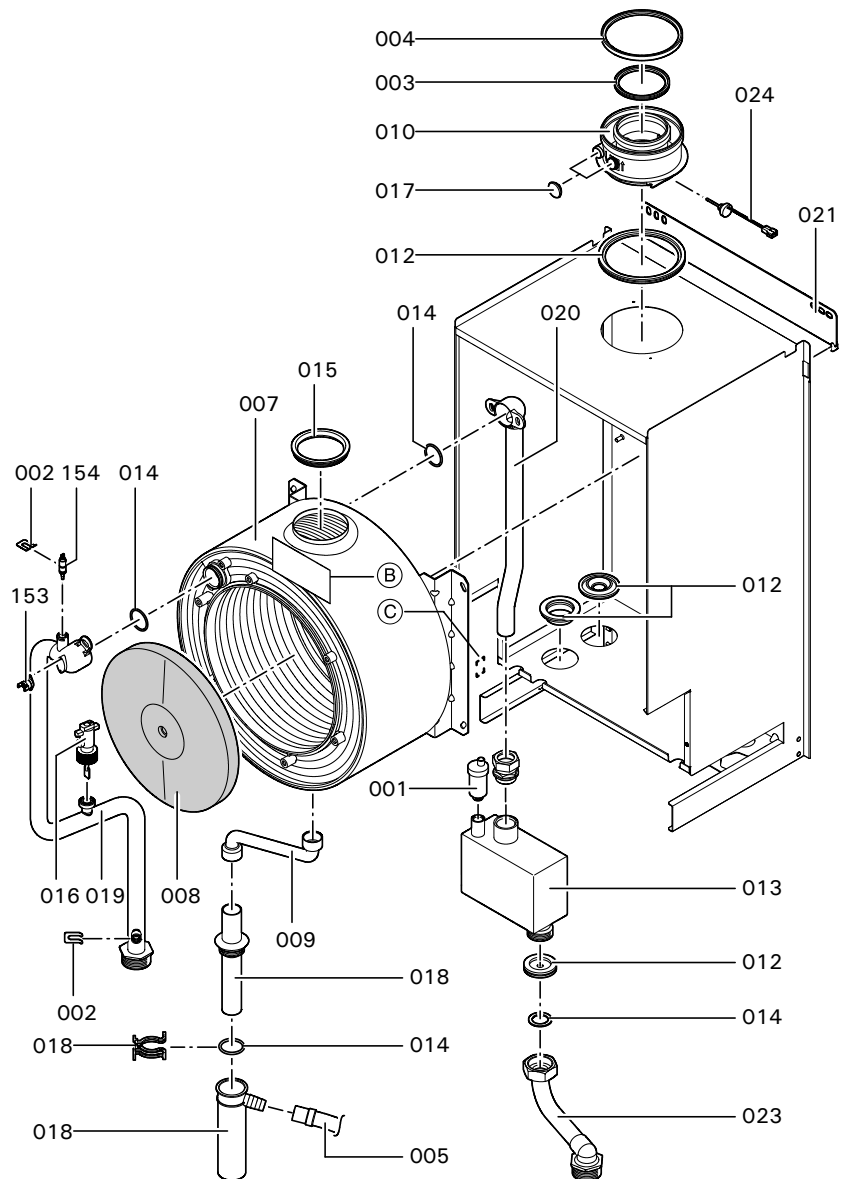
WB2B Series

Model No.	Serial No.
WB2B 45	7374866□□□□□□□□
WB2B 60	7374867□□□□□□□□

Parts

- 001 Air vent w shut-off base, 3/8"
- 002 Spring clip
(set of 5)
- 003 Gasket for flue gas, DN80
- 004 Gasket for air intake, DN125
- 005 Condensate hose
- 007 Heat exchanger assembly, ASME
- 008 Combustion chamber refractory
- 009 Condensate hose
- 010 Vent pipe adaptor, 80/125
- 012 Sealing grommet set
- 013 Air bleed header
- 014 Gasket set
- 015 Gasket for flue gas, DN80
- 016 Flow switch, VK332M
- 017 Test port cap
(set of 2)
- 018 Condensate pipe
- 019 Heating supply connection pipe
- 020 Heating return connection pipe
- 021 Wall-mount bracket
- 023 Heating return connection pipe
- 024 Flue gas temperature sensor

- Ⓑ ASME Rating Plate
- Ⓒ Boiler Serial No.



5369 303 45...60

VITODENS 200-W

Vitodens 200-W		WB2B-80 7374 868	WB2B-105 7374 869	WB2B-80 7424 193	WB2B-105 7424 194
General Info	Price List Section:	2.6			
	Parts Catalog Section:	10			
	Series Name:	WB2B			
	Applies to serial nos. beginning with:	7374868...	7374869...	7424193...	7424194...
	Accurate as of:	11/13/2012			

Parts List

Please refer to: Parts List
Pos. Description

001	Gasket (Flue Gas) D = 100mm	7818 681 ⁷	7818 681 ⁷	7818 681 ⁷	7818 681 ⁷
002	Gasket (Air Intake) D = 150	7818 559 ⁹	7818 559 ⁹	7818 559 ⁹	7818 559 ⁹
003	Vent Pipe Adaptor 110/150	7828 794 ¹⁴	7828 794 ¹⁴	7828 794 ¹⁴	7828 794 ¹⁴
004	Condensate Hose	7818 021 ⁶	7818 021 ⁶	7818 021 ⁶	7818 021 ⁶
005	Press. Gage (PSI)	7831 457 ¹¹	7831 457 ¹¹	7831 457 ¹¹	7831 457 ¹¹
006	Heat Exchanger Assly, ASME	7831 454 ⁸⁷	7831 454 ⁸⁷	7831 454 ⁸⁷	7831 454 ⁸⁷
007	Comb.Chbr.Refr.	7828 793 ¹²	7828 793 ¹²	7828 793 ¹²	7828 793 ¹²
008	Gas Distribution Pipe	7828 798 ¹⁶	7828 798 ¹⁶	7828 798 ¹⁶	7828 798 ¹⁶
009	Gas Connection Pipe	7828 928 ¹⁴	7828 928 ¹⁴	7828 928 ¹⁴	7828 928 ¹⁴
010	Sealing Grommet Set	7828 800 ⁷	7828 800 ⁷	7828 800 ⁷	7828 800 ⁷
011	Gasket Set	7828 929 ⁵	7828 929 ⁵	7828 929 ⁵	7828 929 ⁵
012	Gaskets NG/LP (Set of 4)	7831 673 ⁷	7831 673 ⁷	7831 673 ⁷	7831 673 ⁷
013	Gasket (Flue Gas) DN110	7817 688 ⁵	7817 688 ⁵	7817 688 ⁵	7817 688 ⁵
014	Flow Switch VK332M	7828 795 ¹²	7828 795 ¹²	7828 795 ¹²	7828 795 ¹²
015	Test Port Cap (Set of 2)	7822 742 ⁶	7822 742 ⁶	7822 742 ⁶	7822 742 ⁶
016	Condensate Pipe	7828 796 ⁹	7828 796 ⁹	7828 796 ⁹	7828 796 ⁹
017	Heating Supply Conn. Pipe	7828 797 ²⁴	7828 797 ²⁴	7828 797 ²⁴	7828 797 ²⁴
018	Adaptor 35 x G1 ½	7828 930 ¹¹	7828 930 ¹¹	7828 930 ¹¹	7828 930 ¹¹
019	Heating Return Conn. Pipe	7828 931 ¹⁹	7828 931 ¹⁹	7828 931 ¹⁹	7828 931 ¹⁹
020	Ball Valve w Gasket (Return Pipe)	7828 933 ¹³	7828 933 ¹³	7828 933 ¹³	7828 933 ¹³
021	Wall-Mount Bracket	7826 547 ⁷	7826 547 ⁷	7826 547 ⁷	7826 547 ⁷
022	Cover Panel	7826 548 ¹³	7826 548 ¹³	7833 473 ¹³	7833 473 ¹³
023	Sensor #15 (Flue Gas)	7822 767 ⁸	7822 767 ⁸	7822 767 ⁸	7822 767 ⁸
024	Heating Return Piping	7831 458 ²⁸	7831 458 ²⁸	7831 458 ²⁸	7831 458 ²⁸
050	Burner Gasket, 299x5.6mm	7826 520 ¹³	7826 520 ¹³	7826 520 ¹³	7826 520 ¹³
051	Comb.Ch.Dr.Refr.	7828 337 ¹¹	7828 337 ¹¹	7828 337 ¹¹	7828 337 ¹¹
052 *2	Burner Tube	Z009445 ^{Kit}	Z009446 ^{Kit}	7832 826 ⁴³	7832 826 ⁴³
053	Gasket (Burner Tube)	7826 524 ⁶	7826 524 ⁶	7826 524 ⁶	7826 524 ⁶
054 W	Ignition Electrode w Gskt	7829 798 ⁹	7829 798 ⁹	7829 798 ⁹	7829 798 ⁹
055 W	Ionization Electrode w Gsk	7834 235 ¹²	7834 235 ¹²	7834 235 ¹²	7834 235 ¹²
056	Gasket (Radial Fan)	7826 506 ⁶	7826 506 ⁶	7826 506 ⁶	7826 506 ⁶
057 W	Radial Fan RG148 w Gskts	7831 460 ³⁶	7831 460 ³⁶	7832 827 ³⁶	7832 827 ³⁶
058	Gas Valve CES w Gskts	7826 508 ²⁰	7826 508 ²⁰	7826 508 ²⁰	7826 508 ²⁰
059	Burner Mounting Flange Assly w Gskts	7826 530 ¹⁷	7826 530 ¹⁷	7826 530 ¹⁷	7826 530 ¹⁷
060 W	Ign. Transformer	7827 957 ¹¹	7827 957 ¹¹	7827 957 ¹¹	7827 957 ¹¹
061	Gasket (Ioniz. Electrode)	7827 031 ⁶	7827 031 ⁶	7827 031 ⁶	7827 031 ⁶
062	Gasket (Ignition Electrode)	7827 025 ⁶	7827 025 ⁶	7827 025 ⁶	7827 025 ⁶
063	Fixed Orifice	7827 489 ⁵	7827 489 ⁵	7827 489 ⁵	7827 489 ⁵
080	Front Panel	7826 367 ¹⁸	7826 367 ¹⁸	7826 367 ¹⁸	7826 367 ¹⁸
081	Mounting Clip (Set of 2)	7817 500 ³	7817 500 ³	7817 500 ³	7817 500 ³
100	Control Console	7834 250 ³⁹	7834 250 ³⁹	7834 250 ³⁹	7834 250 ³⁹
101	Back Cover, Control Console	7822 749 ⁷	7822 749 ⁷	7822 749 ⁷	7822 749 ⁷
102	Fastening Clip (10 Pack)	7818 063 ⁶	7818 063 ⁶	7818 063 ⁶	7818 063 ⁶
103	Ctrl Housing, Bottom	7822 750 ¹⁰	7822 750 ¹⁰	7822 750 ¹⁰	7822 750 ¹⁰
104	Cover (Flip-Down)	7822 751 ⁹	7822 751 ⁹	7822 751 ⁹	7822 751 ⁹

VITODENS 200-W

Vitodens 200-W		WB2B-80 7374 868	WB2B-105 7374 869	WB2B-80 7424 193	WB2B-105 7424 194
General Info	Price List Section:	2.6			
	Parts Catalog Section:	10			
	Series Name:	WB2B			
	Applies to serial nos. beginning with:	7374868...	7374869...	7424193...	7424194...
	Accurate as of:	11/13/2012			

Parts List

Please refer to: Parts List
Pos. Description

105	Press. Gage Insert	7822 707 ⁴	7822 707 ⁴	7822 707 ⁴	7822 707 ⁴
106	Clip (Ctrl Housing, Set of 10)	7822 708 ⁵	7822 708 ⁵	7822 708 ⁵	7822 708 ⁵
107	Hinges (Ctrl Housing, Set of 10)	7822 709 ⁷	7822 709 ⁷	7822 709 ⁷	7822 709 ⁷
109 W	Fuse, 6.3A/250V (Pkg of 10)	7404 365 ⁶	7404 365 ⁶	7404 365 ⁶	7404 365 ⁶
110	Vitotronic 100 HC1	7426 136 ²⁹	7426 136 ²⁹	7426 136 ²⁹	7426 136 ²⁹
111	Vitotronic 200 H01	7825 182 ⁴⁵	7825 182 ⁴⁵	7825 182 ⁴⁵	7825 182 ⁴⁵
112	Wiring Harness, X8/X9 with ionization cable	7828 614 ¹³	7828 614 ¹³	7828 614 ¹³	7828 614 ¹³
113	Wiring Harness, Ground	7828 615 ¹¹	7828 615 ¹¹	7828 615 ¹¹	7828 615 ¹¹
115	LON Communication Module H01	7179 113 ³³	7179 113 ³³	7179 113 ³³	7179 113 ³³
116	Circuit Board (LON Module Adaptor)	7823 033 ¹⁰	7823 033 ¹⁰	7823 033 ¹⁰	7823 033 ¹⁰
117	Fuse Holder	7823 502 ⁴	7823 502 ⁴	7823 502 ⁴	7823 502 ⁴
118	Counter Plug	7823 515 ¹⁰	7823 515 ¹⁰	7823 515 ¹⁰	7823 515 ¹⁰
119	Strain Relief (Set of 10)	7823 516 ⁶	7823 516 ⁶	7823 516 ⁶	7823 516 ⁶
120	Access Protection	7817 523 ⁵	7817 523 ⁵	7817 523 ⁵	7817 523 ⁵
121 *2	Coding Plug 0-5000ft	7833 231 ⁷	7833 233 ⁷	7833 390 ⁷	7833 391 ⁷
		for NG-only 7828934 (original) burner tube ONLY!			
122 *2	Coding Plug 5000-10000ft	7424 907 ¹¹	7424 910 ¹¹	7428 965 ¹¹	7428 966 ¹¹
		for NG-only 7828934 (original) burner tube ONLY!			
123 *2	Coding Plug 0-5000ft	7834 885 ⁷	7834 887 ⁷		
		for NG/LP 7832826 burner tube ONLY!			
124 *2	Coding Plug 5000-10000ft	7834 886 ¹¹	7834 888 ¹¹		
		for NG/LP 7832826 burner tube ONLY!			
150	Sensor #1 (Outdoor)	7820 148 ¹⁹	7820 148 ¹⁹	7820 148 ¹⁹	7820 148 ¹⁹
151	Spring Clip (Set of 5)	7827 430 ⁴	7827 430 ⁴	7827 430 ⁴	7827 430 ⁴
152	Fixed High Limit, 99°C	7825 490 ¹⁴	7825 490 ¹⁴	7825 490 ¹⁴	7825 490 ¹⁴
153	Sensor #3 (Boiler)	7819 967 ¹⁴	7819 967 ¹⁴	7819 967 ¹⁴	7819 967 ¹⁴
202	Touch-UP Spray Paint "Vitowhite"	7822 681 ⁹	7822 681 ⁹	7822 681 ⁹	7822 681 ⁹
203	Touch-UP Paint Stick "Vitowhite"	7822 682 ⁵	7822 682 ⁵	7822 682 ⁵	7822 682 ⁵

VITODENS 200-W

Vitodens 200-W		WB2B-80 7374 868	WB2B-105 7374 869	WB2B-80 7424 193	WB2B-105 7424 194
General Info	Price List Section:	2.6			
	Parts Catalog Section:	10			
	Series Name:	WB2B			
	Applies to serial nos. beginning with:	7374868...	7374869...	7424193...	7424194...
	Accurate as of:	11/13/2012			

Parts List

Please refer to: Parts List
Pos. Description

400	Installation Fittings with Vitotronic 200 non-mfld	7427 303 ⁷⁶	7427 303 ⁷⁶	7439 305 ⁷⁶	7439 305 ⁷⁶
401	Installation Fittings with Vitotronic 100 non-mfld	7428 069 ⁶⁷	7428 069 ⁶⁷	7439 307 ⁶⁷	7439 307 ⁶⁷
402	Installation Fittings with Vitotronic 200 mfld	7428 826 ⁷³	7428 826 ⁷³	7439 306 ⁷³	7439 306 ⁷³
403	Installation Fittings with Vitotronic 100 mfld	7428 829 ⁶⁶	7428 829 ⁶⁶	7439 308 ⁶⁶	7439 308 ⁶⁶
405	Vitotronic 200 HO1 (with OTS)	7193 952 ⁴⁸	7193 952 ⁴⁸	7193 952 ⁴⁸	7193 952 ⁴⁸
406	Vitotronic 100 HC1	7426 136 ²⁹	7426 136 ²⁹	7426 136 ²⁹	7426 136 ²⁹
407	Comm. Module, KMK BUS	7441 586 ²¹	7441 586 ²¹	7441 586 ²¹	7441 586 ²¹
410	Power/Pump Ctrl Module	7436 069 ⁵¹	7436 069 ⁵¹	7436 069 ⁵¹	7436 069 ⁵¹
415 ^{*1}	Pr.Rel Valve, 3/4" (FF) 30PSI	9542 940 ⁸	9542 940 ⁸	9542 940 ⁸	9542 940 ⁸
415	Pr.Rel Valve, 3/4" x 3/4" 45PSI	9549 944 ¹¹	9549 944 ¹¹	9549 944 ¹¹	9549 944 ¹¹
415	Pr.Rel Valve, 3/4" x 3/4" 60PSI	9560 183 ¹¹	9560 183 ¹¹	9560 183 ¹¹	9560 183 ¹¹
416	Nipple, 3/4" x 2" Brass	9570 696 ⁴	9570 696 ⁴	9570 696 ⁴	9570 696 ⁴
417	Sediment Faucet, 3/4" NPT	9542 942 ⁵	9542 942 ⁵	9542 942 ⁵	9542 942 ⁵
418	Tee, 3/4" Brass	9549 933 ⁷	9549 933 ⁷	9549 933 ⁷	9549 933 ⁷
419	Nipple, 3/4" x 3" Brass	9560 496 ⁵	9560 496 ⁵	9560 496 ⁵	9560 496 ⁵
420	Gas Ball Valve, 1"	7424 391 ⁷	7424 391 ⁷	7424 391 ⁷	7424 391 ⁷
421	Adaptors (NPT 2-Pack)	7192 805 ¹⁶	7192 805 ¹⁶	7192 805 ¹⁶	7192 805 ¹⁶
422	Tee, 1 1/4" x 1 1/4" x 3/4" Brass	9570 697 ¹⁰	9570 697 ¹⁰	9570 697 ¹⁰	9570 697 ¹⁰
423	Nipple, 1 1/4" NPTM x 2 1/2" Brass	9570 778 ⁷	9570 778 ⁷	9570 778 ⁷	9570 778 ⁷
424	Full Port Ball Valve, 1 1/4" FBV (T)	9544 348 ¹³	9544 348 ¹³	9544 348 ¹³	9544 348 ¹³
425	Access. Pack (Mtl.Stud Mt.Kit)	7134 206 ⁵	7134 206 ⁵	7134 206 ⁵	7134 206 ⁵
426	Access. Pack (Venting Fasteners)	7455 794 ⁸	7455 794 ⁸	7455 794 ⁸	7455 794 ⁸
427	Gasket A - 35 x 45 x 2	7814 728 ²	7814 728 ²	7814 728 ²	7814 728 ²
430	Technical Literature Set, Vitotronic 200	7428 424 ^L	7428 424 ^L	7439 314 ^L	7439 314 ^L
430	Technical Literature Set, Vitotronic 100	7428 819 ^L	7428 819 ^L	7439 315 ^L	7439 315 ^L
438	Parts List Inst. Fittings non-mfld	5369 305 ^L	5369 305 ^L	5369 305 ^L	5369 305 ^L
439	Parts List Inst. Fittings mfld	5369 306 ^L	5369 306 ^L	5369 306 ^L	5369 306 ^L
440	90° Street Elbow, 3/4"	9543 277 ^L	9543 277 ^L	9543 277 ^L	9543 277 ^L

Notes:

***1 IMPORTANT** 30 psi pressure relief valve is standard equipment shipped with boiler; 45 psi or 60 psi valve is optional equipment.

***2 IMPORTANT** 7832826 Burner Tube (Pos. 052) may be used on 7374868... and 7374869... boiler ONLY ONCE Burner Tube Set has been installed. Please see label applied on back cover of the boiler control.

"n.a." indicates not applicable.

"W" indicates wearing part (service).

"L" indicates literature (no charge).

"Kit" or "Other" indicates that this is not a Price Category item; contact Inside Sales for pricing.

Parts List

VITODENS 200-W WB2B Series

Model No.	Serial No.
WB2B 80	7374868□□□□□□□□
WB2B 105	7374869□□□□□□□□
WB2B 80	7424193□□□□□□□□
WB2B 105	7424194□□□□□□□□

Ordering Replacement Parts:

Please provide model no. from rating plate (A) and serial no. when ordering replacement parts. Order replacement components from your Viessmann distributor.

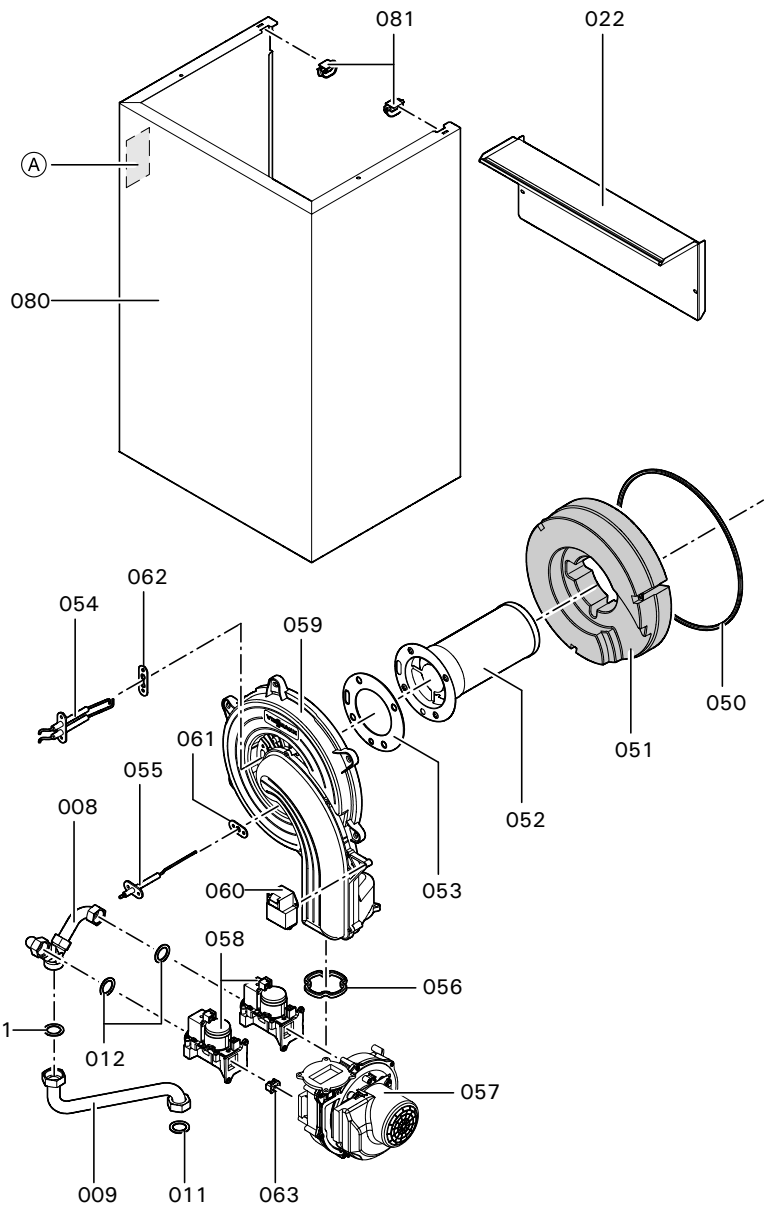
Parts

- 008 Gas distribution pipe
- 009 Gas connection pipe
- 011 Gasket set
- 012 Gaskets NG/LP
(set of 4)
- 022 Cover panel
- 050 Burner gasket, 299x5.6mm
- 051 Combustion chamber door
refractory
- 052 Burner tube
- 053 Gasket for burner tube
- 054 Ignition electrode with gasket
- 055 Ionization electrode with gasket
- 056 Gasket for radial fan
- 057 Radial fan RG148 with gaskets
- 058 Gas valve CES with gaskets
- 059 Burner mounting flange assembly
with gaskets
- 060 Ignition transformer, BW12126-00
- 061 Gasket for ionization electrode
- 062 Gasket for ignition electrode
- 063 Fixed orifice
- 080 Front panel
- 081 Mounting clip
(set of 2)

Other Parts (not illustrated)

- 202 Touch-up spray paint "Vitowhite"
- 203 Touch-up paint stick "Vitowhite"

(A) CSA Rating Plate



Please file in Service Binder

5369 303 80...105 1/2010

VITODENS 200-W

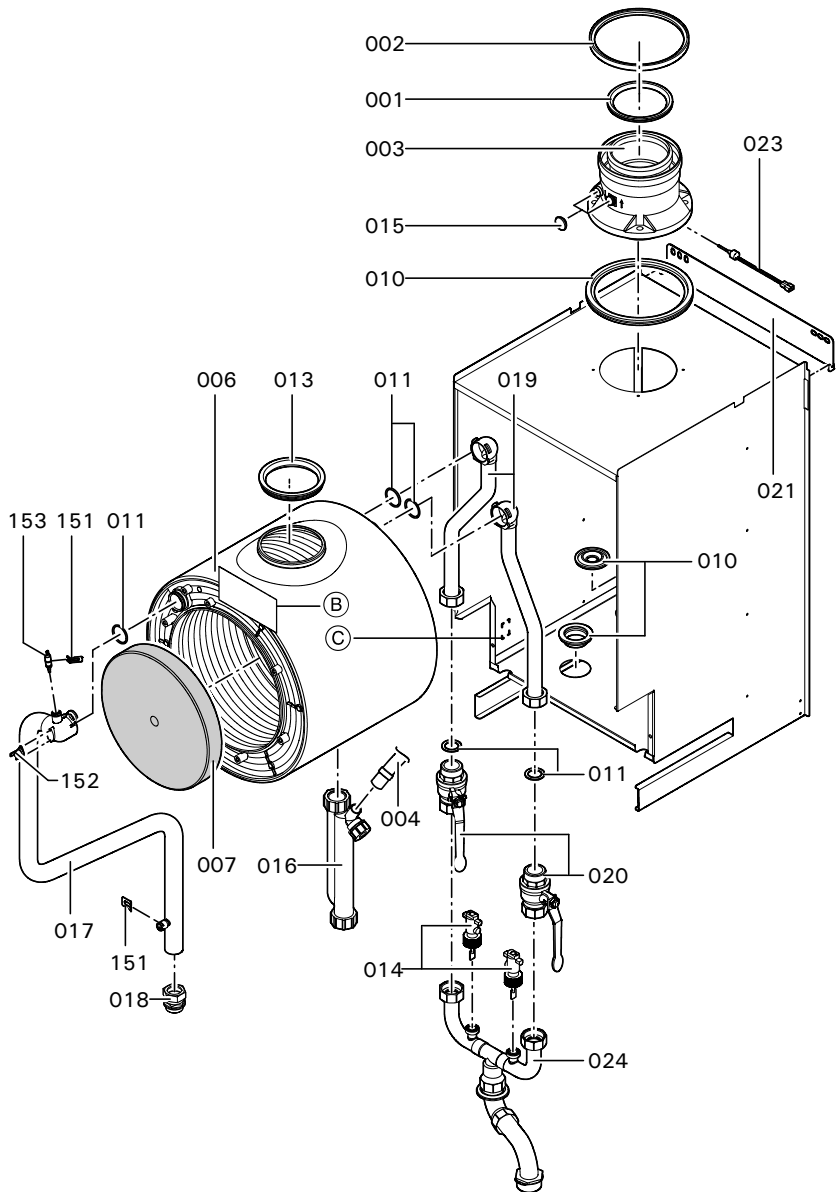
WB2B Series

Model No.	Serial No.
WB2B 80	7374868□□□□□□□□
WB2B 105	7374869□□□□□□□□
WB2B 80	7424193□□□□□□□□
WB2B 105	7424194□□□□□□□□

Parts

- 001 Gasket for flue gas, d = 110mm
- 002 Gasket for air intake, d = 150mm
- 003 Vent pipe adaptor, 110/150
- 004 Condensate hose
- 006 Heat exchanger assembly, ASME
- 007 Combustion chamber refractory
- 010 Sealing grommet set
- 011 Gasket set
- 013 Gasket for flue gas, DN110
- 014 Flow switch, VK332M
- 015 Test port cap
(set of 2)
- 016 Condensate pipe
- 017 Heating supply connection pipe
- 018 Adaptor, 35 x G1 ½
- 019 Heating return connection pipe
- 020 Ball valve with gasket
for return pipe
- 021 Wall-mount bracket
- 023 Flue gas temperature sensor
- 024 Heating return piping
- 151 Spring clip
(set of 5)
- 152 Fixed high limit, 210°F/99°C
- 153 Boiler temperature sensor

- Ⓑ ASME Rating Plate
- Ⓒ Boiler Serial No.



VITODENS 200-W WB2B Series

Model No.	Serial No.
WB2B 80	7374868□□□□□□□□
WB2B 105	7374869□□□□□□□□
WB2B 80	7424193□□□□□□□□
WB2B 105	7424194□□□□□□□□

Parts

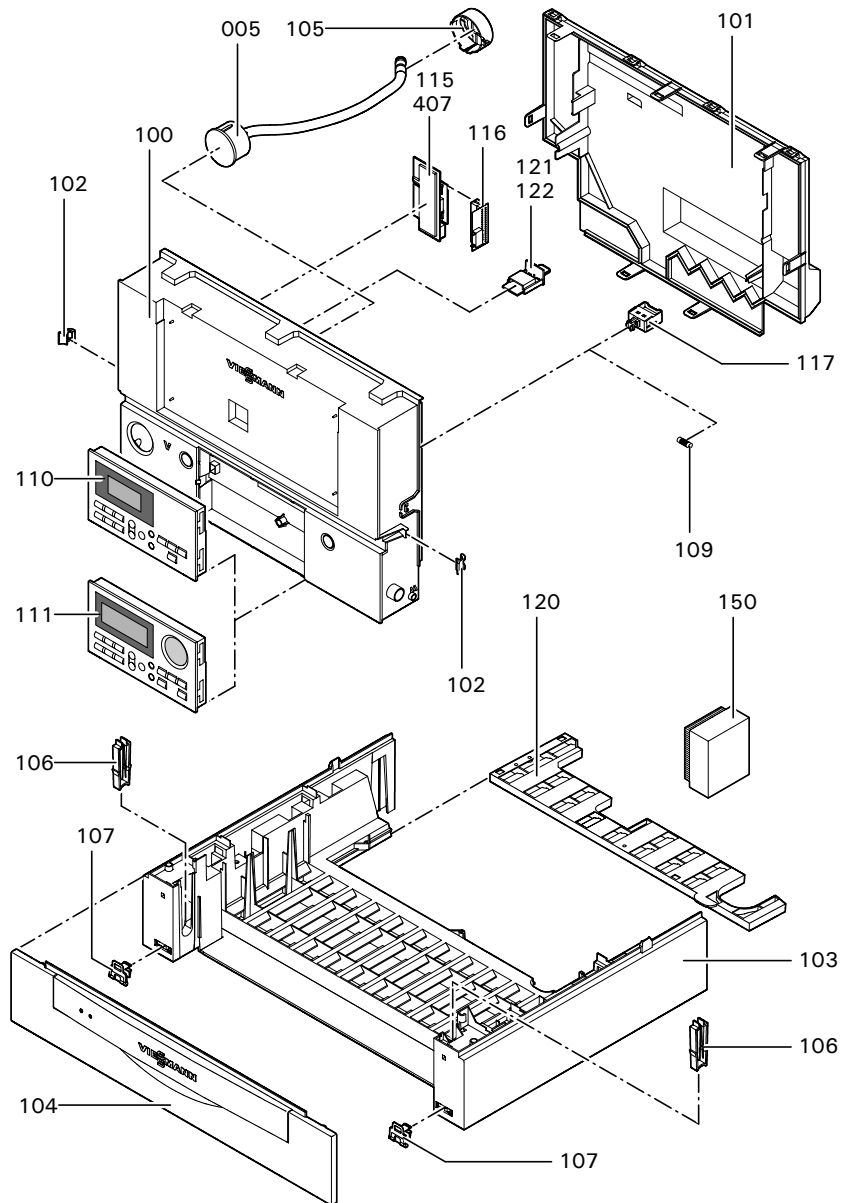
- 005 Press. gage, PSI
- 100 Control console
- 101 Back cover for control console
- 102 Fastening clip
(set of 10)
- 103 Control housing, bottom
- 104 Flip-down cover
- 105 Pressure gage insert
- 106 Clip for control housing
(set of 10)
- 107 Hinges for control housing
(set of 10)
- 109 Fuse, 6.3A/250V
(set of 10)
- 110 Vitotronic 100 HC1
- 111 Vitotronic 200 H01
- 115 LON communication module H01
with LON module adaptor
(Pos. 116)
- 116 LON module adaptor
- 117 Fuse holder
- 120 Access protection
- 121 Coding plug for 0-5000ft
- 122 Coding plug for 5000-10000ft
- 150 Outdoor temperature sensor
- 407 KMK BUS communication module

Other Parts (not illustrated)

- 400 Installation fittings *1
- 410 Power/pump control module *2
- 430 Technical Literature Set
- 432 Installation Instructions
- 433 Service Instructions
- 434 Operating Instructions
and User's Information Manual
- 436 Installation Instructions
for Venting System
- 437 Warranty Sheet
- 438 Parts List, Installation Fittings

*1 See separate Parts List
for installation fittings.

*2 See separate Parts List
for power/pump control module.



Parts List



Installation Fittings,

7427 301 with Vitotronic 200

(not for use with low-loss distribution manifold)

Please file in Service Binder

VITODENS 200-W WB2B Series

Model No.	Boiler Serial No.
WB2B 19	7374863□□□□□□□□
WB2B 26	7374864□□□□□□□□
WB2B 35	7374865□□□□□□□□

Ordering Replacement Parts:

Please provide model no. from rating plate and serial no. when ordering replacement parts. Order replacement components from your Viessmann distributor.

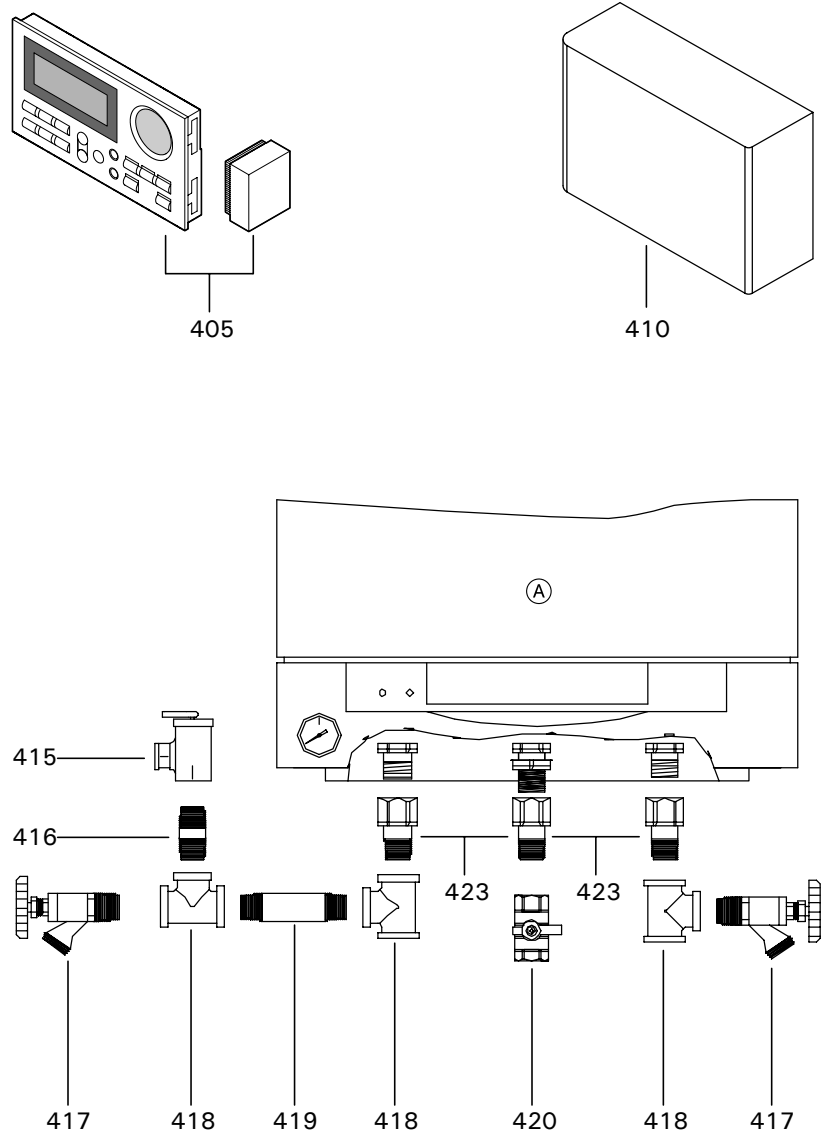
Parts

- 405 Vitotronic 200 HO1 with outside temperature sensor
- 410 Power/Pump Control Module
- 415 Pressure relief valve
- 416 Nipple, 3/4" x 2"
- 417 Sediment faucet
- 418 Tee, 3/4"
- 419 Nipple, 3/4" x 4 1/2"
- 420 Gas ball valve, 3/4"
- 423 Extension, 3/4" x 2 1/4"

Other Parts (not illustrated)

- 425 Accessory pack (metal stud mount kit)
- 426 Accessory pack (coaxial venting fasteners)
- 430 Technical Literature Set
- 431 LPG conversion labels
- 432 Installation Instructions
- 433 Service Instructions
- 434 Operating Instructions and User's Information Manual
- 436 Installation Instructions for Venting System
- 437 Warranty Sheet
- 438 Parts List, Installation Fittings for non-manifold installations only

Ⓐ Vitodens boiler see separate Parts List



Parts List



Installation Fittings,

7427 302, 7427 303, 7439 305 with Vitotronic 200

7428 068, 7428 069, 7439 307 with Vitotronic 100

(not for use with low-loss distribution manifold)

VITODENS 200-W WB2B Series

Model No.	Boiler Serial No.
WB2B 45*1	7374866□□□□□□□□
WB2B 60*1	7374867□□□□□□□□
WB2B 80	7374868□□□□□□□□
WB2B 105	7374869□□□□□□□□
WB2B 80*1	7424193□□□□□□□□
WB2B 105*1	7424194□□□□□□□□

Ordering Replacement Parts:

Please provide model no. from rating plate and serial no. when ordering replacement parts. Order replacement components from your Viessmann distributor.

Parts

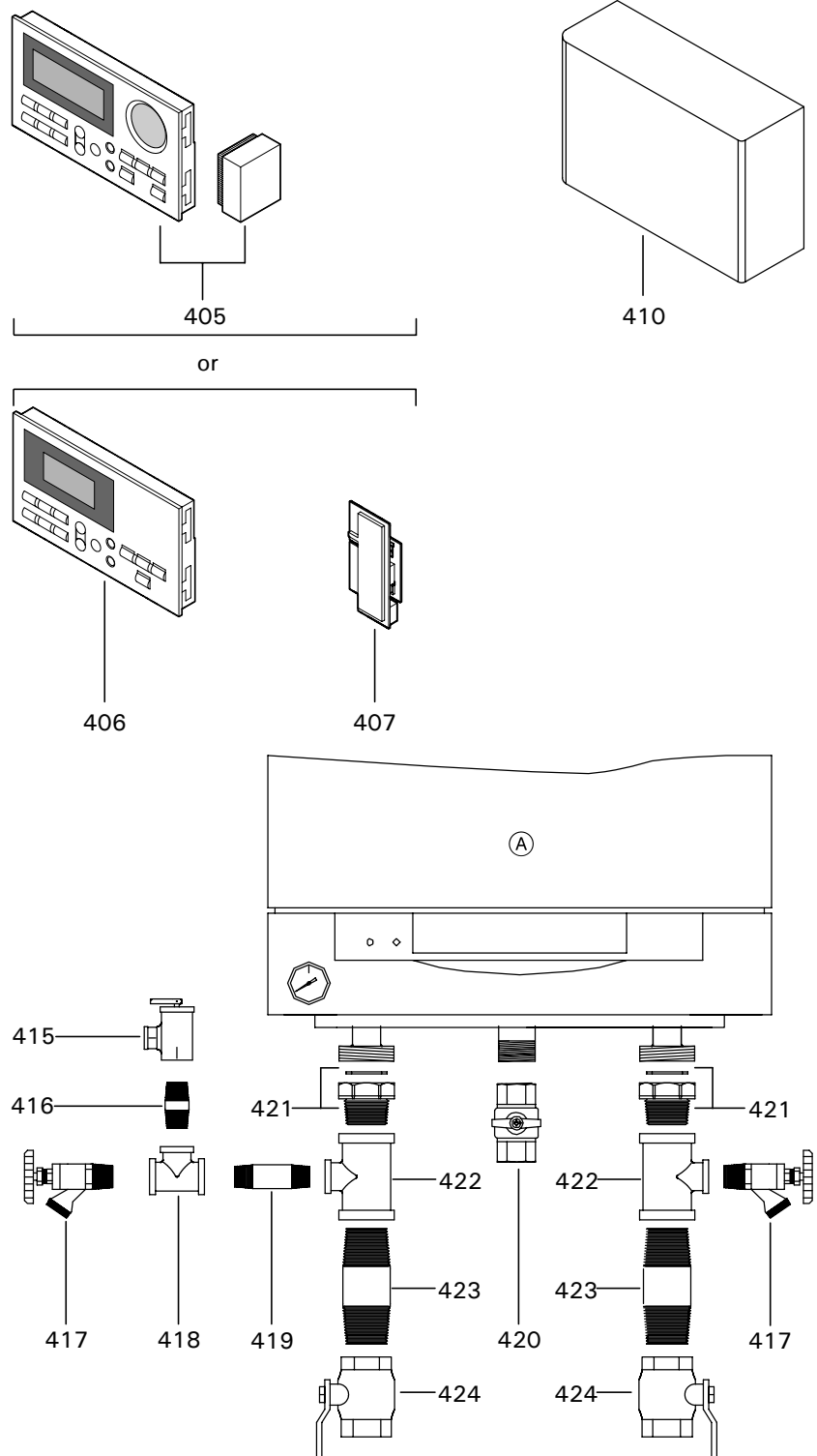
- 405 Vitotronic 200 HO1
with outside temperature sensor
- 406 Vitotronic 100 HC1
- 407 Communication module, KMK BUS
- 410 Power/pump control module
- 415 Pressure relief valve
- 416 Nipple, 3/4" x 2"
- 417 Sediment faucet, 3/4"
- 418 Tee, 3/4"
- 419 Nipple, 3/4" x 3"
- 420 Gas ball valve, 1"
- 421 NPT Adaptors with gaskets
(set of 2)
- 422 Tee, 1 1/4" x 1 1/4" x 3/4"
- 423 Nipple, 1 1/4" x 2 1/2"
- 424 Full port ball valve, 1 1/4"

Other Parts (not illustrated)

- 425 Accessory pack
(metal stud mount kit)
- 426 Accessory pack
(coaxial venting fasteners)
- 430 Technical Literature Set
- 431 LPG conversion labels *1
- 438 Parts List, Installation Fittings
for non-manifold installations only

Ⓐ Vitodens boiler
see separate Parts List

*1 Applies only to
certain serial nos (see above).



Please file in Service Binder

Parts List



Installation Fittings,

7428 825, 7428 826, 7439 306 with Vitotronic 200

7428 828, 7428 829, 7439 308 with Vitotronic 100

for multiple-boiler installations only
with low-loss distribution manifold only

VITODENS 200-W WB2B Series

Model No.	Boiler Serial No.
WB2B 45* ¹	7374866□□□□□□□□
WB2B 60* ¹	7374867□□□□□□□□
WB2B 80	7374868□□□□□□□□
WB2B 105	7374869□□□□□□□□
WB2B 80* ¹	7424193□□□□□□□□
WB2B 105* ¹	7424194□□□□□□□□

Ordering Replacement Parts:

Please provide model no. from rating plate and serial no. when ordering replacement parts. Order replacement components from your Viessmann distributor.

Parts

- 405 Vitotronic 200 HO1
with outside temperature sensor
- 406 Vitotronic 100 HC1
- 407 Communication module, KMK BUS
- 410 Power/pump control module
- 415 Pressure relief valve
- 420 Gas ball valve, 1"

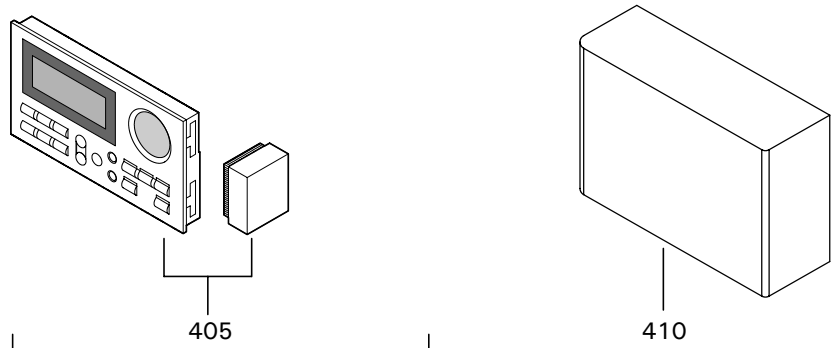
Other Parts (not illustrated)

- 426 Accessory pack
(coaxial venting fasteners)
- 430 Technical Literature Set
- 431 LPG conversion labels *¹
- 439 Parts List, Installation Fittings
for manifold installations only
- 440 Street elbow 3/4", 90°
(for pressure relief valve)

(A) Vitodens boiler
see separate Parts List

Multiple Boiler Low-Loss
Distribution Manifold
see separate Parts List

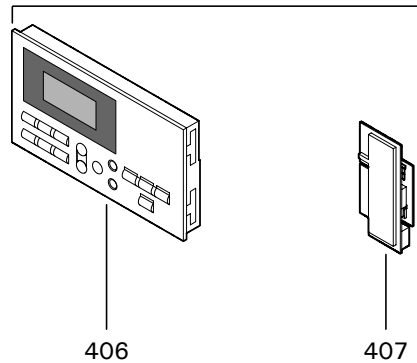
*¹ Applies only to
certain serial nos (see above).



405

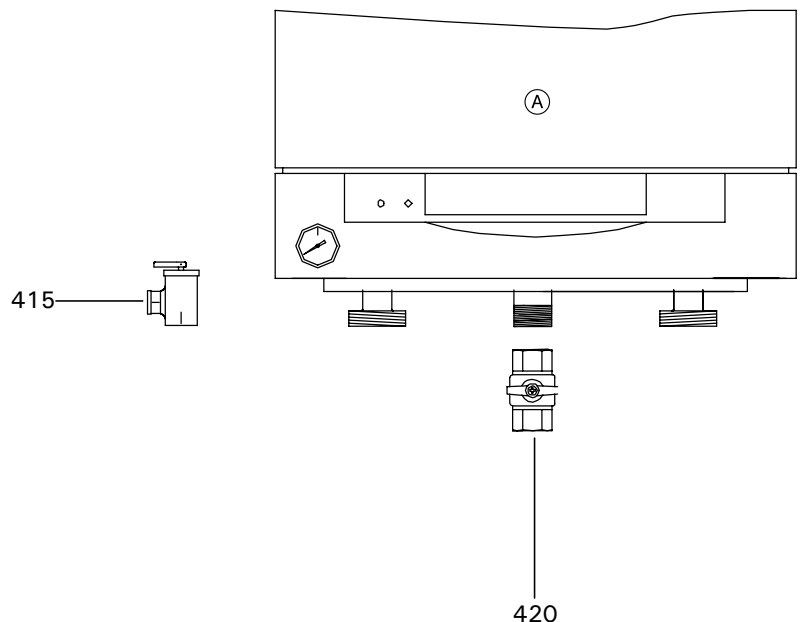
410

or



406

407



415

420

Please file in Service Binder

VITODENS 200-W

Vitodens 200-W		PPCM 7424 122		PPCM 7436 069	
General Info	Price List Section:	2.6			
	Parts Catalog Section:	10			
	Series Name:	WB2B			
	Applies to boiler serial nos. beginning with:	7374863...		7424193...	
	Applies to boiler serial nos. ending with:	7374869...		7424194...	
	Accurate as of:	01/03/2013			

Parts List

Please refer to: Parts List
Pos. Description

410	Power/Pump Ctrl Module	5443 429 ^L		7436 069 ⁵¹	
411	Transformer	7424 123 ³³		7439 428 ²⁹	
412	Circuit Board, PumpCtrlMod	7424 124 ³⁷		7439 429 ³⁷	
413 W	Fuse, T2A (Pkg of 5)	7424 125 ⁷			
	Fuse, T3½A (Pkg of 5)			7439 430 ⁷	
414 W	Fuse, T12A (Pkg of 5)	7424 126 ⁷		7424 126 ⁷	
415	Relay 24VDC SPDT	7424 127 ⁷		7424 127 ⁷	
416	Relay 240VAC SPDT	7424 128 ⁷		7424 128 ⁷	
417	Harness, Power 230V	7496 908 ¹⁵		7496 908 ¹⁵	
418	Harness, KM-BUS	7496 909 ²⁰		7496 909 ²⁰	
450	Install/Service Instr. PPCM	5414 109 ^L		5443 429 ^L	
451	Parts List WB2B PPCM	5441 023 ^L		5441 023 ^L	
500	3-Pole RAST-5 Plug, #20 WHT	9639 233 ⁵		9639 233 ⁵	
501	3-Pole RAST-5 Plug, #21 WHT wo latch	9639 234 ⁵		9639 234 ⁵	
502	3-Pole RAST-5 Plug, #40 GRN	9548 844 ⁵		9548 844 ⁵	
503	3-Pole RAST-5 Plug, #50 RED	5216 693 ⁵		5216 693 ⁵	
504	3-Pole RAST-5 Plug, #143 GRY	5216 707 ⁵		5216 707 ⁵	
505	3-Pole RAST-5 Plug, #144	5295 255 ⁵		5295 255 ⁵	
506	Connecting Cable #145, KM-BUS u	7271 898 ⁷		7271 898 ⁷	

Notes:

"n.a." indicates not applicable.

"W" indicates wearing part (service).

"L" indicates literature (no charge).

"Kit" or "Other" indicates that this is not a Price Category item; contact Inside Sales for pricing.

Parts List



Power/Pump Control Module, 7424 122

VITODENS 200 WB2B Series

Model No.	Boiler Serial No.
WB2B-19	7374863□□□□□□□□
WB2B-26	7374864□□□□□□□□
WB2B-35	7374865□□□□□□□□
WB2B-45	7374866□□□□□□□□
WB2B-60	7374867□□□□□□□□
WB2B-80	7374868□□□□□□□□
WB2B-105	7374869□□□□□□□□

Ordering Replacement Parts:
Please provide model no. from rating plate and serial no. when ordering replacement parts. Order replacement components from your Viessmann distributor.

Parts

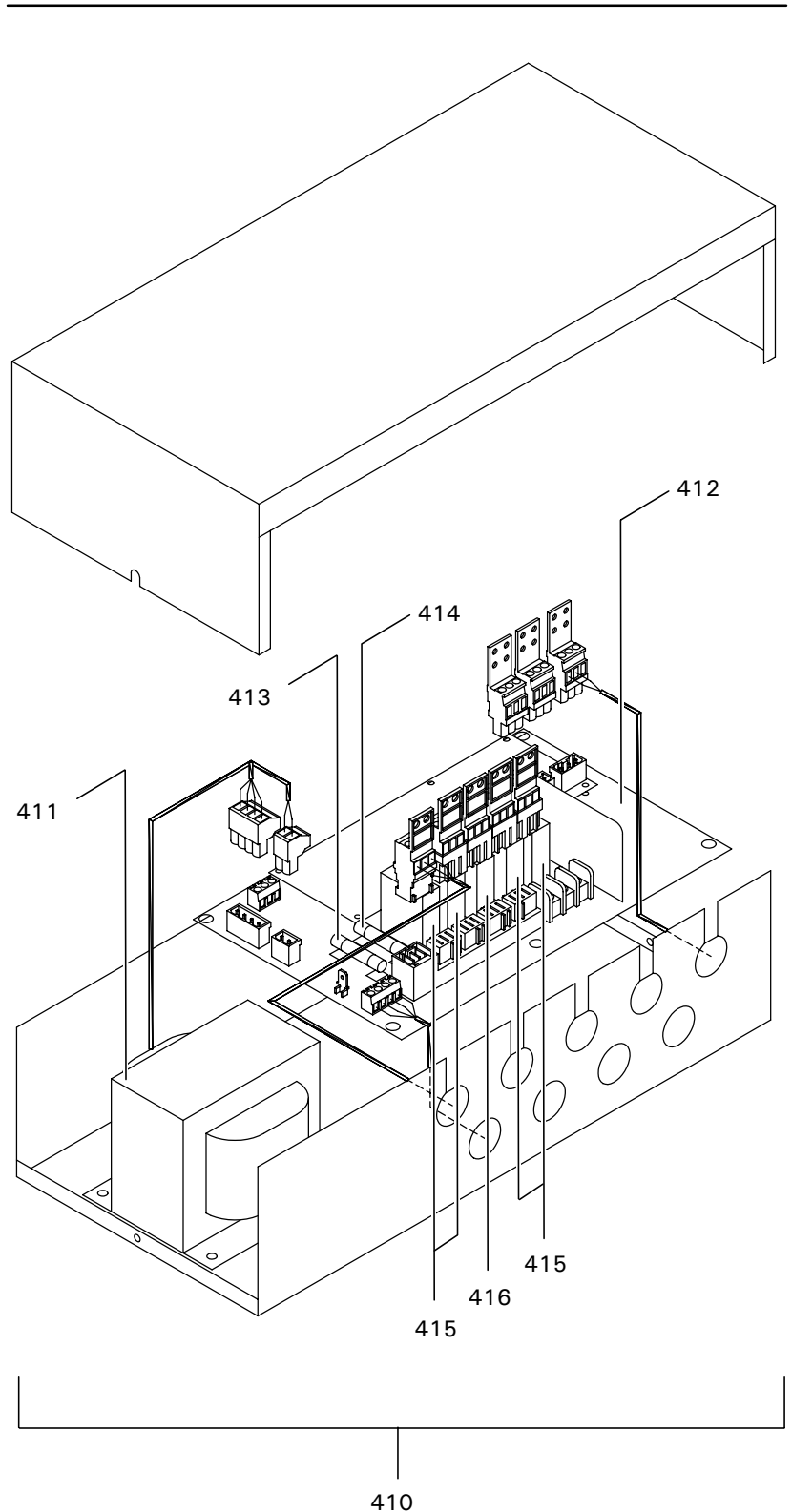
- 410 Power/pump control module including cover
- 411 Transformer 120/240V-210VA
- 412 Circuit board
- 413 Fuse, T2A (set of 5)
- 414 Fuse, T12A (set of 5)
- 415 Relay 24VDC SPDT
- 416 Relay 240VAC SPDT

Other Parts (not illustrated)

- 417 Harness, Power 230V
- 418 Harness, KM-BUS
- 450 Installation/Service Instructions
- 451 Parts List

Vitodens boiler
see separate Parts List

Installation fittings
see separate Parts List



Please file in Service Binder

Power/Pump Control Module, 7436 069

VITODENS 200 WB2B Series

Model No.	Boiler Serial No.
WB2B-80	7424193□□□□□□□□
WB2B-105	7424194□□□□□□□□

Ordering Replacement Parts:

Please provide model no. from rating plate and serial no. when ordering replacement parts. Order replacement components from your Viessmann distributor.

Parts

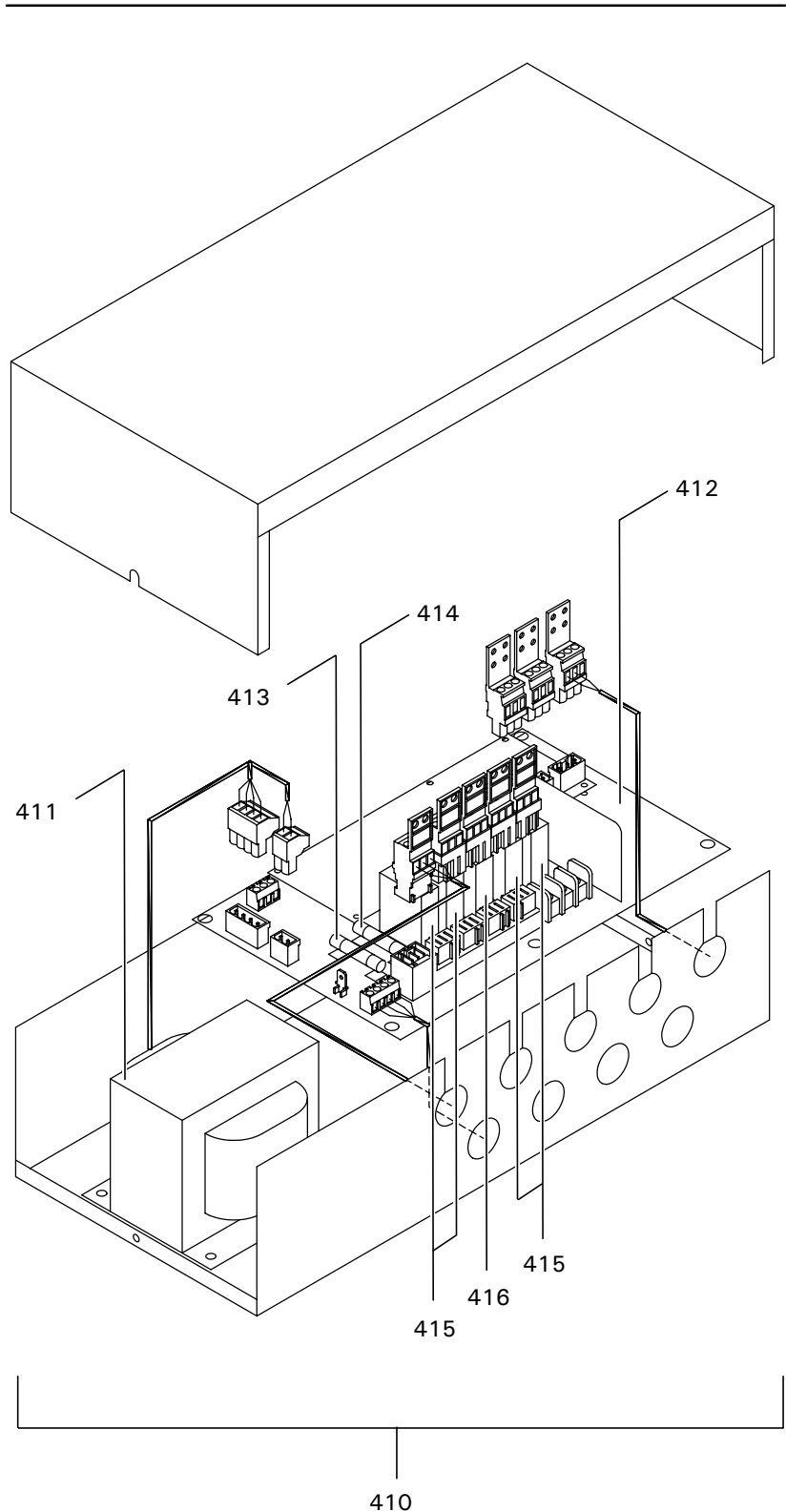
- 410 Power/pump control module including cover
- 411 Transformer 120/240V-300VA
- 412 Circuit board
- 413 Fuse, T3½ A (set of 5)
- 414 Fuse, T12A (set of 5)
- 415 Relay 24VDC SPDT
- 416 Relay 240VAC SPDT

Other Parts (not illustrated)

- 417 Harness, Power 230V
- 418 Harness, KM-BUS
- 450 Installation/Service Instructions
- 451 Parts List

Vitodens boiler
see separate Parts List

Installation fittings
see separate Parts List



Multiple Boiler Low-Loss Distribution Manifold

Vitodens 200, WB2B Series

Multiple Boiler Low-Loss Distribution Manifold	2-Boilers	3-Boilers	4-Boilers	
General Info	Price List Section:	2.5		
	Parts Catalog Section:	10		
	Series Name:	for use with Vitodens 200 WB2B Series only		
	Applies to serials nos. beginning with:			
	Accurate as of:	07/01/2012		

Parts List

Please refer to: Parts List

Pos. Description

Part Numbers / Price Categories

100	Boiler Manifold, ANSI	2 x WB2B	7424 325 ⁶⁹ x 1		7424 325 ⁶⁹ x 2	
	Boiler Manifold, ANSI	3 x WB2B		7424 326 ⁶⁰ x 1		
101	Gasket, 3" ANSI		7439 028 ⁸	7439 028 ⁸	7439 028 ⁸	
102	Ball Valve, 1 1/4"		7439 030 ¹⁷	7439 030 ¹⁷	7439 030 ¹⁷	
200	Low-Loss Header		7424 328 ⁶³	7424 329 ⁶⁹	7424 330 ⁷⁴	
201	Air Bleed Cap, 1/2"		7815 662 ⁴	7815 662 ⁴	7815 662 ⁴	
202	Install. Instr. Distrib. Manifold		5414 492 ^L	5414 492 ^L	5414 492 ^L	
203	Parts List		5441 090 ^L	5441 090 ^L	5441 090 ^L	
300	Installation Fittings 1 (boiler fittings)		7424 331 ⁴⁶ x 2	7424 331 ⁴⁶ x 3	7424 331 ⁴⁶ x 4	
301	Access. Pack (Boiler Connection Fittings)		7439 031 ²⁰	7439 031 ²⁰	7439 031 ²⁰	
302	Trans. Conn. (return, FCV) 1 1/4"		7439 032 ³⁰	7439 032 ³⁰	7439 032 ³⁰	
303	Trans. Conn. (supply) 1 1/4"		7439 033 ²⁸	7439 033 ²⁸	7439 033 ²⁸	
304	Connection Nipple, 1 1/4"		7439 034 ¹⁸	7439 034 ¹⁸	7439 034 ¹⁸	
305	Gasket, 32x44x2mm		9589 075 ¹	9589 075 ¹	9589 075 ¹	
306	Gasket, 42x56x2mm		7815 337 ²	7815 337 ²	7815 337 ²	
400	Installation Fittings 2 (rack fittings)		7438 492 ³¹	7438 492 ³¹	7438 492 ³¹ x 2	
401	Access. Pack (Anchors)		7439 036 ¹⁸	7439 036 ¹⁸	7439 036 ¹⁸	
402	Access. Pack (Fasteners)		7439 037 ¹⁹	7439 037 ¹⁹	7439 037 ¹⁹	
500	Installation Fittings 3 (adjustable legs)		7438 494 ²⁹	7438 494 ²⁹	7438 494 ²⁹ x 2	
600	Installation Fittings 4 (low-loss header fittings)		7438 495 ¹⁵	7438 495 ¹⁵	7438 495 ¹⁵	
601	Access. Pack (LLH Connections)		7439 035 ¹⁸	7439 035 ¹⁸	7439 035 ¹⁸	
700	Y-Piece 3" / 6", ANSI (pair)					
800	Insulation (Manifold) 2 Htg Circuits		7424 333 ⁵⁵		7424 333 ⁵⁵ x 2	
	Insulation (Manifold) 3 Htg Circuits			7424 334 ⁶⁷		
801	Insulation (LLH)		7424 336 ⁴⁸	7424 337 ⁵⁰	7424 338 ⁵³	
900	Flange Connection Set (Set of 4) ANSI		7424 332 ⁴⁹	7424 332 ⁴⁹	7424 332 ⁴⁹	

Notes:

"n.a." indicates not applicable.

"W" indicates wearing part (service).

"L" indicates literature (no charge).

"Kit" or "Other" indicates that this is not a Price Category item; contact Inside Sales for pricing.

Multiple Boiler Low-Loss Distribution Manifold

Vitodens 200, WB2B Series

Multiple Boiler Low-Loss Distribution Manifold	5-Boilers	6-Boilers	7-Boilers	8-Boilers
General Info Price List Section:	2.6			
Parts Catalog Section:	10			
Series Name:	for use with Vitodens 200 WB2B Series only			
Applies to serials nos. beginning with:				
Accurate as of:	07/01/2012			

Parts List

Please refer to: Parts List

Pos. Description

Part Numbers / Price Categories

Pos.	Description				
100	Boiler Manifold, ANSI 2 x WB2B	7424 325 ⁶⁹ x 1		7424 325 ⁶⁹ x 4	7424 325 ⁶⁹ x 4
	Boiler Manifold, ANSI 3 x WB2B	7424 326 ⁸⁰ x 1	7424 326 ⁸⁰ x 2		
101	Gasket, 3" ANSI	7439 028 ⁸	7439 028 ⁸	7439 028 ⁸	7439 028 ⁸
102	Ball Valve, 1 1/4"	7439 030 ¹⁷	7439 030 ¹⁷	7439 030 ¹⁷	7439 030 ¹⁷
200	Low-Loss Header	7455 784 ⁶³	7455 784 ⁸⁴	7455 784 ⁸⁴	7455 784 ⁸⁴
201	Air Bleed Cap, 1/2"	7815 662 ⁴	7815 662 ⁴	7815 662 ⁴	7815 662 ⁴
202	Install. Instr. Distrib. Manifold	5604 614 ^L	5604 614 ^L	5604 614 ^L	5604 614 ^L
203	Parts List	5441 090 ^L	5441 090 ^L	5441 090 ^L	5441 090 ^L
300	Installation Fittings 1 (boiler fittings)	7424 331 ⁴⁶ x 5	7424 331 ⁴⁶ x 6	7424 331 ⁴⁶ x 7	7424 331 ⁴⁶ x 8
301	Access. Pack (Boiler Connection Fittings)	7439 031 ²⁰	7439 031 ²⁰	7439 031 ²⁰	7439 031 ²⁰
302	Trans. Conn. (return, FCV) 1 1/4"	7439 032 ³⁰	7439 032 ³⁰	7439 032 ³⁰	7439 032 ³⁰
303	Trans. Conn. (supply) 1 1/4"	7439 033 ²⁸	7439 033 ²⁸	7439 033 ²⁸	7439 033 ²⁸
304	Connection Nipple, 1 1/4"	7439 034 ¹⁸	7439 034 ¹⁸	7439 034 ¹⁸	7439 034 ¹⁸
305	Gasket, 32x44x2mm	9589 075 ¹	9589 075 ¹	9589 075 ¹	9589 075 ¹
306	Gasket, 42x56x2mm	7815 337 ²	7815 337 ²	7815 337 ²	7815 337 ²
400	Installation Fittings 2 (rack fittings)	7438 492 ³¹ x 2	7438 492 ³¹ x 2	7438 492 ³¹ x 4	7438 492 ³¹ x 4
401	Access. Pack (Anchors)	7439 036 ¹⁸	7439 036 ¹⁸	7439 036 ¹⁸	7439 036 ¹⁸
402	Access. Pack (Fasteners)	7439 037 ¹⁹	7439 037 ¹⁹	7439 037 ¹⁹	7439 037 ¹⁹
500	Installation Fittings 3 (adjustable legs)	7438 494 ²⁹ x 2	7438 494 ²⁹ x 2	7438 494 ²⁹ x 4	7438 494 ²⁹ x 4
600	Installation Fittings 4 (low-loss header fittings)	7498 684 ²²	7498 684 ²²	7498 684 ²²	7498 684 ²²
601	Access. Pack (LLH Connections)	7439 035 ¹⁸	7439 035 ¹⁸	7439 035 ¹⁸	7439 035 ¹⁸
700	Y-Piece 3" / 6", ANSI (pair)	7439 029 ⁷³	7439 029 ⁷³	7439 029 ⁷³	7439 029 ⁷³
800	Insulation (Manifold) 2 Htg Circuits	7424 333 ⁵⁵ x 1		7424 333 ⁵⁵ x 4	7424 333 ⁵⁵ x 4
	Insulation (Manifold) 3 Htg Circuits	7424 334 ⁶⁷ x 1	7424 334 ⁶⁷ x 2		
801	Insulation (LLH)	7455 785 ⁵⁶	7455 785 ⁵⁶	7455 785 ⁵⁶	7455 785 ⁵⁶
900	Flange Connection Set (Set of 4) ANSI	7424 332 ⁴⁹	7424 332 ⁴⁹	7424 332 ⁴⁹	7424 332 ⁴⁹

Notes:

"n.a." indicates not applicable.

"W" indicates wearing part (service).

"L" indicates literature (no charge).

"Kit" or "Other" indicates that this is not a Price Category item;

Multiple Boiler Low-Loss Distribution Manifold

for **VITODENS 200-W** WB2B Series

Ordering Replacement Parts:
Please provide Serial Number when ordering replacement parts. Order replacement components from your Viessmann distributor.

Shipping Overview

2-Boiler Low-Loss Distribution Manifold consisting of:

- 100 2-Boiler Manifold
- 200 200/120 Low-Loss Header
- 300 Fittings 1 (boiler fittings)
- 400 Fittings 2 (rack fittings)
- 500 Fittings 3 (adjustable legs)
- 600 Fittings 4 (low-loss header hardware)

- 100 2-Boiler Manifold
- 200 400/200 Low-Loss Header
- 300 Fittings 1 (boiler fittings)
- 400 Fittings 2 (rack fittings)
- 500 Fittings 3 (adjustable legs)
- 600 Fittings 4 (low-loss header hardware)
- 700 Y-Piece 3" / 6", ANSI (pair)

5-Boiler Low-Loss Distribution Manifold consisting of:

- 100 2-Boiler Manifold
- 200 400/200 Low-Loss Header
- 300 Fittings 1 (boiler fittings)
- 400 Fittings 2 (rack fittings)
- 500 Fittings 3 (adjustable legs)
- 600 Fittings 4 (low-loss header hardware)
- 700 Y-Piece 3" / 6", ANSI (pair)

3-Boiler Low-Loss Distribution Manifold consisting of:

- 100 3-Boiler Manifold
- 200 250/150 Low-Loss Header
- 300 Fittings 1 (boiler fittings)
- 400 Fittings 2 (rack fittings)
- 500 Fittings 3 (adjustable legs)
- 600 Fittings 4 (low-loss header hardware)

For 2-, 3- and 4-boiler systems, do not install boiler manifold free-standing; manifold shall be affixed to a wall capable of handling the weight of the boilers.

3-Boiler Low-Loss Distribution Manifold consisting of:

- 100 3-Boiler Manifold
- 200 250/150 Low-Loss Header
- 300 Fittings 1 (boiler fittings)
- 400 Fittings 2 (rack fittings)
- 500 Fittings 3 (adjustable legs)
- 600 Fittings 4 (low-loss header hardware)

- 100 3-Boiler Manifold
- 200 400/200 Low-Loss Header
- 300 Fittings 1 (boiler fittings)
- 400 Fittings 2 (rack fittings)
- 500 Fittings 3 (adjustable legs)
- 600 Fittings 4 (low-loss header hardware)
- 700 Y-Piece 3" / 6", ANSI (pair)

4-Boiler Low-Loss Distribution Manifold consisting of:

- 100 2-Boiler Manifold
- 200 300/200 Low-Loss Header
- 300 Fittings 1 (boiler fittings)
- 400 Fittings 2 (rack fittings)
- 500 Fittings 3 (adjustable legs)
- 600 Fittings 4 (low-loss header hardware)

- 100 2-Boiler Manifold
- 200 400/200 Low-Loss Header
- 300 Fittings 1 (boiler fittings)
- 400 Fittings 2 (rack fittings)
- 500 Fittings 3 (adjustable legs)
- 600 Fittings 4 (low-loss header hardware)
- 700 Y-Piece 3" / 6", ANSI (pair)

8-Boiler Low-Loss Distribution Manifold consisting of:

- 100 2-Boiler Manifold
- 200 400/200 Low-Loss Header
- 300 Fittings 1 (boiler fittings)
- 400 Fittings 2 (rack fittings)
- 500 Fittings 3 (adjustable legs)
- 600 Fittings 4 (low-loss header hardware)
- 700 Y-Piece 3" / 6", ANSI (pair)

Parts
see next page

(A) Serial No. Location

*1 Blind flanges with gaskets shipped mounted to boiler manifold.

IMPORTANT

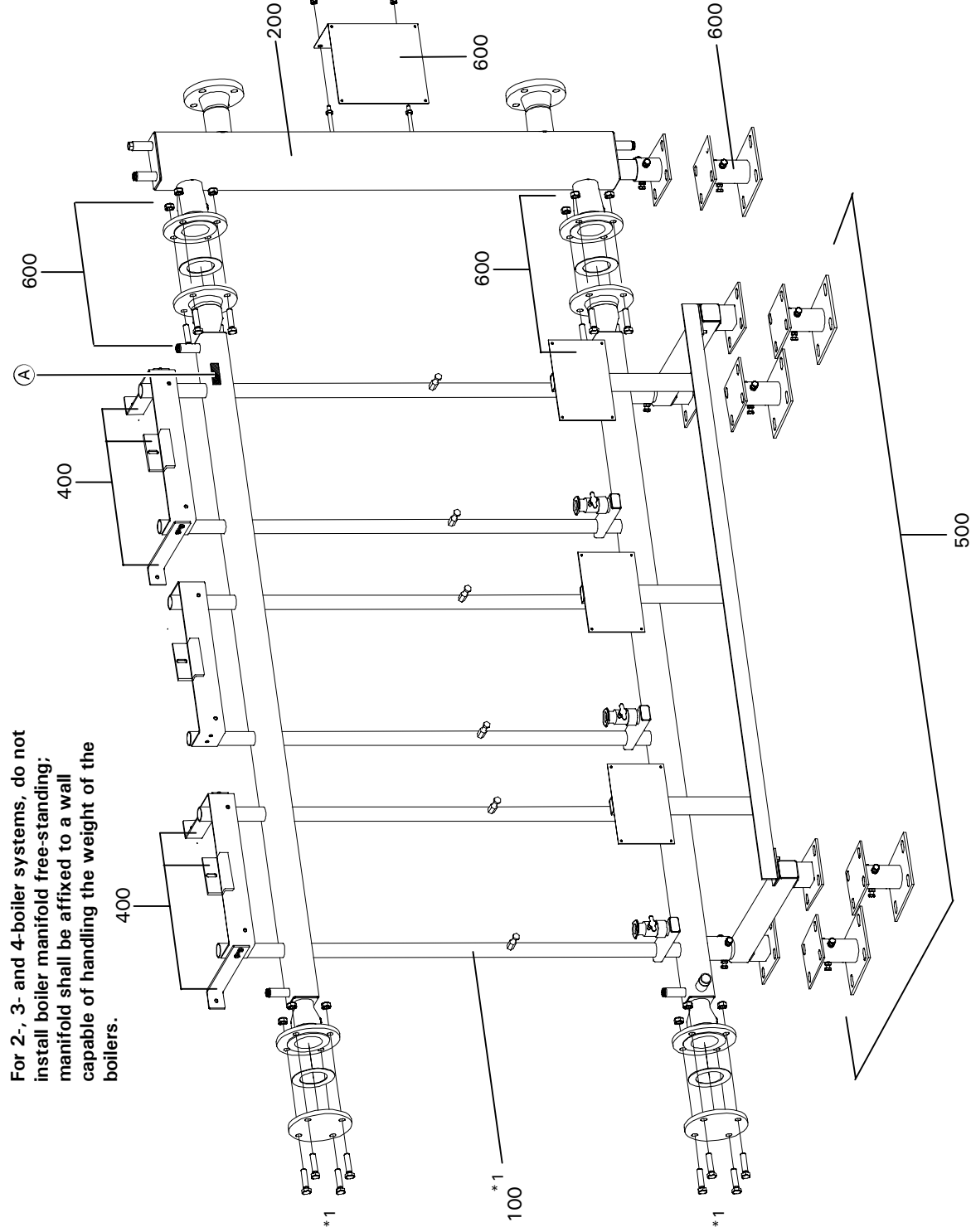
Do not drop boiler manifold or low-loss header. Boiler and system connections will be completely out-of-alignment when a unit has been dropped during shipping or installation. Welding repairs render warranty null and void.

IMPORTANT

Manifold insulation (optional) must be installed prior to mounting boilers.

IMPORTANT

For 2-, 3- and 4-boiler systems, do not install boiler manifold free-standing; manifold shall be affixed to a wall capable of handling the weight of the boilers.



Shown: 3-Boiler LLH Distribution Manifold (may not be exactly as illustrated)

Parts List

Multiple Boiler Low-Loss Distribution Manifold

for **VITODENS 200-W** WB2B Series

Parts

- 101 Gasket, 3" ANSI
- 102 Ball valve, 1 1/4" Ø *2
- 201 Air Bleed Cap, 1/2"
- 301 Accessory pack, boiler connection fittings (for one boiler only) including fasteners for boiler (not illustrated)
- 302 Transition connector, 1 1/4" Ø for return with integrated flow check valve
- 303 Transition connector, 1 1/4" Ø for supply
- 304 Connection Nipple, 1 1/4" Ø
- 601 Accessory pack gaskets and fasteners for LLH connection

Not Illustrated:

- 202 Installation Instructions
- 203 Parts List
- 401 Accessory pack anchors for adjustable legs (set of 24)
- 402 Accessory pack M8 fasteners for wall brackets M12 fasteners for adjustable legs
- 700 Insulation for boiler manifold (optional)
- 701 Insulation for low-loss header (optional)
- 800 Flange set (optional) to install 90° elbow set (elbow set field supplied)

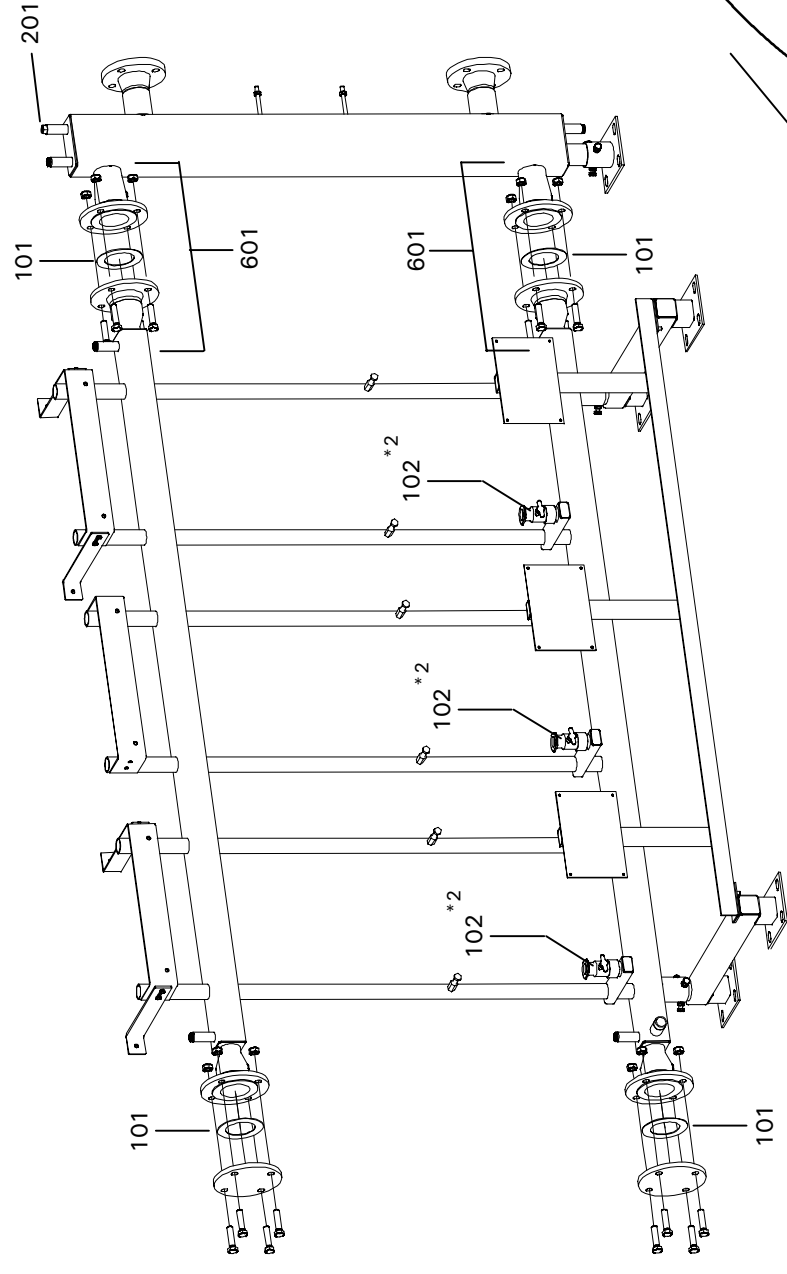
Ⓔ See separate Parts List for Vitodens boiler.

Ⓒ See separate Parts List for Vitodens installation fittings.

*2 Ball valves shipped mounted to boiler manifold.

*3 Select circulation pump based upon system pressure drop and flow rate requirement - see Vitodens Technical Data Manual.

*4 Included with Vitodens installation fittings.



IMPORTANT

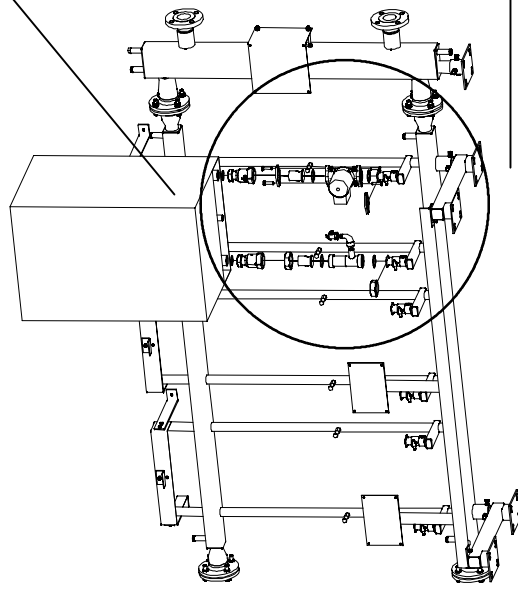
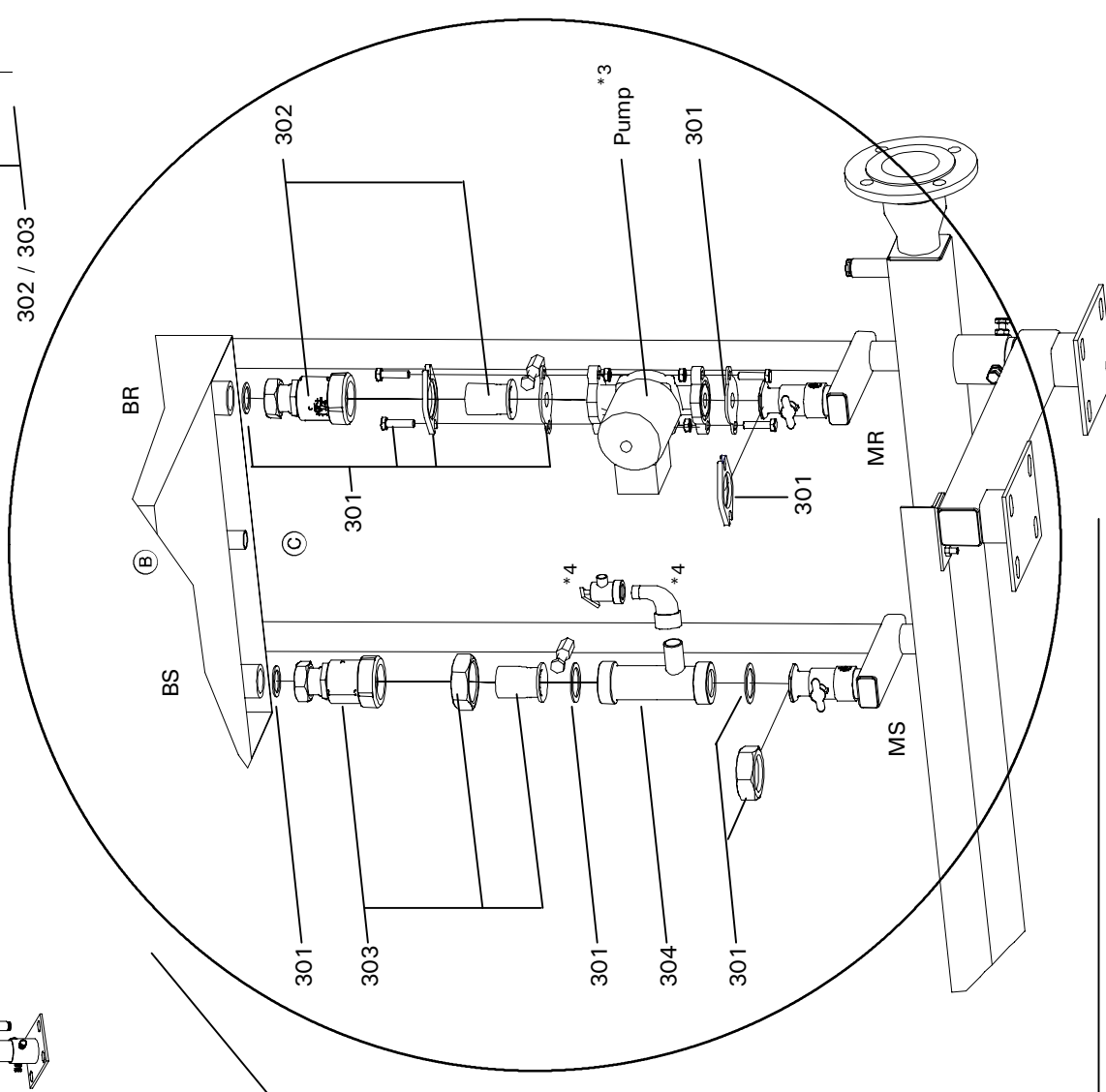
See right for proper assembly of transition connector; avoid disassembly; if disassembled, reassemble carefully and avoid damage to EPDM gasket.

If servicing, please replace entire assembly.

IMPORTANT

Install transition connector with integrated flow-check valve on boiler return only.

302 / 303



VITODENS 200

Vitodens 200	WB2 6-24C	WB2 6-24	WB2 8-32	WB2 11-44	WB2 15-60	
Shipping Overview	Price List Section:		2.5			
	Parts Catalog Section:		10			
	Series Name:		WB2			
	Accurate as of:		07/01/2012			
9/2003 - present	Natural Gas					
	WB24272	WB24273	WB24274	see prev.	see prev.	
Boiler	7170 317	7170 318	7170 319			
Inst Fittings	7134 233	7134 218	7134 218			
Console	7134 216	7134 216	7134 216			
Power Mod	7134 207	7134 207	7134 207			
	IMPORTANT Ensure ONLY the 7134 409 Adaptor is shipped with the WB24272-WB24274 above, NOT the previous Adaptor!					
8/2005 - 10/2006	Natural Gas					
	see prev.	see prev.	see prev.	WB20551	WB20552	
Boiler				7134 606	7188 577	
Inst Fittings				7134 608	7134 608	
Console				7134 216	7134 216	
Power Mod				7134 208	7134 208	
	IMPORTANT Installation fittings are not forwards or backwards compatible.					
10/2006 - present	Natural Gas					
	see prev.	see prev.	see prev.	WB20551	WB20552	
Boiler				7188 578	7188 577	
Inst Fittings				7134 633	7134 633	
Console				7134 216	7134 216	
Power Mod				7134 208	7134 208	
	IMPORTANT Installation fittings are not forwards or backwards compatible.					
9/2007 - present	Natural Gas					
	see prev.	WB24273	WB24274	see prev.	see prev.	
Boiler		7170 318	7170 319			
Inst Fittings		7134 218	7134 218			
Console		7134 216	7134 216			
Power Mod		7134 207	7134 207			
	IMPORTANT Installation fittings are not forwards or backwards compatible.					

Vitodens 200	WB2A 6-24C WB24272	WB2A 6-24 WB24273	WB2A 8-32 WB24274	
---------------------	--	---------------------------------------	---------------------------------------	--

General Info	Price List Section:	2.5
	Parts Catalog Section:	10
	Series Name:	WB2 (11/2003 - 6/2009)
	Applies to serials nos. beginning with:	7170317..., 7170318..., 7170319...
	Accurate as of:	07/01/2012

Parts List

Please refer to: Parts List

Pos. Description Part Numbers / Price Categories

001	Air Vent w Shut-off Base	7819 971 ⁷	7819 971 ⁷	7819 971 ⁷	
002	Connecting Pipe (Supply)	7817 989 ¹³	7817 989 ¹³	7817 989 ¹³	
003	Fixed High Limit Switch 212F / 100C	7825 487 ¹⁴	7825 487 ¹⁴	7825 487 ¹⁴	
004 W	Sensor #3 (Boiler)	7819 967 ¹⁴	7819 967 ¹⁴	7819 967 ¹⁴	
005 W	Gasket Set	7817 898 ¹²	7817 898 ¹²	7817 898 ¹²	
006 W	Sensor #5 (DHW)	7819 825 ¹⁴	n.a. ^{n.a.}	n.a. ^{n.a.}	
007	Profile Gasket (Left/Right)	7819 748 ⁵	7819 748 ⁵	7819 748 ⁵	
008	Insulation (Ht Exch)	7819 192 ¹³	n.a. ^{n.a.}	n.a. ^{n.a.}	
009	Bolt, M6	7819 788 ⁴	n.a. ^{n.a.}	n.a. ^{n.a.}	
010	Spring Clip (Set)	7819 757 ⁸	7819 757 ⁸	7819 757 ⁸	
011	Replac. Powerhead Viupe-60 Km	7819 749 ³³	7819 749 ³³	7819 749 ³³	
012	Wall-Mount Bracket	7814 136 ⁹	7814 136 ⁹	7814 136 ⁹	
013	Diverting Valve	7819 877 ¹⁶	7819 877 ¹⁶	7819 877 ¹⁶	
014	P-Trap	7818 023 ⁷	7818 023 ⁷	7818 023 ⁷	
015	Heat Exchanger Assly (ASME)	7823 022 ⁷⁶	7823 022 ⁷⁶	7823 023 ⁷⁹	
016	Profile Gasket (Top/Bottom)	7818 022 ⁷	7818 022 ⁷	7818 022 ⁷	
017	Hose Elbow f P-Trap	7820 150 ⁶	7820 150 ⁶	7820 150 ⁶	
018	Transformer, 230V	7819 758 ¹⁷	7819 758 ¹⁷	7819 758 ¹⁷	
019	Lubricating Grease (6g)	7819 602 ⁵	7819 602 ⁵	7819 602 ⁵	
020	Heat Conductive Paste	7819 193 ³	7819 193 ³	7819 193 ³	
021	Extension Bolt, M6	7819 876 ⁵	7819 876 ⁵	7819 876 ⁵	
022	Condensate Hose	7818 021 ⁶	7818 021 ⁶	7818 021 ⁶	
025	Cover (Flip-Down)	7819 772 ¹²	7819 772 ¹²	7819 772 ¹²	
026	Maintenance Kit	7819 763 ¹⁰	7819 763 ¹⁰	7819 763 ¹⁰	
028	Front Panel	7823 465 ²⁵	7823 465 ²⁵	7823 465 ²⁵	
029	Press. Gage (in Bar)	7817 535 ⁸	7817 535 ⁸	7817 535 ⁸	
030	Cover Panel	7818 020 ²⁰	7818 020 ²⁰	7818 020 ²⁰	
031	Extension Pipe	7820 092 ¹²	7820 092 ¹²	7820 092 ¹²	
032	Bushing	7819 745 ⁴	7819 745 ⁴	7819 745 ⁴	
033	Connector Retaining Clip	7819 879 ⁴	7819 879 ⁴	7819 879 ⁴	
034	Burner Gasket	7818 117 ⁷	7818 117 ⁷	7818 117 ⁷	
035	Matrix Burner Assly	7134 388 ⁵⁸	7134 388 ⁵⁸	7134 389 ⁵⁸	
036	Ignition Transformer	7834 490 ¹⁶	7834 490 ¹⁶	7834 490 ¹⁶	
037 W	Ignition Electrode	7819 627 ¹¹	7819 627 ¹¹	7819 627 ¹¹	
038 W	Ionization Electrode	7819 628 ¹⁰	7819 628 ¹⁰	7819 628 ¹⁰	
039	Matrix Burner Mesh	7820 279 ²⁷	7820 279 ²⁷	7820 279 ²⁷	
040 W	Radial Fan	7831 025 ³⁸	7831 025 ³⁸	7831 026 ³⁸	
041 W	Differential Press. Sensor	7822 897 ¹⁵	7822 897 ¹⁵	7822 897 ¹⁵	
042 W	Gas Valve Wo Orifice	7134 747 ²⁹	7134 747 ²⁹	7134 747 ²⁹	
042 b	Adaptor f Pr.Sensor DDT 401	7827 559 ¹³	7827 559 ¹³	7827 559 ¹³	
047	Heat Exchanger (DHW)	7819 802 ³¹	n.a. ^{n.a.}	n.a. ^{n.a.}	
048	Hood f Ctrl Unit	7818 282 ⁶	7818 282 ⁶	7818 282 ⁶	
049	Flow Sensor	7819 810 ⁹	n.a. ^{n.a.}	n.a. ^{n.a.}	
050	Flow Switch	7819 805 ¹²	n.a. ^{n.a.}	n.a. ^{n.a.}	
051	DCW Connection Nipple	7819 791 ⁸	n.a. ^{n.a.}	n.a. ^{n.a.}	continued

Vitodens 200	WB2A 6-24C WB24272	WB2A 6-24 WB24273	WB2A 8-32 WB24274	
---------------------	--	---------------------------------------	---------------------------------------	--

General Info Price List Section: 2.5
 Parts Catalog Section: 10
 Series Name: WB2 (11/2003 - 6/2009)
 Applies to serials nos. beginning with: 7170317..., 7170318..., 7170319...
 Accurate as of: 07/01/2012

Parts List

Please refer to: Parts List

Pos. Description Part Numbers / Price Categories

052 *6	Solenoid Valve	7329 856 ¹⁶	7329 856 ¹⁶	7329 856 ¹⁶	
053	Test Port Plug Set	7820 974 ⁹	7820 974 ⁹	7820 974 ⁹	
054	Water Filter	7819 792 ⁴	n.a. ^{n.a.}	n.a. ^{n.a.}	
055 *4	Vent Pipe Adaptor, D = 80/125	7134 409 ¹¹	7134 409 ¹¹	7134 409 ¹¹	
059	Nameplate (Set) Vitodens 200	7818 560 ⁵	7818 560 ⁵	7818 560 ⁵	
060 W	Water Press. Switch	7820 384 ¹²	7820 384 ¹²	7820 384 ¹²	
061	Press. Bypass Valve	7141 377 ¹⁸	7141 377 ¹⁸	7141 377 ¹⁸	
062	Supply Piping	7820 897 ²³	7820 897 ²³	7820 898 ²⁵	
063	Shield	7820 972 ⁷	7820 972 ⁷	7820 972 ⁷	
070	Access. Pack (Encl.Hardw 10pk)	7818 437 ⁹	7818 437 ⁹	7818 437 ⁹	
100	Access. Pack (Burner Parts)	7826 149 ¹⁰	7826 149 ¹⁰	7826 149 ¹⁰	
120	Burner Gskt (Primary)	7817 746 ⁸	7817 746 ⁸	7817 746 ⁸	
141	Ctrl Console	7134 216 ⁵³	7134 216 ⁵³	7134 216 ⁵³	
142	Mounting Plate	7819 943 ⁵	7819 943 ⁵	7819 943 ⁵	
143	Cable Entry Cover	7819 936 ⁵	7819 936 ⁵	7819 936 ⁵	
144	Connection Module Cover	7819 897 ⁸	7819 897 ⁸	7819 897 ⁸	
145	Circuit Board, Cover, VR20	7819 938 ⁴	7819 938 ⁴	7819 938 ⁴	
146	Connection Module	7819 906 ⁹	7819 906 ⁹	7819 906 ⁹	
147	Mounting Bracket	7820 043 ⁷	7820 043 ⁷	7820 043 ⁷	
148	Cable Entry Plug	7819 939 ³	7819 939 ³	7819 939 ³	
149	Rocker Switch	7819 135 ⁷	7819 135 ⁷	7819 135 ⁷	
150	Cable Entry Strip	7819 935 ⁶	7819 935 ⁶	7819 935 ⁶	
151	Access. Pack (3 Dials, CFL)	7404 504 ⁴	7404 504 ⁴	7404 504 ⁴	
152	Counter Plug (Set)	7819 940 ¹⁰	7819 940 ¹⁰	7819 940 ¹⁰	
153	Switch (Rocker Pair)	7819 923 ⁷	7819 923 ⁷	7819 923 ⁷	
154	Switch (On/Off) Mechanism Only-No Switch	7819 945 ⁴	7819 945 ⁴	7819 945 ⁴	
155	Cover (Cable Guide Blind)	7819 932 ⁴	7819 932 ⁴	7819 932 ⁴	
156	Circuit Board, Optolink	7818 141 ¹⁰	7818 141 ¹⁰	7818 141 ¹⁰	
157	Circuit Board, Adaptor	7819 950 ⁹	7819 950 ⁹	7819 950 ⁹	
158 W	Burner Ctrl, LGM29.55	7134 268 ³⁶	7134 268 ³⁶	7134 268 ³⁶	
159 W	Circuit Board, VR20	7134 328 ²⁹	7134 328 ²⁹	7134 328 ²⁹	
160	Jumper Plug, Ionization	7819 925 ⁵	7819 925 ⁵	7819 925 ⁵	
161	Wiring Harness, "X 11"	7819 929 ⁶	7819 929 ⁶	7819 929 ⁶	
162	Wiring Harness, "X 12"	7816 504 ⁷	7816 504 ⁷	7816 504 ⁷	
163	Wiring Harness, "X 13"	7820 353 ¹⁰	n.a. ^{n.a.}	n.a. ^{n.a.}	
164	Wiring Harness, "X 13"	n.a. ^{n.a.}	7820 354 ¹⁰	7820 354 ¹⁰	
165	Wiring Harness, "X 14"	7820 355 ⁹	n.a. ^{n.a.}	n.a. ^{n.a.}	
166	Wiring Harness, "X 14"	n.a. ^{n.a.}	7820 096 ⁹	7820 096 ⁹	
167	Wiring Harness, Ion/Pe	7818 575 ⁸	7818 575 ⁸	7818 575 ⁸	
170	Cover (Poti)	7819 937 ³	7819 937 ³	7819 937 ³	
171	Flat Cable, 26-Pole	7819 946 ⁷	7819 946 ⁷	7819 946 ⁷	
174 W	Fuse, 6.3a/250v Pkg Of 10	7404 365 ⁶	7404 365 ⁶	7404 365 ⁶	
177	Comfortrol Programming Unit	7133 383 ³⁹	7133 383 ³⁹	7133 383 ³⁹	
178	Access. Pack (Ctrl Unit)	7819 941 ⁴	7819 941 ⁴	7819 941 ⁴	

VITODENS 200

Vitodens 200	WB2A 6-24C WB24272	WB2A 6-24 WB24273	WB2A 8-32 WB24274	
---------------------	-----------------------------------	----------------------------------	----------------------------------	--

General Info	Price List Section:	2.5
	Parts Catalog Section:	10
	Series Name:	WB2 (11/2003 - 6/2009)
	Applies to serials nos. beginning with:	7170317..., 7170318..., 7170319...
	Accurate as of:	07/01/2012

Parts List

Please refer to: Parts List
Pos. Description

Part Numbers / Price Categories

179	Press. Gage Insert	7819 875 ⁴	7819 875 ⁴	7819 875 ⁴	
183	Touch-UP Paint Stk Pure WHT	7819 490 ¹⁰	7819 490 ¹⁰	7819 490 ¹⁰	
184	Touch-UP Spray Paint Pure WHT	7819 491 ¹⁵	7819 491 ¹⁵	7819 491 ¹⁵	
200	Fastening Bracket (10 Pack)	7818 063 ⁶	7818 063 ⁶	7818 063 ⁶	
300 ^{*2}	Pr.Rel Valve, 3/4" (FF) 30PSI	9542 940 ⁸	9542 940 ⁸	9542 940 ⁸	
301 ^{*2}	Pr.Rel Valve, 3/4 x 3/4" 45PSI	9549 944 ¹¹	9549 944 ¹¹	9549 944 ¹¹	
302 W	Sensor #1 (Outdoor)	7820 148 ¹⁹	7820 148 ¹⁹	7820 148 ¹⁹	
303	Power Ctrl Module	7134 207 ⁵⁰	7134 207 ⁵⁰	7134 207 ⁵⁰	
303 b	Circuit Board, PumpCtrlMod	7374 159 ²⁸	7374 159 ²⁸	7374 159 ²⁸	
304 W	Gasket, Assortment 1/2", 3/4"	7820 128 ⁵	7820 128 ⁵	7820 128 ⁵	
305	Drain Valve Kit, 3/4"	7134 427 ^D	7134 427 ^D	7134 427 ^D	
306	Power Conditioner, M4-EX	9560 995 ^{Net x}	9560 995 ^{Net x}	9560 995 ^{Net x}	net pricing
307	Access. Pack (Strain Reliefs)	7404 578 ⁴	7404 578 ⁴	7404 578 ⁴	
308	Flex Gas Pipe, 90x1.5x1.5cm	7826 155 ^{Net x}	7826 155 ^{Net x}	7826 155 ^{Net x}	net pricing
309 ^{*5}	Solenoid Valve, 24V	n.a. ^{n.a.}	7329 856 ¹⁶	7329 856 ¹⁶	
310 ^{*5}	Sensor #5 (DHW) WB2 *** DHW Only ***	n.a. ^{n.a.}	7134 239 ²⁰	7134 239 ²⁰	
311	Connection Pipe, DHW	7830 741 ⁹	n.a. ^{n.a.}	n.a. ^{n.a.}	

Conversion Kits

	NG > LP	7134 246 ¹⁰	7134 246 ¹⁰	7134 247 ¹⁰	
	LP > NG	7134 250 ¹⁰	7134 250 ¹⁰	7134 251 ¹⁰	

Notes:

*2 IMPORTANT: 30 psi pressure relief valve is standard equipment shipped with boiler; 45 psi valve is optional equipment.

*4 IMPORTANT: Ensure ONLY the 7134 409 Adaptor is shipped with the WB24272, WB24273, and WB24274 above, NOT the previous adaptor!

*5 IMPORTANT: Only for units equipped with DHW Production Kit.

*6 IMPORTANT: With WB2A 6-24 and WB2A 8-32, the solenoid valve only applies when DHW Production Kit is installed.

"n.a." indicates not applicable.

"W" indicates wearing part (service).

"L" indicates literature (no charge).

"Kit" or "Other" indicates that this is not a Price Category item; contact Inside Sales for pricing.

VITODENS 200 WB2 Series

Model No.	Serial No. *1
WB2 6-24C	7170317□□□□□□□□□□□□□□
WB2 6-24	7170318□□□□□□□□□□□□□□
WB2 8-32	7170319□□□□□□□□□□□□□□

Please file in Service Binder

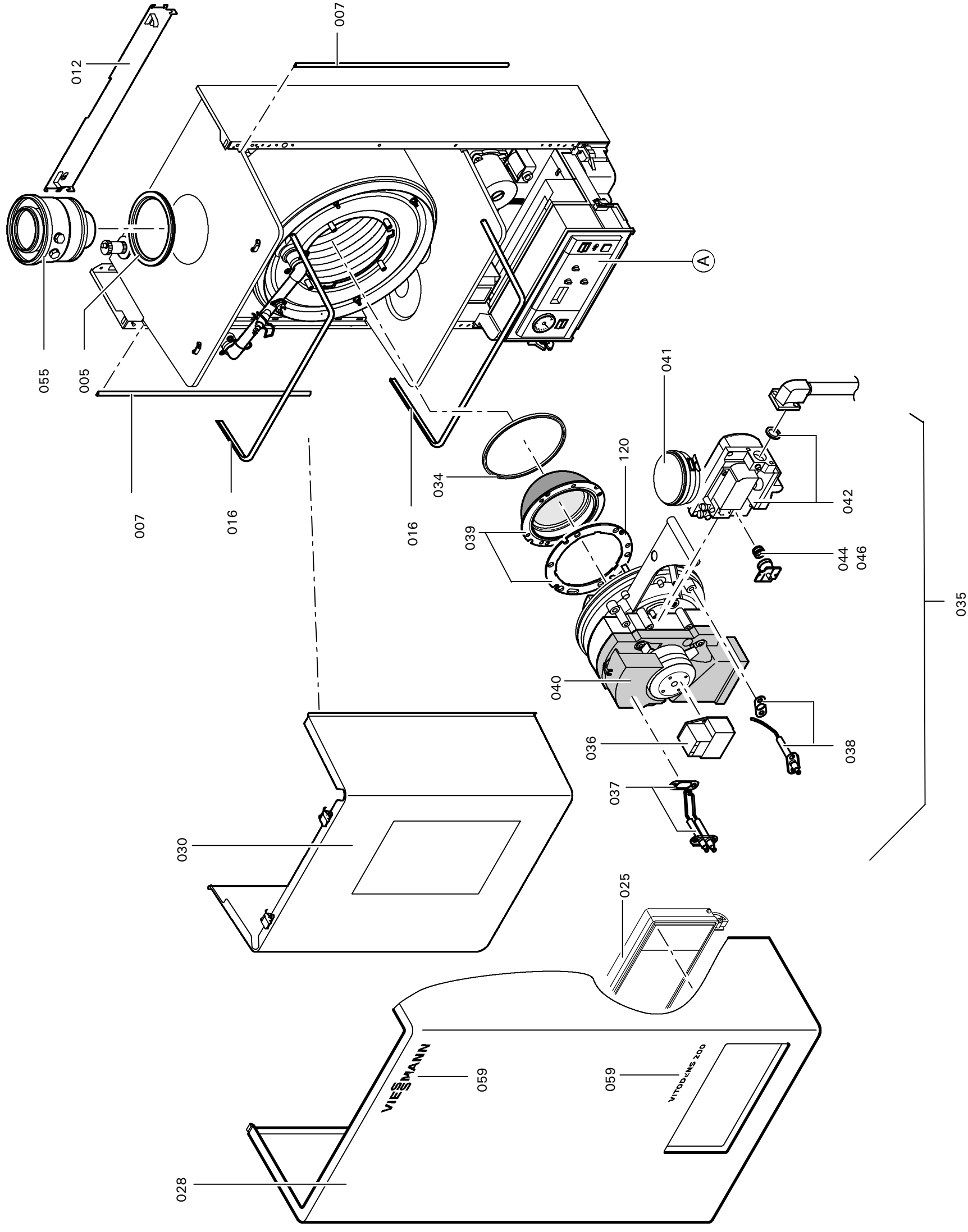
Ordering Replacement Parts:
Please provide boiler Model No. and Serial No. when ordering replacement parts. Order replacement components from your Viessmann distributor.

- Parts**
- 005 Gasket set
 - 007 Profile gasket (left/right)
 - 012 Wall-mount bracket
 - 016 Profile gasket (top/bottom)
 - 025 Flip-down cover
 - 028 Front panel
 - 030 Cover panel
 - 034 Burner gasket
 - 035 Matrix burner
 - 036 Ignition transformer
 - 037 Ignition electrode
 - 038 Ionization electrode
 - 039 Matrix burner mesh with gasket
 - 040 Radial fan
 - 041 Differential pressure sensor
 - 042 Gas valve (w.o. orifice)
 - 044 Orifice, NG
 - 046 Orifice, LP
 - 055 Vent pipe adaptor
 - 059 Nameplate (set)
 - 120 Burner gasket (primary)

- Other Parts (not illustrated)**
- 019 Lubricating grease (6g)
 - 020 Heat conductive paste
 - 026 Maintenance Kit
 - 183 Touch-up paint stick, "Pure White"
 - 184 Touch-up spray paint, "Pure White"
 - 310 Installation Instructions
 - 311 Start-up/Service Instructions
 - 312 Operating Instructions
 - 313 Parts List, boiler
 - 314 Parts List, installation fittings

Ⓐ Boiler Control
(may not be exactly as illustrated)

*1 A 16-digit bar-coded serial no. is located on the cover panel assembly, beneath the front panel.



Parts

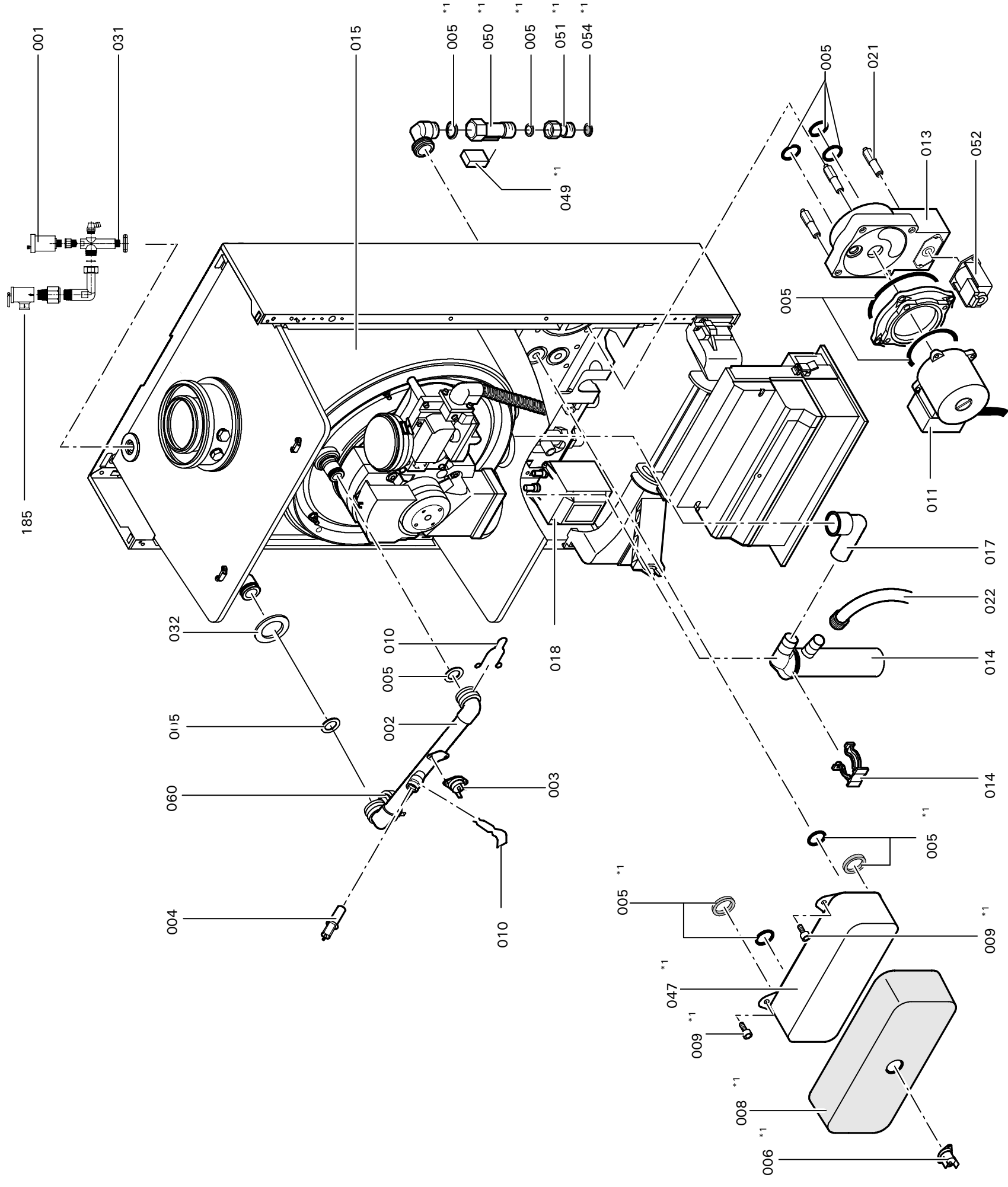
- 001 Automatic air vent
- 002 Connecting pipe (supply)
- 003 Fixed high limit switch, 210 °F / 99 °C
- 004 Temperature sensor (boiler)
- 005 Gasket set
- 006 Temperature sensor (DHW) *2
- 008 Insulation *2
- 009 Bolt, M6 *2
- 010 Spring clip (set)
- 011 Replacement powerhead, Vi UPE-60KM
- 013 Diverting valve
- 014 P-Trap
- 015 Heat exchanger assembly
- 017 Hose elbow for P-trap
- 018 Transformer, 230V
- 021 Extension bolt, M6
- 022 Condensate hose
- 031 Extension pipe
- 032 Bushing (set)
- 047 Heat exchanger (DHW) *2
- 049 Flow sensor *2
- 050 Flow switch *2
- 051 DCW connection nipple (57mm) *2
- 052 Solenoid valve *3
- 054 Water filter *2
- 060 Water pressure switch

Parts not illustrated

- 033 Connector retaining clip
- 061 Pressure bypass valve

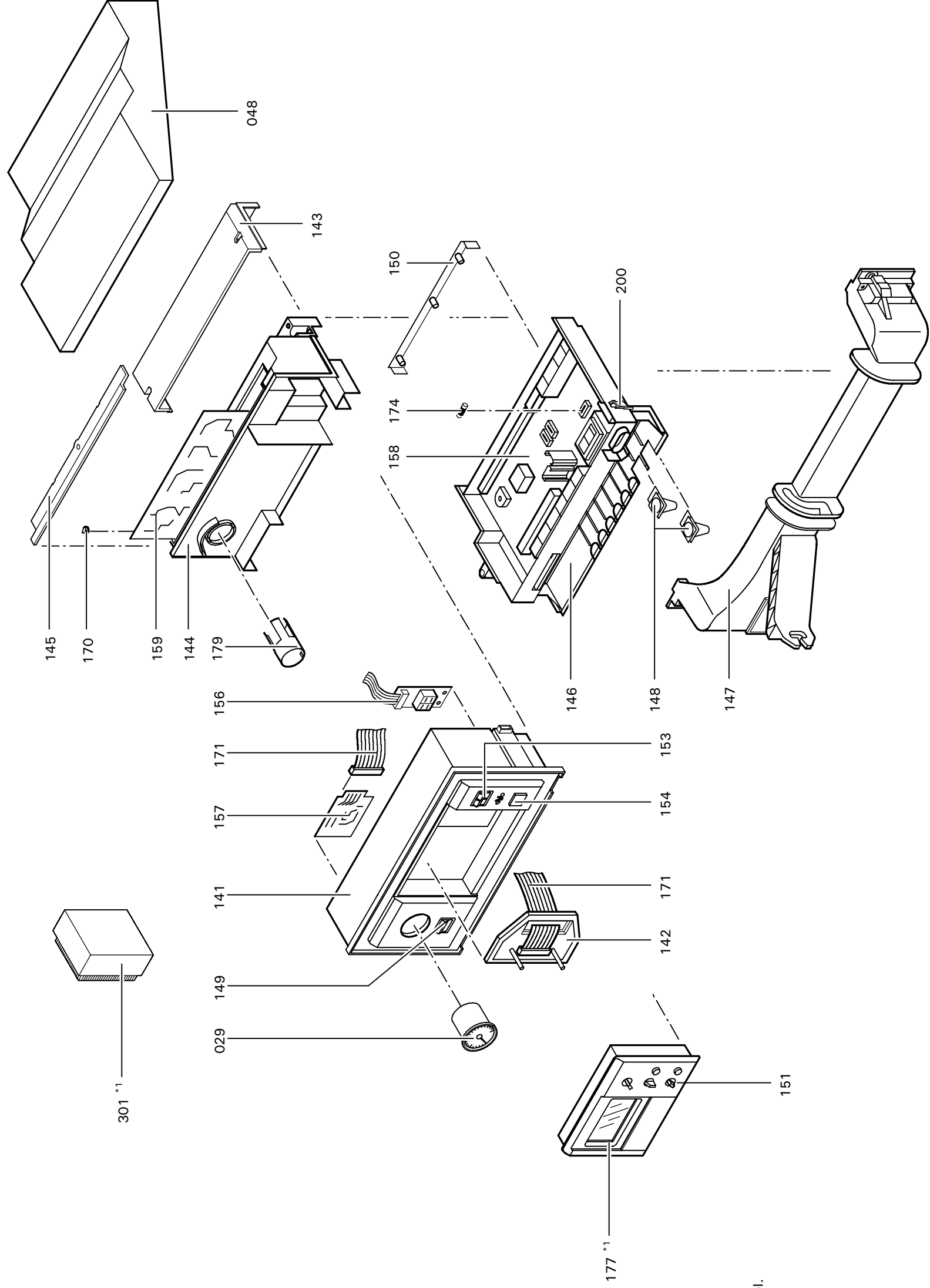
*2 Only applies to DHW "Combi" model.

*3 Standard equipment with "Combi" model. Standard equipment with DHW Production Kit.



- Parts**
- 029 Pressure gage
 - 048 Hood for control unit
 - 141 Control console assembly
 - 142 Mounting plate
 - 143 Cable entry cover
 - 144 Connection module cover
 - 145 Circuit board cover, VR20
 - 146 Connection module
 - 147 Mounting bracket
 - 148 Cable entry plug
 - 149 Comfort switch
 - 151 Accessory pack (3 dials)
 - 150 Cable entry strip
 - 153 Switch (rocker)
 - 154 Switch (on/off)
 - 156 Circuit board, Optolink
 - 157 Circuit board, adaptor
 - 158 Burner control unit, LGM29
 - 159 Circuit board, VR20
 - 170 Cover (Poti)
 - 171 Flat cable, 26-pole
 - 174 Fuse, 6.3A
 - 177 Comfortrol programming unit
 - 179 Pressure gage insert
 - 200 Fastening bracket
 - 302 Outdoor temperature sensor #1
- Parts not illustrated
- 152 Counter plug (set)
 - 160 Jumper plug, ionization
 - 161 Wiring harness "X 11"
 - 162 Wiring harness "X 12"
 - 163 Wiring harness "X 13" *2
 - 164 Wiring harness "X 13"
 - 165 Wiring harness "X 14" *2
 - 166 Wiring harness "X 14"
 - 178 Accessory pack (parts for control unit)

*2 Only applies to DHW "Combi" model.



VITODENS 200

WB2 Series	WB2 6-24C WB24261 WB24262	WB2 6-24 WB20454 WB20458	WB2 8-32 WB20455 WB20459	
-------------------	--	---------------------------------------	---------------------------------------	--

General Info Price List Section: 2.5
 Parts Catalog Section: 10
 Series Name: Vitodens 200 WB2 (6/2002 - 9/2003)
 Applies to serials nos. beginning with: 7167063..., 7167064..., 7167065...
 Accurate as of: 07/01/2012

Parts List

Please refer to: Parts List
 Pos. Description

Part Numbers / Price Categories

Pos.	Description	Part Numbers / Price Categories
001	Air Vent w Shut-off Base	7819 971 ⁷
002	Connecting Pipe (Supply)	7820 151 ¹⁵
003	Fixed High Limit, 212F/100C	7825 487 ¹⁴
004 W	Sensor (temperature)	7819 967 ¹⁴
005 W	Gasket Set	7819 746 ¹⁰
006 W	Sensor #5 (DHW)	7819 825 ¹⁴ n.a. ^{n.a.}
007	Profile Gasket (Left/Right)	7819 748 ⁵
008	Insulation (Ht Exch)	7819 192 ¹³ n.a. ^{n.a.}
009	Bolt, M6	7819 788 ⁴ n.a. ^{n.a.}
010	Spring Clip (Set)	7819 757 ⁸
011	Replac. Powerhead VIUPE-60 KM	7819 749 ³³
012	Wall-Mount Bracket	7814 136 ⁹
013	Diverting Valve	7819 877 ¹⁶
014	P-Trap	7818 023 ⁷
015	Heat Exchanger Assly, ASME	7134 787 ⁷⁶
016	Profile Gasket (Top/Bottom)	7818 022 ⁷
017	Hose Elbow f P-Trap	7820 150 ⁶
018	Transformer, 230v	7819 758 ¹⁷
019	Lubricating Grease (6g)	7819 602 ⁵
020	Heat Conductive Paste	7819 193 ³
021	Extension Bolt, M6	7819 876 ⁵
022	Condensate Hose	7818 021 ⁶
025	Cover (Flip-Down)	7819 772 ¹²
026	Maintenance Kit	7819 763 ¹⁰
028	Front Panel	7823 465 ²⁵
029	Press. Gage (PSI)	7817 535 ⁸
030	Cover Panel	7818 020 ²⁰
031	Extension Pipe	7820 092 ¹²
032	Bushing	7819 745 ⁴
033	Connector Retaining Clip	7819 879 ⁴
034	Burner Gasket	7818 117 ⁷
035	Matrix Burner Assly	7134 388 ⁵⁸
036	Ignition Transformer	7834 490 ¹⁶
037 W	Ignition Electrode	7819 627 ¹¹
038 W	Ionization Electrode	7819 628 ¹⁰
039	Matrix Burner Mesh	7820 279 ²⁷
040 W	Radial Fan	7831 025 ³⁸
041 W	Differential Press. Sensor	7822 897 ¹⁵
042 W	Gas Valve Wo Orifice	7134 747 ²⁹
042 b	Adaptor f Pr.Sensor DDT 401	7827 559 ¹³
043	Gas Connection Hose (w Seals)	7819 633 ¹⁸
047	Heat Exchanger (DHW)	7819 802 ³¹ n.a. ^{n.a.}
048	Hood (Internal) f Ctrl Unit	7818 282 ⁶
049	Flow Sensor (Reed Contact)	7819 810 ⁹ n.a. ^{n.a.}

continued

VITODENS 200

WB2 Series	WB2 6-24C WB24261 WB24262	WB2 6-24 WB20454 WB20458	WB2 8-32 WB20455 WB20459	
-------------------	--	---------------------------------------	---------------------------------------	--

General Info Price List Section: 2.5
 Parts Catalog Section: 10
 Series Name: Vitodens 200 WB2 (6/2002 - 9/2003)
 Applies to serials nos. beginning with: 7167063..., 7167064..., 7167065...
 Accurate as of: 07/01/2012

Parts List

Please refer to: Parts List
 Pos. Description

Part Numbers / Price Categories

050	Flow Switch	7819 805 ¹²	n.a. ^{n.a.}	n.a. ^{n.a.}	
051	DCW Connection Nipple (57mm)	7819 801 ⁹	n.a. ^{n.a.}	n.a. ^{n.a.}	
052	Solenoid Valve, 24V	7329 856 ¹⁶	n.a. ^{n.a.}	n.a. ^{n.a.}	
053	Test Port Plug Set	7820 974 ⁹	7820 974 ⁹	7820 974 ⁹	
054 W	Water Filter	7819 792 ⁴	n.a. ^{n.a.}	n.a. ^{n.a.}	
055	Vent Pipe Adaptor, D = 80/125	7134 238 ¹²	7134 238 ¹²	7134 238 ¹²	
058	Oper. Instr./User's Info WB2	5167 475 ^L	5167 475 ^L	5167 475 ^L	
059	Nameplate (Set) Vitodens 200	7818 560 ⁵	7818 560 ⁵	7818 560 ⁵	
060 W	Water Press. Switch	7820 384 ¹²	7820 384 ¹²	7820 384 ¹²	
061	Press. Bypass Valve	7141 377 ¹⁸	7141 377 ¹⁸	7141 377 ¹⁸	
062	Supply Piping	7820 897 ²³	7820 897 ²³	7820 898 ²⁵	
063	Shield	7820 972 ⁷	7820 972 ⁷	7820 972 ⁷	
070	Access. Pack (Encl.Hardw 10pk)	7818 437 ⁹	7818 437 ⁹	7818 437 ⁹	
100	Access. Pack (Burner Parts)	7826 149 ¹⁰	7826 149 ¹⁰	7826 149 ¹⁰	
120	Burner Gasket (Primary)	7817 746 ⁸	7817 746 ⁸	7817 746 ⁸	
141	Ctrl Console (Empty)	7819 944 ¹⁰	7819 944 ¹⁰	7819 944 ¹⁰	
142	Mounting Plate	7819 943 ⁵	7819 943 ⁵	7819 943 ⁵	
143	Cable Entry Cover	7819 936 ⁵	7819 936 ⁵	7819 936 ⁵	
144	Connection Module Cover	n.a. ^{n.a.}	n.a. ^{n.a.}	n.a. ^{n.a.}	
145	Circuit Board, Cover, VR20	7819 938 ⁴	7819 938 ⁴	7819 938 ⁴	
146	Connection Module	7819 906 ⁹	7819 906 ⁹	7819 906 ⁹	
147	Mounting Bracket	7820 043 ⁷	7820 043 ⁷	7820 043 ⁷	
148	Cable Entry Plug	7819 939 ³	7819 939 ³	7819 939 ³	
150	Cable Entry Strip	7819 935 ⁶	7819 935 ⁶	7819 935 ⁶	
152	Counter Plug (Set)	7819 940 ¹⁰	7819 940 ¹⁰	7819 940 ¹⁰	
153	Switch (Rocker Pair)	7819 923 ⁷	7819 923 ⁷	7819 923 ⁷	
154	Switch (On/Off) - Mechanism Only-No Switch	7819 945 ⁴	7819 945 ⁴	7819 945 ⁴	
155	Cover (Cable Guide Blind)	7819 932 ⁴	7819 932 ⁴	7819 932 ⁴	
156	Circuit Board, Optolink	7818 141 ¹⁰	7818 141 ¹⁰	7818 141 ¹⁰	
157	Circuit Board, Adaptor	7819 950 ⁹	7819 950 ⁹	7819 950 ⁹	
158 W	Burner Ctrl, LGM29.55	7134 268 ³⁶	7134 268 ³⁶	7134 268 ³⁶	
159 W	Circuit Board, VR20	7134 328 ²⁹	7134 328 ²⁹	7134 328 ²⁹	
160	Jumper Plug, Ionization	7819 925 ⁵	7819 925 ⁵	7819 925 ⁵	
161	Wiring Harness, X 11	7819 929 ⁶	7819 929 ⁶	7819 929 ⁶	
162	Wiring Harness, X 12	7816 504 ⁷	7816 504 ⁷	7816 504 ⁷	
164	Wiring Harness, X 13	7820 353 ¹⁰	7820 354 ¹⁰	7820 354 ¹⁰	
166	Wiring Harness, X 14	7820 355 ⁹	7820 096 ⁹	7820 096 ⁹	
167	Wiring Harness, Ion/Pe	7818 575 ⁸	7818 575 ⁸	7818 575 ⁸	
170	Cover (Poti)	7819 937 ³	7819 937 ³	7819 937 ³	
171	Flat Cable, 26-Pole	7819 946 ⁷	7819 946 ⁷	7819 946 ⁷	
174 W	Fuse, 6.3a/250v (Pkg of 10)	7404 365 ⁶	7404 365 ⁶	7404 365 ⁶	
177	Comfortrol Programming Unit	7133 383 ³⁹	7133 383 ³⁹	7133 383 ³⁹	
178	Access. Pack (Ctrl Unit)	7819 941 ⁴	7819 941 ⁴	7819 941 ⁴	
179	Press. Gage Insert	7819 942 ⁵	7819 942 ⁵	7819 942 ⁵	continued

VITODENS 200

WB2 Series	WB2 6-24C WB24261 WB24262	WB2 6-24 WB20454 WB20458	WB2 8-32 WB20455 WB20459	
-------------------	--	---------------------------------------	---------------------------------------	--

General Info	Price List Section:	2.5
	Parts Catalog Section:	10
	Series Name:	Vitodens 200 WB2 (6/2002 - 9/2003)
	Applies to serials nos. beginning with:	7167063..., 7167064..., 7167065...
	Accurate as of:	07/01/2012

Parts List

Please refer to: Parts List
Pos. Description

Part Numbers / Price Categories

180	Install. Instr. WB2-24/32	5167 473 ^L	5167 473 ^L	5167 473 ^L	
181	Start-Up/Instal. Instr. WB2-24/32	5167 474 ^L	5167 474 ^L	5167 474 ^L	
182	Parts List WB2-24/32	5167 476 ^L	5167 476 ^L	5167 476 ^L	
183	Touch-UP Paint Stk Pure WHT	7819 490 ¹⁰	7819 490 ¹⁰	7819 490 ¹⁰	
184	Touch-UP Spray Paint, Pure WHT	7819 491 ¹⁵	7819 491 ¹⁵	7819 491 ¹⁵	
185 ^{*2}	Pr.Rel Valve, 3/4" (FF) 30PSI	9542 940 ⁸	9542 940 ⁸	9542 940 ⁸	
185 ^{*2}	Pr.Rel Valve, 3/4 x 3/4" 45PSI	9549 944 ¹¹	9549 944 ¹¹	9549 944 ¹¹	
200	Fastening Bracket (10 Pack)	7818 063 ⁶	7818 063 ⁶	7818 063 ⁶	
201 W	Sensor #1 (Outdoor)	7820 148 ¹⁹	7820 148 ¹⁹	7820 148 ¹⁹	
202	Power Ctrl Module	7134 207 ⁵⁰	7134 207 ⁵⁰	7134 207 ⁵⁰	
202 b	Circuit Board, PumpCtrlMod	7374 159 ²⁸	7374 159 ²⁸	7374 159 ²⁸	
203 W	Gasket, Assortment 1/2", 3/4"	7820 128 ⁵	7820 128 ⁵	7820 128 ⁵	
305	Drain Valve Kit, 3/4"	7134 427 ^D	7134 427 ^D	7134 427 ^D	
306	Power Conditioner, M4-EX	9560 995 ^{Net x}	9560 995 ^{Net x}	9560 995 ^{Net x}	net pricing
307	Access. Pack (Strain Reliefs)	7404 578 ⁴	7404 578 ⁴	7404 578 ⁴	
308	Flex Gas Pipe, 90x1.5x1.5cm	7826 155 ^{Net x}	7826 155 ^{Net x}	7826 155 ^{Net x}	net pricing
309 ^{*4}	Solenoid Valve, 24V	n.a. ^{n.a.}	7329 856 ¹⁶	7329 856 ¹⁶	
310 ^{*4}	Sensor #5 (DHW) WB2 *** DHW Only ***	n.a. ^{n.a.}	7134 239 ²⁰	7134 239 ²⁰	
311	Connection Pipe, DHW	7830 741 ⁹	n.a. ^{n.a.}	n.a. ^{n.a.}	

Conversion Kits

	NG > LP	7134 246 ¹⁰	7134 246 ¹⁰	7134 247 ¹⁰	
	LP > NG	7134 250 ¹⁰	7134 250 ¹⁰	7134 251 ¹⁰	

Notes:

*2 IMPORTANT 30 psi pressure relief valve is standard equipment shipped with boiler; 45 psi valve is optional equipment.

*4 IMPORTANT: Only for units equipped with DHW Production Kit.

"n.a." indicates not applicable.

"W" indicates wearing part (service).

"L" indicates literature (no charge).

"Kit" or "Other" indicates that this is not a Price Category item; contact Inside Sales for pricing.

Parts List

VISSMANN

VITODENS 200 WB2 Series

Model No.	Serial No. *1
WB2 6-24C	7167063□□□□□□□□□□□□□□□□
WB2 6-24	7167064□□□□□□□□□□□□□□□□
WB2 8-32	7167065□□□□□□□□□□□□□□□□

Please file in Service Binder

Ordering Replacement Parts:

Please provide boiler Model and Serial Number from rating plate when ordering replacement parts. Order replacement components from your Viessmann distributor.

Parts

- 005 Gasket set
- 007 Profile gasket (left/right)
- 012 Wall mount bracket
- 016 Profile gasket (top/bottom)
- 025 Cover
- 028 Front panel
- 030 Cover panel
- 034 Burner gasket
- 035 Burner assembly
- 036 Ignition module
- 037 Ignition electrode
- 038 Ionization electrode
- 039 Matrix burner assembly
- 040 Radial fan
- 041 Differential pressure sensor
- 042 Gas valve (w.o. orifice)
- 043 Gas connection hose (c/w seals)
- 044 Orifice, NG
- 046 Orifice, LP
- 055 Vent pipe adaptor
- 059 Nameplate (set)

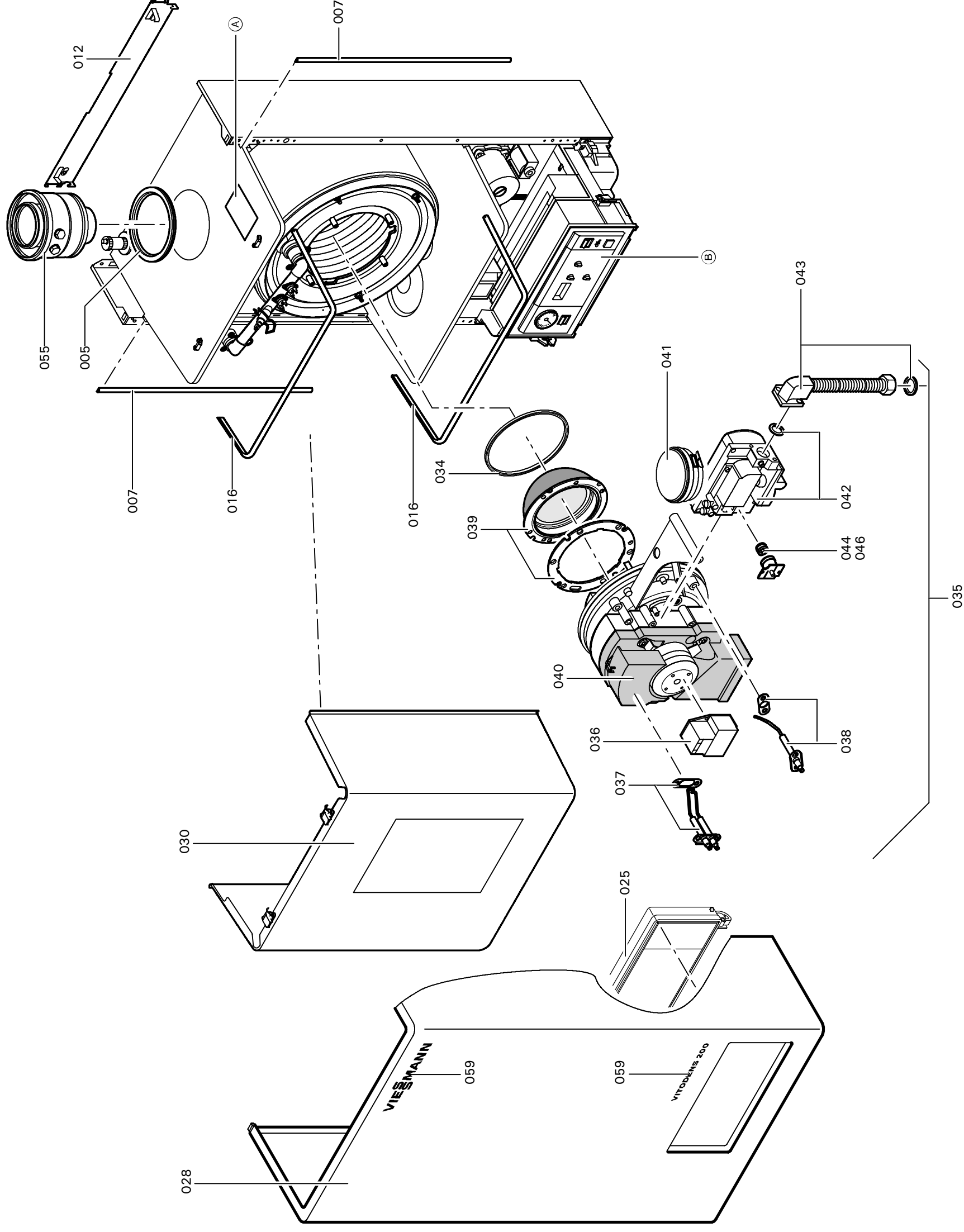
Other Parts (not illustrated)

- 019 Lubricating grease (6g)
- 020 Heat conductive paste
- 026 Maintenance kit
- 058 Operating Instructions
- 180 Installation Instructions
- 181 Start-Up/Service Instructions
- 183 Touch-up paint stick, "Pure White"
- 184 Touch-up spray paint, "Pure White"

(A) Rating plate

(B) See page 3 for control unit parts

*1 A 16-digit bar-coded serial no. is located on the cover panel assembly, beneath the front panel.

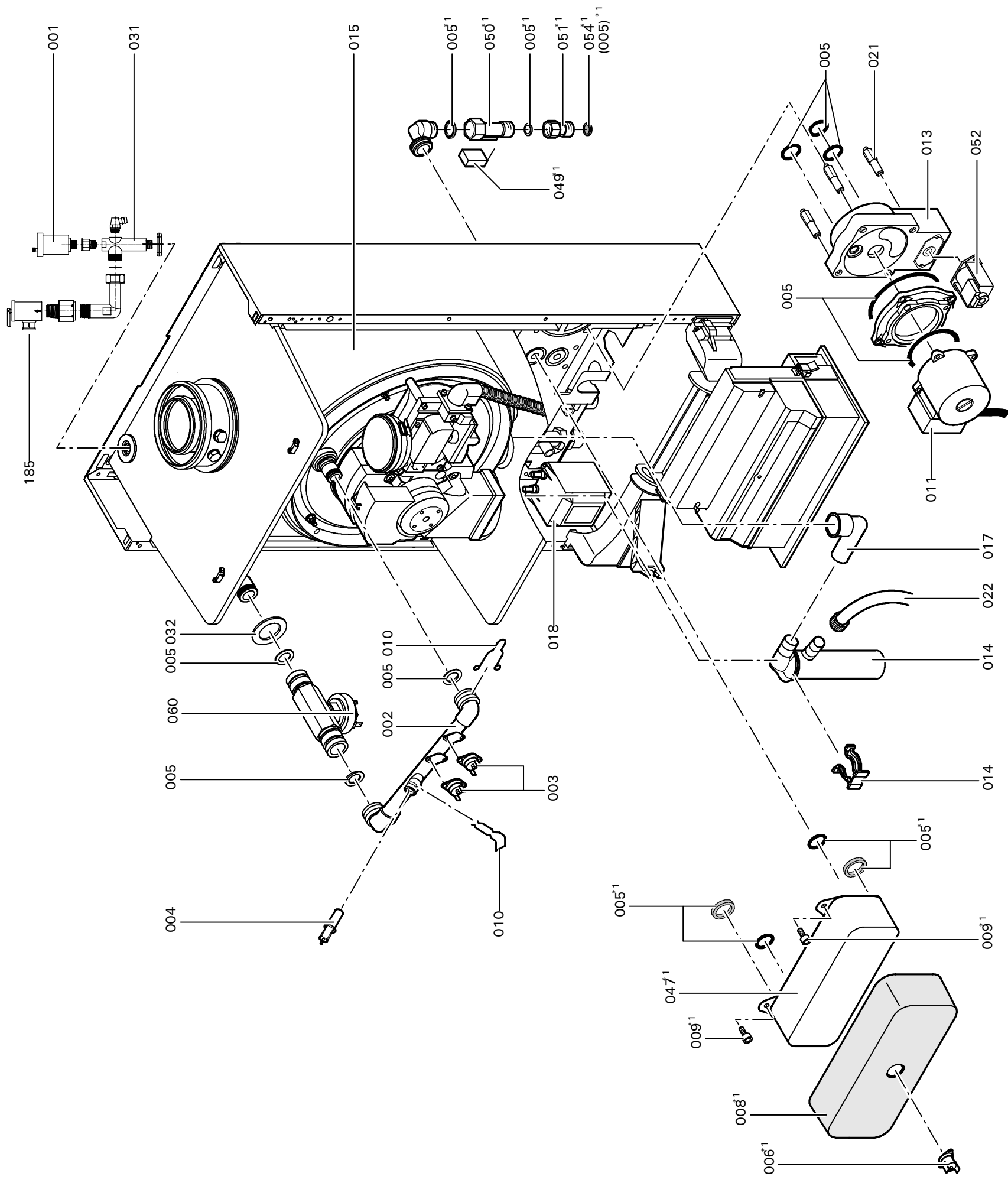


- Parts**
- 001 Automatic air vent
 - 002 Connecting pipe (supply)
 - 003 Thermal breaker, 212 °F / 100 °C
 - 004 Temperature sensor
 - 005 Gasket set
 - 006 Temperature sensor * 1
 - 008 Insulation * 1
 - 009 Bolt, M6 * 1
 - 010 Spring clip (set)
 - 011 Replacement powerhead
 - 013 Diverting valve
 - 014 P-Trap
 - 015 Heat exchanger assembly * 1
 - 017 Hose elbow for P-trap
 - 018 Transformer, 230V
 - 021 Extension bolt, M6
 - 022 Condensate hose
 - 031 Extension pipe
 - 032 Bushing (set)
 - 047 Heat exchanger (DHW) * 1
 - 049 Flow sensor * 1
 - 050 Flow switch * 1
 - 051 DCW connection nipple (57mm) * 1
 - 052 Solenoid valve
 - 054 Water filter * 1
 - 060 Water pressure switch

Parts not illustrated

- 033 Connector retaining clip
- 061 Pressure bypass valve

* 1 Only applies to DHW "Combi" model.

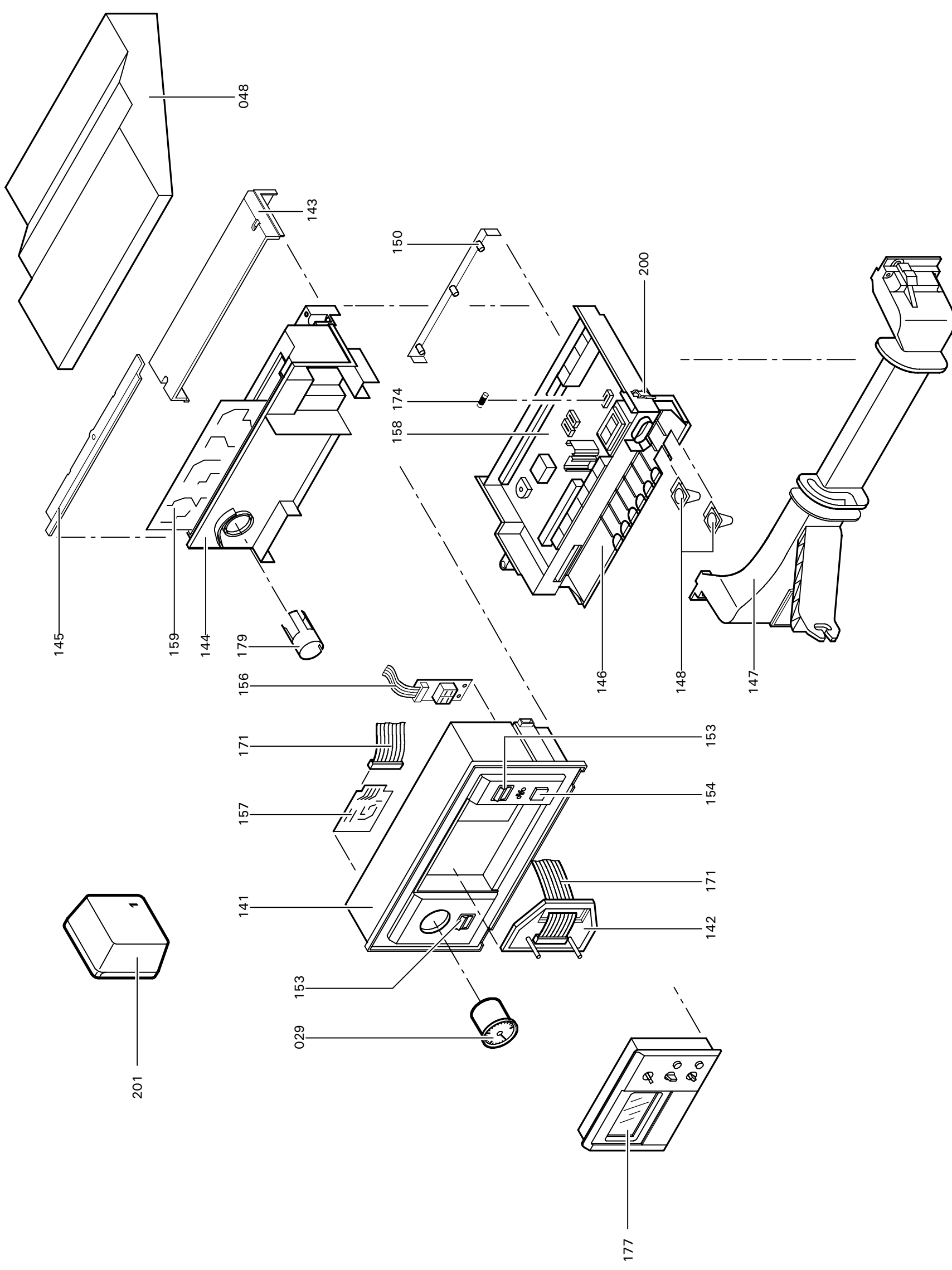


- Parts**
- 029 Pressure gage
 - 048 Hood for control unit
 - 141 Control housing
 - 142 Mounting plate
 - 143 Cable entry cover
 - 144 Connection module cover
 - 145 Circuit board cover, VR20
 - 146 Connection module
 - 147 Mounting bracket
 - 148 Cable entry plug
 - 150 Cable entry strip
 - 153 Switch (rocker)
 - 154 Switch (on/off)
 - 156 Circuit board, Optolink
 - 157 Circuit board, adaptor
 - 158 Burner control unit, LGM29
 - 159 Circuit board, VR20
 - 171 Flat cable, 26-pole
 - 174 Fuse, 6.3A
 - 177 Comfortrol programming unit
 - 179 Pressure gage insert
 - 200 Fastening bracket
 - 201 Outdoor temperature sensor #1

Parts not illustrated

- 152 Counter plug (set)
- 160 Jumper plug, ionization
- 161 Wiring harness "X 11"
- 162 Wiring harness "X 12"
- 163 Wiring harness "X 13" *1
- 164 Wiring harness "X 13"
- 165 Wiring harness "X 14" *1
- 166 Wiring harness "X 14"
- 178 Accessory pack (parts for control unit)

*1 Only applies to DHW "Combi" model.



VITODENS 200

WB2 Series	WB2 11-44 WB20551	WB2 15-60 WB20552	
General Info	Price List Section:	2.5	
	Parts Catalog Section:	10	
	Series Name:	Vitodens 200 WB2 (8/2005 - 6/2009)	
	Applies to serials nos. beginning with:	7188578...	7188577...
	Accurate as of:	07/01/2012	

Parts List

Please refer to: Parts List

Pos. Description Part Numbers / Price Categories

001	Profile Gasket	7817 676 ⁹	7817 676 ⁹		
004	Oper. Instr./User's Info WB2	5167 475 ^L	5167 475 ^L		
005	Start-Up/Instal. Instr. WB2-44/60 v2	5285 961 ^L	5285 961 ^L		
006	Parts List	5285 975 ^L	5285 975 ^L		
007	Install. Instr. WB2-44/60 v2	5285 960 ^L	5285 960 ^L		
008	Front Panel	7823 470 ²⁷	7823 470 ²⁷		
010	Wall-Mount Bracket	7183 117 ⁷	7183 117 ⁷		
011 W	Fuse 6.3 Amp (Pack 10)	7404 365 ⁶	7404 365 ⁶		
013	Programming Unit, Comfortrol EN/FR	7133 383 ³⁹	7133 383 ³⁹		
015	Ball Valve, 1/2" w Handle	7814 863 ⁸	7814 863 ⁸		
016	Air Vent wo Shut-off, R 3/8" Type 62	7819 971 ⁷	7819 971 ⁷		
017	Matrix Burner Assly	7134 610 ⁷³	7134 611 ⁷³		
018	Matrix Burner Mesh	7817 696 ³⁹	7817 696 ³⁹		
019 W	Electronics Box, RLS154	7134 272 ³⁹	7134 272 ³⁹		
020	Radial Fan, RLS154 (wo electr)	7831 027 ³⁸	7831 028 ³⁸		
021 W	Burner Ctrl, LGM29.55	7134 268 ³⁶	7134 268 ³⁶		
022 W	Circuit Board, VR20	7134 328 ²⁹	7134 328 ²⁹		
023	Wiring Harness, X 14	7818 177 ⁹	7818 177 ⁹		
024	Wiring Harness, X 11	7818 281 ⁸	7818 281 ⁸		
025	Hood (Internal) f Ctrl Unit	7818 282 ⁶	7818 282 ⁶		
026 W	Ignition Electrode	7818 363 ¹¹	7818 363 ¹¹		
027 W	Ionization Electrode	7818 364 ⁹	7818 364 ⁹		
028	Flex Gas Pipe, 90x1.5x1.5cm	7826 155 ^{Net x}	7826 155 ^{Net x}	net pricing	
030 *1	Conv. Kit NG	7818 370 ⁶	7818 371 ⁶		
032 *1	Conv. Kit LP	7818 374 ⁶	7818 375 ⁶		
033	Harness f Pump Output	7818 377 ⁸	7818 377 ⁸		
034	Wiring Harness, X 13	7818 379 ¹¹	7818 379 ¹¹		
035	Circuit Board, Connection Box	7818 380 ¹⁷	7818 380 ¹⁷		
037 *2	Vent Pipe Adaptor	7823 287 ¹⁷	7823 287 ¹⁷		
039	Base Panel	7817 680 ⁹	7817 680 ⁹		
040	Cover Panel	7817 681 ¹⁹	7817 681 ¹⁹		
041	Gasket DN110	7817 688 ⁵	7817 688 ⁵		
043	Connecting Pipe Ext. (Return)	7817 682 ¹⁰	7817 682 ¹⁰		
044	Flow Sensor	7817 683 ¹⁸	7817 683 ¹⁸		
045	Seal, D = 150mm	7818 559 ⁹	7818 559 ⁹		
046	Nameplate (Set) Vitodens 200	7818 560 ⁵	7818 560 ⁵		
047	Seal, D = 100mm	7818 681 ⁷	7818 681 ⁷		
048	Press. Gage (PSI)	7835 884 ⁸	7835 884 ⁸		
049	Heat Conductive Paste	7819 193 ³	7819 193 ³		
050	Condensate Hose	7818 021 ⁶	7818 021 ⁶		
051	Touch-UP Paint Stk Pure WHT	7819 490 ¹⁰	7819 490 ¹⁰		
052	Touch-UP Spray Paint, Pure WHT	7819 491 ¹⁵	7819 491 ¹⁵		
053 *3	Pr.Rel Valve, 3/4" (FF) 30PSI	9542 940 ⁸	9542 940 ⁸		
053 *3	Pr.Rel Valve, 3/4 x 3/4" 45PSI	9549 944 ¹¹	9549 944 ¹¹		
054	Lubricating Grease (6g)	7819 602 ⁵	7819 602 ⁵		continued

VITODENS 200

WB2 Series	WB2 11-44 WB20551	WB2 15-60 WB20552	
General Info	Price List Section:	2.5	
	Parts Catalog Section:	10	
	Series Name:	Vitodens 200 WB2 (8/2005 - 6/2009)	
	Applies to serials nos. beginning with:	7188578...	7188577...
	Accurate as of:	07/01/2012	

Parts List

Please refer to: Parts List

Pos. Description Part Numbers / Price Categories

055 W	Differential Press. Sensor	7822 897 ¹⁵	7822 897 ¹⁵		
056 W	Gas Valve wo Orifice	7134 747 ²⁹	7134 747 ²⁹		
056 b	Adaptor f Pr.Sensor DDT 401	7827 559 ¹³	7827 559 ¹³		
057	Sealing Grommet	7819 745 ⁴	7819 745 ⁴		
058	Spring Clip (Set)	7817 684 ⁵	7817 684 ⁵		
059	P-Trap	7817 685 ⁸	7817 685 ⁸		
060	Cover (Flip-Down)	7819 772 ¹²	7819 772 ¹²		
061	Access. Pack (Fr.Panel Hardw.)	7819 773 ⁸	7819 773 ⁸		
062	Transformer, 230v	7819 838 ¹⁷	7819 838 ¹⁷		
063	Press. Gage Insert	7819 942 ⁵	7819 942 ⁵		
064	Connection Module Cover	n.a. ^{n.a.}	n.a. ^{n.a.}		
065	Connection Module	7819 906 ⁹	7819 906 ⁹		
066	Switch (pair, reset/override)	7819 923 ⁷	7819 923 ⁷		
068	Jumper Plug, Ionization	7819 925 ⁵	7819 925 ⁵		
070	Cover (blank)	7819 932 ⁴	7819 932 ⁴		
071	Mounting Bracket	7820 043 ⁷	7820 043 ⁷		
072	Cable Entry Strip	7819 935 ⁶	7819 935 ⁶		
073	Cable Entry Cover	7819 936 ⁵	7819 936 ⁵		
074	Cover (Poti)	7819 937 ³	7819 937 ³		
075	Circuit Board, Cover, VR20	7819 938 ⁴	7819 938 ⁴		
076	Cable Entry Plug (pair)	7819 939 ³	7819 939 ³		
077	Counter Plug (Set)	7819 940 ¹⁰	7819 940 ¹⁰		
078	Access. Pack (Ctrl Unit)	7819 941 ⁴	7819 941 ⁴		
079	Mounting Plate	7819 943 ⁵	7819 943 ⁵		
080	Ctrl Console (Empty)	7819 944 ¹⁰	7819 944 ¹⁰		
081	Switch (On/Off) (Mech.only-no switch)	7819 945 ⁴	7819 945 ⁴		
082	Flat Cable, 26-Pole	7819 946 ⁷	7819 946 ⁷		
084	Circuit Board, Adaptor	7819 950 ⁹	7819 950 ⁹		
085	Circuit Board, Optolink WB2	7818 141 ¹⁰	7818 141 ¹⁰		
086	Fixed High Limit, 210F/99C	7825 487 ¹⁴	7825 487 ¹⁴		
087 W	Sensor (temperature)	7819 967 ¹⁴	7819 967 ¹⁴		
088	Ignition Transformer	7834 490 ¹⁶	7834 490 ¹⁶		
089	Cap f Vent Pipe Adaptor	7822 742 ⁶	7822 742 ⁶		
090 W	Gasket (Set)	7817 686 ⁸	7817 686 ⁸		
092	Wiring Harness, X 12	7816 503 ⁸	7816 503 ⁸		
093	Heat Exchanger Assly, WB2-44/60 b ASME	7823 434 ⁹⁵	7823 434 ⁹⁵		
094	Insulating Ring	7828 347 ¹²	7828 347 ¹²		
095	Access. Pack (Burner Parts)	7826 149 ¹⁰	7826 149 ¹⁰		
096	Burner Gasket (Secondary)	7817 698 ⁹	7817 698 ⁹		
097	Access. Pack (Encl.Hardw 10pk)	7818 437 ⁹	7818 437 ⁹		
100	Burner Gasket	7817 692 ¹⁷	7817 692 ¹⁷		
120	Burner Gasket (Primary)	7817 746 ⁸	7817 746 ⁸		
167	Wiring Harness, Ion/Pe	7818 932 ⁸	7818 932 ⁸		
200	Fastening Bracket (10 Pack)	7818 063 ⁶	7818 063 ⁶		
201 W	Sensor #1 (Outdoor)	7820 148 ¹⁹	7820 148 ¹⁹		continued

VITODENS 200

WB2 Series	WB2 11-44 WB20551	WB2 15-60 WB20552	
-------------------	-----------------------------	-----------------------------	--

General Info	Price List Section:	2.5
	Parts Catalog Section:	10
	Series Name:	Vitodens 200 WB2 (8/2005 - 6/2009)
	Applies to serials nos. beginning with:	7188578... 7188577...
	Accurate as of:	07/01/2012

Parts List

Please refer to: Parts List

Pos. Description Part Numbers / Price Categories

202	Power/Pump Ctrl Module	7134 208 ⁵⁴	7134 208 ⁵⁴		
202 b	Circuit Board, PumpCtrlMod WB2	7374 160 ³¹	7374 160 ³¹		
203 W	Gasket, Assortment 1/2", 3/4"	7820 128 ⁵	7820 128 ⁵		
204 W	Maintenance Kit	7819 763 ¹⁰	7819 763 ¹⁰		
205	Cap G 3/4 SW30	9617 326 ^D	9617 326 ^D		
210	Flow Check Valve DN25	7341 071 ¹⁴	7341 071 ¹⁴		
305	Drain Valve Kit, 3/4"	7134 427 ^D	7134 427 ^D		
306	Power Conditioner, M4-EX	9560 995 ^{Net x}	9560 995 ^{Net x}	net pricing	
307	Access. Pack (Strain Reliefs)	7147 866 ⁹	7147 866 ⁹		
400	Service Tool Set Vitodens 200	9537 070 ^{Net x}	9537 070 ^{Net x}	net pricing	
307	Access. Pack (Strain Reliefs)	7404 578 ⁴	7404 578 ⁴		
308	Flex Gas Pipe, 90x1.5x1.5cm	7826 155 ^{Net x}	7826 155 ^{Net x}	net pricing	
310 ^{*5}	Sensor #5 (DHW) WB2 *** DHW Only ***	7134 239 ²⁰	7134 239 ²⁰		

Conversion Kits

	NG > LP	7134 248 ¹⁰	7134 249 ¹⁰		
	LP > NG	7134 252 ¹⁰	7134 253 ¹⁰		

Notes:

*2 WARNING: Never substitute with 7818536 vent pipe adaptor.

*3 IMPORTANT 30 psi pressure relief valve is standard equipment shipped with boiler; 45 psi valve is optional equipment.

*5 IMPORTANT: Only for units equipped with DHW Production Kit.

"n.a." indicates not applicable.

"W" indicates wearing part (service).

"L" indicates literature (no charge).

"Kit" or "Other" indicates that this is not a Price Category item; contact Inside Sales for pricing.

"D" indicates discontinued.

Parts List

VIESSMANN

VITODENS 200

Model No. Serial No. *1
 WB2 11-44 7188578□□□□□□□□□□
 WB2 15-60 7188577□□□□□□□□□□

Ordering Replacement Parts:
 Please provide boiler Model and Serial Number from rating plate when ordering replacement parts. Order replacement components from your Viessmann distributor.

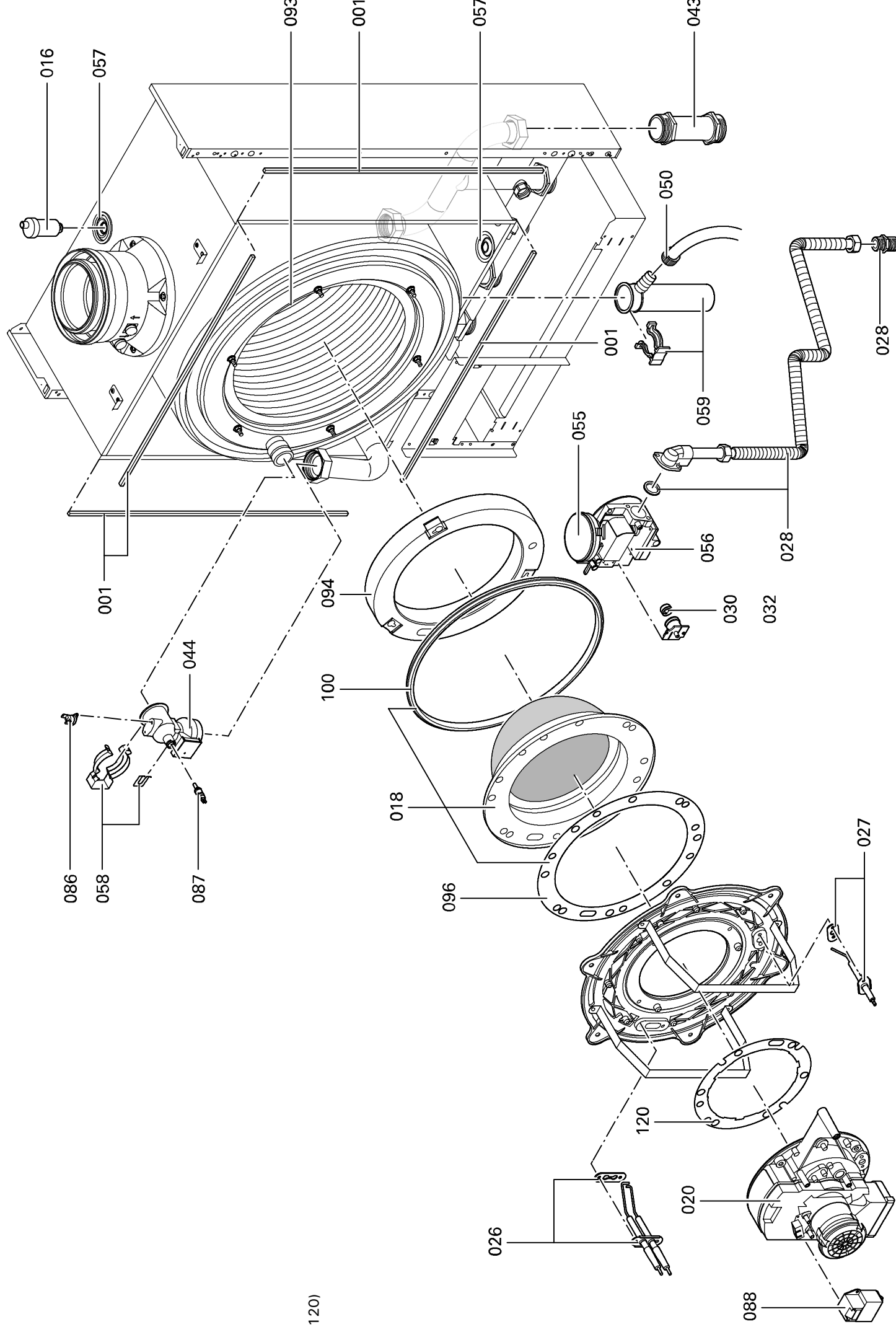
Parts

- 001 Profile gasket
- 016 Air vent without shut-off, R 3/8"
- 017 Matrix burner assembly (with Pos. 018, 026, 027, 056, 088, 094, 096, 100 and 120)
- 018 Matrix burner mesh (with Pos. 096 and 100)
- 020 Radial fan, RLS154 (without electrode)
- 026 Ignition electrode
- 027 Ionization electrode
- 028 Flex gas pipe, 90x1 1/2 x 1 1/2 cm
- 030 Conversion kit NG
- 032 Conversion kit LP
- 043 Connecting pipe extension (return)
- 044 Flow sensor
- 050 Condensate hose
- 055 Differential pressure sensor
- 056 Gas valve without orifice
- 057 Sealing grommet
- 058 Spring clip (set)
- 059 P-trap
- 086 Fixed high limit, 210°F / 99°C
- 087 Temperature sensor (with Pos. 049)
- 088 Ignition transformer
- 093 Heat exchanger assembly ASME
- 094 Insulating ring
- 096 Burner gasket (secondary)
- 100 Burner gasket (primary)
- 120 Burner gasket (primary)

Other Parts (not illustrated)

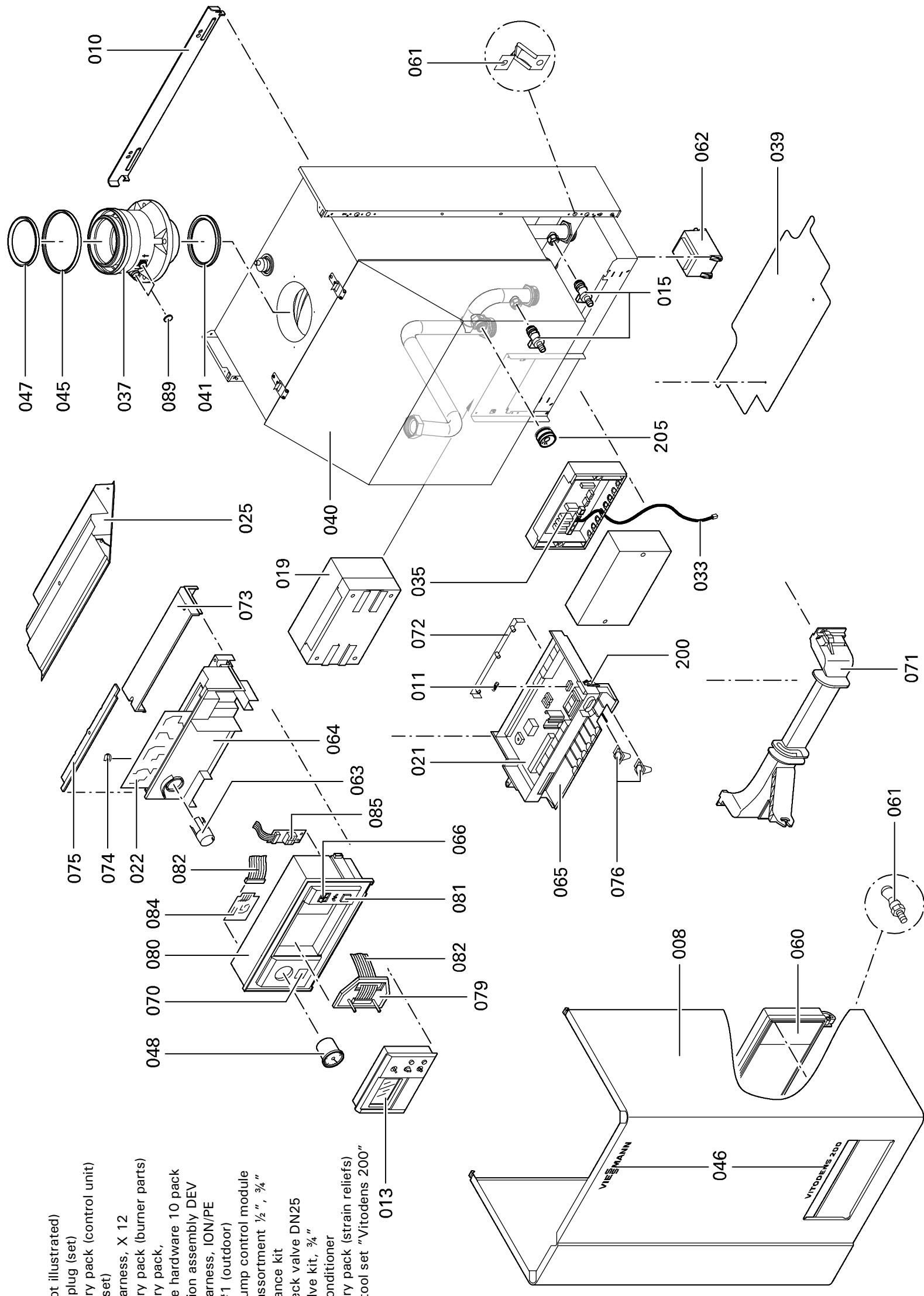
- 004 Operating Instructions and User's Information Manual
- 005 Start-up Instructions
- 006 Parts List
- 007 Installation Instructions
- 049 Heat conductive paste

*1 A 16-digit bar-coded serial no. is located on the cover panel assembly, on the left side.



- Parts**
- 008 Front panel (with Pos. 046, 060 and 061)
 - 010 Wall-mount bracket
 - 011 Fuse 6.3 amp (10 pack)
 - 013 Comfortrol programming unit
 - 015 Ball valve, 1/2" with handle
 - 019 Electronics box, RLS154
 - 021 Burner control, LGM29.55
 - 022 Circuit board, VR20
 - 025 Hood (internal) for control unit
 - 033 Harness for pump output
 - 035 Circuit board, connection box
 - 037 Vent pipe adaptor
 - 039 Base panel
 - 040 Cover panel
 - 041 Gasket DN110
 - 045 Seal d = 150mm
 - 046 Nameplate (set) "Vitodens 200"
 - 047 Seal d = 100mm
 - 048 Pressure gage (psi)
 - 060 Cover (flip-down)
 - 061 Accessory pack, front panel hardware
 - 062 Transformer 230V
 - 063 Pressure gage insert
 - 064 Connection module cover
 - 065 Connection module
 - 066 Switch (pair, Reset/Override)
 - 070 Cover (blank)
 - 071 Mounting bracket
 - 072 Cable entry strip
 - 073 Cable entry cover
 - 074 Cover (poti)
 - 075 Circuit board cover for VR20
 - 076 Cable entry plug (pair)
 - 079 Mounting plate
 - 080 Control console (empty)
 - 081 Switch (on/off) (mechanism only-no switch)
 - 082 Flat cable, 26-pole
 - 084 Circuit board, adaptor
 - 085 Circuit board, Optolink
 - 089 Cap for vent pipe adaptor
 - 200 Fastening bracket (10 pack)
 - 205 Cap G 3/4 SW30

- Other Parts (not illustrated)**
- 077 Counter plug (set)
 - 078 Accessory pack (control unit)
 - 090 Gasket (set)
 - 092 Wiring harness, X 12
 - 095 Accessory pack (burner parts)
 - 097 Accessory pack, enclosure hardware 10 pack
 - 099 Connection assembly DEV
 - 167 Wiring harness, ION/PE
 - 201 Sensor #1 (outdoor)
 - 202 Power/pump control module
 - 203 Gasket assortment 1/2", 3/4"
 - 204 Maintenance kit
 - 210 Flow check valve DN25
 - 305 Drain valve kit, 3/4"
 - 306 Power conditioner
 - 307 Accessory pack (strain reliefs)
 - 400 Service tool set "Vitodens 200"



- Other Parts (not illustrated)**
- 023 Wiring harness, X 14
 - 024 Wiring harness, X 11
 - 034 Wiring harness, X 13
 - 051 Touch-up paint stick, pure white
 - 052 Touch-up spray paint, pure white
 - 053 Pressure relief valve
 - 054 Lubricating grease (6g)
 - 068 Jumper plug, ionization

VITODENS 200

WB2 Series	WB2 11-44 WB20456 WB20460	WB2 15-60 WB20457 WB20461	
-------------------	--	--	--

General Info	Price List / Product Cat. Section: 2.5
	Series Name: Vitodens 200 WB2 (6/2002 - 8/2005)
	Applies to serial nos. beginning with: 7167066..., 7167067...
	Accurate as of: 07/01/2012

Parts List

Please refer to: Parts List
Pos. Description

Part Numbers / Price Categories

Pos.	Description	Part Numbers / Price Categories		
001	Profile Gasket (Top/Bottom)	7818 022 ⁷	7818 022 ⁷	
004	Oper. Instr./User's Info	5167 475 ^L	5167 475 ^L	
005	Start-Up/Instal. Instr. WB2-44/60	5285 269 ^L	5285 269 ^L	
006	Parts List WB2-44/60	5285 281 ^L	5285 281 ^L	
007	Install. Instr. WB2-44/60	5285 267 ^L	5285 267 ^L	
008	Front Panel	7823 470 ²⁷	7823 470 ²⁷	
009	Extension Pipe (c/w Airvnt,Gskt)	7382 081 ¹⁸	7382 081 ¹⁸	
010	Wall-Mount Bracket	7382 237 ¹⁰	7382 237 ¹⁰	
011 W	Fuse, 6.3a/250v (Pkg of 10)	7404 365 ⁶	7404 365 ⁶	
012	Adaptor Tee, G1" - R3/4" w Gasket	7818 006 ⁹	7818 006 ⁹	
013	Comfortrol Programming Unit	7133 383 ³⁹	7133 383 ³⁹	
014	Air Bleed Cap, 1/2"	7815 662 ⁴	7815 662 ⁴	
015	Ball Valve, 1/2" w Handle	7814 863 ⁸	7814 863 ⁸	
016	Air Vent w Shut-off Base	7819 971 ⁷	7819 971 ⁷	
017	Matrix Burner Assly	7134 390 ⁷³	7134 391 ⁷³	
018	Matrix Burner Mesh	7817 696 ³⁹	7817 696 ³⁹	
019 W	Electronics Box, RLS154	7134 272 ³⁹	7134 272 ³⁹	
020	Radial Fan, RLs154	7831 027 ³⁸	7831 028 ³⁸	
021 W	Burner Ctrl, LGM29.55	7134 268 ³⁶	7134 268 ³⁶	
022 W	Circuit Board, VR20	7134 328 ²⁹	7134 328 ²⁹	
023	Wiring Harness, X 14	7818 177 ⁹	7818 177 ⁹	
024	Wiring Harness, X 11	7818 281 ⁸	7818 281 ⁸	
025	Hood (Internal) f Ctrl Unit	7818 282 ⁶	7818 282 ⁶	
026 W	Ignition Electrode	7818 363 ¹¹	7818 363 ¹¹	
027 W	Ionization Electrode	7818 364 ⁹	7818 364 ⁹	
028	Gas Connection Hose	7818 368 ¹⁸	7818 368 ¹⁸	
029	Burner Mounting Flange	7818 369 ²⁷	7818 369 ²⁷	
030 *1	Orifice, Ng	7818 370 ⁶	7818 371 ⁶	
032 *1	Orifice, Lp	7818 374 ⁶	7818 375 ⁶	
033	Harness f Expansion	7818 377 ⁸	7818 377 ⁸	
034	Wiring Harness, X 13	7818 379 ¹¹	7818 379 ¹¹	
035	Circuit Board, Connection Box	7818 380 ¹⁷	7818 380 ¹⁷	
036	Connecting Pipe (Supply)	7818 535 ³⁸	7818 535 ³⁸	
037	Vent Pipe Adaptor	7823 287 ¹⁷	7823 287 ¹⁷	
038	Profile Gasket (Left/Right)	7818 539 ⁶	7818 539 ⁶	
039	Base Panel	7818 541 ¹⁵	7818 541 ¹⁵	
040	Cover Panel	7818 543 ²¹	7818 543 ²¹	
041	Connecting Pipe (Return)	7818 544 ¹⁸	7818 544 ¹⁸	
042	Gasket	7818 545 ¹⁰	7818 545 ¹⁰	
043	Connecting Pipe Ext. (Return)	7818 546 ¹⁶	7818 546 ¹⁶	
044	Flow Sensor	7818 547 ¹⁴	7818 547 ¹⁴	
045	Seal, D = 150mm	7818 559 ⁹	7818 559 ⁹	
046	Nameplate (Set) Vitodens 200	7818 560 ⁵	7818 560 ⁵	
047	Seal, D = 100mm	7818 681 ⁷	7818 681 ⁷	continued

VITODENS 200

WB2 Series	WB2 11-44 WB20456 WB20460	WB2 15-60 WB20457 WB20461	
-------------------	--	--	--

General Info Price List / Product Cat. Section: 2.5
 Series Name: Vitodens 200 WB2 (6/2002 - 8/2005)
 Applies to serial nos. beginning with: 7167066..., 7167067...
 Accurate as of: 07/01/2012

Parts List

Please refer to: Parts List
 Pos. Description

Part Numbers / Price Categories

Pos.	Description	Part Numbers	Price Categories	
048	Press. Gage (PSI)	7817 535 ⁸	7817 535 ⁸	
049	Heat Conductive Paste	7819 193 ³	7819 193 ³	
050	Condensate Hose	7819 385 ⁵	7819 385 ⁵	
051	Touch-UP Paint Stk Pure WHT	7819 490 ¹⁰	7819 490 ¹⁰	
052	Touch-UP Spray Paint, Pure WHT	7819 491 ¹⁵	7819 491 ¹⁵	
053 ^{*2}	Pr.Rel Valve, 3/4" (FF) 30PSI	9542 940 ⁸	9542 940 ⁸	
053 ^{*2}	Pr.Rel Valve, 3/4 x 3/4" 45PSI	9549 944 ¹¹	9549 944 ¹¹	
054	Lubricating Grease (6g)	7819 602 ⁵	7819 602 ⁵	
055 W	Differential Press. Sensor	7822 897 ¹⁵	7822 897 ¹⁵	
056 W	Gas Valve Wo Orifice	7134 747 ²⁹	7134 747 ²⁹	
056 b	Adaptor f Pr.Sensor DDT 401	7827 559 ¹³	7827 559 ¹³	
057	Bushing	7819 745 ⁴	7819 745 ⁴	
058	Spring Clip (Set)	7819 757 ⁸	7819 757 ⁸	
059	P-Trap	7819 759 ⁸	7819 759 ⁸	
060	Cover (Flip-Down)	7819 772 ¹²	7819 772 ¹²	
061	Access. Pack (Fr.Panel Hardw.)	7819 773 ⁸	7819 773 ⁸	
062	Transformer, 230v	7819 838 ¹⁷	7819 838 ¹⁷	
063	Press. Gage Insert	7819 942 ⁵	7819 942 ⁵	
064	Connection Module Cover	n.a. ^{n.a.}	n.a. ^{n.a.}	
065	Connection Module	7819 906 ⁹	7819 906 ⁹	
066	Switch (Rocker Pair)	7819 923 ⁷	7819 923 ⁷	
067	Ionization Cable	7819 924 ⁸	7819 924 ⁸	
068	Jumper Plug, Ionization	7819 925 ⁵	7819 925 ⁵	
069	Steel Nipple, 3/4" Male NPT-Male BSPT	9560 790 ⁶	9560 790 ⁶	
070	Cover (Cable Guide Blind)	7819 932 ⁴	7819 932 ⁴	
071	Mounting Bracket	7820 043 ⁷	7820 043 ⁷	
072	Cable Entry Strip	7819 935 ⁶	7819 935 ⁶	
073	Cable Entry Cover	7819 936 ⁵	7819 936 ⁵	
074	Cover (Poti)	7819 937 ³	7819 937 ³	
075	Circuit Board, Cover, VR20	7819 938 ⁴	7819 938 ⁴	
076	Cable Entry Plug	7819 939 ³	7819 939 ³	
077	Counter Plug (Set)	7819 940 ¹⁰	7819 940 ¹⁰	
078	Access. Pack (Ctrl Unit)	7819 941 ⁴	7819 941 ⁴	
079	Mounting Plate	7819 943 ⁵	7819 943 ⁵	
080	Ctrl Console (Empty)	7819 944 ¹⁰	7819 944 ¹⁰	
081	Switch (On/Off) - Mechanism only, no switch	7819 945 ⁴	7819 945 ⁴	
082	Flat Cable, 26-Pole	7819 946 ⁷	7819 946 ⁷	
084	Circuit Board, Adaptor	7819 950 ⁹	7819 950 ⁹	
085	Circuit Board, Optolink	7818 141 ¹⁰	7818 141 ¹⁰	
086	Fixed High Limit, 212F/100C	7825 487 ¹⁴	7825 487 ¹⁴	
087 W	Sensor (temperature)	7819 967 ¹⁴	7819 967 ¹⁴	
088	Ignition Transformer	7834 490 ¹⁶	7834 490 ¹⁶	
089	Test Port Plug (Set Of 2)	9521 790 ⁶	9521 790 ⁶	
090 W	Gasket, (Set)	7818 051 ⁷	7818 051 ⁷	continued

VITODENS 200

WB2 Series	WB2 11-44 WB20456 WB20460	WB2 15-60 WB20457 WB20461	
-------------------	--	--	--

General Info	Price List / Product Cat. Section: 2.5
	Series Name: Vitodens 200 WB2 (6/2002 - 8/2005)
	Applies to serial nos. beginning with: 7167066..., 7167067...
	Accurate as of: 07/01/2012

Parts List

Please refer to: Parts List
Pos. Description

Part Numbers / Price Categories

091	Supply Piping	7820 896 ³⁹	7820 896 ³⁹		
092	Wiring Harness, X 12	7816 503 ⁸	7816 503 ⁸		
093	Heat Exchanger Assly, ASME	7823 021 ⁹⁵	7823 021 ⁹⁵		
094	Cap, 3/4"	n.a. ^{n.a.}	n.a. ^{n.a.}		
095	Gasket, 1"	9507 909 ²	9507 909 ²		
100	O-Ring, 316mm I.D.	7817 185 ⁸	7817 185 ⁸		
120	Burner Gasket (Primary)	7817 746 ⁸	7817 746 ⁸		
121	Burner Gasket (Secondary)	7817 698 ⁹	7817 698 ⁹		
167	Wiring Harness, Ion/Pe	7818 575 ⁸	7818 575 ⁸		
200	Fastening Bracket (10 Pack)	7818 063 ⁶	7818 063 ⁶		
201 W	Sensor #1 (Outdoor)	7820 148 ¹⁹	7820 148 ¹⁹		
202	Power/Pump Ctrl Module	7134 208 ⁵⁴	7134 208 ⁵⁴		
202 b	Circuit Board, PumpCtrlMod WB2	7374 160 ³¹	7374 160 ³¹		
203 W	Gasket, Assortment 1/2", 3/4"	7820 128 ⁵	7820 128 ⁵		
204 W	Maintenance Kit	7819 763 ¹⁰	7819 763 ¹⁰		
305	Drain Valve Kit, 3/4"	7134 427 ^D	7134 427 ^D		
306	Power Conditioner, M4-EX	9560 995 ^{Net x}	9560 995 ^{Net x}	net pricing	
307	Access. Pack (Strain Reliefs)	7404 578 ⁴	7404 578 ⁴		
308	Conv. Kit NG S.S. Flex Pipe	7826 158 ^{Net x}	7826 158 ^{Net x}	net pricing	
310 *4	Sensor #5 (DHW) WB2 *** DHW Only ***	7134 239 ²⁰	7134 239 ²⁰		

Conversion Kits

	NG > LP	7134 248 ¹⁰	7134 249 ¹⁰		
	LP > NG	7134 252 ¹⁰	7134 253 ¹⁰		

Notes:

*2 IMPORTANT: 30 psi pressure relief valve is standard equipment shipped with boiler; 45 psi valve is optional equipment.

*4 IMPORTANT: Only for units equipped with DHW Production Kit.

"n.a." indicates not applicable.

"W" indicates wearing part (service).

"L" indicates literature (no charge).

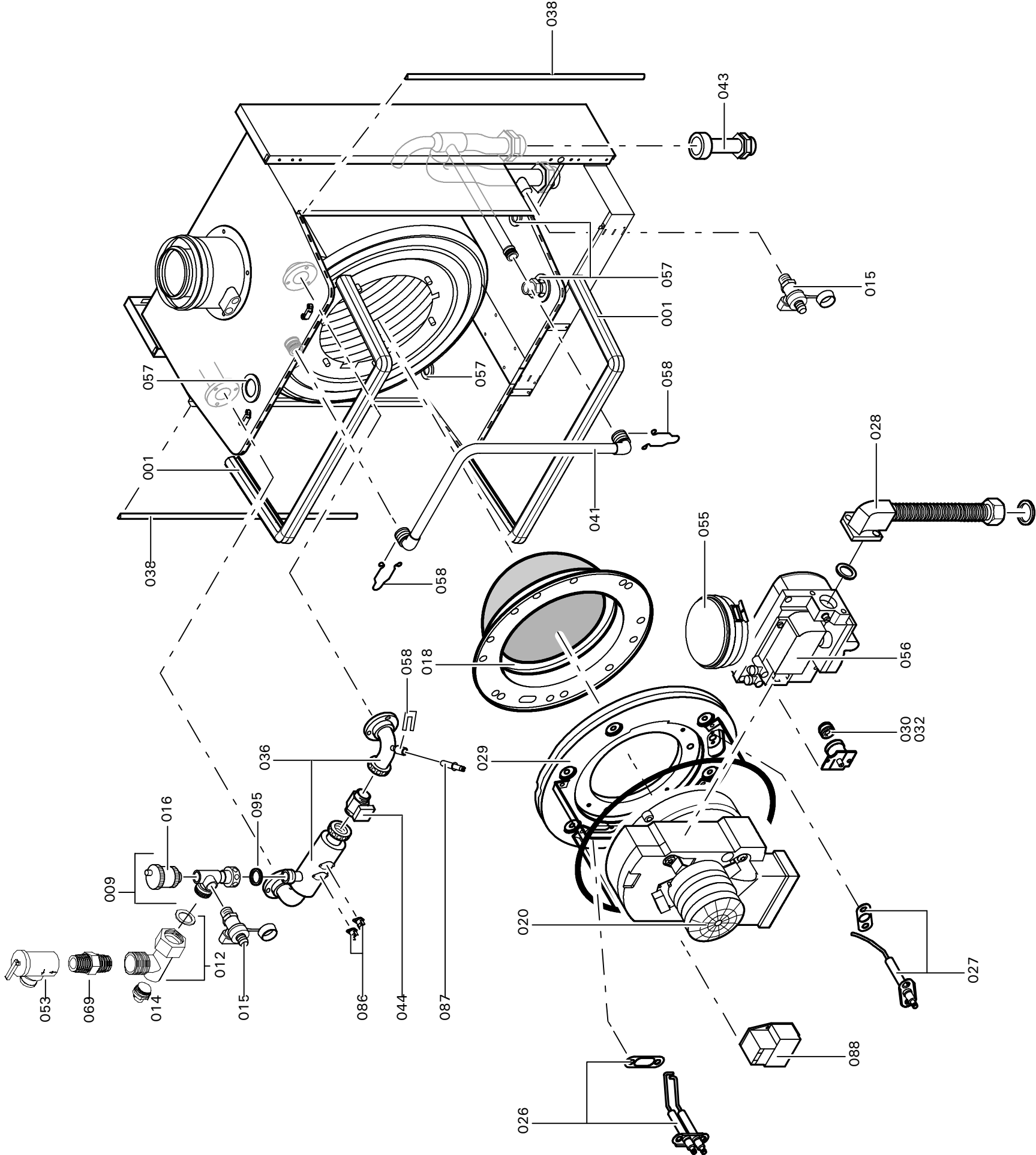
"Kit" or "Other" indicates that this is not a Price Category item; contact Inside Sales for pricing.

VITODENS 200

Model No.	Serial No. *1
WB2 11-44	7167066□□□□□□□□□□
WB2 15-60	7167067□□□□□□□□□□

Ordering Replacement Parts:
Please provide boiler Model and Serial Number from rating plate when ordering replacement parts. Order replacement components from your Viessmann distributor.

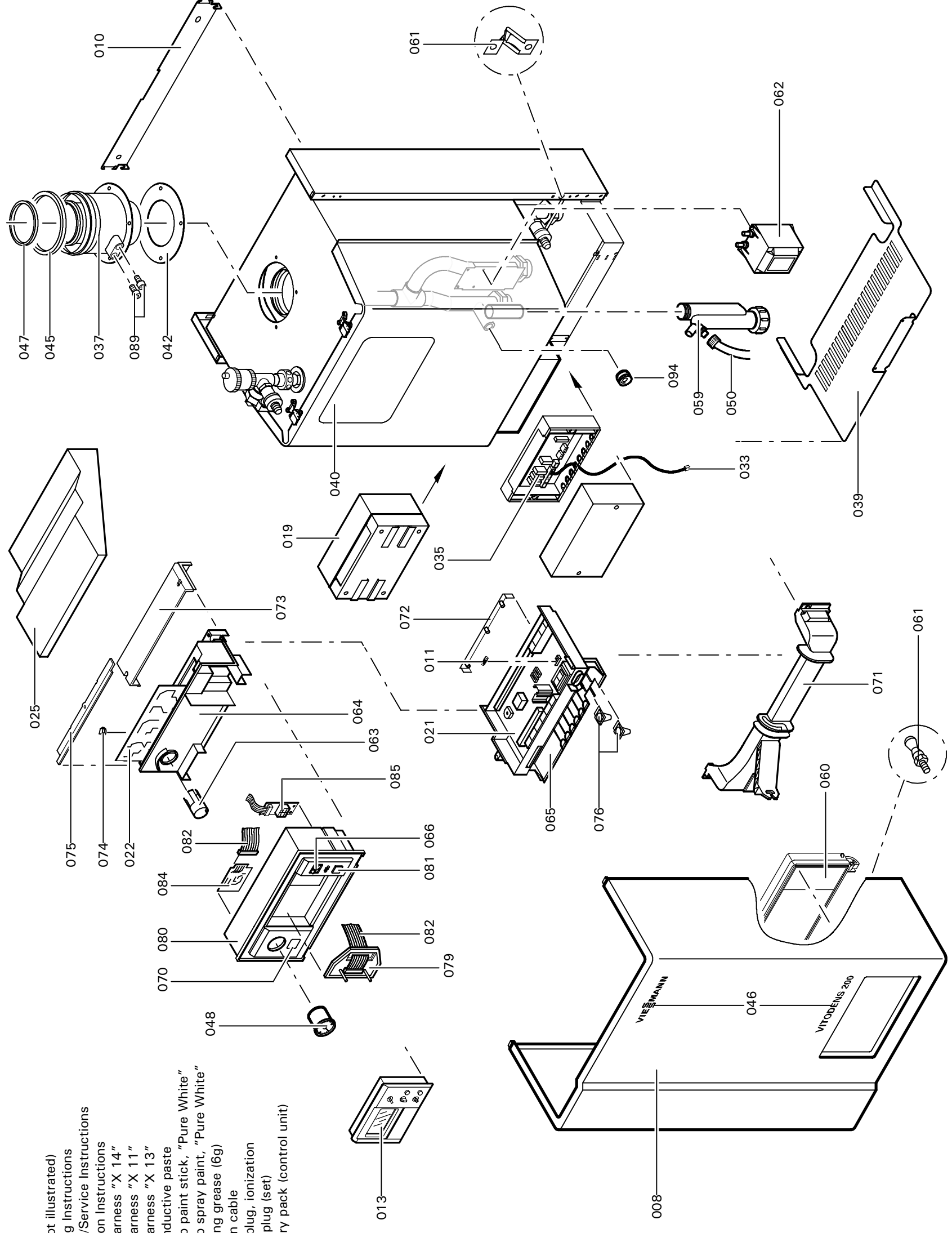
- Parts**
- 001 Profile gasket (top/bottom)
 - 009 Extension pipe
 - 012 Adaptor tee with gasket
 - 014 Air bleed cap
 - 015 Ball valve 1/2" with handle
 - 016 Automatic air vent
 - 017 Burner assembly (with Pos. 018, 020, 026, 027, 029, 055, and 088)
 - 018 Matrix burner assembly
 - 020 Radial fan, RLS154
 - 026 Ignition electrode
 - 027 Ionization electrode
 - 028 Gas connection hose
 - 029 Burner mounting flange
 - 030 Orifice, NG
 - 032 Orifice, LP
 - 036 Connecting pipe (supply)
 - 038 Profile gasket (left/right)
 - 041 Connecting pipe (return)
 - 043 Connecting pipe extension (return)
 - 044 Flow sensor
 - 053 Pressure relief valve, 3/4"
 - 055 Differential pressure sensor
 - 056 Gas valve (w.o. orifice)
 - 057 Rubber grommet
 - 058 Spring clip (set)
 - 069 Steel nipple, 3/4"
 - 086 Fixed high limit switch, 212 °F / 100 °C
 - 087 Temperature sensor (with Pos. 049)
 - 088 Ignition module
 - 095 Gasket, 1"
- Other Parts (not illustrated)**
- 049 Heat conductive paste



*1 A 16-digit bar-coded serial no. is located on the cover panel assembly, beneath the front panel.

- Parts**
- 008 Front panel
(with Pos. 046, 060 and 061)
 - 010 Wall mount bracket
 - 011 Fuse, 6.3A
 - 013 Comfortrol programming unit
 - 019 Electronics box, RLS154
 - 021 Burner control unit, LGM29
 - 022 Circuit board, VR20
 - 025 Hood for control unit
 - 033 Harness for expansion
 - 035 Circuit board, connection box
 - 037 Vent pipe adaptor
 - 039 Base panel
 - 040 Cover panel
 - 042 Gasket
 - 045 Seal, d = 150mm
 - 046 Nameplate (set)
 - 047 Seal, d = 100mm
 - 048 Pressure gage
 - 050 Condensate hose
 - 059 P-Trap
 - 060 Flip-down cover assembly
 - 061 Accessory pack (front panel hardware)
 - 062 Transformer, 230V
 - 063 Pressure gage insert
 - 064 Connection module cover
 - 065 Connection module
 - 066 Switch (rocker)
 - 070 Cover (cable guide blind)
 - 071 Mounting bracket
 - 072 Cable entry strip
 - 073 Cable entry cover
 - 074 Plug
 - 075 Circuit board cover, VR20
 - 076 Cover (cable guide blind)
 - 079 Mounting plate
 - 080 Control console
 - 081 Switch (on/off)
 - 082 Flat cable, 26-pole
 - 084 Circuit board, adaptor
 - 085 Circuit board, Optolink
 - 089 Test port plug set
 - 094 Cap, 3/4"

- Other Parts (not illustrated)**
- 004 Operating Instructions
 - 005 Start-Up/Service Instructions
 - 007 Installation Instructions
 - 023 Wiring harness "X 14"
 - 024 Wiring harness "X 11"
 - 034 Wiring harness "X 13"
 - 049 Heat conductive paste
 - 051 Touch-up paint stick, "Pure White"
 - 052 Touch-up spray paint, "Pure White"
 - 054 Lubricating grease (6g)
 - 067 Ionization cable
 - 068 Jumper plug, ionization
 - 077 Counter plug (set)
 - 078 Accessory pack (control unit)



Installation Fittings

Vitodens 200

Installation Fittings	WB2 6-24C	WB2 24/32	WB2 44/60	
------------------------------	----------------------	----------------------	----------------------	--

General Info Price List / Product Cat. Section: 2.5
 Series Name: Vitodens 200 WB2 (6/2002 - 9/2003)

Accurate as of: 07/01/2012

Parts List

Please refer to: Parts List

Pos. Description Part Numbers / Price Categories

001	Installation Fittings Bracket	5285 368 ^L	7820 134 ²⁴	n.a. ^{n.a.}	
002	Boiler Supply/Return Connects	7820 125 ¹⁹	7820 125 ¹⁹	n.a. ^{n.a.}	
003 W	Gasket, Assortment 1/2", 3/4"	7820 128 ⁵	7820 128 ⁵	n.a. ^{n.a.}	
004 W	Gasket, 32 X 44 X 2mm	n.a. ^{n.a.}	n.a. ^{n.a.}	9589 075 ¹	
005	Brass Adaptor, 1/2x4-3/8" ML BSPT FM	9560 786 ⁹	9560 786 ⁹	9560 787 ⁸	
006	DHW Supply/Return Connects	7820 126 ¹⁴	7820 130 ⁹	n.a. ^{n.a.}	
007	Boiler Fill/Drain Valve	7820 127 ¹⁰	7820 127 ¹⁰	n.a. ^{n.a.}	
008	Clips (Set)	7820 841 ¹²	7820 841 ¹²	n.a. ^{n.a.}	
009	Gas Line Support Bracket	7820 844 ⁶	7820 844 ⁶	n.a. ^{n.a.}	
010	Spring Clips (Set)	7820 118 ⁶	7820 118 ⁶	n.a. ^{n.a.}	
011	Steel Nipple, 3/4" Male NPT-Male BSPT	9560 790 ⁶	9560 790 ⁶	9560 791 ⁸	
012	Brass Adaptor, 1/2" Male BSPT-Fem.NPT	9560 785 ⁶	9560 928 ⁹	n.a. ^{n.a.}	
013	Press. Bypass Valve	7141 377 ¹⁸	7141 377 ¹⁸	n.a. ^{n.a.}	
014	Shut-Off Valve C/W Gasket (Pair)	n.a. ^{n.a.}	n.a. ^{n.a.}	7341 020 ²⁴	
015	Adaptor C/W Gasket (Pair)	n.a. ^{n.a.}	n.a. ^{n.a.}	7205 935 ¹²	
016	Loctite 565 Sealant	9560 178 ⁷	9560 178 ⁷	9560 178 ⁷	
019	Parts List Install. Fittings, WB2	5285 368 ^L	5285 368 ^L	5285 368 ^L	
020	Compression Fittings, 1/2" Pair	7820 858 ^D	n.a. ^{n.a.}	n.a. ^{n.a.}	
021	Compression Fittings, 3/4" Pair	7820 857 ¹⁵	7820 857 ¹⁵	n.a. ^{n.a.}	

Notes:

"n.a." indicates not applicable.

"W" indicates wearing part (service).

"L" indicates literature (no charge).

"Kit" or "Other" indicates that this is not a Price Category item; contact Inside Sales for pricing.

"D" indicates discontinued.

Installation Fittings Vitodens 200

Ordering Replacement Parts:

Please provide boiler Model and Serial Number from rating plate when ordering replacement parts. Order replacement components from your Viessmann distributor.

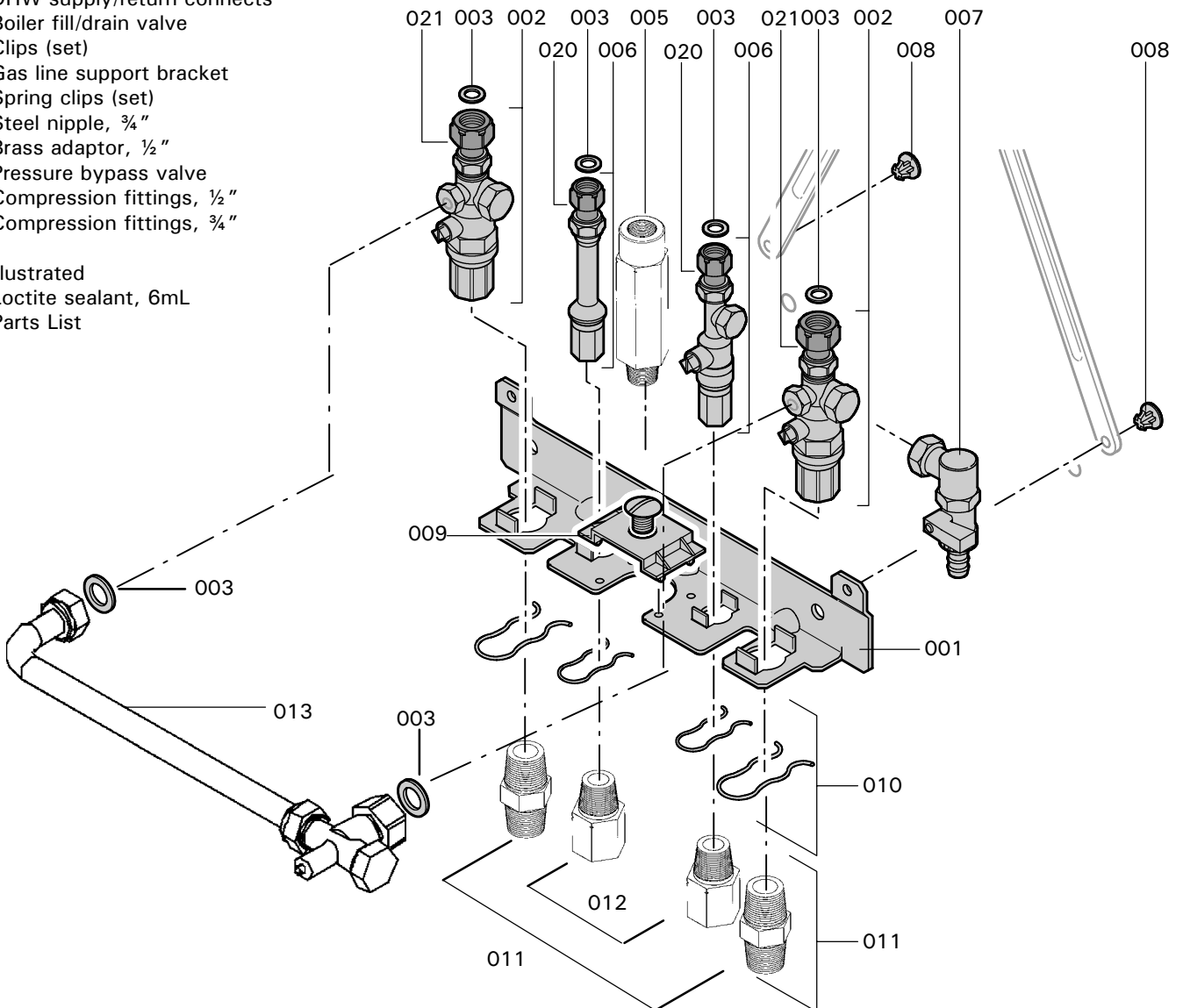
Vitodens 200, WB2 6-24 Combi

Parts

- 001 Installation fittings bracket
- 002 Boiler supply/return connects
- 003 Gasket assortment 1/2", 3/4"
- 005 Brass adaptor, 1/2 x 4-3/8"
- 006 DHW supply/return connects
- 007 Boiler fill/drain valve
- 008 Clips (set)
- 009 Gas line support bracket
- 010 Spring clips (set)
- 011 Steel nipple, 3/4"
- 012 Brass adaptor, 1/2"
- 013 Pressure bypass valve
- 020 Compression fittings, 1/2"
- 021 Compression fittings, 3/4"

Not illustrated

- 016 Loctite sealant, 6mL
- 019 Parts List



Please file in Service Binder

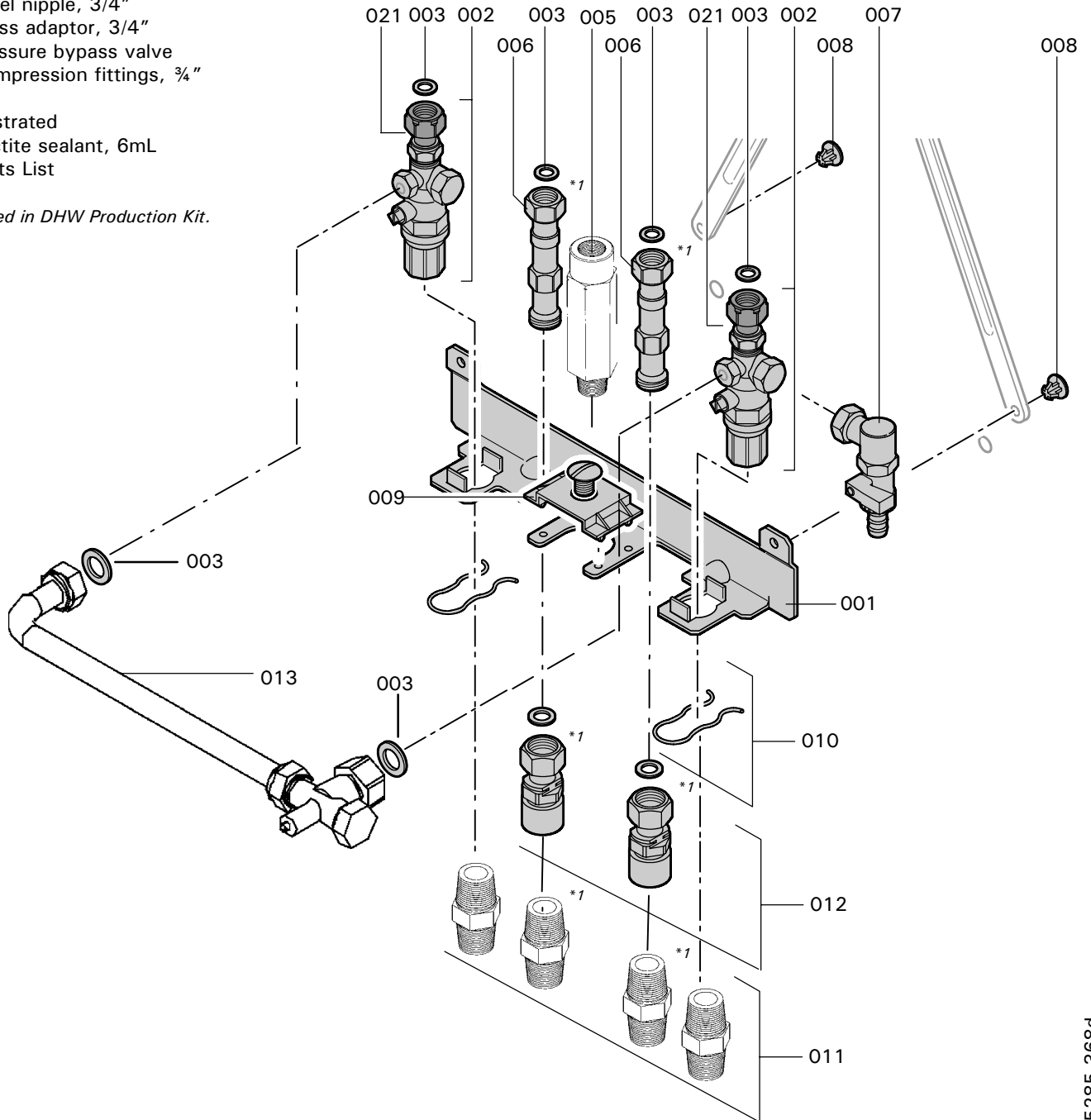
**Vitodens 200,
WB2 6-24 and WB2 8-32**

Parts

- 001 Installation fittings bracket
- 002 Boiler supply/return connects
- 003 Gasket assortment 1/2", 3/4"
- 005 Brass adaptor, 1/2 x 4-3/8"
- 006 DHW supply/return connects
- 007 Boiler fill/drain valve
- 008 Clips (set)
- 009 Gas line support bracket
- 010 Spring clips (set)
- 011 Steel nipple, 3/4"
- 012 Brass adaptor, 3/4"
- 013 Pressure bypass valve
- 021 Compression fittings, 3/4"

Not illustrated
016 Loctite sealant, 6mL
019 Parts List

**1 Included in DHW Production Kit.*



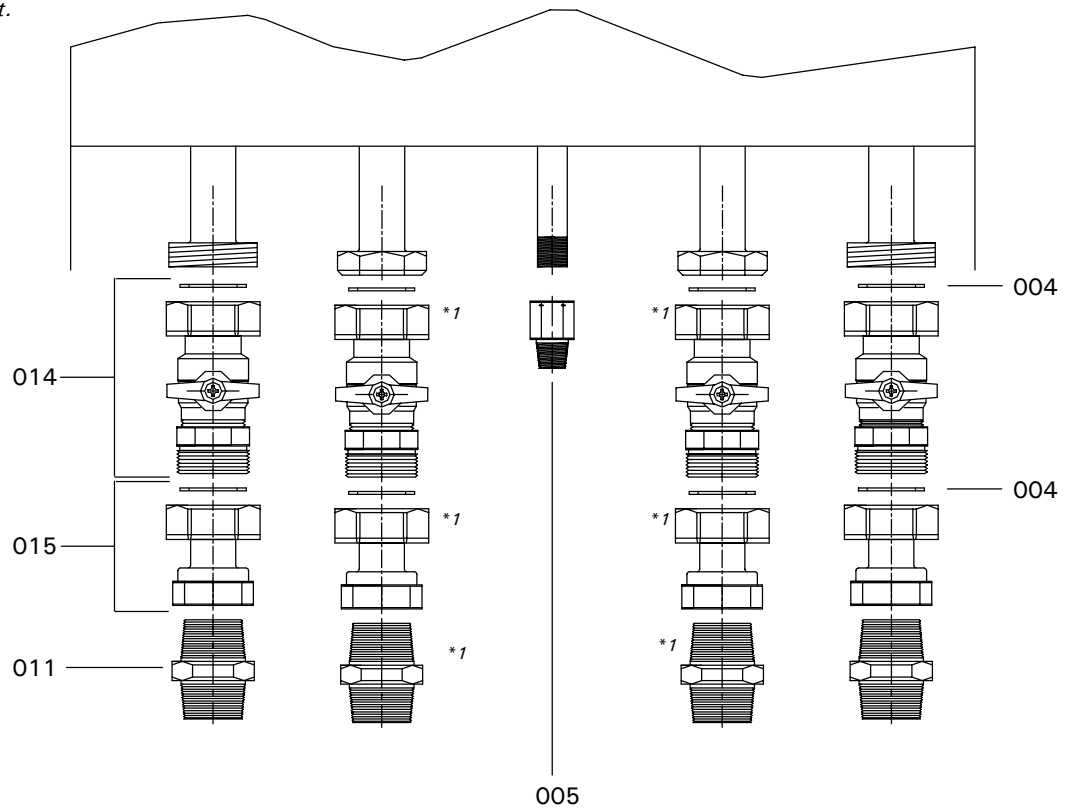
**Vitodens 200,
WB2 11-44 and WB2 15-60**

Parts

- 004 Gasket, 32 x 44 x 2mm
- 005 Brass adaptor, 3/4"
- 011 Steel nipple, 1 1/4"
- 014 Shut-off valve with gasket (pair)
- 015 Adaptor with gasket (pair)

- Not illustrated
016 Loctite sealant, 6mL
019 Parts List

**1Included in DHW Production Kit.*



Installation Fittings

Vitodens 200

Installation Fittings	7134 608	
------------------------------	-----------------	--

General Info	Price List Section:	2.5
	Parts Catalog Section:	10
	Series Name:	Vitodens 200 WB2 44/60 (8/2005 - 6/2009)
	Applies to serials nos. beginning with:	7188578... 7188577...
	Accurate as of:	07/01/2012

Parts List

Please refer to: Parts List

Pos. Description Part Numbers / Price Categories

110	Gasket, 32 x 44 x 2mm	9589 075 ¹			
111	Adaptor x2 w Gskt 1-1/2-1-1/4"	7205 935 ¹²			
112	Steel Nipple, 1-1/4" Male NPT-Male BS	9560 791 ⁸			
113	Tee, 1-1/4" x 1-1/4" x 3/4" Brass	9570 697 ¹⁰			
114	Nipple, 1-1/4 NPTM x 2-1/2" Brass	9570 778 ⁷			
115	Full Port Ball Valve, 1-1/4" FBV (T)	9544 348 ¹³			
116	Nipple, 3-1/2 x 3/4" BMI	9560 496 ⁵			
117	Brass Tee, 3/4"	9549 933 ⁷			
118	Sediment Faucet, 3/4" NPT	9542 942 ⁵			
119	Nipple, 3/4 x 2" Brass	9570 696 ⁴			
120 * ¹	Pr.Rel Valve, 3/4" (FF) 30PSI	9542 940 ⁸			
120 * ¹	Pr.Rel Valve, 3/4 x 3/4" 45PSI	9549 944 ¹¹			
122	Shut-Off Valve (pair w gskt)	7341 020 ²⁴			
130	Access. Pack (Mtl.Stud Mt.Kit)	7134 206 ⁵			
131	Loctite 565 Sealant, 6ml Tube	9560 178 ⁷			
132	Keychain w Air Bleed Key "Viessmann"	9561 042 ^{Net x}	net pricing		
133	Parts List	5285 974 ^L			

Notes:

*1 IMPORTANT 30 psi pressure relief valve is standard equipment shipped with boiler; 45 psi valve is optional equipment.

"n.a." indicates not applicable.

"W" indicates wearing part (service).

"L" indicates literature (no charge).

"Kit" or "Other" indicates that this is not a Price Category item; contact Inside Sales for pricing.

"D" indicates discontinued.

VITOTRONIC 100

Vitotronic 100	KW10A 7453016	KW10B 7834238	
-----------------------	-------------------------	-------------------------	--

General Info Price List / Product Cat. Section: 3.1
 Series Name: Vitotronic 100 (1/2011 -)

Accurate as of: 07/01/2012

Parts List

Please refer to: Parts List

Pos. Description Part Numbers / Price Categories

001	Cable Clip	7819 916 ³	7819 916 ³		
004	AHL Dial	7818 270 ³	7818 270 ³		
005	Fixed High Limit Cover	7819 310 ³	7819 310 ³		
007	Flip-Down Cover	7823 157 ¹²	7823 157 ¹²		
010	Ctrl Housing Cov, Top	7819 359 ¹³	7819 359 ¹³		
011	Ctrl Housing, Front	7818 271 ⁹	7818 271 ⁹		
016	Ctrl Housing NR1, Bottom	7819 305 ⁹	7819 305 ⁹		
018	Thermometer, °C/°F	9543 566 ⁸	9543 566 ⁸		
019	Switch Knockout	7818 272 ³	7818 272 ³		
023	Fuse Holder	7819 312 ⁴	7819 312 ⁴		
024	Fuse Holder Cover	7819 313 ³	7819 313 ³		
030	Fixed High Limit, 190x1760mm	7820 035 ¹⁷	7820 035 ¹⁷		
031	Adj. High Limit, I= 1750	7820 033 ¹³	7820 033 ¹³		
033	AHL Knob	7818 263 ³	7818 263 ³		
034	Override Switch	9527 235 ²	9527 235 ²		
035	Space Heating Circuit Switch	9527 235 ²	9527 235 ²		
036	On/Off Switch	7819 315 ⁷	7819 315 ⁷		
040	Sensor #1 for Outdoor, 5K	7416 057 ¹²	7416 057 ¹²		
042	Sensor #3 for Boiler, 10K	9560 927 ¹²	9560 927 ¹²		
043	Sensor #5 for DHW, 10K	9560 927 ¹²	9560 927 ¹²		
065 ^{*1}	Control Cable w #41 Plug	7823 562 ¹⁰	7823 562 ¹⁰		
066 ^{*1}	Burner Cable w #41 Plug, for VR2	9549 080 ¹²	9549 080 ¹²		
067 ^{*1}	Burner Cable w #41 Plug, for VB2	9543 975 ¹¹	9543 975 ¹¹		
068 ^{*1}	Burner Cable w #41 Plug, for Riello/VR1	7134 623 ⁸	7134 623 ⁸		
069 ^{*1}	Burner Cable w #41 Plug, for Beckett/VR1	7134 483 ¹²	7134 483 ¹²		
070 ^{*1}	Burner Cable w #41 Plug, for GS10	7133 981 ¹⁵	7133 981 ¹⁵		
091 W	Fuse, 6.3A/250V (Pkg of 10)	7404 365 ⁶	7404 365 ⁶		
092 W	Fuse, 6.25a (US Style, Pkg of 5)	9543 710 ⁸	9543 710 ⁸		
093	Fuse Cover	7837 271 ²	7837 271 ²		
094 W	Fuse, 0.1A/250V (Pkg of 5)	7837 269 ⁸	7837 269 ⁸		
100	Motherboard	7837 270 ⁵⁰	7837 270 ⁵⁰		
105	Circuit Board, LED	9544 419 ¹⁹	9544 419 ¹⁹		
110	LON Communication Module	n.a. ^{n.a.}	7834 357 ³⁵		
115	Relay 24VDC DPDT	7837 268 ⁷	7837 268 ⁷		
120	Interconnector 1/4	7837 272 ⁶	7837 272 ⁶		
200	Install./Start-Up/Serv. Instr.	5728 557 ^L	5712 717 ^L		
201	Oper. Instr./User's Info	5728 556 ^L	5712 718 ^L		
202	Parts List	5712 719 ^L	5712 719 ^L		

Notes:

*1 IMPORTANT: Shipped with burner or boiler.

"n.a." indicates not applicable.

"W" indicates wearing part (service).

"L" indicates literature (no charge).

Parts List

VITOTRONIC 100

Models: KW10A and KW10B

Ordering Replacement Parts:

Please provide control Model No., Serial Number from rating plate, as well as the position number of the part (see Parts List) when ordering replacement parts. Order replacement components from your Viessmann distributor.

Parts

- 001 Cable clip
- 004 AHL dial
- 005 Fixed high limit cover
- 007 Flip-down cover
- 010 Control housing cover, top
- 011 Control housing, front
- 016 Control housing, bottom
- 018 Thermometer, °C/°F

- 019 Switch knockout
- 023 Fuse holder
- 024 Fuse holder cover
- 030 Fixed high limit, 190x1760mm
- 031 Adjustable high limit, l= 1750mm
- 033 AHL knob
- 034 Override switch
- 035 Space heating circuit switch
- 036 On/Off switch
- 040 Sensor for outdoor, 5K
- 042 Sensor #3 for boiler, 10K
- 043 Sensor #5 for DHW, 10K
- 065 Control cable with #41 plug *1
- 093 Fuse cover
- 100 Motherboard
- 105 Circuit board, LED
- 110 LON communication module *2
- 115 Relay 24VDC DPDT

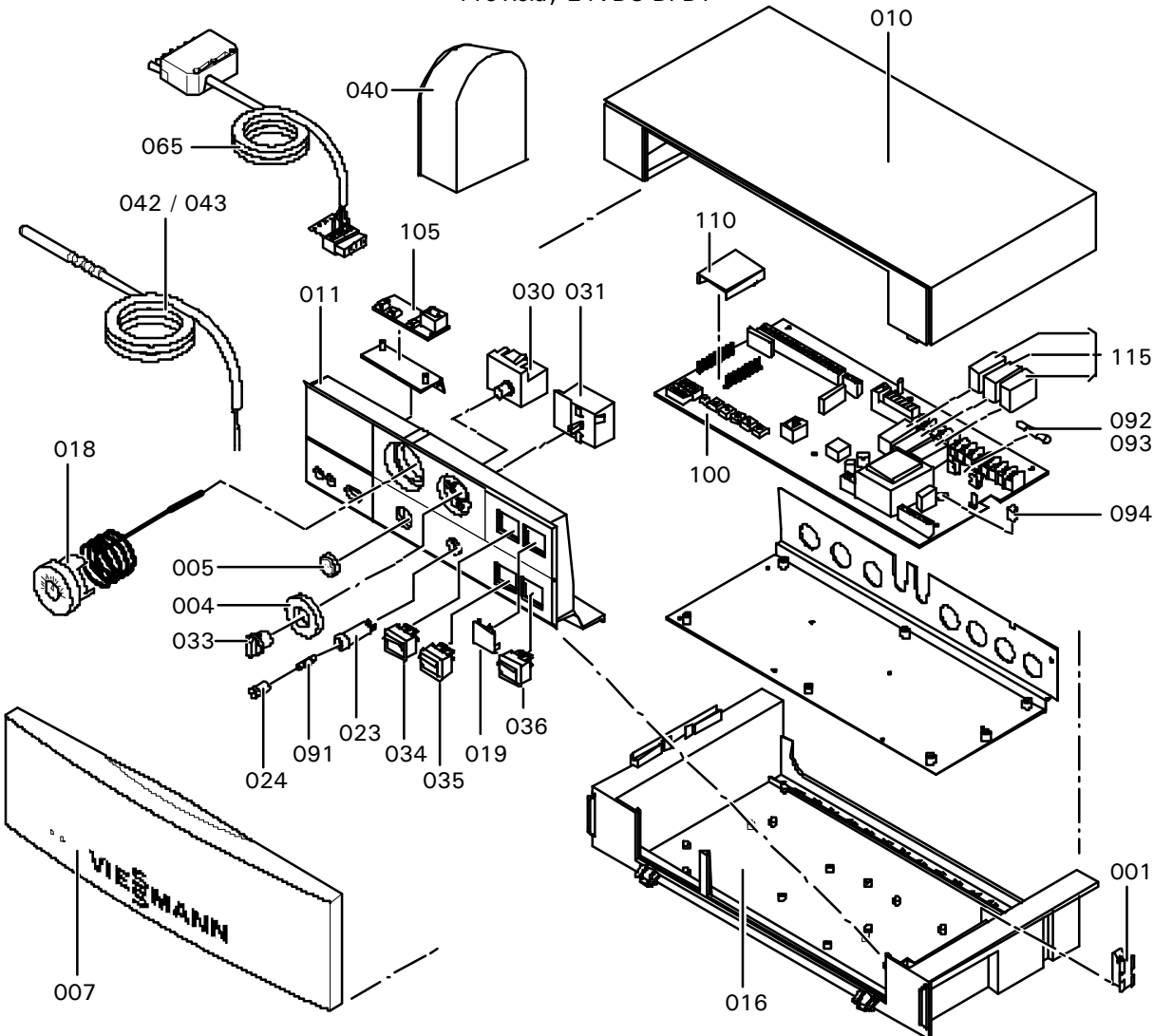
Wear Parts

- 091 Fuse, 6.3A/250V (package of 10)
- 092 Fuse, 6.25A, US style (package of 5)
- 094 Fuse, 0.1A/250V (package of 5)

Other Parts (not illustrated)

- 120 Interconnector 1/4
- 200 Installation Instructions
- 201 Operating Instructions
- 202 Parts List

*1 Shipped with burner or boiler.
*2 Applies only to Model KW10B.



VITOTRONIC 100

Vitotronic 100	KK5 7133 373	KK10 7133 374	KW10 7133 375	
-----------------------	------------------------	-------------------------	-------------------------	--

General Info Price List / Product Cat. Section: 3.1
 Series Name: Vitotronic 100 (11/2000 - 1/2011)

Accurate as of: 07/01/2012

Parts List

Please refer to: Parts List

Pos. Description Part Numbers / Price Categories

001	Cable Clip	7819 916 ³	7819 916 ³	7819 916 ³
004	AHL Dial	7818 270 ³	7818 270 ³	7818 270 ³
005	Fixed High Limit Cover	7819 310 ³	7819 310 ³	7819 310 ³
007	Flip-Down Cover	7823 157 ¹²	7823 157 ¹²	7823 157 ¹²
010	Ctrl Housing Cover, top	7819 359 ¹³	7819 359 ¹³	7819 359 ¹³
011	Ctrl Housing, Front	7818 271 ⁹	7818 271 ⁹	7818 271 ⁹
016	Ctrl Housing, Bottom	7819 305 ⁹	7819 305 ⁹	7819 305 ⁹
017	Ctrl Housing, Rear	7819 303 ⁶	7819 303 ⁶	7819 303 ⁶
018 a	Thermometer, Deg. C	7334 598 ⁸	7334 598 ⁸	7334 598 ⁸
018 b	Thermometer, Deg. F	7334 599 ⁸	7334 599 ⁸	7334 599 ⁸
018 c	Thermometer, Deg. C/F	9543 566 ⁸	9543 566 ⁸	9543 566 ⁸
019	Switch Knockout	7818 272 ³	7818 272 ³	7818 272 ³
023	Fuse Holder	7819 312 ⁴	7819 312 ⁴	7819 312 ⁴
024	Fuse Holder Cover	7819 313 ³	7819 313 ³	7819 313 ³
030	Fixed High Limit, 190x1600mm	7820 035 ¹⁷	7820 035 ¹⁷	7820 035 ¹⁷
031	Adj. High Limit	7820 033 ¹³	7820 033 ¹³	7820 033 ¹³
032	Pump Aquastat,35-95Deg.C Ego55.18215.040	9544 743 ⁸	9544 743 ⁸	9544 743 ⁸
033	AHL Knob	7818 263 ³	7818 263 ³	7818 263 ³
035	Rocker Type Switch, Two-Pole	n.a. ^{n.a.}	9527 235 ²	9527 235 ²
036	Switch, 2-Pole (Power On/Off)	7819 315 ⁷	7819 315 ⁷	7819 315 ⁷
037 ^{*1}	Circuit Board V.1	n.a. ^{n.a.}	n.a. ^{n.a.}	n.a. ^{n.a.}
037 ^{*1}	Circuit Board V.2	n.a. ^{n.a.}		
038	Circuit Board, Led Vitotronic	n.a. ^{n.a.}	9544 419 ¹⁹	9544 419 ¹⁹
039 ^{*1}	Circuit Board, I-O Control			n.a. ^{n.a.}
040	Sensor #1 (Outdoor)	n.a. ^{n.a.}	n.a. ^{n.a.}	7242 945 ¹⁵
042	Sensor #3 (Boiler)	n.a. ^{n.a.}	n.a. ^{n.a.}	7134 270 ¹³
065 a	Control Cable w #41 Plug	7823 562 ¹⁰	7823 562 ¹⁰	7823 562 ¹⁰
065 b	Burner Cable w #41 Plug, VR2	9549 080 ¹²	9549 080 ¹²	9549 080 ¹²
065 c	Burner Cable w #41 Plug, VB2	9543 975 ¹¹	9543 975 ¹¹	9543 975 ¹¹
065 d	Burner Cable w #41 Plug, GS1/GS10/RS	7823 562 ¹⁰	7823 562 ¹⁰	7823 562 ¹⁰
091 W	Fuse, 6.3a/250v	7404 365 ⁶	7404 365 ⁶	7404 365 ⁶
098	Access. Pack (Strain Reliefs)	7818 619 ⁵	7818 619 ⁵	7818 619 ⁵

VITOTRONIC 100

Vitotronic 100	KK5 7133 373	KK10 7133 374	KW10 7133 375	
-----------------------	------------------------	-------------------------	-------------------------	--

General Info Price List / Product Cat. Section: 3.1
 Series Name: Vitotronic 100 (11/2000 - 1/2011)

Accurate as of: 07/01/2012

Parts List

Please refer to: Parts List
 Pos. Description

Part Numbers / Price Categories

080	Install./Start-Up/Serv. Instr. , KW10
085	Oper. Instr./User's Info, KW10
090	Parts List Vitotronic 100
099	Access. Pack (Mounting Scrw)
100	Finder Relay 40.61
101	IDEC Relay RQ
102	IDEC Relay RJ
103 *2	Fuse, 500mA/250V (Pkg of 5)

5167 483 ^L	5167 483 ^L	5167 483 ^L	
5167 484 ^L	5167 484 ^L	5167 484 ^L	
5167 407 ^L	5167 407 ^L	5167 407 ^L	
7819 302 ⁸	7819 302 ⁸	7819 302 ⁸	
7834 181 ⁷	7834 181 ⁷	7834 181 ⁷	
7834 155 ⁷	7834 155 ⁷	7834 155 ⁷	
7834 180 ⁷	7834 180 ⁷	7834 180 ⁷	
n.a. ^{n.a.}	7837 267 ⁸	7837 267 ⁸	

Notes:

*1 IMPORTANT: Due to the potential for miswiring, replacement circuit boards are not offered for these controls products; replace entire control, or ship existing unit to Viessmann Waterloo (Attn: Controls Division) for a service estimate.

*2 IMPORTANT: External transformer fuse only on models beginning 6/2010.

"n.a." indicates not applicable.

"W" indicates wearing part (service).

"L" indicates literature (no charge).

Parts List



VITOTRONIC 100

Models: KK5, KK10 and KW10

Ordering Replacement Parts:

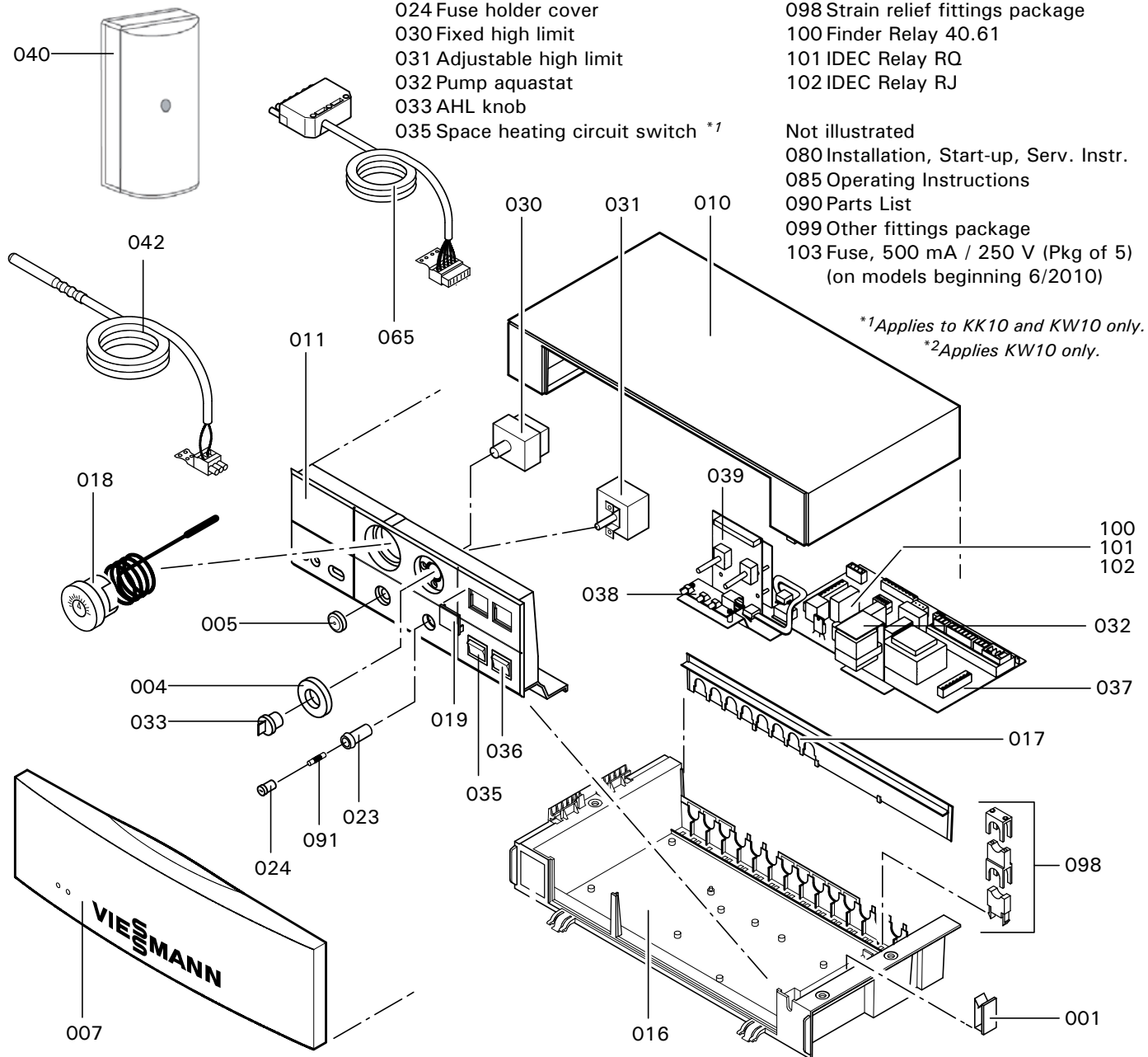
Please provide control Model No., Serial Number from rating plate, as well as the position number of the part (see Parts List) when ordering replacement parts. Order replacement components from your Viessmann distributor.

Please file in Service Binder

Part

- 001 Cable clip
 - 004 Adjustable high limit dial
 - 005 Fixed high limit cover
 - 007 Flip-down cover
 - 010 Control housing cover, top
 - 011 Control housing, front
 - 016 Control housing, bottom
 - 017 Control housing, rear
 - 018 Temperature gage
 - 019 Switch knockout
 - 023 Fuse holder
 - 024 Fuse holder cover
 - 030 Fixed high limit
 - 031 Adjustable high limit
 - 032 Pump aquastat
 - 033 AHL knob
 - 035 Space heating circuit switch *1
 - 036 Power switch
 - 037 Main circuit board
 - 038 LED circuit board *1
 - 039 Indoor/outdoor control *2
 - 040 Outdoor temperature sensor [1] *2
 - 042 Boiler sensor [3] *2
 - 065 Burner cable with plug-in connector (shipped with burner or boiler)
 - 091 Fuse T 6.3 A / 250 V, slow blow
 - 098 Strain relief fittings package
 - 100 FINDER Relay 40.61
 - 101 IDEC Relay RQ
 - 102 IDEC Relay RJ
- Not illustrated
- 080 Installation, Start-up, Serv. Instr.
 - 085 Operating Instructions
 - 090 Parts List
 - 099 Other fittings package
 - 103 Fuse, 500 mA / 250 V (Pkg of 5) (on models beginning 6/2010)

*1Applies to KK10 and KW10 only.
*2Applies KW10 only.



5167 407 1/2011

Some components are not exactly as illustrated.

Vitotronic	KW2	KW3		
General Info	Price List / Product Cat. Section: 3.2, 3.3 Series Name: KW2, KW3 (11/2000 -) Accurate as of: 07/01/2012			
Shipping Overview				
11/2000 - 6/2007 Control PmpCtlMod	Z001230 Z001231 7134 376 7134 377 7133 436 7133 437			
6/2007 - present Control PmpCtlMod	Z001230 Z001231 7134 765 7134 766 7133 436 7133 437			

Vitotronic	Vitotr. 200 7134 765	Vitotr. 300 7134 766	
General Info	Price List Section:	3.2, 3.3	
	Parts Catalog Section	12	
	Series Name:	KW2, KW3	(3/2007 forward)
	Applies to serials nos. beginning with:	7187090... 7187093...	
	Accurate as of:	07/01/2012	

Parts List

Please refer to: Parts List
Pos. Description

Part Numbers / Price Categories

Pos.	Description	Part Numbers / Price Categories	Part Numbers / Price Categories	Part Numbers / Price Categories	Part Numbers / Price Categories
001	Cable Clip	7819 916 ³	7819 916 ³		
004	Adj. High Limit Dial	7819 311 ³	7819 311 ³		
005	Fixed High Limit Cover	7819 310 ³	7819 310 ³		
010	Front Cover (Flip-Down)	7823 158 ¹¹	7823 158 ¹¹		
011	Ctrl Panel, Bottom Right	7819 308 ⁷	7819 308 ⁷		
013	Housing, Top (Drawer)	7819 321 ¹⁶	7819 321 ¹⁶		
014	Circuit Board, Cover Assly	7819 306 ⁹	7819 306 ⁹		
015	Flip-Down Cover	7819 307 ⁵	7819 307 ⁵		
016	Ctrl Housing NR1, Bottom	7819 305 ⁹	7819 305 ⁹		
017	Ctrl Housing, Rear	7819 303 ⁶	7819 303 ⁶		
018	Programming Unit	7823 986 ³¹	7823 986 ³¹		
019	Front Cover (Htg Circuits)	7818 622 ⁹	7818 623 ¹⁰		
020	Flat Cable, 14-Pole	7819 320 ⁶	7819 320 ⁶		
023	Fuse Holder	7819 312 ⁴	7819 312 ⁴		
024	Fuse Holder Cover	7819 313 ³	7819 313 ³		
030	Fixed High Limit, 3510mm	9527 410 ¹³	9527 410 ¹³		
031	Adj. High Limit, l = 1750	7820 033 ¹³	7820 033 ¹³		
033	AHL Knob	7819 309 ³	7819 309 ³		
035	Switch, 1-Pole (FHL Test)	7819 314 ⁷	7819 314 ⁷		
036	Switch, 2-Pole (Power On/Off)	7819 315 ⁷	7819 315 ⁷		
040	Sensor #1 (Outdoor)	7820 148 ¹⁹	7820 148 ¹⁹		
041	Sensor #2 (Strap-On w Cable)	7183 288 ¹⁹	n.a. ^{n.a.}		
042	Sensor #3 (Boiler)	7450 632 ²⁰	7450 632 ²⁰		
043	Sensor #5 (DHW)	7450 633 ¹⁹	7450 633 ¹⁹		
050	Circuit Board (ctl software)	7828 192 ²⁰	7828 192 ²⁰		
051	Circuit Board, Optolink	7819 323 ⁹	7819 323 ⁹		
052	Motherboard	7823 982 ³²	7823 985 ³³		
053	Fault Indication Module	n.a. ^{n.a.}	7450 562 ¹³		
054	Circuit Board (120V pwr supply)	7823 991 ²²	7823 991 ²²		
055	Circuit Board, Mixing Valve Expansion	7829 305 ¹⁸	n.a. ^{n.a.}		
056	Comm. Module, 2-Wire BUS	n.a. ^{n.a.}	7450 564 ¹⁸		
065	Control Cable w #41 Plug	7823 562 ¹⁰	7823 562 ¹⁰		
074	Connecting Cable 'Western 1'	7819 319 ⁵	7819 319 ⁵		
090	Fuse, 4.0A/250V (Pkg of 10)	7404 364 ⁶	7404 364 ⁶		
091	Fuse, 6.3A/250V (Pkg of 10)	7404 365 ⁶	7404 365 ⁶		
092	Fuse Holder	7818 638 ⁴	7818 638 ⁴		
098	Access. Pack (Strain Reliefs)	7818 619 ⁵	7818 619 ⁵		
099	Access. Pack (Mounting Scrw)	7819 302 ⁸	7819 302 ⁸		continued

Vitotronic	Vitotr. 200 7134 765	Vitotr. 300 7134 766	
-------------------	---------------------------------------	---------------------------------------	--

General Info	Price List Section:	3.2, 3.3	
	Parts Catalog Section	12	
	Series Name:	KW2, KW3	(3/2007 forward)
	Applies to serials nos. beginning with:	7187090... 7187093...	
	Accurate as of:	07/01/2012	

Parts List

Please refer to: Parts List
Pos. Description

Part Numbers / Price Categories

120 *1	Power/Pump Ctrl Module	7133 436 ⁴¹	7133 437 ³⁸		
121	Installation Instructions	5303 268 ^L	5303 269 ^L		
122	Service Instructions	5303 270 ^L	5303 271 ^L		
123	Operating Instructions	5303 272 ^L	5303 272 ^L		
124	Parts List	5303 273 ^L	5303 274 ^L		

Notes:

*1 IMPORTANT Due to the potential for miswiring, replacement circuit boards are not offered for these Power/Pump Control Modules; replace entire PPCM, or ship existing unit to Viessmann Waterloo (Attn: Controls Division) for a service estimate.

"n.a." indicates not applicable.

"W" indicates wearing part (service).

"L" indicates literature (no charge).

"Kit" or "Other" indicates that this is not a Price Category item; contact Inside Sales for pricing.

Parts List

VIESSMANN

VITOTRONIC 200

KW2 Series

Serial No. 7187090□□□□□□□□□□

Please file in Service Binder

Ordering Replacement Parts:

Please provide Model and Serial Number from rating plate **(A)** when ordering replacement parts. Order replacement components from your Viessmann distributor.

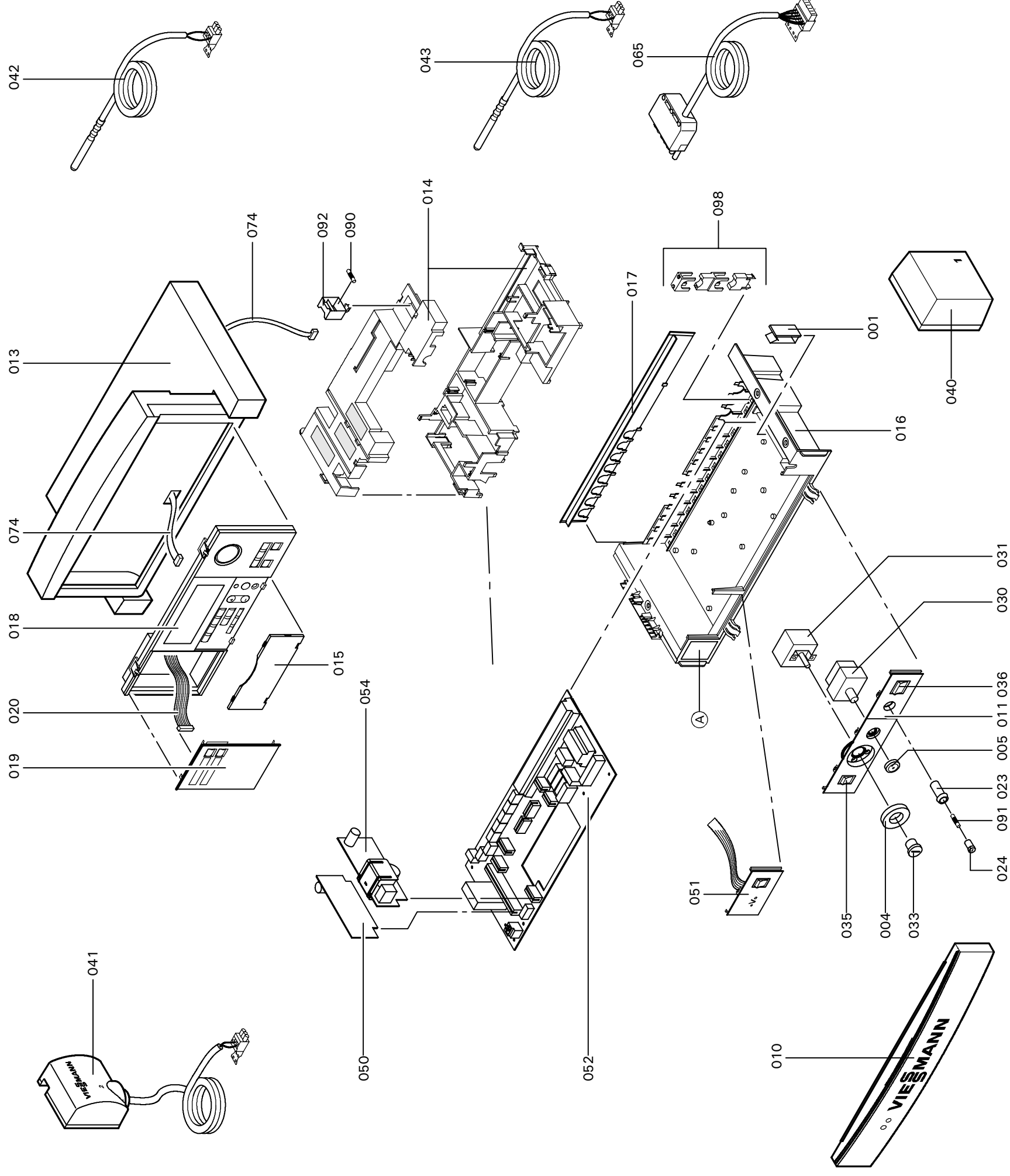
Parts

- 001 Cable clip
- 004 Adjustable high limit dial "⊕"
- 005 Cover for fixed high limit "⬆"
- 010 Front flip-down cover
- 011 Control panel, bottom right
- 013 Housing, top (drawer)
- 014 Circuit board cover assembly
- 015 Flip-down cover of programming unit
- 016 Housing, bottom
- 017 Control housing, rear
- 018 Programming unit
- 019 Front cover for heating circuit selector buttons
- 020 Flat cable, 14-pole
- 023 Fuse holder
- 024 Fuse holder cover
- 030 Fixed high limit "⬆"
- 031 Adjustable high limit "⊕"
- 033 Adjustable high limit rotary knob "⊕"
- 035 Switch, 1-pole (FHL test switch)
- 036 Switch, 2-pole (ON/OFF switch "⊕")
- 040 Outdoor temperature sensor **[1]**
- 041 Supply temperature sensor with plug-in connector **[2]**
- 042 Boiler temperature sensor with plug-in connector **[3]**
- 043 DHW tank temperature sensor with plug-in connector **[5]**
- 050 Circuit board control (software)
- 051 Optolink circuit board
- 052 Motherboard
- 054 Power supply circuit board
- 065 Control cable **[4]**
- 074 Connecting cable
- 090 Fuse T 4 A / 250 VAC
- 091 Fuse T 6.3 A / 250 VAC
- 092 Fuse holder
- 098 Pack of strain relief clamp parts

Other Parts (not illustrated)

- 099 Pack of mounting screws
- 120 Power/Pump Module
- 121 Installation Instructions
- 122 Service Instructions
- 123 Operating Instructions
- 124 Parts List

(A) Rating plate



Parts List

VIESSMANN

VITOTRONIC 300 KW3 Series

Serial No. 7187091□□□□□□□□□□□□□□□□

Please file in Service Binder

Ordering Replacement Parts:
Please provide Model and Serial Number from rating plate (A) when ordering replacement parts. Order replacement components from your Viessmann distributor.

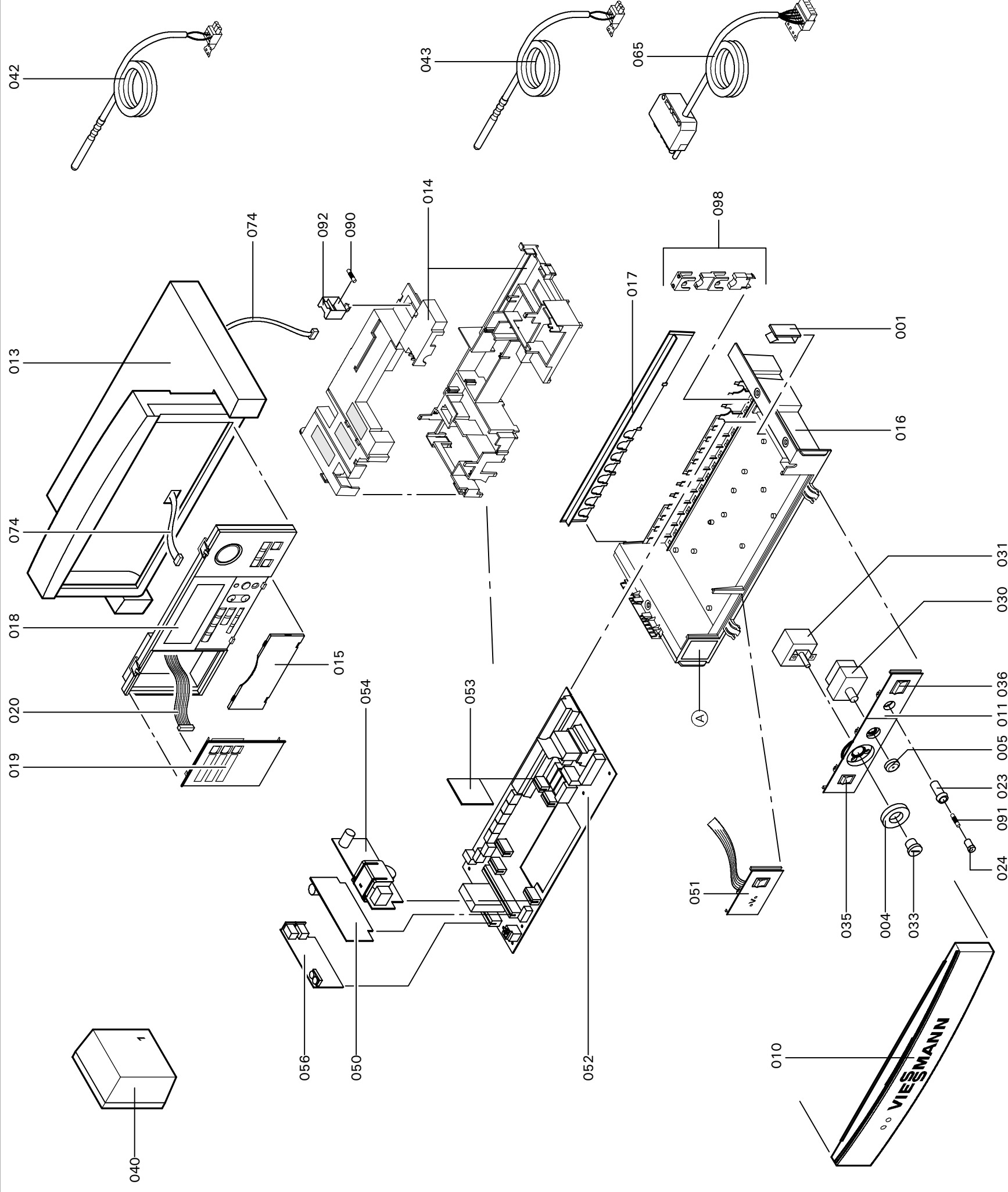
Parts

- 001 Cable clip
- 004 Adjustable high limit dial "⊕"
- 005 Cover for fixed high limit "⬆"
- 010 Front flip-down cover
- 011 Control panel, bottom right
- 013 Housing, top (drawer)
- 014 Circuit board cover assembly
- 015 Flip-down cover of programming unit
- 016 Housing, bottom
- 017 Control housing, rear
- 018 Programming unit
- 019 Front cover for heating circuit selector buttons
- 020 Flat cable, 14-pole
- 023 Fuse holder
- 024 Fuse holder cover
- 030 Fixed high limit "⬆"
- 031 Adjustable high limit "⊕"
- 033 Adjustable high limit rotary knob "⊕"
- 035 Switch, 1-pole (FHL test switch)
- 036 Switch, 2-pole (ON/OFF switch "⊕")
- 040 Outdoor temperature sensor [1]
- 042 Boiler temperature sensor with plug-in connector [3]
- 043 DHW tank temperature sensor with plug-in connector [5]
- 050 Circuit board control (software)
- 051 Optolink circuit board
- 052 Motherboard
- 053 Fault indication module (accessory)
- 054 Power supply circuit board
- 056 Viessmann 2-wire BUS Expansion Module (accessory)
- 065 Control cable [4]
- 074 Connecting cable
- 090 Fuse T 4 A / 250 VAC
- 091 Fuse T 6.3 A / 250 VAC
- 092 Fuse holder
- 098 Pack of strain relief clamp parts

Other Parts (not illustrated)

- 099 Pack of mounting screws
- 120 Power/Pump Module
- 121 Installation Instructions
- 122 Service Instructions
- 123 Operating Instructions
- 124 Parts List

(A) Rating plate



Vitotronic	Vitotr. 200 7133 376	Vitotr. 300 7133 377	
General Info	Price List Section:	3.2, 3.3	
	Parts Catalog Section:	12	
	Series Name:	KW2, KW3 (11/2000 - 6/2007)	
	Applies to serials nos. beginning with:	7450755...	7450765...
	Accurate as of:	07/01/2012	

Parts List

Please refer to: Parts List
Pos. Description

Part Numbers / Price Categories

Pos.	Description	Part Numbers	Price Categories		
001	Cable Clip	7819 916 ³	7819 916 ³		
004	AHL Dial	7819 311 ³	7819 311 ³		
005	Fixed High Limit Cover	7819 310 ³	7819 310 ³		
010	Front Cover (Flip-Down)	7818 629 ⁸	7818 629 ⁸		
011	Ctrl Panel, Bottom Right	7819 308 ⁷	7819 308 ⁷		
013	Housing, Top (Drawer)	7819 321 ¹⁶	7819 321 ¹⁶		
014	Circuit Board, Cover Assly	7819 306 ⁹	7819 306 ⁹		
015	Flip-Down Cover	7819 307 ⁵	7819 307 ⁵		
016	Ctrl Housing, Bottom	7819 305 ⁹	7819 305 ⁹		
017	Ctrl Housing, Rear	7819 303 ⁶	7819 303 ⁶		
018	Programming Unit	7818 641 ³⁵	7818 641 ³⁵		
019	Front Cover (Htg Circuits)	7818 622 ⁹	7818 623 ¹⁰		
020	Flat Cable, 14-Pole	7819 320 ⁶	7819 320 ⁶		
023	Fuse Holder	7819 312 ⁴	7819 312 ⁴		
024	Fuse Holder Cover	7819 313 ³	7819 313 ³		
030	Fixed High Limit, 190x1600mm	7820 035 ¹⁷	7820 035 ¹⁷		
031	Adj. High Limit	7820 033 ¹³	7820 033 ¹³		
033	AHL Knob	7819 309 ³	7819 309 ³		
035	Switch, 1-Pole (FHL Test)	7819 314 ⁷	7819 314 ⁷		
036	Switch, 2-Pole (Power On/Off)	7819 315 ⁷	7819 315 ⁷		
040	Sensor #1 (Outdoor)	7820 148 ¹⁹	7820 148 ¹⁹		
041	Sensor #2 (Strap-On)	7183 288 ¹⁹	n.a. ^{n.a.}		
042	Sensor #3 (Boiler)	7450 632 ²⁰	7450 632 ²⁰		
043	Sensor #5 (DHW)	7450 633 ¹⁹	7450 633 ¹⁹		
050	Circuit Board, Ctrl (Cpu)	7818 268 ²²	7818 268 ²²		
051	Circuit Board, Optolink	7819 323 ⁹	7819 323 ⁹		
052	Motherboard	7819 361 ³²	7823 985 ³³		
053	Circuit Board, (Fault Indic.)	7818 269 ^D	7818 269 ^D		
054	Circuit Board, 120V Pwr Switching	7823 991 ²²	7823 991 ²²		
055	Circuit Board, Mixing Valve Expansion	7829 305 ¹⁸	n.a. ^{n.a.}		
056	Expansion Module (2-Wire Bus)	n.a. ^{n.a.}	7450 564 ¹⁸		
060	Access. Pack (Low Volt.Cnctrs)	7819 349 ⁹	7819 349 ⁹		
061	Access. Pack (Access.Connectors)	7819 350 ⁹	7819 350 ⁹		
062	Access. Pack (KM-BUS Cnctrs)	7819 351 ⁹	n.a. ^{n.a.}		
071	Burner Cable w (#41)	7823 562 ¹⁰	7823 562 ¹⁰		
074	Connecting Cable	7819 319 ⁵	7819 319 ⁵		continued

Vitotronic	Vitotr. 200 7133 376	Vitotr. 300 7133 377	
-------------------	---------------------------------------	---------------------------------------	--

General Info	Price List Section:	3.2, 3.3
	Parts Catalog Section	12
	Series Name:	KW2, KW3 (11/2000 - 6/2007)
	Applies to serials nos. beginning with:	7450755... 7450765...
	Accurate as of:	07/01/2012

Parts List

Please refer to: Parts List

Pos. Description Part Numbers / Price Categories

080	Install. Instr.	5167 488 ^L	5167 493 ^L		
081	Oper. Instr./User's Info	5167 490 ^L	5167 490 ^L		
084	Serv. Instr.	5167 489 ^L	5167 494 ^L		
085	Parts List	5167 491 ^L	5167 496 ^L		
090 W	Fuse, 4a/250v (Pkg of 10)	7404 364 ⁶	7404 364 ⁶		
091 W	Fuse, 6.3a/250v (Pkg of 10)	7404 365 ⁶	7404 365 ⁶		
092	Fuse Holder	7818 638 ⁴	7818 638 ⁴		
098	Access. Pack (Strain Reliefs)	7818 619 ⁵	7818 619 ⁵		
099	Access. Pack (Mounting Scrw)	7819 302 ⁸	7819 302 ⁸		
120 ^{*1}	Power/Pump Ctrl Module	7133 436 ⁴¹	7133 437 ³⁸		

Notes:

***1 IMPORTANT:** Due to the potential for miswiring, replacement circuit boards are not offered for these Power/Pump Control Modules; replace entire PPCM, or ship existing unit to Viessmann Waterloo (Attn: Controls Division) for a service estimate.

"n.a." indicates not applicable.

"W" indicates wearing part (service).

"L" indicates literature (no charge).

"Kit" or "Other" indicates that this is not a Price Category item; contact Inside Sales for pricing.

Parts List

VIESSMANN

VITOTRONIC 200

KW2 Series

Serial No. 7450755□□□□□□□□□□

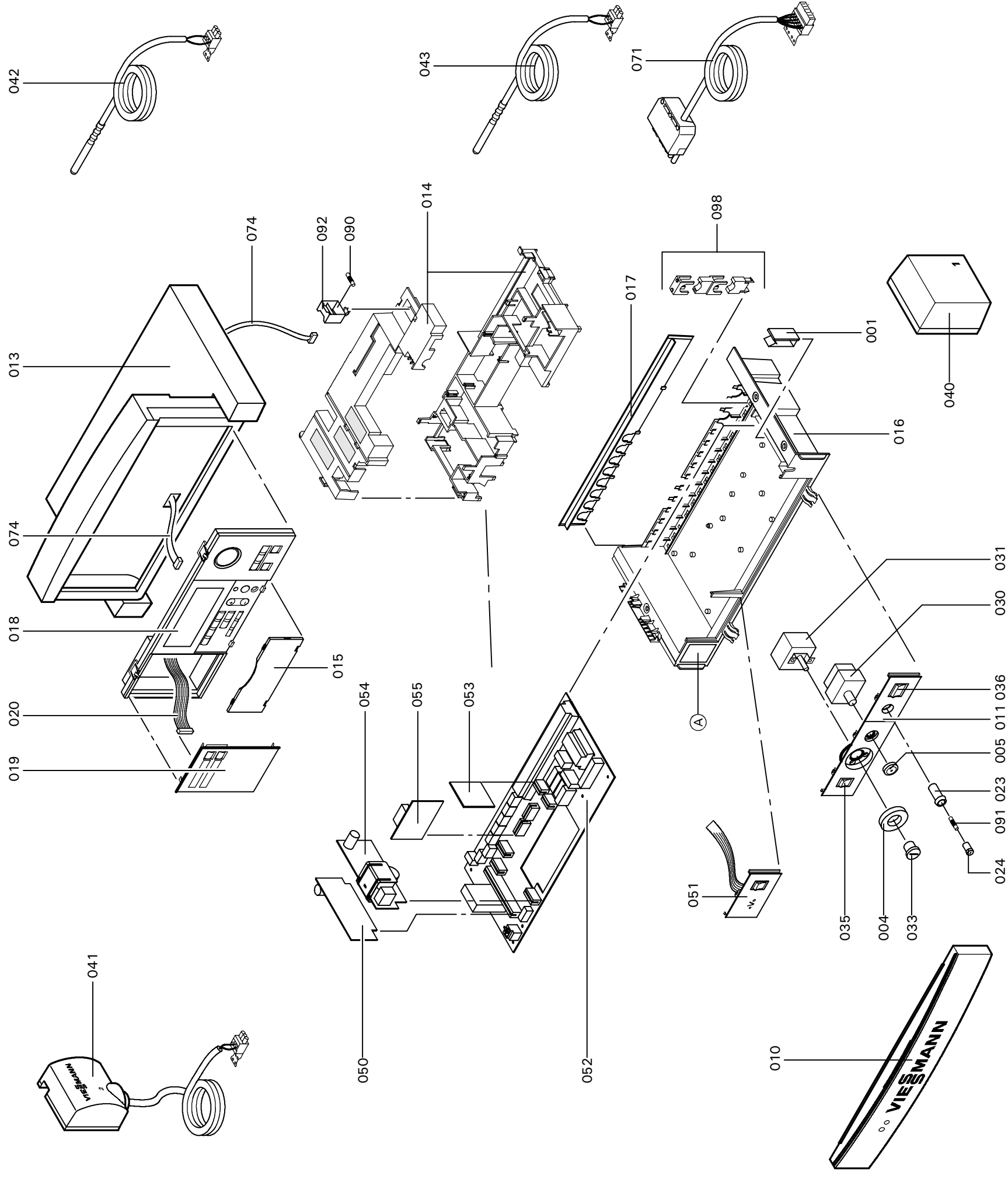
Please file in Service Binder

Ordering Replacement Parts:

Please provide Position No. (from this Parts List) when ordering replacement parts. Order replacement components from your Viessmann distributor.

Parts

- 001 Cable clip
 - 004 Adjustable high limit dial "⊕"
 - 005 Cover for fixed high limit "⊕"
 - 010 Control base flip-down cover
 - 011 Control panel, bottom right
 - 013 Housing, top (drawer)
 - 014 Circuit board cover
 - 015 Flip-down cover of programming unit
 - 016 Housing, bottom
 - 017 Control housing, rear
 - 018 Programming unit
 - 019 Front cover for heating circuit selector buttons
 - 020 Flat cable, 14-pole
 - 023 Fuse holder
 - 024 Fuse holder cover
 - 030 Fixed high limit "⊕"
 - 031 Adjustable high limit "⊕"
 - 033 Adjustable high limit rotary knob "⊕"
 - 035 Switch, 1-pole (FHL test switch)
 - 036 Switch, 2-pole (ON/OFF switch "⊕")
 - 040 Outdoor temperature sensor [1]
 - 041 Supply temperature sensor with plug-in connector [2]
 - 042 Boiler temperature sensor with plug-in connector [3]
 - 043 DHW tank temperature sensor with plug-in connector [5]
 - 050 Circuit board control (CPU)
 - 051 Motherboard
 - 052 Optolink circuit board
 - 053 Fault indication board (accessory)
 - 054 Power supply circuit board
 - 055 Circuit board for mixing valve actuator
 - 071 Ignition harness [4]
 - 074 Connecting cable
 - 090 Fuse T 4 A / 250 VAC
 - 091 Fuse T 6.3 A / 250 VAC
 - 092 Fuse holder
 - 098 Pack of strain relief clamp parts
- Other Parts (not illustrated)
- 080 Installation Instructions
 - 081 Operating Instructions
 - 084 Service Instructions
 - 085 Parts List
 - 099 Pack of mounting screws
 - 120 Power/Pump Module



Ⓐ Nameplate

VITOTRONIC 050

VITOTRONIC 200

		HK1M 7134 627	HK1M 7134 627	
General Info	Price List Section:	3.4		
	Parts Catalog Section	13		
	Series Name:	HK1M (01/2006 - present)		
	Applies to serials nos. beginning with:	7187102... 7248228...		
	Accurate as of:	07/01/2012		

Parts List

Please refer to: Parts List

Pos. Description Part Numbers / Price Categories

001	Transparent Cover	7811 037 ⁵	7811 037 ⁵		
006	Connection Cover	7822 827 ⁸	7822 827 ⁸		
011	Control Console	7822 828 ⁹	7822 828 ⁹		
019	Mounting Screw Set	7408 833 ⁵	7408 833 ⁵		
020	Fuse 4.0 Amp (Pack 10)	7404 364 ⁶	7404 364 ⁶		
024	Screw Cap f Fuse	7815 427 ⁴	7815 427 ⁴		
025	Programming Unit	7823 989 ³³	7823 989 ³³		
034	Sensor #2 (Strap-On w Cable)	7183 288 ¹⁹	7183 288 ¹⁹		
035	Circuit Board (ctl software)	7828 193 ²²	7828 193 ²²		
036	Access. Pack (Strain Reliefs)	7818 619 ⁵	7818 619 ⁵		
037	Strain Relief	7811 052 ¹	7811 052 ¹		
038	Strain Relief (Communication Module)	7811 042 ¹	7811 042 ¹		
039	Support (Communication Module)	7811 041 ³	7811 041 ³		
040	Sensor #1 (Outdoor)	7820 148 ¹⁹	7820 148 ¹⁹		
049	LON Terminal Resistor (2 Pieces)	7143 497 ^{Other}	7143 497 ^{Other}		
052	Motherboard 120/1/60	7134 629 ³³	7134 629 ³³		
072	Connecting Cable (5m), 2-Wire BUS	7814 624 ¹²	7814 624 ¹²		
073	Extension Cable (6m), 2-Wire BUS	7450 062 ¹²	7450 062 ¹²		
074	Harness f Prog.Unit	7820 412 ⁵	7820 412 ⁵		
078	Connecting Cable (7m), LON RJ45	7143 495 ¹³	7143 495 ¹³		
079	Handle f Mixing Valve Motor	7810 198 ⁴	7810 198 ⁴		
080	Install. Instr.	5285 967 ^L	5351 292 ^L		
081	Operating Instr.	5351 293 ^L	5351 293 ^L		
082	Parts List	5344 415 ^L	5344 415 ^L		
092	Base Plate	7811 035 ⁴	7811 035 ⁴		
094	Motor Drive, 120V	9527 162 ¹³	9527 162 ¹³		
097	Comm. Module, LON	7172 173 ³⁰	7172 173 ³⁰		
098	Comm. Module, 2-Wire BUS	7143 710 ²²	7143 710 ²²		
099	Connecting Cable 0.8m, 2-Wire BUS	7450 061 ⁸	7450 061 ⁸		
100	Access. Pack (Low Volt.Plugs)	7415 058 ⁷	7415 058 ⁷		
200	Power/Pump Ctrl Module HK1M	7134 628 ³⁷	7134 628 ³⁷		

Notes:

"n.a." indicates not applicable.

"W" indicates wearing part (service).

"L" indicates literature (no charge).

"Kit" or "Other" indicates that this is not a Price Category item; contact Inside Sales for pricing.

Parts List



VITOTRONIC 050 VITOTRONIC 200 HK1M Series

Please file in Service Binder

Model No. Serial No. *1
 HK1M 7187102□□□□□□□□□□
 HK1M 7248228□□□□□□□□□□

Ordering Replacement Parts:
 Please provide control Model and Serial Number from rating plate when ordering replacement parts. Order replacement components from your Viessmann distributor.

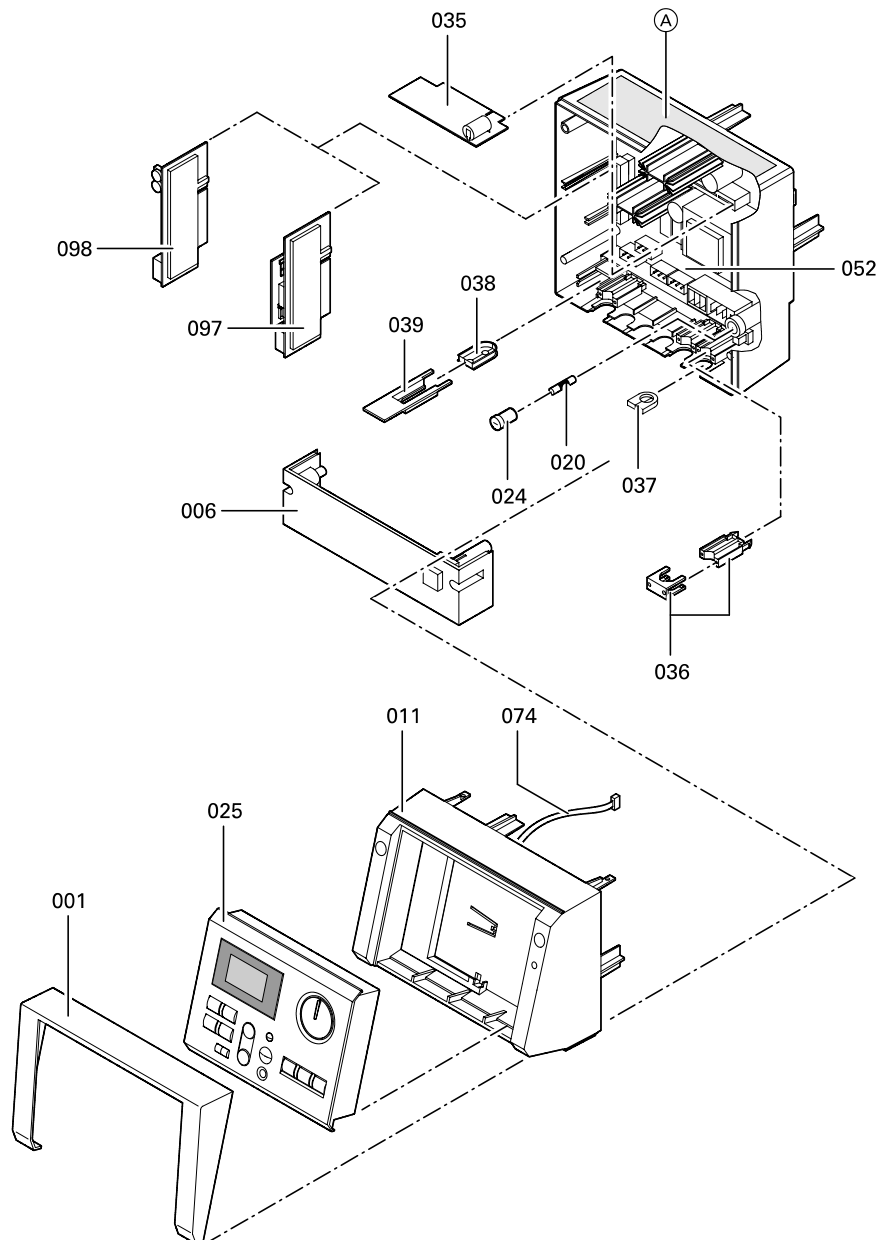
Parts

- 001 Transparent cover
- 006 Connection cover
- 011 Control console
- 020 Fuse 4.0 A
- 024 Screw cap for fuse
- 025 Programming unit
- 035 Circuit board, control software
- 036 Accessory pack, strain reliefs
- 037 Strain relief
- 038 Strain relief for communication module
- 039 Support for communication module
- 052 Motherboard, 120V
- 074 Harness for programming unit
- 097 Communication module, LON
- 098 Communication module, 2-wire BUS

Other Parts (not illustrated)

- 080 Installation Instructions
- 081 Operating Instructions
- 082 Parts List
- 100 Accessory pack, low voltage plugs
- 200 Power/Pump Ctrl Module, HK1M

Ⓐ Rating plate

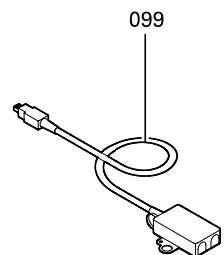
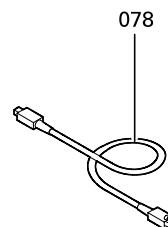
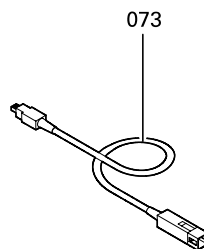
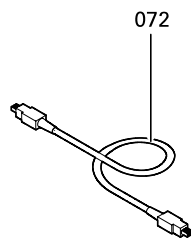
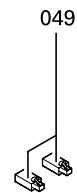
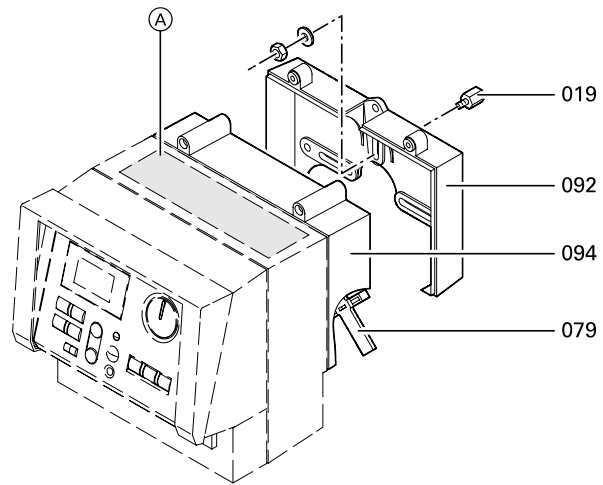


VITOTRONIC 050 VITOTRONIC 200 HK1M Series

Parts

- 019 Mounting screw set
- 034 Sensor #2, strap-on with cable
- 040 Sensor #1, outdoor
- 049 LON terminal resistor (2 pieces)
- 072 Connecting Cable (5m),
2-Wire BUS
- 073 Extension Cable (6m),
2-Wire BUS
- 078 Connecting cable (7m), LON RJ45
- 079 Handle for mixing valve motor
- 092 Base plate
- 094 Motor drive, 120V
- 099 Connecting Cable (0.8m),
2-Wire BUS

Ⓐ Rating plate



Dekamatik-HK1

Dekamatik-HK1	7133 368 MV Mount	7133 369 MV Mount Comm	7133 371 Wall Mnt	7133 372 Wall Mnt Comm
----------------------	----------------------	---------------------------	----------------------	---------------------------

General Info Price List / Product Cat. Section: 3.4
 Series Name: Dekamatik (6/1997 - 6/2006)

Accurate as of: 07/01/2012

Parts List

Please refer to: Parts List
 Pos. Description

Part Numbers / Price Categories

001	Transparent Cover HK1	7811 037 ⁵	7811 037 ⁵	7811 037 ⁵	7811 037 ⁵
006	Terminal Compartment Cover HK1	7814 594 ⁶	7814 594 ⁶	7814 594 ⁶	7814 594 ⁶
009	Hinged Cover CFL Prog. Unit	7815 906 ⁶	7815 906 ⁶	7815 906 ⁶	7815 906 ⁶
011	Control Housing	n.a. ^{n.a.}	n.a. ^{n.a.}	n.a. ^{n.a.}	n.a. ^{n.a.}
012	Mounting Plate Comfortrol HK1	7811 038 ³	7811 038 ³	7811 038 ³	7811 038 ³
013	Motor Module	n.a. ^{n.a.}	n.a. ^{n.a.}	n.a. ^{n.a.}	n.a. ^{n.a.}
017	Wall-Mount Base w Blank Cover	7133 385 ²²	7133 385 ²²	7133 385 ²²	7133 385 ²²
019	Mounting Screw Set Trimatik-MC/RN, HK	7408 833 ⁵	7408 833 ⁵	n.a. ^{n.a.}	n.a. ^{n.a.}
020 W	Fuse, 4A (Pkg of 10)	7404 364 ⁶	7404 364 ⁶	7404 364 ⁶	7404 364 ⁶
024	Screw Cap f Fuse (R)	7815 427 ⁴	7815 427 ⁴	7815 427 ⁴	7815 427 ⁴
025	Comfortrol Programming Unit	7133 383 ³⁹	7133 383 ³⁹	7133 383 ³⁹	7133 383 ³⁹
031	Sensor #5 (Dhw)	n.a. ^{n.a.}	n.a. ^{n.a.}	n.a. ^{n.a.}	n.a. ^{n.a.}
034	Sensor #2 Strap-On KW2/KW3/HK1	7183 288 ¹⁹	7183 288 ¹⁹	7183 288 ¹⁹	7183 288 ¹⁹
035	Electronic Procs. Board	7823 417 ¹⁹	7823 417 ¹⁹	7823 417 ¹⁹	7823 417 ¹⁹
036, 037	Cable Guide Set	7415 197 ⁵	7415 197 ⁵	7415 197 ⁵	7415 197 ⁵
040	Sensor #1 (Outdoor)	7820 148 ¹⁹	7820 148 ¹⁹	7820 148 ¹⁹	7820 148 ¹⁹
044	Room Temp. Sensor	7133 379 ²⁰	7133 379 ²⁰	7133 379 ²⁰	7133 379 ²⁰
049	Battery Compartment CFL Prog. Unit	9526 028 ⁶	9526 028 ⁶	9526 028 ⁶	9526 028 ⁶
052	Motherboard 220v	7134 158 ^D	7134 158 ^D	7134 158 ^D	7134 158 ^D
056	Remote Ctrl WS	7133 380 ²³	7133 380 ²³	7133 380 ²³	7133 380 ²³
057	Remote Ctrl RS	7133 381 ²³	7133 381 ²³	7133 381 ²³	7133 381 ²³
058	Mixing Valve Actuator Kit	n.a. ^{n.a.}	n.a. ^{n.a.}	7133 390 ⁴⁷	7133 390 ⁴⁷
060	Connector 3-Pole Mixing Valve Motor	7404 435 ⁴	7404 435 ⁴	7404 435 ⁴	7404 435 ⁴
072	Data Connection Cable, 5M	n.a. ^{n.a.}	7814 624 ¹²	n.a. ^{n.a.}	7814 624 ¹²
073	Extension Cable, 6M	n.a. ^{n.a.}	7450 062 ¹²	n.a. ^{n.a.}	7450 062 ¹²
078	Flat Cable, HK1 185mm	7815 953 ⁷	7815 953 ⁷	7815 953 ⁷	7815 953 ⁷
079	Connecting Arm Mixing Valve Motor	5088 519 ⁴	5088 519 ⁴	n.a. ^{n.a.}	n.a. ^{n.a.}
080	Install. Instr. Dekamatik-HK1	5167 137 ^L	5167 137 ^L	5167 137 ^L	5167 137 ^L
081	Start-Up/Instal. Instr. Dekamatik-HK1	5167 139 ^L	5167 139 ^L	5167 139 ^L	5167 139 ^L
082	Operating Instr. Dekamatik-HK1	5167 138 ^L	5167 138 ^L	5167 138 ^L	5167 138 ^L
083	Install./Oper. Instructions	n.a. ^{n.a.}	n.a. ^{n.a.}	n.a. ^{n.a.}	n.a. ^{n.a.}
092	Base Plate Mixing Valve Motor	5271 000 ⁴	5271 000 ⁴	n.a. ^{n.a.}	n.a. ^{n.a.}
094	Motor Drive, 120V	9527 162 ¹³	9527 162 ¹³	n.a. ^{n.a.}	n.a. ^{n.a.}
096	Wall Mounting Fixture	n.a. ^{n.a.}	n.a. ^{n.a.}	7814 591 ¹⁹	7814 591 ¹⁹
097	Cover For Motor Module	n.a. ^{n.a.}	n.a. ^{n.a.}	n.a. ^{n.a.}	n.a. ^{n.a.}
098	Communication Module	n.a. ^{n.a.}	7450 560 ¹⁶	n.a. ^{n.a.}	7450 560 ¹⁶
099	Connecting Cable	7450 061 ⁸	7450 061 ⁸	7450 061 ⁸	7450 061 ⁸
018	Accessory Pack (Small Parts)	n.a. ^{n.a.}	n.a. ^{n.a.}	n.a. ^{n.a.}	n.a. ^{n.a.}
					continued

Dekamatik-HK1	7133 368 MV Mount	7133 369 MV Mount Comm	7133 371 Wall Mnt	7133 372 Wall Mnt Comm
----------------------	-----------------------------	----------------------------------	-----------------------------	----------------------------------

General Info Price List / Product Cat. Section: 3.4
 Series Name: Dekamatik (6/1997 - 6/2006)

Accurate as of: 07/01/2012

Parts List

Please refer to: Parts List

Pos. Description Part Numbers / Price Categories

100	Power/Pump Ctrl Module	n.a. <small>n.a.</small>	n.a. <small>n.a.</small>	n.a. <small>n.a.</small>	n.a. <small>n.a.</small>
101	Circuit Board, Pump Ctrl Mod.	n.a. <small>n.a.</small>	n.a. <small>n.a.</small>	n.a. <small>n.a.</small>	n.a. <small>n.a.</small>
103	Photoelectric Sensor	n.a. <small>n.a.</small>	n.a. <small>n.a.</small>	n.a. <small>n.a.</small>	n.a. <small>n.a.</small>
104	Sensor #17 (Return)	7450 042 ¹⁹	7450 042 ¹⁹	7450 042 ¹⁹	7450 042 ¹⁹

Notes:

- "n.a." indicates not applicable.
- "W" indicates wearing part (service).
- "L" indicates literature (no charge).
- "Kit" or "Other" indicates that this is not a Price Category item; contact Inside Sales for pricing.

Dekamatik-HK1	7133 370 MV Mount Univ	
----------------------	---------------------------	--

General Info	Price List / Product Cat. Section: Series Name:	3.4 Dekamatik	(6/1997 - 6/2006)
---------------------	--	------------------	---------------------

Accurate as of: 07/01/2012

Parts List

Please refer to: Parts List
Pos. Description

Part Numbers / Price Categories

001	Transparent Cover HK1	7811 037 ⁵			
006	Terminal Compartment Cover HK1	7814 594 ⁶			
009	Hinged Cover CFL Prog. Unit	7815 906 ⁶			
011	Control Housing	n.a. ^{n.a.}			
012	Mounting Plate Comfortrol HK1	7811 038 ³			
013	Motor Module	n.a. ^{n.a.}			
017	Wall-Mount Base w Blank Cover	7133 385 ²²			
019	Mounting Screw Set Trimatik-MC/RN, HK	7408 833 ⁵			
020 W	Fuse, 4A (Pkg of 10)	7404 364 ⁶			
024	Screw Cap f Fuse (R)	7815 427 ⁴			
025	Comfortrol Programming Unit	7133 383 ³⁹			
031	Sensor #5 (Dhw)	7450 633 ¹⁹			
034	Sensor #2 Strap-On KW2/KW3/HK1	7183 288 ¹⁹			
035	Electronic Proces. Board	7823 417 ¹⁹			
036, 037	Cable Guide Set	7415 197 ⁵			
040	Sensor #1 (Outdoor)	7820 148 ¹⁹			
044	Room Temp. Sensor	7133 379 ²⁰			
049	Battery Compartment CFL Prog. Unit	9526 028 ⁶			
052	Motherboard 220v	7134 158 ^D			
056	Remote Ctrl WS	7133 380 ²³			
057	Remote Ctrl RS	7133 381 ²³			
058	Mixing Valve Actuator Kit	n.a. ^{n.a.}			
060	Connector 3-Pole Mixing Valve Motor	7404 435 ⁴			
072	Data Connection Cable, 5M	n.a. ^{n.a.}			
073	Extension Cable, 6M	n.a. ^{n.a.}			
078	Flat Cable, HK1 185mm	7815 953 ⁷			
079	Connecting Arm Mixing Valve Motor	5088 519 ⁴			
080	Install. Instr. Dekamatik-HK1	5167 137 ^L			
081	Start-Up/Instal. Instr. Dekamatik-HK1	5167 139 ^L			
082	Operating Instr. Dekamatik-HK1	5167 138 ^L			
083	Install./Oper. Instructions	5167 161 ^L			
092	Base Plate Mixing Valve Motor	5271 000 ⁴			
094	Motor Drive, 120V	9527 162 ¹³			
096	Wall Mounting Fixture	n.a. ^{n.a.}			
097	Cover For Motor Module	n.a. ^{n.a.}			
098	Communication Module	n.a. ^{n.a.}			
099	Connecting Cable	7450 061 ⁸			
018	Accessory Pack (Small Parts)	7404 465 ⁵			
					continued

Dekamatik-HK1	7133 370 MV Mount Univ	
---------------	---------------------------	--

General Info Price List / Product Cat. Section: 3.4
 Series Name: Dekamatik (6/1997 - 6/2006)

Accurate as of: 07/01/2012

Parts List

Please refer to: Parts List

Pos. Description Part Numbers / Price Categories

100	Power/Pump Ctrl Module	9544 308 ³⁴			
101	Circuit Board, Pump Ctrl Mod.	9544 150 ²⁸			
103	Photoelectric Sensor	9543 830 ³⁹			
104	Sensor #17 (Return)	7450 042 ¹⁹			

Notes:

- "n.a." indicates not applicable.
- "W" indicates wearing part (service).
- "L" indicates literature (no charge).
- "Kit" or "Other" indicates that this is not a Price Category item;

Additional Information

Parts List

Parts

- 001 Transparent cover
- 006 Cover for terminal compartment
- 009 Hinged cover for Comfortrol programming unit
- 011 Programming module
- 012 Mounting plate for programming unit
- 013 Motor module for mixing valve motor, assembly (with items 036, 037, 060 and 079)*1
- 017 Wall mounting fixture for programming unit*1
- 019 Fastening screw
- 020 Fuse T 4 A/120 V~
- 024 Screw cap for fuse
- 025 Comfortrol programming unit
- 032 Limit thermostat*1
- 033 Strap-on temperature sensor*1
- 034 Supply temperature sensor and return temperature sensor without connector*1
- 035 Electronics board
- 036 Strain relief clamp (top)
- 037 Strain relief clamp (bottom)
- 040 Outdoor temperature sensor
- 044 Room temperature sensor*1
- 049 Battery compartment (without batteries)
- 052 Mother board
- 055 Not applicable
- 056 WS remote control unit*1
- 057 RS remote control unit*1
- 058 Mixing valve motor*1
- 059 Case for room temperature sensor*1
- 060 Connector, 3-pole (for mixing valve motor)
- 061 Power supply connection cable
- 072 Connecting cable*1
- 073 Extension cable*1
- 078 Flat cable
- 079 Lever for mixing valve motor
- 092 Base plate
- 094 Drive module
- 096 Wall mounting fixture for Dekamatik-HK 1
- 097 Cover for motor module
- 098 Communication module*1
- 099 Connecting cable

Not illustrated

080 Installation Instructions

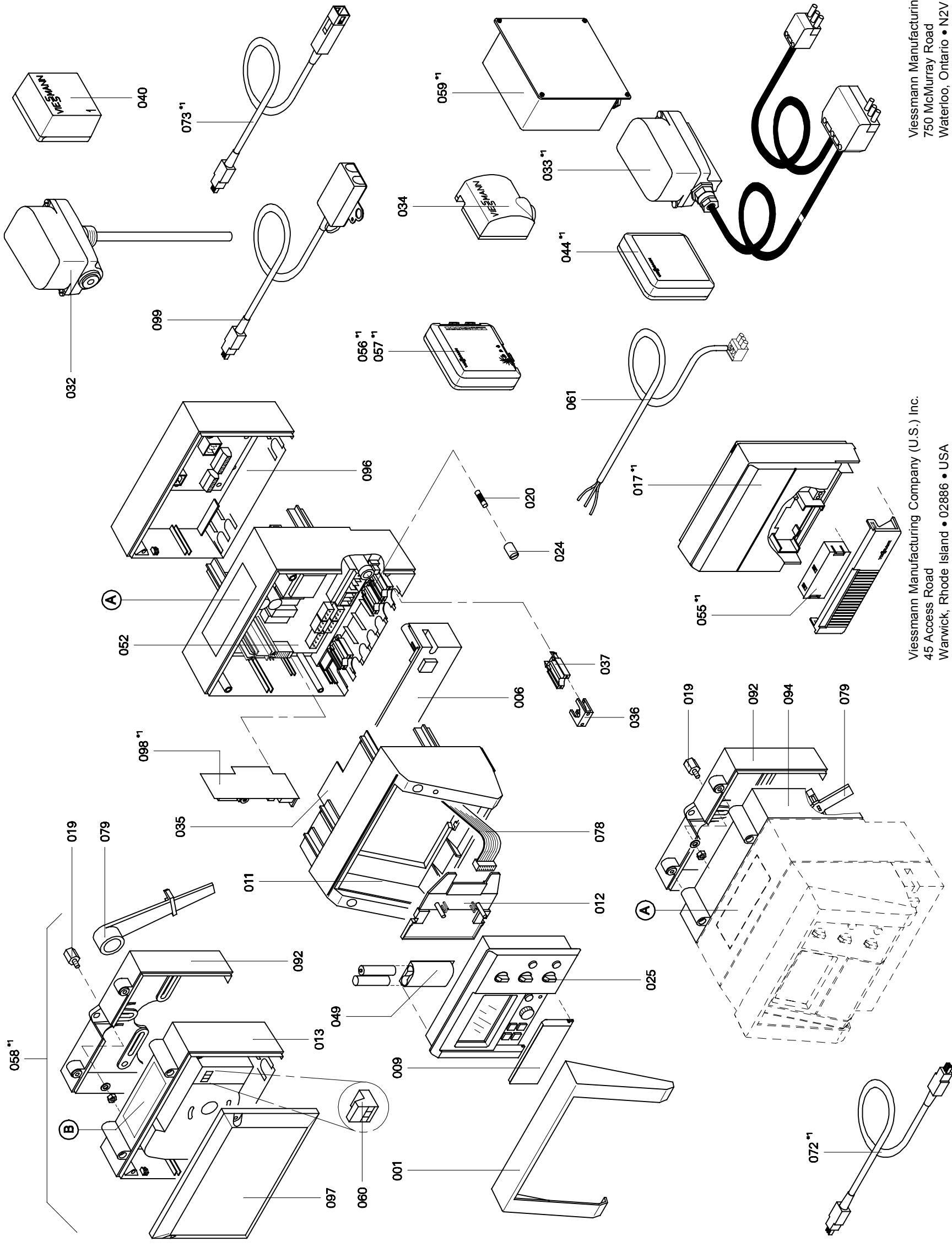
081 Operating Instructions

084 Start-up and Service Instructions

Ⓐ Dekamatik-HK 1 rating plate

Ⓑ Mixing valve motor rating plate

*1 Available as accessory.



Viessmann Manufacturing Company (U.S.) Inc.
45 Access Road
Warwick, Rhode Island • 02886 • USA
Tel. (401) 732-0667 • Fax (401) 732-0590
www.viessmann-us.com • mail@viessmann-us.com

Viessmann Manufacturing Company Inc.
750 McMurray Road
Waterloo, Ontario • N2V 2G5 • Canada
Tel. (519) 885-6300 • Fax (519) 885-0887
www.viessmann.ca • mail@viessmann.ca

Technical information subject to change without notice.



	Comfortrol 7133 383	
--	--------------------------------	--

General Info Price List / Product Cat. Section: 3
 Series Name: (6/1998 -)

Accurate as of: 07/01/2012

Parts List

Please refer to: Parts List

Pos. Description Part Numbers / Price Categories

003	Access. Pack (3 Dials) CFL Prog. Unit	7404 504 ⁴			
009	Hinged Cover CFL Prog. Unit	7815 906 ⁶			
023	Battery Compartment CFL Prog. Unit	9526 028 ⁶			
085	Parts List Comfortrol	5265 492 ^L			
086	Label, BLK/GRY Circuit A: _____...	5167 288 ^{n.a.}			
095	Comfortrol Programming Unit	7133 383 ³⁹			

Notes:

"n.a." indicates not applicable.

"W" indicates wearing part (service).

"L" indicates literature (no charge).

"Kit" or "Other" indicates that this is not a Price Category item; contact Inside Sales for pricing.

Please file in Service Binder

Comfortrol Programming Unit Part No. 7133 383

Ordering Replacement Parts:

Please provide Part No. and Position No. (from this Parts List) when ordering replacement parts.

Order replacement parts from your Viessmann distributor.

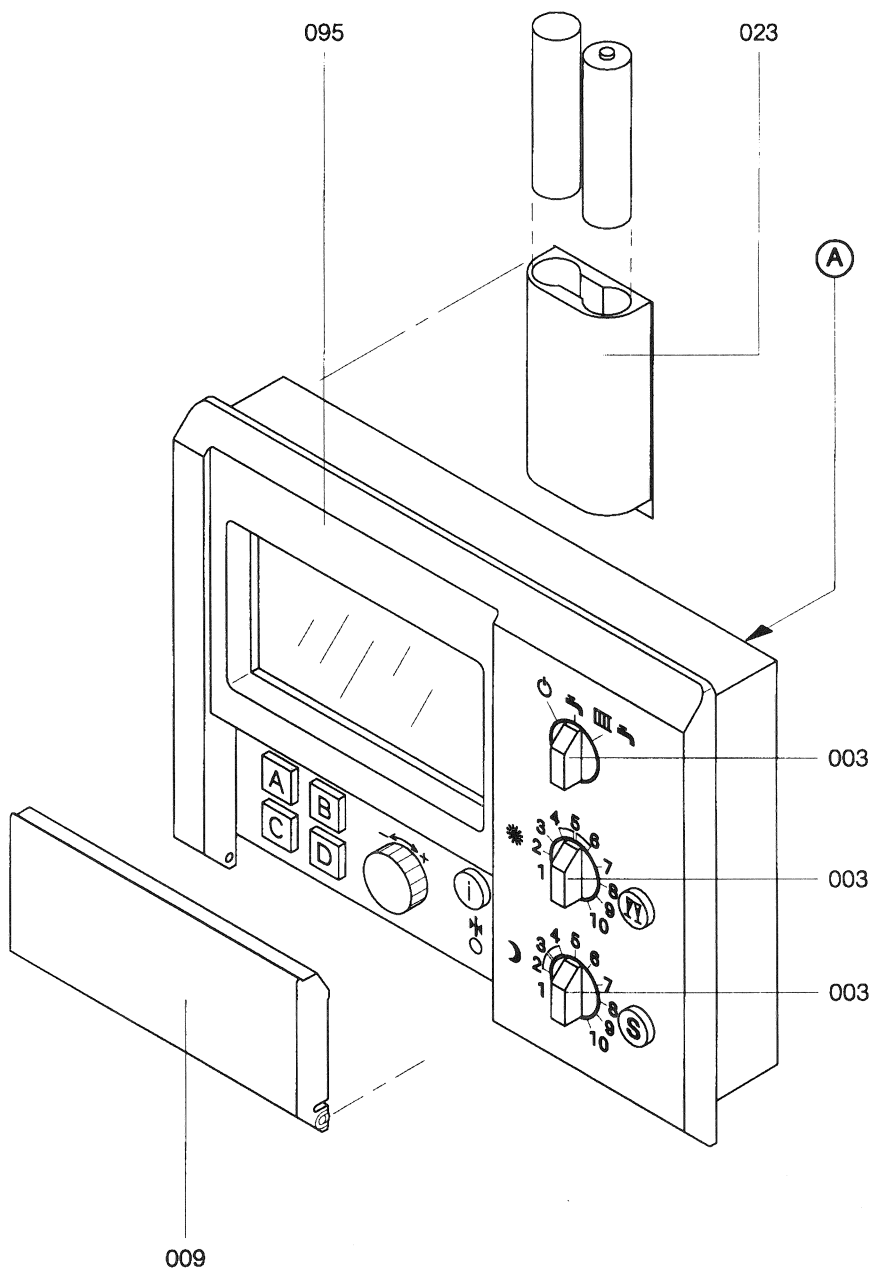
Parts

- 003 Dials (three) for Comfortrol programming unit
- 009 Cover Comfortrol programming unit
- 023 Battery case (batteries must be field supplied)
- 095 Comfortrol programming unit

Other parts (not illustrated)

- 085 Parts List

Ⓐ Rating Plate



Accessories

Accessories	KM-BUS Exp. Module	
--------------------	-------------------------------	--

General Info Price List / Product Cat. Section: 3
 Series Name: (11/2000 -)

Accurate as of: 07/01/2012

Parts List

Please refer to: Parts List

Pos. Description Part Numbers / Price Categories

001	KM-BUS Expan. Module	7133 393 ¹⁹			
016	Housing, Universal (Lg)	7819 020 ¹²			
055	Circuit Board	7819 021 ¹²			
071	KM-BUS Comm. Cable #17	7819 022 ⁹			
080	Install. Instr. KM-BUS Expansion Module	5167 497 ^L			
085	Parts List KM-BUS Expansion Module	5167 498 ^L			

Notes:

"n.a." indicates not applicable.

"W" indicates wearing part (service).

"L" indicates literature (no charge).

"Kit" or "Other" indicates that this is not a Price Category item; contact Inside Sales for pricing.

Vitocontrol-S WB2B	7424 344	
---------------------------	-----------------	--

General Info	Price List Section:	2	
	Parts Catalog Section	13	
	Series Name:	MW2 (NR2)	(07/2009 - present)
	Applies to serials nos. beginning with:	7248235...	
	Accurate as of:	07/01/2012	

Parts List

Please refer to: Parts List
Pos. Description

Part Numbers / Price Categories

Pos.	Description	Part Numbers / Price Categories			
001	Hinges	7820 180 ³			
008	Support Arm	7820 175 ⁵			
011	Power Module (wired)	7820 366 ¹⁰			
013	Front Housing	7820 177 ¹²			
014	Circuit Board Enclosure	7820 173 ¹⁰			
015	Flip-Down Cover	7820 181 ¹⁰			
016	Rear Housing	7820 178 ¹²			
017	Wall Console	7151 941 ¹⁴			
018	Programming Unit	7823 986 ³¹			
019	Flip-Down Cover	7819 307 ⁵			
020	Front Cover (Htg Circuits)	7818 622 ⁹			
021	Flat Cable, 14-Pole	7819 320 ⁶			
024	Fuse Holder Cover	7819 313 ³			
025	Fuse Holder	7819 312 ⁴			
038	Switch, 2-Pole (Power On/Off)	7819 315 ⁷			
040	Sensor #1	7820 148 ¹⁹			
043	Sensor #5 (DHW w 5.8m cable)	7450 633 ¹⁹			
047	LON Module	7172 174 ³²			
048	Circuit Board (m.v. exp)	7829 790 ²⁰			
049	Motherboard (ctl, low voltage)	7820 290 ²³			
050	Circuit Board (ctl software)	7828 195 ²¹			
051	Diagnostics Module (Optolink)	7820 165 ¹⁰			
052	Motherboard (ctl, line voltage)	7820 185 ¹⁹			
054	Circuit Board (120V pwr supply)	7823 991 ²²			
055	Motherboard (m.v. exp)	7820 193 ¹⁹			
069	Sensor #2 (Immersion NI500)	7184 197 ²⁰			
074	Harness f Prog.Unit	7820 174 ⁵			
080	Install./Serv. Instr. Vitotronic 100/300	5414 553 ^L			
081	Operating Instr. Vitotronic 100/300	5414 554 ^L			
082	Parts List Vitocontrol-S	5414 555 ^L			
092 W	Fuse, 6.3A/250V (Pkg of 10)	7404 365 ⁶			
093	Connecting Cable (7m), LON	7143 495 ¹³			
094	LON Terminal Resistor (2 Pieces)	7143 497 ^{Other}			
100	Access. Pack (Low Volt.Plugs)	7415 058 ⁷			
108	Access. Pack (Plugs 143,145,146)	7817 231 ⁷			
200	Adaptor, 120V Valve	7134 560 ²⁴			
201	Adaptor, 24V Valve	7134 559 ²⁷			

Notes:

- "n.a." indicates not applicable.
- "W" indicates wearing part (service).
- "L" indicates literature (no charge).
- "Kit" or "Other" indicates that this is not a Price Category item; contact Inside Sales for pricing.
- "D" indicates discontinued.

VITOCONTROL-S WB2A

		7134 327	7134 517	
General Info	Price List Section:	2.6		
	Parts Catalog Section	13		
	Applies to serials nos. beginning with:	1/2003 - 9/2004 10/2004 - 07/2009		
	Accurate as of:	07/01/2012		

Parts List

Please refer to: Parts List

Pos. Description Part Numbers / Price Categories

001	Cascade Control Replacement, 12VAC	7134 626 ⁷⁴	7134 626 ⁷⁴		
002	Data Cable (2-Wire BUS)	7174 994 ¹³	7174 994 ¹³		
003	Sensor #2 (Strap-On)	7818 115 ²⁰	7818 115 ²⁰		
004	Sensor #1 (Outdoor)	7818 116 ¹⁹	7818 116 ¹⁹		
100	Switch, 2-Pole	7373 075 ¹⁴	n.a. ^{n.a.}		
101	Fuse, 8A Class CC	7373 077 ⁷	n.a. ^{n.a.}		
102	Fuse, 0.25A Time Del. (Pkg of 3)	7373 078 ⁶	n.a. ^{n.a.}		
103	Relay, 12V SPDT	7373 079 ⁷	n.a. ^{n.a.}		
104	Transformer, 120/12v-20VA	7373 080 ¹⁰	n.a. ^{n.a.}		
105	Circuit Board (pwr supply)	n.a. ^{n.a.}	7373 081 ²⁵		
106	Fuse, 63mA/250V BRN (Pkg of 5)	n.a. ^{n.a.}	9571 991 ⁷		
107	Fuse, 6.3A/250V BRN (Pkg of 5)	n.a. ^{n.a.}	7822 610 ⁷		
108	Installation, Start-up and Service Instructions	5285 526 ^L	5285 781 ^L		
109	Operating Instructions	5285 565 ^L	5285 565 ^L		

Notes:

"n.a." indicates not applicable.

"W" indicates wearing part (service).

"L" indicates literature (no charge).

"Kit" or "Other" indicates that this is not a Price Category item; contact Inside Sales for pricing.

VITOCELL 100-VH

VITOCELL 100-BH

Vitocell 100	with magnesium anode protection	NCVA-79 7512 947	NCVA-120 7494 859	NCVB-79 7494 860	NCVB-120 7494 861
	with electronic anode protection	NCVA-300 7512 948	NCVA-450 7512 949	NCVB-300 7512 950	NCVB-450 7512 951

General Info	Price List Section:	4.1	
	Parts Catalog Section	14	(7/2012 -)
	Series Name:	NCVA	NCVB
	Accurate as of:	11/21/2012	

Parts List

Please refer to: Parts List

Pos. Description Part Numbers / Price Categories

001	W	Consumable Anode	7495 038 ²⁰	7495 039 ²²	7495 038 ²⁰	7495 039 ²²
002	W	Chain Anode	7838 632 ²⁶	7838 633 ²⁸	7838 632 ²⁶	7838 633 ²⁸
003		Electronic Anode, 240V	7495 040 ³⁹	7495 040 ³⁹	7495 040 ³⁹	7495 040 ³⁹
004		Top Panel	7838 634 ¹³	7838 635 ¹⁴	7838 634 ¹³	7838 635 ¹⁴
005		Thermometer, Deg. C/F	7837 629 ¹⁴	7837 629 ¹⁴	7837 629 ¹⁴	7837 629 ¹⁴
006		Insulation Jacket	7495 045 ²⁹	7495 046 ²⁹	7495 045 ²⁹	7495 046 ²⁹
007		Temp. & Pr.Rel Valve 3/4 x 3/4" 150PSI	7837 627 ¹¹	7837 627 ¹¹	7837 627 ¹¹	7837 627 ¹¹
008		Thermostatic Controller	7837 626 ¹¹	7837 626 ¹¹	7837 626 ¹¹	7837 626 ¹¹
009		Electric Heating Element, 240V	7494 868 ²¹	7494 868 ²¹	7494 868 ²¹	7494 868 ²¹
010		Front Cover incl. Insulation	7495 043 ¹²	7495 043 ¹²	7495 043 ¹²	7495 043 ¹²
011		Flange	7495 047 ¹²	7495 047 ¹²	7495 047 ¹²	7495 047 ¹²
012		Gasket	7495 048 ¹⁰	7495 048 ¹⁰	7495 048 ¹⁰	7495 048 ¹⁰
013		Adjustable Feet (Set of 3)	7495 049 ¹⁴	7495 049 ¹⁴	7495 049 ¹⁴	7495 049 ¹⁴
020		Drain Valve	7837 628 ⁹	7837 628 ⁹	7837 628 ⁹	7837 628 ⁹
021		Installation/Operation/Service Instr.	5603 408 ^L	5603 408 ^L	5603 408 ^L	5603 408 ^L
022		Parts List	5603 409 ^L	5603 409 ^L	5603 409 ^L	5603 409 ^L

Notes:

"n.a." indicates not applicable.

"W" indicates wearing part (service).

"L" indicates literature (no charge).

"Kit" or "Other" indicates that this is not a Price Category item; contact Inside Sales for pricing.

Parts List



VITOCELL 100-VH

NCVA Series

Magnesium Anode Tanks	Part No.
NCVA 79 USG / 300L	7512 947
NCVA 120 USG / 450L	7494 859

Electronic Anode Tanks	Part No.
NCVA 79 USG / 300L	7512 948
NCVA 120 USG / 450L	7512 949

VITOCELL 100-BH

NCVB Series
with solar connections

Magnesium Anode Tanks	Part No.
NCVB 79 USG / 300L	7494 860
NCVB 120 USG / 450L	7494 861

Electronic Anode Tanks	Part No.
NCVB 79 USG / 300L	7512 950
NCVB 120 USG / 450L	7512 951

Ordering Parts:

Please provide Model and Serial Number from rating plate (A) when ordering replacement parts. Order replacement components from your Viessmann distributor.

Parts

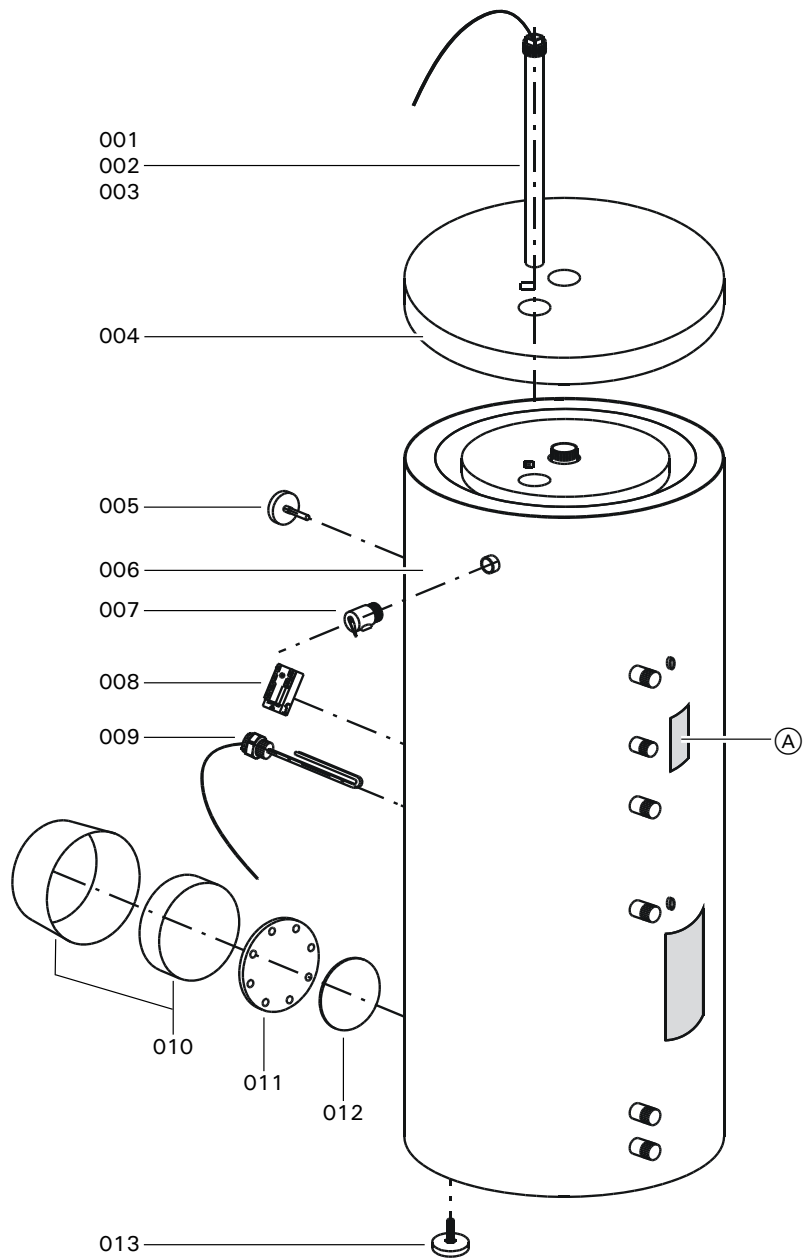
- 001 Magnesium anode rod
- 002 Magnesium anode chain
- 003 Electronic anode, 240V
- 004 Top panel
- 005 Thermometer
- 006 Insulation jacket
- 007 Temperature and pressure relief valve, 150 psig
- 008 Thermostatic controller *1
- 009 Electric heating element, 240V *1
- 010 Front cover with insulation
- 011 Flange
- 012 Gasket
- 013 Leveling feet (set of 3)

Other Parts (not illustrated)

- 020 Drain valve
- 021 Installation/Operation and Service Instructions
- 022 Parts List

(A) Rating plate

*1 Sold as optional equipment.



Some componentry may not be exactly as illustrated.

VITOCCELL-H 100

Vitocell-H 100	CHA-42	CHA-53	USG
	CHA-160	CHA-200	Liters

General Info

Price List / Product Cat. Section: 4.1
 Series Name: CHA (11/2000 -)

Versions: Canadian Market and US Market identical
 Accurate as of: 07/01/2012

Shipping Overview

Level 1	Price List	7133 428	7133 429
---------	------------	----------	----------

VITOCCELL-H 100

Vitocell-H 100	CHA-42	CHA-53	USG
	CHA-160	CHA-200	Liters

General Info	Price List Section:	4.1	
	Parts Catalog Section	14	(11/2000 -)
	Series Name:	CHA	
	Applies to serials nos. beginning with:	7133428...	7133429...
	Accurate as of:	07/01/2012	

Parts List

Please refer to: Parts List

Pos. Description Part Numbers / Price Categories

Pos.	Description	Part Numbers	Price Categories
001	Top Panel	7823 574 ¹⁶	7823 575 ¹⁷
002	Side Panel (Left/Right)	7333 724 ¹⁵	7827 260 ¹⁶
003	Panel Plug	7819 256 ³	7819 256 ³
004	Positioning Plugs (Set Of 2)	7338 930 ³	7338 930 ³
005	Strain Relief	7819 661 ⁴	7819 661 ⁴
006	Rear Panel	5335 618 ¹²	5335 618 ¹²
007	Leveling Foot (Each)	7819 544 ⁴	7819 544 ⁴
008	Base Panel	5335 623 ¹⁶	5335 624 ¹⁶
009 W	Gasket	7819 647 ⁷	7819 647 ⁷
010	Spacer Ring	7819 648 ⁷	7819 648 ⁷
011	Consumable Anode (Rod)	7819 698 ¹⁴	7819 699 ¹⁵
012	Flange	7818 049 ²¹	7818 050 ²²
013	Insulation Ring	5138 977 ⁴	5138 977 ⁴
014	Panel Plug w Lamallae	7819 229 ²	7819 229 ²
015	Front Panel	7824 064 ¹⁹	7824 064 ¹⁹
016	Panel Cap	7819 534 ³	7819 534 ³
017 a	Thermometer, Deg. F	7334 599 ⁸	7334 599 ⁸
017 b	Thermometer, Deg. C	7334 598 ⁸	7334 598 ⁸
017 c	Thermometer, Deg. C/F	9543 566 ⁸	9543 566 ⁸
018	Decorative Stripe	7819 535 ⁵	7819 535 ⁵
019	Temp. & Pr.Rel Valve 3/4 x 3/4" 150PSI	9543 979 ¹⁸	9543 979 ¹⁸
020	Install. Instr. Vitocell-H 100, CHA	5167 514 ^L	5167 514 ^L
022	Start-Up/Serv. Instr. Vitocell-H 100	5167 515 ^L	5167 515 ^L
023	Oper. Instr./User's Info CHA/CVA	5167 516 ^L	5167 516 ^L
024	Touch-UP Spray Paint Vitotec SIL	7819 545 ⁹	7819 545 ⁹
025	Touch-UP Paint Stk Vitotec SIL	7819 546 ⁵	7819 546 ⁵
026	Nameplate Vitocell 100	7819 228 ³	7819 228 ³
027	Access. Pack (Fr.Panel Hardw.)	7819 773 ⁸	7819 773 ⁸

Notes:

"n.a." indicates not applicable.

"W" indicates wearing part (service).

"L" indicates literature (no charge).

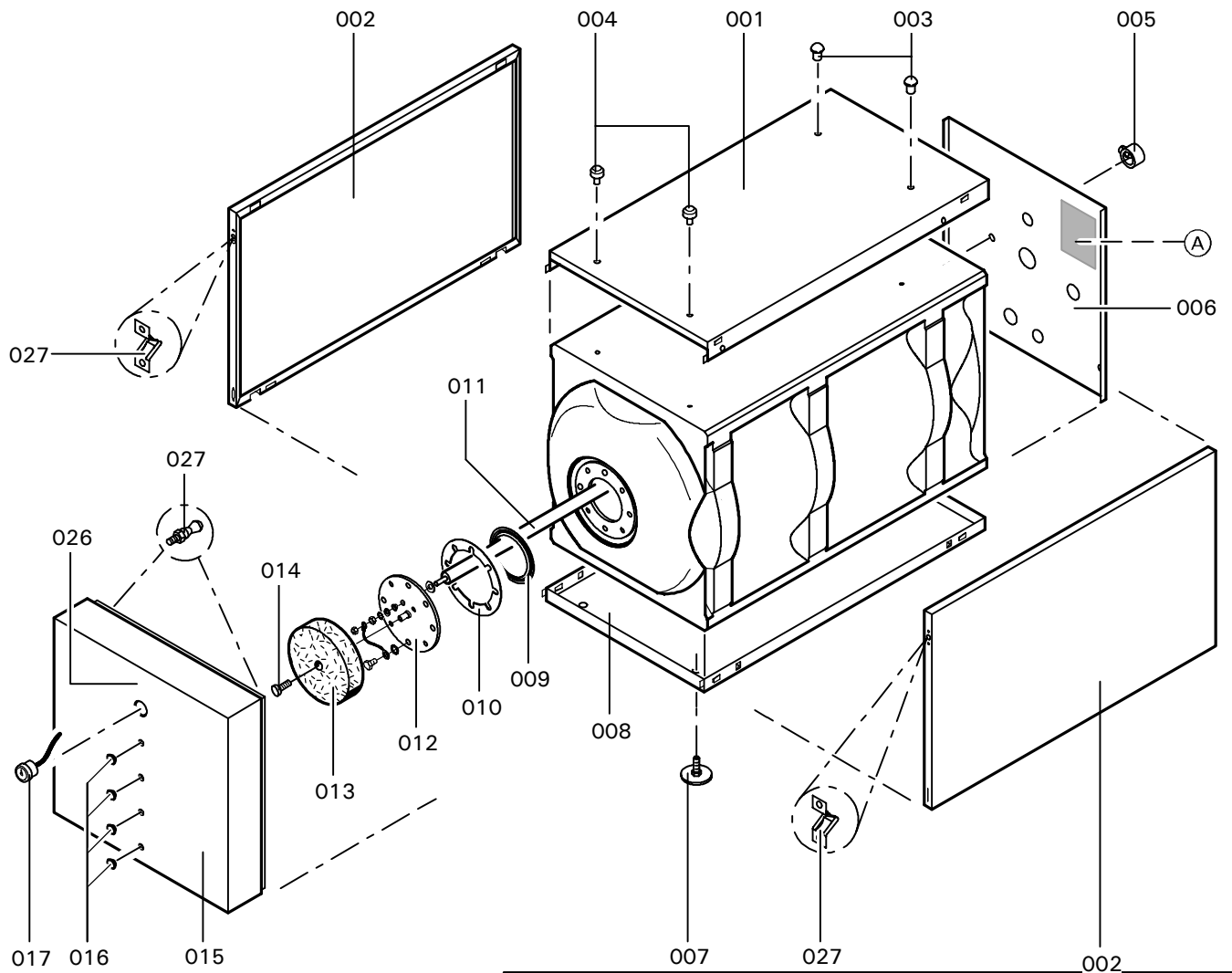
"Kit" or "Other" indicates that this is not a Price Category item; contact Inside Sales for pricing.

VITOCELL 100 CHA Series

Model No.	Serial No.
CHA 42USG / 160L	7133428□□□□□□□□
CHA 53USG / 200L	7133429□□□□□□□□

Ordering Replacement Parts:
Please provide tank Model and Serial Number from rating plate when ordering replacement parts. Order replacement components from your Viessmann distributor.

Please file in Service Binder



VITOCCELL-V 100

VITOCCELL-B 100

Vitocell 100 USG	CVA-42	CVA-53	CVA-79	CVA-120		CVB-79	CVB-120
Liters	CVA-160	CVA-200	CVA-300	CVA-450		CVB-300	CVB-450

General Info	Price List / Product Cat. Section:	4.1
	Series Name:	CVA, CVB
	Versions:	Canadian Market and US Market identical
	Accurate as of:	07/01/2012

Shipping Overview	
11/2000 - 12/2001	Version 1.0 (w top-mounted pressure relief valve) 7133 430 7133 431 7133 432 7133 433
12/2001 - 9/2003	Version 1.1 (w rear-mounted pressure relief valve) 7134 160 7134 161 7134 162 7134 163
9/2003 - present	Version 1.2 (w rear-mounted pressure relief valve) 7134 160 7134 161 7134 162 2002 407 7134 448 Z005985
Cylinder	7134 411 7160 486
Jkt	7134 412 7160 489
3/2012 - present	ZK00427 ZK00428
Cylinder	7510 398 7510 400
Jkt	7510 399 7510 401

VITOCELL-V 100

Vitocell-V 100	CVA-42	CVA-53	CVA-79	CVA-120
	CVA-160	CVA-200	CVA-300	CVA-450
	7133 430	7133 431	7133 432	7133 433
	7134 160	7134 161	7134 162	7134 163

General Info	Price List Section:	4.1			
	Parts Catalog Section	15			
	Applies to serials nos. beginning with:	7133430...	7133431...	7133432...	7133433...
		7134160...	7134161...	7134162...	7134163...
	Accurate as of:	07/01/2012			

Parts List

Please refer to: Parts List

Pos. Description Part Numbers / Price Categories

001	Spacer Ring	7819 648 ⁷	7819 648 ⁷	7819 648 ⁷	7819 648 ⁷
002 W	Gasket	7819 647 ⁷	7819 647 ⁷	7819 647 ⁷	7819 647 ⁷
003	Flange, Front	n.a. ^{n.a.}	n.a. ^{n.a.}	7820 025 ¹⁶	7820 025 ¹⁶
004 a	Flange, Top - for serial nos. beginning with 7133	7820 027 ²⁸	7820 027 ²⁸	7820 028 ²²	7820 029 ²³
004 b	Flange, Top - for serial nos. beginning with 7134	7151 917 ²⁸	7151 917 ²⁸	7820 028 ²²	7820 029 ²³
005	Sensor Mounting Hrdwr	7819 654 ⁵	7819 654 ⁵	7819 654 ⁵	7819 654 ⁵
006	Clamping Bracket	7818 061 ³	7818 061 ³	7818 061 ³	7818 061 ³
007	Leveling Foot (Each)	7819 544 ⁴	7819 544 ⁴	7819 544 ⁴	7819 544 ⁴
008 a	Thermometer, Deg. F	7334 599 ⁸	7334 599 ⁸	7334 599 ⁸	7334 599 ⁸
008 b	Thermometer, Deg. C	7334 598 ⁸	7334 598 ⁸	7334 598 ⁸	7334 598 ⁸
008 c	Thermometer, Deg. C/F	9543 566 ⁸	9543 566 ⁸	9543 566 ⁸	9543 566 ⁸
009	Cover Strip	7819 510 ⁶	7819 511 ⁶	n.a. ^{n.a.}	n.a. ^{n.a.}
010	Insulation Blkt, Top	7817 228 ⁸	7817 228 ⁸	7817 228 ⁸	7817 228 ⁸
011	Top Panel (No Hole)	7823 447 ¹⁶	7823 447 ¹⁶	7817 804 ¹⁴	7817 804 ¹⁴
012	Insulation f Cover	n.a. ^{n.a.}	n.a. ^{n.a.}	7811 311 ³	7811 311 ³
013	Cover, Front	n.a. ^{n.a.}	n.a. ^{n.a.}	7819 515 ¹²	7819 516 ¹³
014	Consumable Anode (Rod)	7819 651 ¹³	7819 651 ¹³	7819 652 ¹⁴	7819 653 ¹⁵
015	Nameplate Viessmann (Vito, Curved)	7819 230 ⁵	7819 230 ⁵	7819 230 ⁵	7819 230 ⁵
016	Nameplate Vitocell 100 (Vito, Curved)	7818 348 ⁵	7818 348 ⁵	7818 348 ⁵	7818 348 ⁵
018	Temp. & Pr.Rel Valve 3/4 x 3/4" 150PSI	9543 979 ¹⁸	9543 979 ¹⁸	9543 979 ¹⁸	9543 979 ¹⁸
019	Brass Extension, 3/4 x 5"	9549 932 ^D	9549 932 ^D	9549 932 ^D	9549 932 ^D
020	Hex Bushing	n.a. ^{n.a.}	n.a. ^{n.a.}	9560 480 ⁷	9560 481 ⁹
021	Brass Tee, 3/4"	9549 933 ⁷	9549 933 ⁷	9560 478 ¹²	9641 019 ¹²
050	Install. Instr. Vitocell-V 100, CVA	5167 519 ^L	5167 519 ^L	5167 519 ^L	5167 519 ^L
051 a	Start-Up/Instal. Instr. CVA V1.0	5167 520 ^L	5167 520 ^L	5167 520 ^L	5167 520 ^L
051 b	Start-Up/Instal. Instr. CVA V1.1	5285 234 ^L	5285 234 ^L	5285 234 ^L	5285 234 ^L
052	Oper. Instr./User's Info CHA/CVA	5167 516 ^L	5167 516 ^L	5167 516 ^L	5167 516 ^L
053	Touch-UP Spray Paint Vitotec SIL	7819 545 ⁹	7819 545 ⁹	7819 545 ⁹	7819 545 ⁹
054	Touch-UP Paint Stk Vitotec SIL	7819 546 ⁵	7819 546 ⁵	7819 546 ⁵	7819 546 ⁵

Notes:

"n.a." indicates not applicable.

"W" indicates wearing part (service).

"L" indicates literature (no charge).

"Kit" or "Other" indicates that this is not a Price Category item; contact Inside Sales for pricing.

"D" indicates discontinued.

VITOCELL-V 100

Vitocell-V 100	CVA-120 CVA-450 Z002 407		CVA-120 CVA-450 ZK00427	
----------------	--------------------------------	--	-------------------------------	--

General Info	Price List Section:	4.1		
	Parts Catalog Section	15		
	Series Name:	CVA		
	Applies to serials nos. beginning with:	7134412...	7510399...	
	Accurate as of:	07/01/2012		

Parts List

Please refer to: Parts List

Pos.	Description	Part Numbers / Price		Part Numbers / Price	
002 W	Gasket	7819 647 ⁷		7819 647 ⁷	
003	Flanged Cover with Gasket	7817 821 ¹²		7817 821 ¹²	
004	Flange, Top	7820 029 ²³		7820 029 ²³	
005	Sensor Mounting Hardware	7819 654 ⁵		7819 654 ⁵	
006	Clamping Bracket	7818 061 ³		7818 061 ³	
007	Leveling Bolt	7818 798 ⁴		7818 798 ⁴	
008 a	Thermometer, Deg. F	7334 599 ⁸		7334 599 ⁸	
008 b	Thermometer, Deg. C	7334 598 ⁸		7334 598 ⁸	
008 c	Thermometer, Deg. C/F	9543 566 ⁸		9543 566 ⁸	
009	Insulation Blkt-bottom	7822 245 ¹⁰		7822 245 ¹⁰	
010	Insulation Blkt II-top	7822 244 ¹⁰		7822 244 ¹⁰	
011	Top Panel	7822 243 ¹⁵		7822 243 ¹⁵	
013	Front Cover c/w Insul	7822 247 ¹¹		7822 247 ¹¹	
014 W	Consumable Anode (Rod)	7819 653 ¹⁵		7819 653 ¹⁵	
015	Nameplate Viessmann (Vito, Curved)	7819 230 ⁵		7819 230 ⁵	
017	Insulation Cover	7822 251 ⁴⁶		7822 251 ⁴⁶	
018	Cover c/w Insul, CVA 450L	7822 252 ⁸		7822 252 ⁸	
019	Insulation Blkt I-top	7822 329 ¹⁰		7822 329 ¹⁰	
020	Install. Instr. Vitocell-V 100, CVA	5167 519 ^L		5167 519 ^L	
022	Parts List Vitocell-V 100, CVA	5167 522 ^L		5167 522 ^L	
023 a	Start-Up/Instal. Instr. CVA V1.0	5167 520 ^L		5167 520 ^L	
023 b	Start-Up/Instal. Instr. CVA V1.1	5285 234 ^L		5285 234 ^L	
024	Oper. Instr./User's Info CHA/CVA/CVB	5167 516 ^L		5167 516 ^L	
028	Thermometer Cover	7820 231 ⁴		7820 231 ⁴	
050	Installation Fittings	7134 267 ³⁹		7134 267 ³⁹	
051	Brass Adaptor, 1" Male NPT-Fem.BSPT	9560 788 ⁹		9560 788 ⁹	
052	Brass Adaptor, 1-1/4" Male NPT-Fem.BSPT	9560 789 ¹¹		9560 789 ¹¹	
053	Temp. & Pr.Rel Valve 3/4 x 3/4" 150PSI	9543 979 ¹⁸		9543 979 ¹⁸	

Notes:

"n.a." indicates not applicable.

"W" indicates wearing part (service).

"L" indicates literature (no charge).

"Kit" or "Other" indicates that this is not a Price Category item; contact Inside Sales for pricing.

"D" indicates discontinued.

Parts List



VITOCCELL-V 100 CVA Series

with top-mounted pressure relief valve

7133 430	42 USG / 160 ltr
7133 431	53 USG / 200 ltr
7133 432	79 USG / 300 ltr
7133 433	120 USG / 450 ltr

Ordering Replacement Parts:

Please provide boiler Model and Serial Number from rating plate when ordering replacement parts. Order replacement components from your Viessmann distributor.

Parts

- 001 Spacer ring
- 002 Gasket
- 003 Flange, front
- 004 Flange, top
- 005 Sensor mounting hardware
- 006 Clamping bracket
- 007 Leveling foot
- 008 Thermometer
- 009 Cover strip
- 010 Insulation blanket top
- 011 Top panel
- 012 Insulation for cover
- 013 Front cover
- 014 Consumable anode
- 015 Viessmann nameplate
- 016 Vitocell 100 nameplate
- 018 Temperature and pressure relief valve
- 019 Extension fitting (5" / 127 mm)

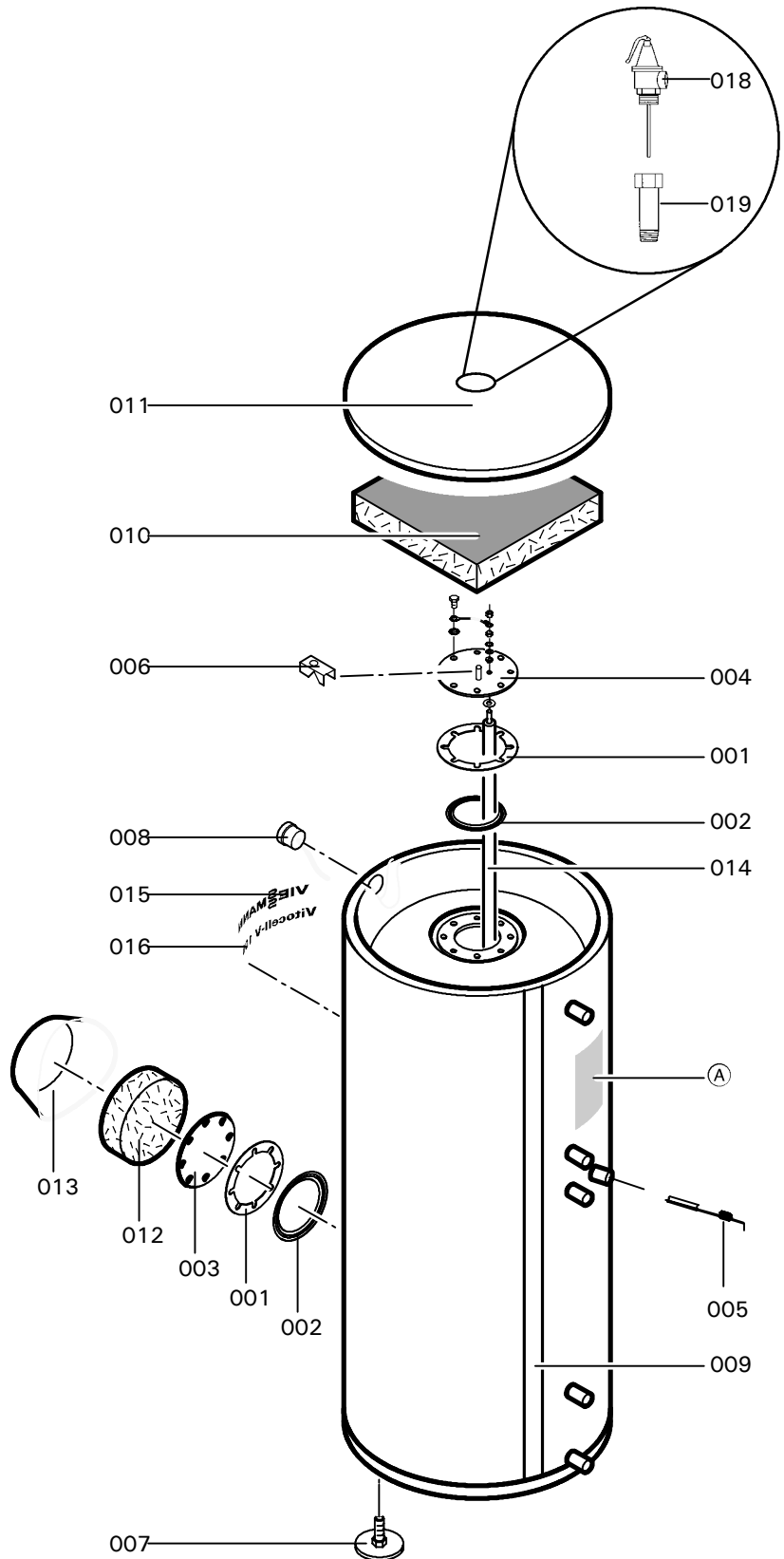
Other Parts (not illustrated)

- 050 Installation Instructions
- 051 Start-up/Service Instructions
- 052 Operating Instructions and User's Information Manual
- 053 Spray paint, vitosilver
- 054 Touch-up pen, vitosilver

Wear Parts

- 002 Gasket
- 014 Consumable anode

Ⓐ Rating plate



Please file in Service Binder

VITOCCELL-V 100

CVA Series

with rear-mounted pressure relief valve

7134 160	42 USG / 160 ltr
7134 161	53 USG / 200 ltr
7134 162	79 USG / 300 ltr
7134 163	120 USG / 450 ltr

Parts

- 001 Spacer ring
- 002 Gasket
- 003 Flange, front
- 004 Flange, top
- 005 Sensor mounting hardware
- 006 Clamping bracket
- 007 Leveling foot
- 008 Thermometer
- 009 Cover strip
- 010 Insulation blanket top
- 011 Top panel
- 012 Insulation for cover
- 013 Front cover
- 014 Consumable anode
- 015 Viessmann nameplate
- 016 Vitocell 100 nameplate
- 018 Temperature and pressure relief valve
- 020 Reducer bushing (only applicable to models CVA-79 and -120 USG)
- 021 Tee

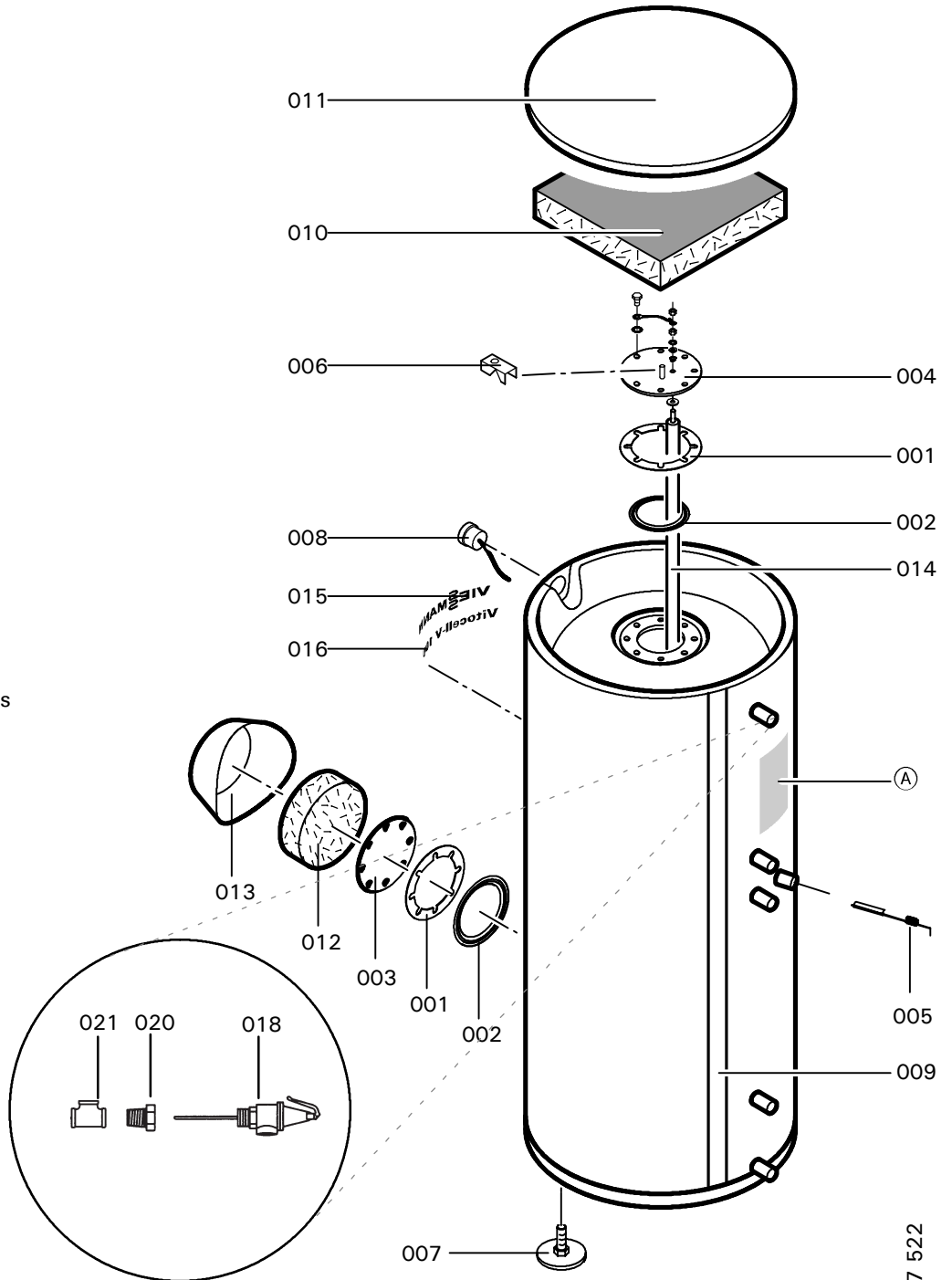
Other Parts (not illustrated)

- 050 Installation Instructions
- 051 Start-up/Service Instructions
- 052 Operating Instructions and User's Information Manual
- 053 Spray paint, vitosilver
- 054 Touch-up pen, vitosilver

Wear Parts

- 002 Gasket
- 014 Consumable anode

Ⓐ Rating plate



VITOCELL-V 100

CVA Series

with rear-mounted pressure relief valve
and vinyl wrap-around insulation jacket
Z002 407 120 USG / 450 ltr

Parts

- 002 Gasket
- 003 Flanged cover c/w gasket
- 004 Flange, top
- 005 Sensor mounting hardware
- 006 Clamping bracket
- 007 Leveling bolt
- 008 Thermometer
- 009 Insulation blanket, bottom
- 010 Insulation blanket II, top
- 011 Top panel
- 013 Front cover c/w insulation
- 014 Consumable anode (rod)
- 015 Nameplate, "Viessmann"
- 017 Insulation cover
- 018 Cover c/w insulation
- 019 Insulation blanket I, top
- 028 Thermometer cover

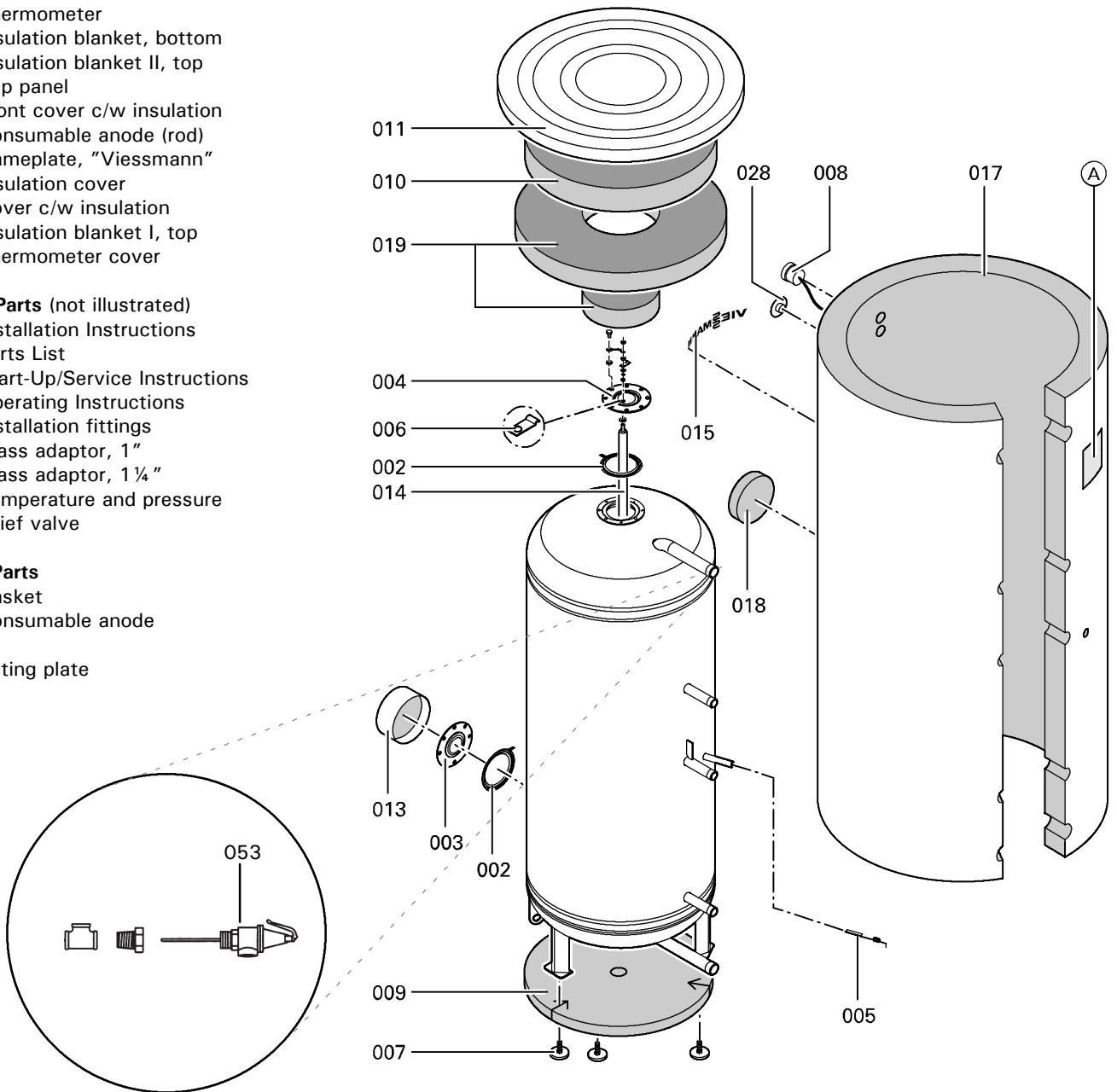
Other Parts (not illustrated)

- 020 Installation Instructions
- 022 Parts List
- 023 Start-Up/Service Instructions
- 024 Operating Instructions
- 050 Installation fittings
- 051 Brass adaptor, 1"
- 052 Brass adaptor, 1 1/4"
- 053 Temperature and pressure relief valve

Wear Parts

- 002 Gasket
- 014 Consumable anode

Ⓐ Rating plate



VITOCELL-B 100

Vitocell-B 100	CVB-79 CVB-300 7134 448	CVB-120 CVB-450 Z005 985	USG Liters
-----------------------	---	--	-----------------------------

General Info	Price List Section:	4.1
	Parts Catalog Section:	15
	Series Name:	CVB
	Applies to serials nos. beginning with:	7134448... 7160489...
	Accurate as of:	07/01/2012

Parts List

Please refer to: Parts List
Pos. Description

002 W	Gasket	7819 647 ⁷	7819 647 ⁷	
003	Flanged Cover with Gasket (002)	7817 821 ¹²	7817 821 ¹²	
004	Anode Flange with Gasket (002) / Anode (007a)	7823 194 ¹⁵	7823 195 ¹⁶	
005	Sensor Mounting Hardware	7819 654 ⁵	7819 654 ⁵	
006	Clamping Bracket	7818 061 ³	7818 061 ³	
007 a W	Consumable Anode (top, rod)	7823 192 ¹⁴	7823 193 ¹⁵	
007 b W	Consumable Anode (top, chain)	7265 133 ²²	7265 133 ²²	
008	Levelling Bolt (each)	7818 798 ⁴	7818 798 ⁴	
009 a	Thermometer, °C	7334 598 ⁸	7334 598 ⁸	
009 b	Thermometer, °F	7334 599 ⁸	7334 599 ⁸	
009 c	Thermometer, °C/°F	9543 566 ⁸	9543 566 ⁸	
010	Thermometer Cover	7820 231 ⁴	7820 231 ⁴	
011	Insulation Blkt II-top	7823 572 ⁴	7822 244 ¹⁰	
012	Top Panel (No Hole)	7817 804 ¹⁴	7822 243 ¹⁵	
013	Insulation f Cover	7811 311 ³	n.a. ^{n.a.}	
014	Front Cover	7819 515 ¹²	7822 247 ¹¹	
016	Plug 1 ¼ "	7819 664 ⁸	7819 664 ⁸	
017	Cover	7819 414 ¹⁰	7822 252 ⁸	
024	Touch-UP Spray Paint Vitotec, SIL	7819 545 ⁹	n.a. ^{n.a.}	
025	Touch-UP Paint Stk Vitotec SIL	7819 546 ⁵	n.a. ^{n.a.}	
026	Nameplate Viessmann (Vito, Curved)	n.a. ^{n.a.}	7819 230 ⁵	
027	Nameplate Vitocell 100 (Vito, Curved)	7818 348 ⁵	n.a. ^{n.a.}	
029	Grommet	7818 522 ³	n.a. ^{n.a.}	
030	Elbow	7810 494 ⁸	7810 494 ⁸	
031	Sensor Well	7819 676 ⁹	7822 257 ⁹	
034	Insulation Blkt-bottom	n.a. ^{n.a.}	7822 245 ¹⁰	
035	Insulation Cover	n.a. ^{n.a.}	7822 251 ⁴⁶	
036	Insulation Blkt I-top	n.a. ^{n.a.}	7822 329 ¹⁰	
047	Elbow c/w Sensor Well	7175 213 ¹¹	7175 214 ¹¹	
100	Install. Instr., CVB	5285 658 ^L	5285 658 ^L	
101	Start-Up/Service Instr., CVB	5285 234 ^L	5285 234 ^L	
102	Oper. Instr./User's Info CHA/CVA	5167 516 ^L	5167 516 ^L	
103	Parts List, CVB	5285 660 ^L	5285 660 ^L	
104	Install. Instr. Supp. Inst. Fitt CVB/EVB	5285 549 ^L	5285 549 ^L	
200	Installation Fittings	7134 387 ⁴⁰	7160 483 ³⁹	
201	Temp. + Pr.Rel Valve ¾" x ¾" 150PSI	9543 979 ¹⁸	9543 979 ¹⁸	

Notes:

"n.a." indicates not applicable.

"W" indicates wearing part (service).

"L" indicates literature (no charge).

"Kit" or "Other" indicates that this is not a Price Category item; contact Inside Sales for pricing.

Parts List



VITOCCELL-B 100 CVB Series

Model No. Serial No.
79USG / 300L 7134448□□□□□□□□□□

Ordering Replacement Parts:

Please provide tank Model and Serial Number from rating plate when ordering replacement parts. Order replacement components from your Viessmann distributor.

Parts

- 003 Flanged cover with gasket (002)
- 004 Anode flange with gasket (002) and anode (007)
- 005 Sensor mounting hardware
- 006 Clamping bracket
- 008 Levelling bolt (each)
- 009 Thermometer
- 010 Thermometer cover
- 011 Insulation blanket, top
- 012 Top panel
- 013 Insulation for cover
- 014 Front cover
- 016 Plug, 1 1/4"
- 017 Cover
- 027 Nameplate Vitocell 100, curved
- 029 Grommet
- 030 Elbow
- 031 Sensor well

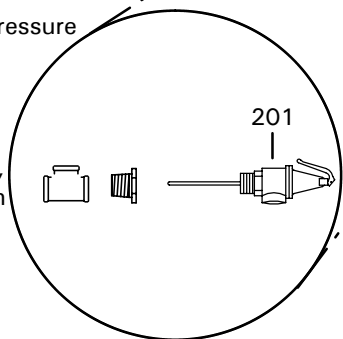
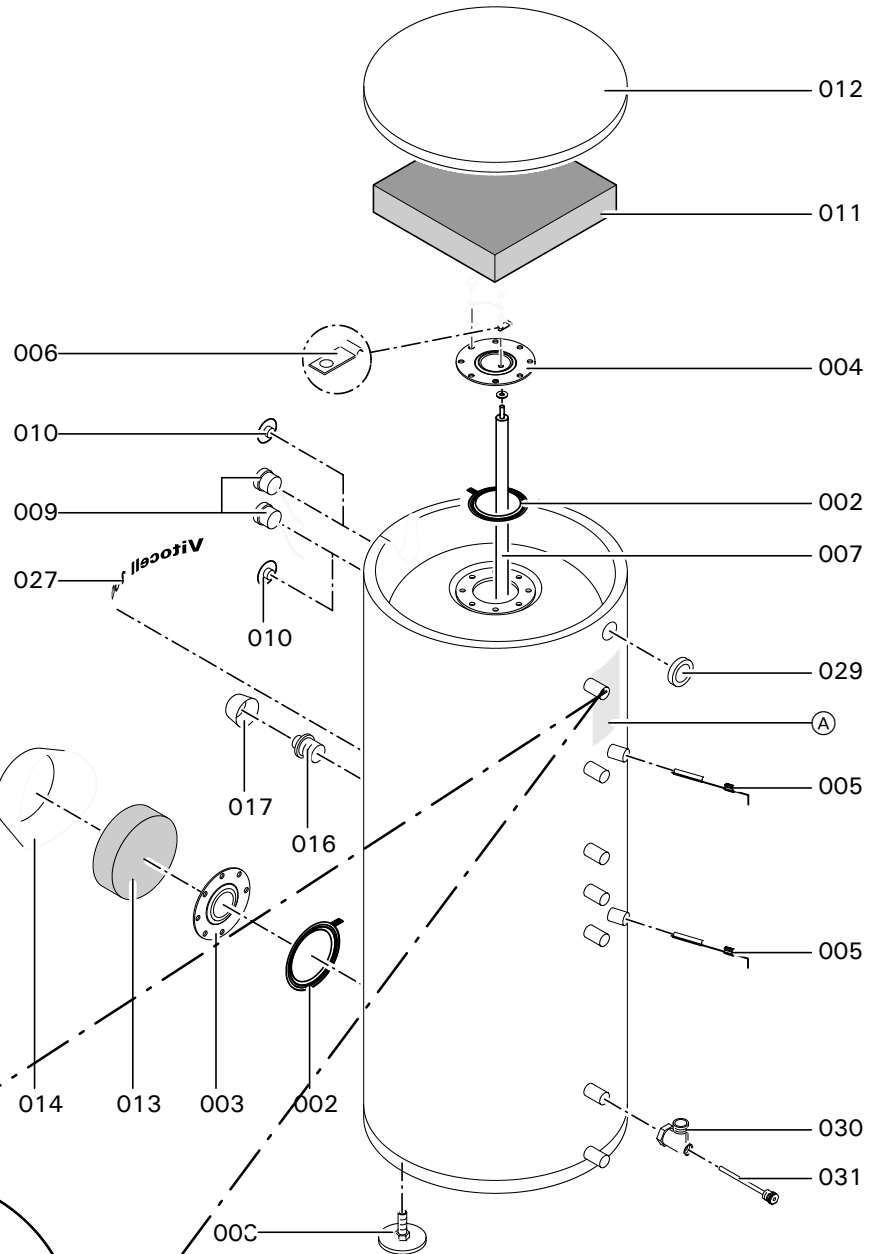
Other Parts (not illustrated)

- 024 Touch-up spray paint, Vitotec, silver
- 025 Touch-up paint stick, Vitotec silver
- 047 Elbow with sensor well (030 and 031)
- 100 Installation Instructions
- 101 Start-Up/Service Instructions
- 102 Operating Instructions and User's Information Manual
- 103 Parts List
- 104 Installation Instruction Supplement for Installation Fittings
- 200 Installation Fittings
- 201 Temperature and pressure relief valve

Wear Parts

- 002 Gasket
- 007 Consumable anode, in rod or chain form

(A) Rating plate



Please file in Service Binder

5285 660b 11/2007

VITOCELL-B 100

CVB Series

Model No. Serial No.
 120USG / 450L 7160489□□□□□□□□

Ordering Replacement Parts:

Please provide tank Model and Serial Number from rating plate when ordering replacement parts. Order replacement components from your Viessmann distributor.

Parts

- 003 Flanged cover with gasket (002)
- 004 Anode flange with gasket (002) and anode (007)
- 005 Sensor mounting hardware
- 006 Clamping bracket
- 008 Levelling bolt (each)
- 009 Thermometer
- 010 Thermometer cover
- 011 Insulation blanket, top
- 012 Top panel
- 013 Insulation for cover
- 014 Front cover
- 016 Plug, 1 ¼"
- 017 Cover
- 026 Nameplate Viessmann, curved
- 030 Elbow
- 031 Sensor well
- 034 Insulation blanket, bottom
- 035 Insulation cover
- 036 Insulation blanket, top

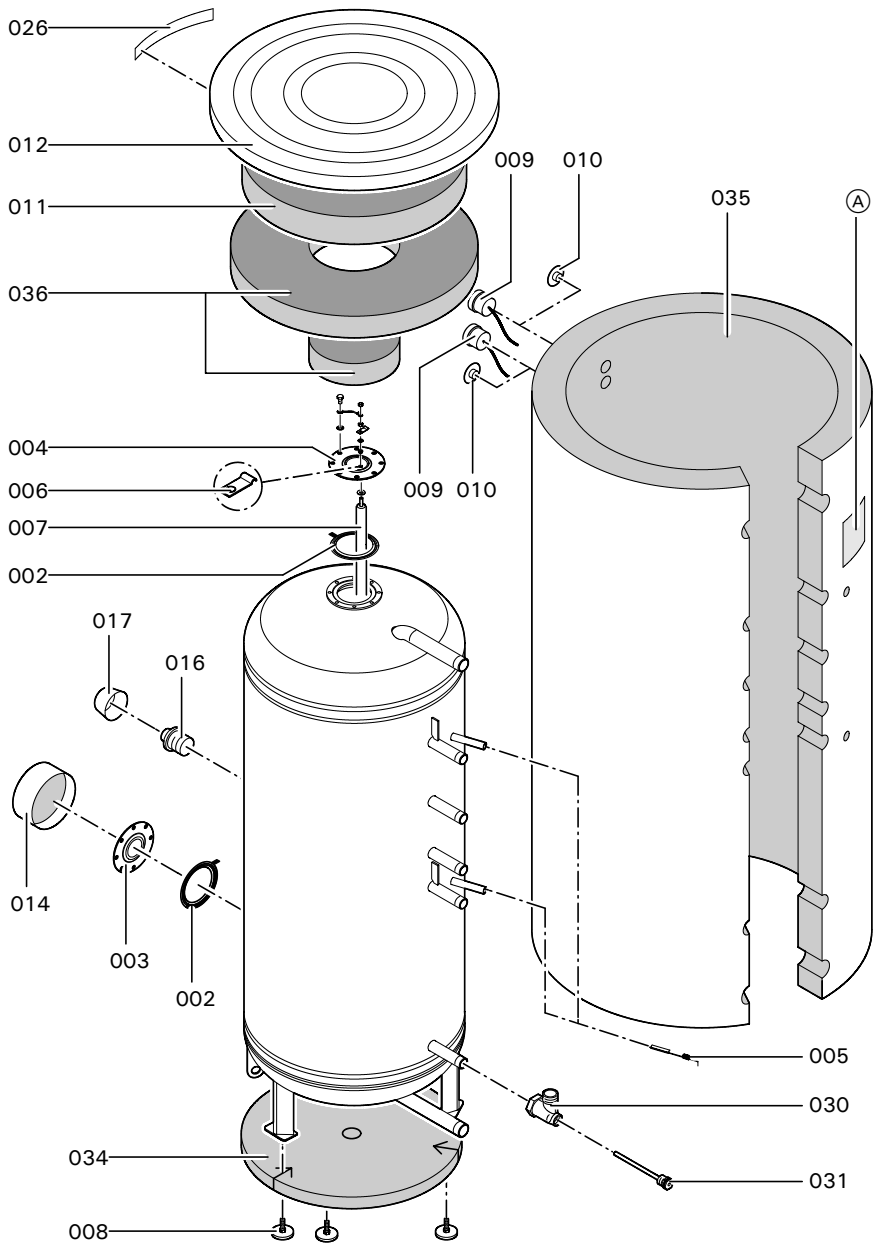
Other Parts (not illustrated)

- 047 Elbow with sensor well (030 and 031)
- 100 Installation Instructions
- 101 Start-Up/Service Instructions
- 102 Operating Instructions and User's Information Manual
- 103 Parts List
- 104 Installation Instruction Supplement for Installation Fittings
- 200 Installation Fittings
- 201 Temperature and pressure relief valve

Wear Parts

- 002 Gasket
- 007 Consumable anode, in rod or chain form

Ⓐ Rating plate



5285 660b

VITOCCELL-H 300

Vitocell-H 300	EHA-42	EHA-53	EHA-92	EHA-120	USG Liters
	EHA-160	EHA-200	EHA-350	EHA-450	

General Info	Price List / Product Cat. Section:	4.2
	Series Name:	EHA
	Versions:	Important: Canadian Market and US Market <i>unique</i>
	Accurate as of:	07/01/2012

Shipping Overview 6/2000 - 9/2003	Canadian Market
	7133 438 7133 439 7133 440 7133 441
	US Market
	7133 507 7133 508 7133 509 7133 510

9/2003 - present	Canadian Market
	7134 397 7134 398 7134 399 7134 400
	US Market
	7134 401 7134 402 7134 403 7134 404

VITOCCELL-H 300

Vitocell-H 300		EHA-42	EHA-53	
		EHA-160	EHA-200	
General Info	Price List Section:	4.2		
	Parts Catalog Section	16		(6/2000 -)
	Series Name:	EHA		
	Applies to serials nos. beginning with:	7265141...	7265143...	
	Accurate as of:	07/01/2012		

Parts List

Please refer to: Parts List

Pos. Description Part Numbers / Price Categories

001	Top Panel	7823 574 ¹⁶	7823 575 ¹⁷		
002	Side Panel (Left/Right)	7333 724 ¹⁵	7827 260 ¹⁶		
003	Panel Plug	7819 256 ³	7819 256 ³		
004	Positioning Plugs (Set Of 2)	7338 930 ³	7338 930 ³		
005	Insulation	5130 913 ⁵	5130 913 ⁵		
006	Rear Panel	5335 618 ¹²	5335 618 ¹²		
007	Leveling Foot (Each)	7819 544 ⁴	7819 544 ⁴		
008	Base Panel	7817 391 ¹⁷	7817 392 ¹⁷		
009 W	Gasket	7819 666 ⁶	7819 666 ⁶		
010	Dome Cover 4"	7819 646 ⁷	7819 646 ⁷		
011	Tank Cleanout Cov,4" NoPRV	7819 665 ¹³	7819 665 ¹³		
012	Insulation Ring	7824 731 ⁴	7824 731 ⁴		
013	Insulation f Cover	7811 311 ³	7811 311 ³		
014	Ribbed Mounting Bolt	9517 812 ³	9517 812 ³		
015	Front Panel	7824 064 ¹⁹	7824 064 ¹⁹		
016	Panel Cap	7819 534 ³	7819 534 ³		
017 a	Thermometer, Deg. C	7334 598 ⁸	7334 598 ⁸		
017 b	Thermometer, Deg. F	7334 599 ⁸	7334 599 ⁸		
017 c	Thermometer, Deg. C/F	9543 566 ⁸	9543 566 ⁸		
018	Decorative Stripe	7819 535 ⁵	7819 535 ⁵		
019	Spring Clip	7819 225 ²	7819 225 ²		
020	Nameplate Vitocell 300	7819 227 ⁴	7819 227 ⁴		
021	Access. Pack (Fr.Panel Hardw.)	7819 773 ⁸	7819 773 ⁸		
022	Brass Red.Coupling 1 - 1/2"	9583 048 ⁷	9583 048 ⁷		
023	Sensor Well, 1/2" x 400mm	7219 579 ¹⁷	7219 579 ¹⁷		
024	Sensor Mounting Hrdwr	7819 689 ⁶	7819 689 ⁶		
025	Insulation,Tk Snsr	7819 226 ⁴	7819 226 ⁴		
026	Install. Instr. Vitocell-H 300, EHA	5167 535 ^L	5167 535 ^L		
027	Start-Up/Service Instr. EHA	5167 536 ^L	5167 536 ^L		
028	Oper. Instr./User's Info EHA/EVI/CVB/EVB	5167 537 ^L	5167 537 ^L		
032	Parts List Vitocell-H 300, EHA	5167 538 ^L	5167 538 ^L		
029	Touch-UP Spray Paint Vitotec SIL	7819 545 ⁹	7819 545 ⁹		
030	Touch-UP Paint Stk Vitotec SIL	7819 546 ⁵	7819 546 ⁵		
031 CDN	Temp.& Pr.Rel Valve3/4x3/4" 100PSI	9543 803 ¹⁸	9543 803 ¹⁸		
031 USA	Temp. & Pr.Rel Valve 3/4 x 3/4" 150PSI	9543 979 ¹⁸	9543 979 ¹⁸		
050 CDN	Installation Fittings	7134 259 ³²	7134 259 ³²		
050 USA	Installation Fittings	7134 260 ³²	7134 260 ³²		

Notes:

"n.a." indicates not applicable.

"W" indicates wearing part (service).

"L" indicates literature (no charge).

"Kit" or "Other" indicates that this is not a Price Category item; contact Inside Sales for pricing.

VITOCELL 300 EHA Series 42 and 53 USG 160 and 200 ltr

Please file in Service Binder

Ordering Replacement Parts:

Please provide boiler Model and Serial Number from rating plate when ordering replacement parts. Order replacement components from your Viessmann distributor.

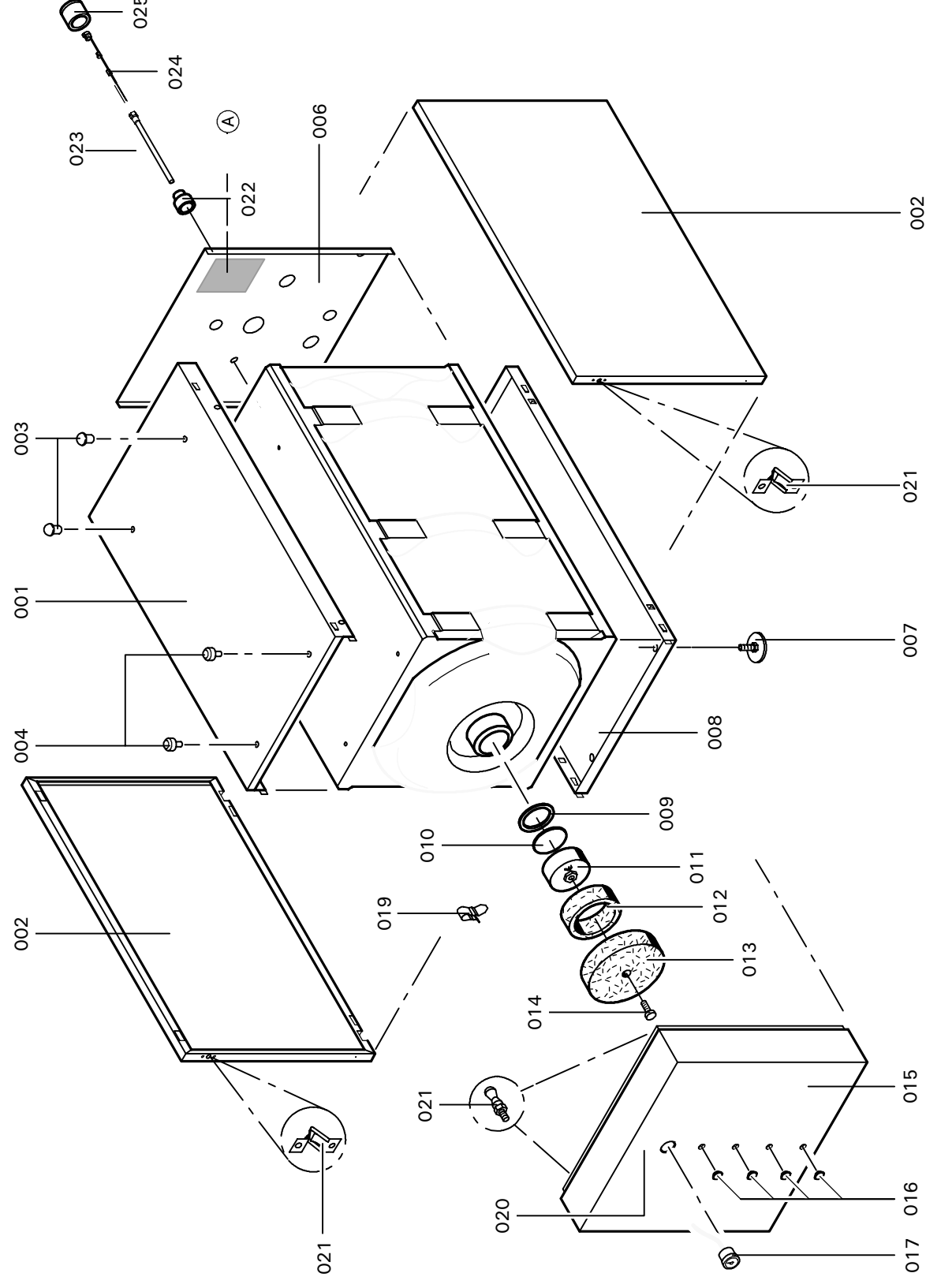
Parts

- 001 Top panel
- 002 Side panel (right/left)
- 003 Panel plug
- 004 Positioning plug (set of 2)
- 005 Insulation
- 006 Back panel
- 007 Leveling foot
- 008 Base panel
- 009 Gasket
- 010 Dome cover (with Pos. 009)
- 011 Tank clean-out cover, 4" (with Pos. 009 and 010)
- 012 Insulation ring
- 013 Insulation for cover
- 014 Ribbed mounting bolt
- 015 Front panel
- 016 Panel cap
- 017 Thermometer
- 019 Spring-clip to secure sensor
- 020 Nameplate
- 021 Mounting element (fittings package)
- 022 Reducing coupling R1¼ × R½
- 023 Sensor well
- 024 Sensor mounting hardware (with Pos. 024)
- 025 Insulation for sensor well

Other Parts (not illustrated)

- 018 Decorative stripe
- 026 Installation Instructions
- 027 Start-up/Service Instructions
- 028 Operating Instructions and User's Information Manual
- 029 Spray paint, vitosilver
- 030 Touch-up pen, vitosilver
- 031 Temperature and pressure relief valve
- 032 Parts List
- 050 Installation fittings

Ⓐ Rating plate



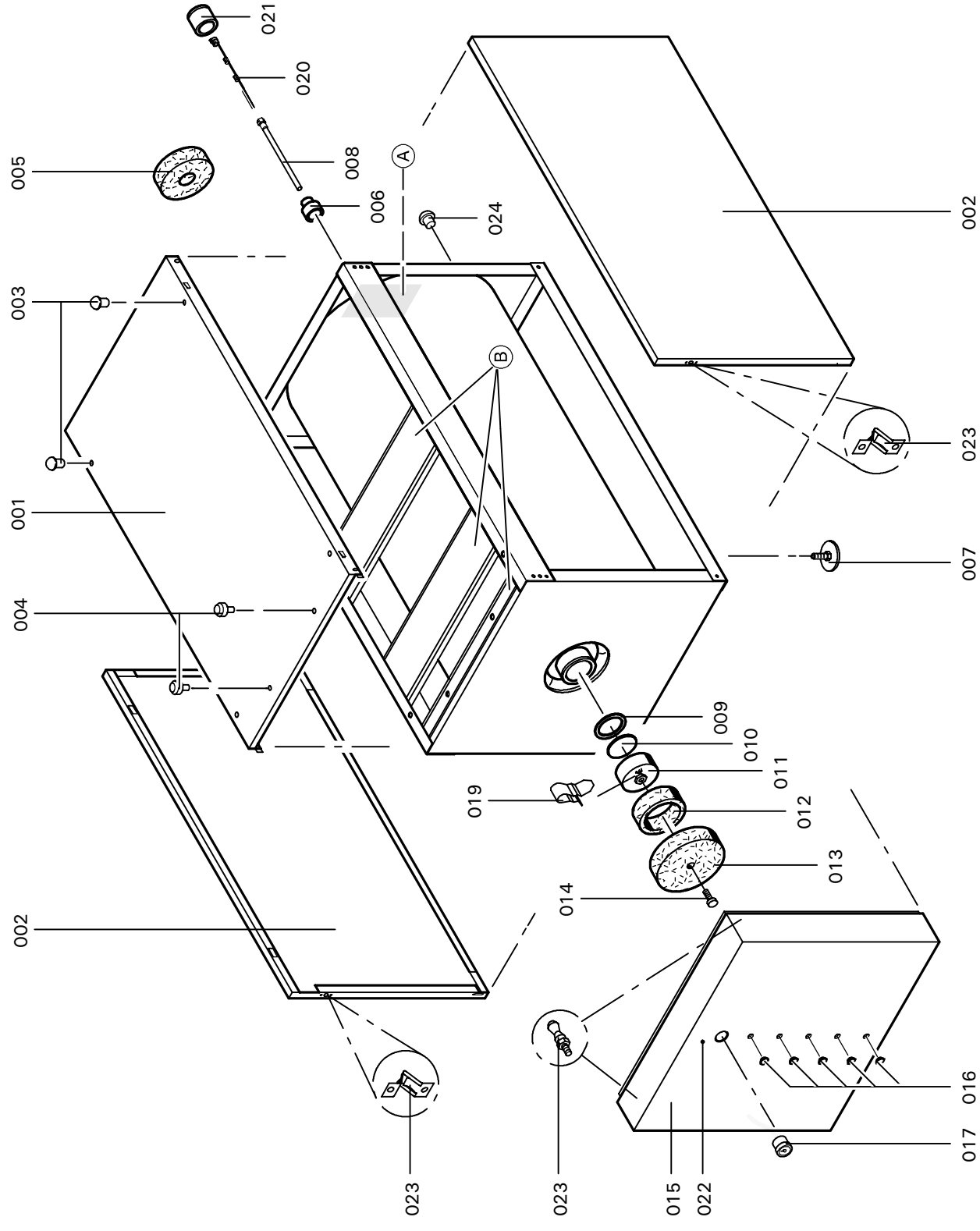
92 and 120 USG 350 and 450 ltr

Parts

- 001 Top panel
- 002 Side panel (right/left)
- 003 Panel plug
- 004 Positioning plug (set of 2)
- 005 Insulation
- 006 Reducing coupling R1 ¼ × R1½
- 007 Leveling foot
- 008 Sensor well
(with Pos. 020)
- 009 Gasket
- 010 Dome cover
(with Pos. 009)
- 011 Tank clean-out cover, 4"
(with Pos. 009 and 010)
- 012 Insulation ring
- 013 Insulation for cover
- 014 Ribbed mounting bolt
- 015 Front panel
- 016 Panel cap
- 017 Thermometer
- 019 Spring-clip to secure sensor
- 020 Sensor mounting hardware
- 021 Insulation for sensor well
- 022 Nameplate
- 023 Mounting element (fittings package)
- 024 Protective plug

Other Parts (not illustrated)

- 018 Decorative stripe
- 026 Installation Instructions
- 027 Start-up/Service Instructions
- 028 Operating Instructions
and User's Information Manual
- 029 Spray paint, vitosilver
- 030 Touch-up pen, vitosilver
- 031 Temperature and pressure
relief valve
- 032 Parts List
- 050 Installation fittings
- (A) Rating plate
- (B) Support bars
(only for 92 USG / 350 ltr model)



VITOCCELL-H 300

Vitocell-H 300		EHA-92	EHA-120	
		EHA-350	EHA-450	
General Info	Price List Section:	4.2		
	Parts Catalog Section	16 (6/2000 -)		
	Series Name:	EHA		
	Applies to serials nos. beginning with:	7265145...	7265147...	
	Accurate as of:	07/01/2012		

Parts List

Please refer to: Parts List

Pos. Description Part Numbers / Price Categories

001	Top Panel	7824 060 ¹⁷	7824 061 ¹⁸		
002	Side Panel (Left/Right)	7827 261 ¹⁹	7827 262 ¹⁹		
003	Panel Plug	7819 256 ³	7819 256 ³		
004	Positioning Plugs (Set Of 2)	7338 930 ³	7338 930 ³		
005	Insulation	5130 913 ⁵	5130 913 ⁵		
006	Coupling, Brass Red. 1-1/4 - 1/2"	7819 688 ⁷	7819 688 ⁷		
007	Leveling Foot (Each)	7819 544 ⁴	7819 544 ⁴		
008	Sensor Well, 1/2" x 400mm	7819 687 ¹⁶	7819 687 ¹⁶		
009 W	Gasket	7819 666 ⁶	7819 666 ⁶		
010	Dome Cover 4"	7819 646 ⁷	7819 646 ⁷		
011	Tank Cleanout Cov,4" NoPRV	7819 665 ¹³	7819 665 ¹³		
012	Insulation Ring	5131 684 ³	5131 684 ³		
013	Insulation f Cover	7811 311 ³	7811 311 ³		
014	Ribbed Mounting Bolt	9517 812 ³	9517 812 ³		
015	Front Panel	7824 062 ²⁰	7824 063 ²¹		
016	Panel Cap	7819 534 ³	7819 534 ³		
017 a	Thermometer, Deg. F	7334 599 ⁸	7334 599 ⁸		
017 b	Thermometer, Deg. C	7334 598 ⁸	7334 598 ⁸		
017 c	Thermometer, Deg. C/F	9543 566 ⁸	9543 566 ⁸		
018	Decorative Stripe	7819 535 ⁵	7819 535 ⁵		
019	Spring Clip	7819 225 ²	7819 225 ²		
020	Sensor Mounting Hrdwr	7819 689 ⁶	7819 689 ⁶		
021	Insulation,Tk Snsr	7819 226 ⁴	7819 226 ⁴		
022	Nameplate Vitocell 300	7819 227 ⁴	7819 227 ⁴		
023	Access. Pack (Fr.Panel Hardw.)	7819 773 ⁸	7819 773 ⁸		
024	Protective Plug	7819 233 ¹	7819 233 ¹		
026	Install. Instr. Vitocell-H 300, EHA	5167 535 ^L	5167 535 ^L		
027	Start-Up/Service Instr. EHA	5167 536 ^L	5167 536 ^L		
028	Oper. Instr./User's Info EHA/EVI/CVB/EVB	5167 537 ^L	5167 537 ^L		
032	Parts List Vitocell-H 300, EHA	5167 538 ^L	5167 538 ^L		
029	Touch-UP Spray Paint Vitotec SIL	7819 545 ⁹	7819 545 ⁹		
030	Touch-UP Paint Stk Vitotec SIL	7819 546 ⁵	7819 546 ⁵		
031 CDN	Temp.& Pr.Rel Valve3/4x3/4" 100PSI	9543 803 ¹⁸	9543 803 ¹⁸		
031 USA	Temp. & Pr.Rel Valve 3/4 x 3/4" 150PSI	9543 979 ¹⁸	9543 979 ¹⁸		
050 CDN	Installation Fittings	7134 255 ³¹	7134 256 ³²		
050 USA	Installation Fittings	7134 257 ³¹	7134 258 ³²		

Notes:

"n.a." indicates not applicable.

"W" indicates wearing part (service).

"L" indicates literature (no charge).

"Kit" or "Other" indicates that this is not a Price Category item; contact Inside Sales for pricing.

"D" indicates discontinued.

VITOCELL 300 EHA Series 42 and 53 USG 160 and 200 ltr

Please file in Service Binder

Ordering Replacement Parts:

Please provide boiler Model and Serial Number from rating plate when ordering replacement parts. Order replacement components from your Viessmann distributor.

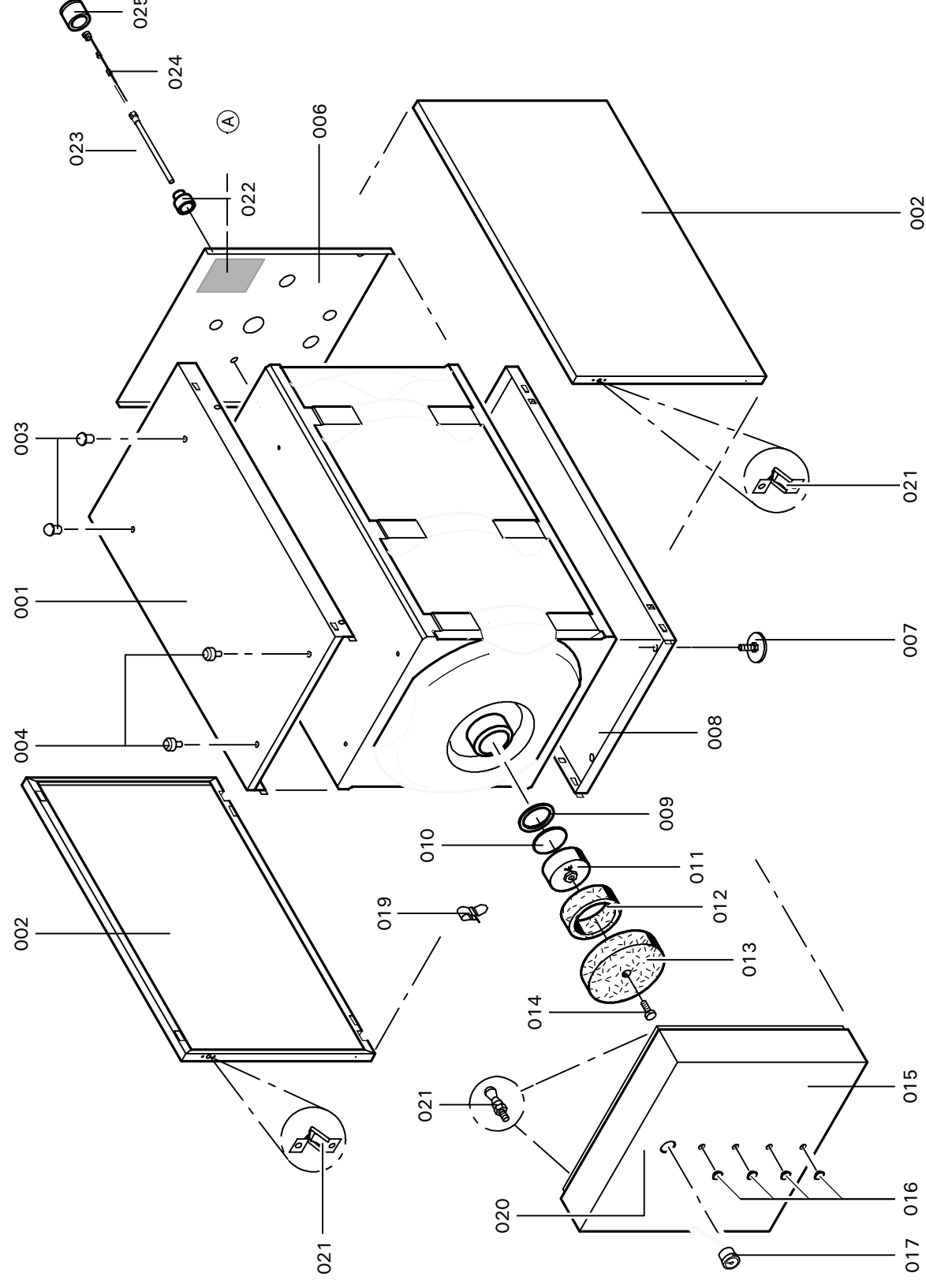
Parts

- 001 Top panel
- 002 Side panel (right/left)
- 003 Panel plug
- 004 Positioning plug (set of 2)
- 005 Insulation
- 006 Back panel
- 007 Leveling foot
- 008 Base panel
- 009 Gasket
- 010 Dome cover (with Pos. 009)
- 011 Tank clean-out cover, 4" (with Pos. 009 and 010)
- 012 Insulation ring
- 013 Insulation for cover
- 014 Ribbed mounting bolt
- 015 Front panel
- 016 Panel cap
- 017 Thermometer
- 019 Spring-clip to secure sensor
- 020 Nameplate
- 021 Mounting element (fittings package)
- 022 Reducing coupling R1¼ × R½
- 023 Sensor well
- 024 Sensor mounting hardware (with Pos. 024)
- 025 Insulation for sensor well

Other Parts (not illustrated)

- 018 Decorative stripe
- 026 Installation Instructions
- 027 Start-up/Service Instructions
- 028 Operating Instructions and User's Information Manual
- 029 Spray paint, vitosilver
- 030 Touch-up pen, vitosilver
- 031 Temperature and pressure relief valve
- 032 Parts List
- 050 Installation fittings

Ⓐ Rating plate



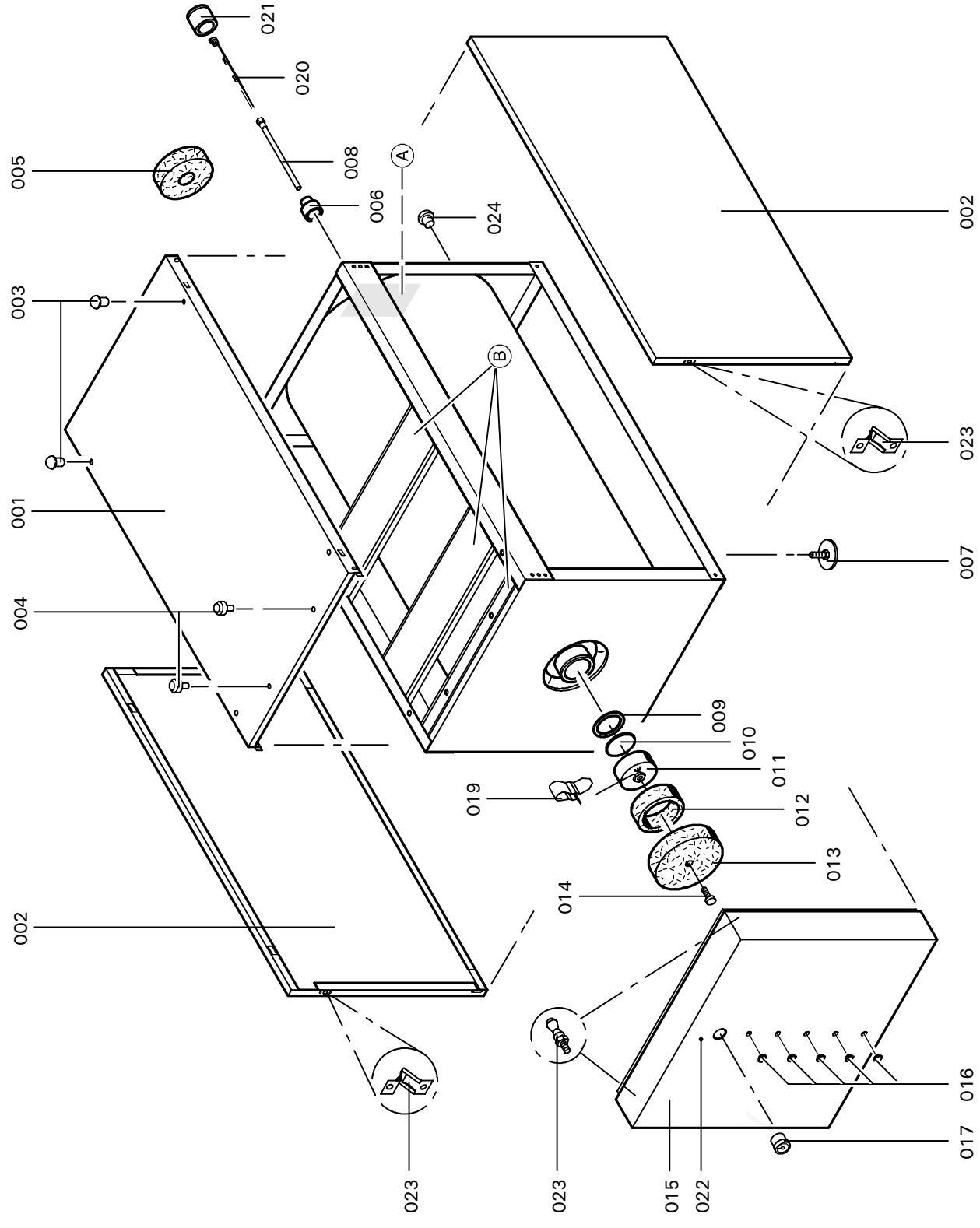
92 and 120 USG 350 and 450 ltr

Parts

- 001 Top panel
- 002 Side panel (right/left)
- 003 Panel plug
- 004 Positioning plug (set of 2)
- 005 Insulation
- 006 Reducing coupling R1 ¼ × R1½
- 007 Leveling foot
- 008 Sensor well
(with Pos. 020)
- 009 Gasket
- 010 Dome cover
(with Pos. 009)
- 011 Tank clean-out cover, 4"
(with Pos. 009 and 010)
- 012 Insulation ring
- 013 Insulation for cover
- 014 Ribbed mounting bolt
- 015 Front panel
- 016 Panel cap
- 017 Thermometer
- 019 Spring-clip to secure sensor
- 020 Sensor mounting hardware
- 021 Insulation for sensor well
- 022 Nameplate
- 023 Mounting element (fittings package)
- 024 Protective plug

Other Parts (not illustrated)

- 018 Decorative stripe
 - 026 Installation Instructions
 - 027 Start-up/Service Instructions
 - 028 Operating Instructions
and User's Information Manual
 - 029 Spray paint, vitosilver
 - 030 Touch-up pen, vitosilver
 - 031 Temperature and pressure
relief valve
 - 032 Parts List
 - 050 Installation fittings
- (A) Rating plate
(B) Support bars
(only for 92 USG / 350 ltr model)



HoriCell-HG/1	200L	350L	450L	
---------------	------	------	------	--

General Info	Price List / Product Cat. Section:	4.9		
	Series Name:	HoriCell-HG/1	(3/1992 - 8/1998)	
	Versions:	Canadian Market and US Market (<i>identical</i>)		
	Accurate as of:	07/01/2012		

Parts List

Please refer to: Parts List
 Pos. Description

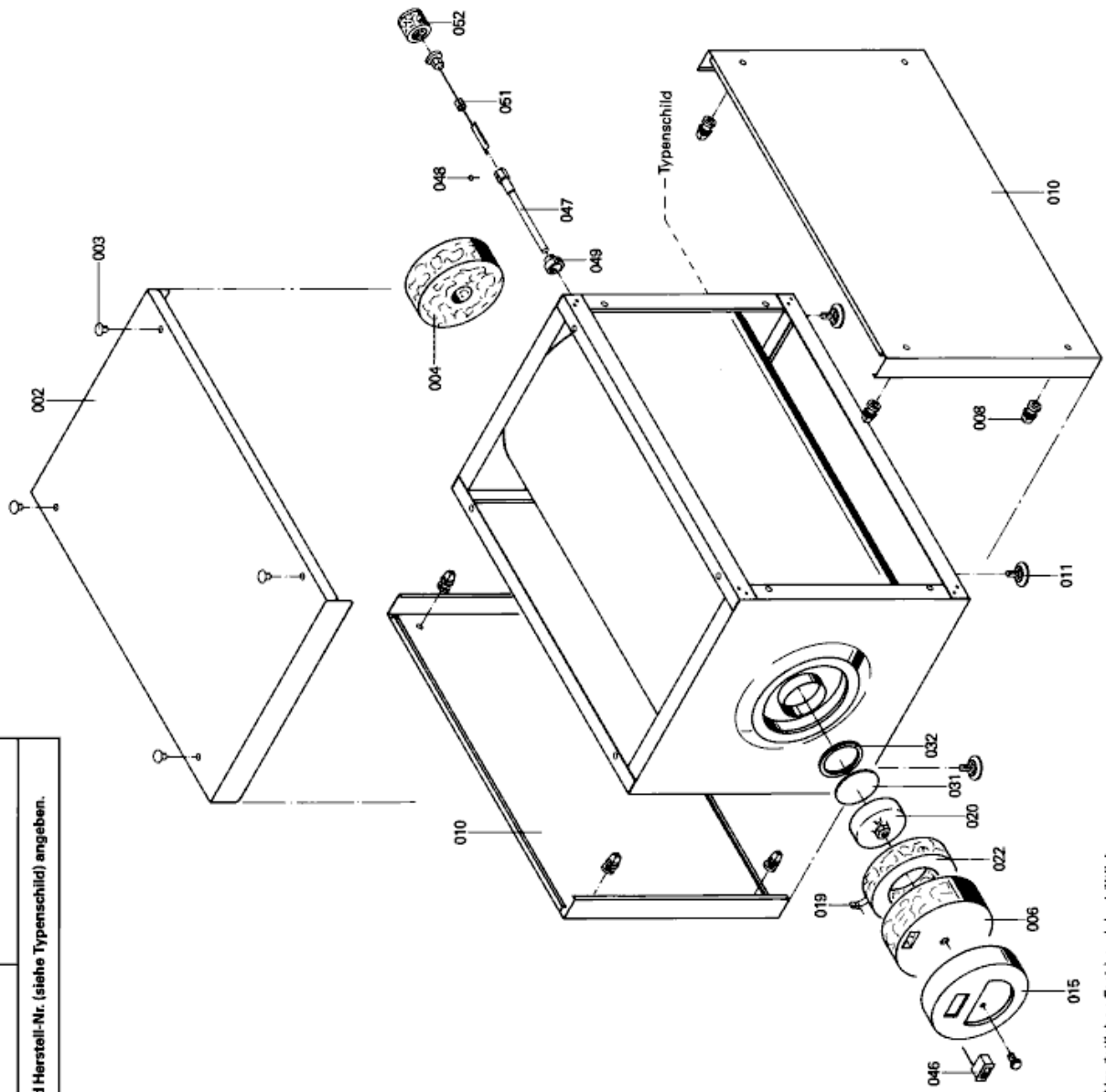
Part Numbers / Price Categories

002	Top Panel	5132 266 ¹⁷	5132 377 ²²	5132 378 ²⁶	
003	Panel Plug	7810 426 ¹	7810 426 ¹	7810 426 ¹	
004	Insulation	n.a. ^{n.a.}	n.a. ^{n.a.}	5130 913 ⁵	
006	Cap, Insulation	5131 060 ⁴	5131 060 ⁴	5131 060 ⁴	
008	Panelling Spacer	7810 423 ²	7810 423 ²	7810 423 ²	
010	Side Panel	5133 921 ¹⁸	5133 922 ¹⁹	5134 453 ²⁵	
011	Leveling Foot (Each)	7819 544 ⁴	7819 544 ⁴	7819 544 ⁴	
015	Round Front Cover	5204 274 ⁹	5204 274 ⁹	5204 274 ⁹	
019	Spring Clip	7819 225 ²	7819 225 ²	7819 225 ²	
020	Cleanout Cover, 4" wo PRV	7260 236 ¹⁵	7260 236 ¹⁵	7260 236 ¹⁵	
022	Insulation Ring	5131 684 ³	5131 684 ³	5131 684 ³	
031	Dome Cover, 4"	5160 848 ⁵	5160 848 ⁵	5160 848 ⁵	
032 W	Gasket	7819 666 ⁶	7819 666 ⁶	7819 666 ⁶	
046	Thermometer, Deg. C	7817 953 ¹²	7817 953 ¹²	7817 953 ¹²	
047	Sensor Well, 1/2" x 400mm	7819 687 ¹⁶	7819 687 ¹⁶	7819 687 ¹⁶	
048	Mounting Screw	7814 664 ¹	7814 664 ¹	7814 664 ¹	
049	Coupling, Brass Red. 1-1/4 - 1/2"	7819 688 ⁷	7819 688 ⁷	7819 688 ⁷	
051	Sensor Mounting Hrdwr	7819 689 ⁶	7819 689 ⁶	7819 689 ⁶	
052	Insulation, Tank Snsr Well	7231 802 ⁵	7231 802 ⁵	7231 802 ⁵	
098	Touch-UP Spray Paint Classic ORG	9583 575 ⁹	9583 575 ⁹	9583 575 ⁹	
099	Touch-UP Paint Stk Classic ORG	9588 907 ⁵	9588 907 ⁵	9588 907 ⁵	

Notes:

- "n.a." indicates not applicable.
- "W" indicates wearing part (service).
- "L" indicates literature (no charge).
- "Kit" or "Other" indicates that this is not a Price Category item; contact Inside Sales for pricing.

Bei Ersatzbestellungen der Heizungsfachfirma Bestell-Nr. und Herstell-Nr. (siehe Typenschild) angeben.



Handelsübliche Teile sind im örtlichen Fachhandel erhältlich.

Ablagehinweis: Servicetasche

HoriCell-NT	HC 160	HC 200	HC 350	HC 450
-------------	--------	--------	--------	--------

General Info Price List / Product Cat. Section: 4.9
 Series Name: (1985 - 1991)
 Versions : Canadian Market and US Market (*identical*)
 Accurate as of: 07/01/2012

Parts List

Please refer to: Parts List
 Pos. Description

Part Numbers / Price Categories

002	Top Panel	5131 042 ¹⁸	5131 934 ¹⁹	5131 048 ²⁰	5131 156 ²¹
003	Panel Plug	5131 240 ¹	5131 240 ¹	5131 240 ¹	5131 240 ¹
006	Cap, Insulation	5131 060 ⁴	5131 060 ⁴	5131 060 ⁴	5131 060 ⁴
008	Panelling Spacer	7810 423 ²	7810 423 ²	7810 423 ²	7810 423 ²
009	Round Front Cover	7810 072 ²	7810 072 ²	7810 072 ²	7810 072 ²
010	Side Panel (Left/Right)	5131 040 ¹⁷	5131 043 ¹⁷	5131 046 ¹⁹	5131 155 ²²
015	Round Front Cover	5204 274 ⁹	5204 274 ⁹	5204 274 ⁹	5204 274 ⁹
019	Spring Clip	7819 225 ²	7819 225 ²	7819 225 ²	7819 225 ²
020	Cleanout Cover, 4" wo PRV	7260 236 ¹⁵	7260 236 ¹⁵	7260 236 ¹⁵	7260 236 ¹⁵
021 W	Gasket, 112mm No Hole	7810 729 ⁸	7810 729 ⁸	7810 729 ⁸	7810 729 ⁸
022	Insulation Ring	5131 684 ³	5131 684 ³	5131 684 ³	5131 684 ³
046	Thermometer, Deg. C	7206 407 ¹²	7206 407 ¹²	7206 407 ¹²	7206 407 ¹²
047	Sensor Well, 1/2" x 400mm	7819 687 ¹⁶	7819 687 ¹⁶	7819 687 ¹⁶	7819 687 ¹⁶
048	Mounting Screw, M 4x6	7814 664 ¹	7814 664 ¹	7814 664 ¹	7814 664 ¹
049	Coupling, Brass Red. 1-1/4 - 1/2"	7819 688 ⁷	7819 688 ⁷	7819 688 ⁷	7819 688 ⁷
051	Sensor Mounting Hrdwr	7819 689 ⁶	7819 689 ⁶	7819 689 ⁶	7819 689 ⁶
052	Insulation, Tank Snsr Well	7231 802 ⁵	7231 802 ⁵	7231 802 ⁵	7231 802 ⁵
098	Touch-UP Spray Paint Classic ORG	9583 575 ⁹	9583 575 ⁹	9583 575 ⁹	9583 575 ⁹
099	Touch-UP Paint Stk Classic ORG	9588 907 ⁵	9588 907 ⁵	9588 907 ⁵	9588 907 ⁵

Notes:

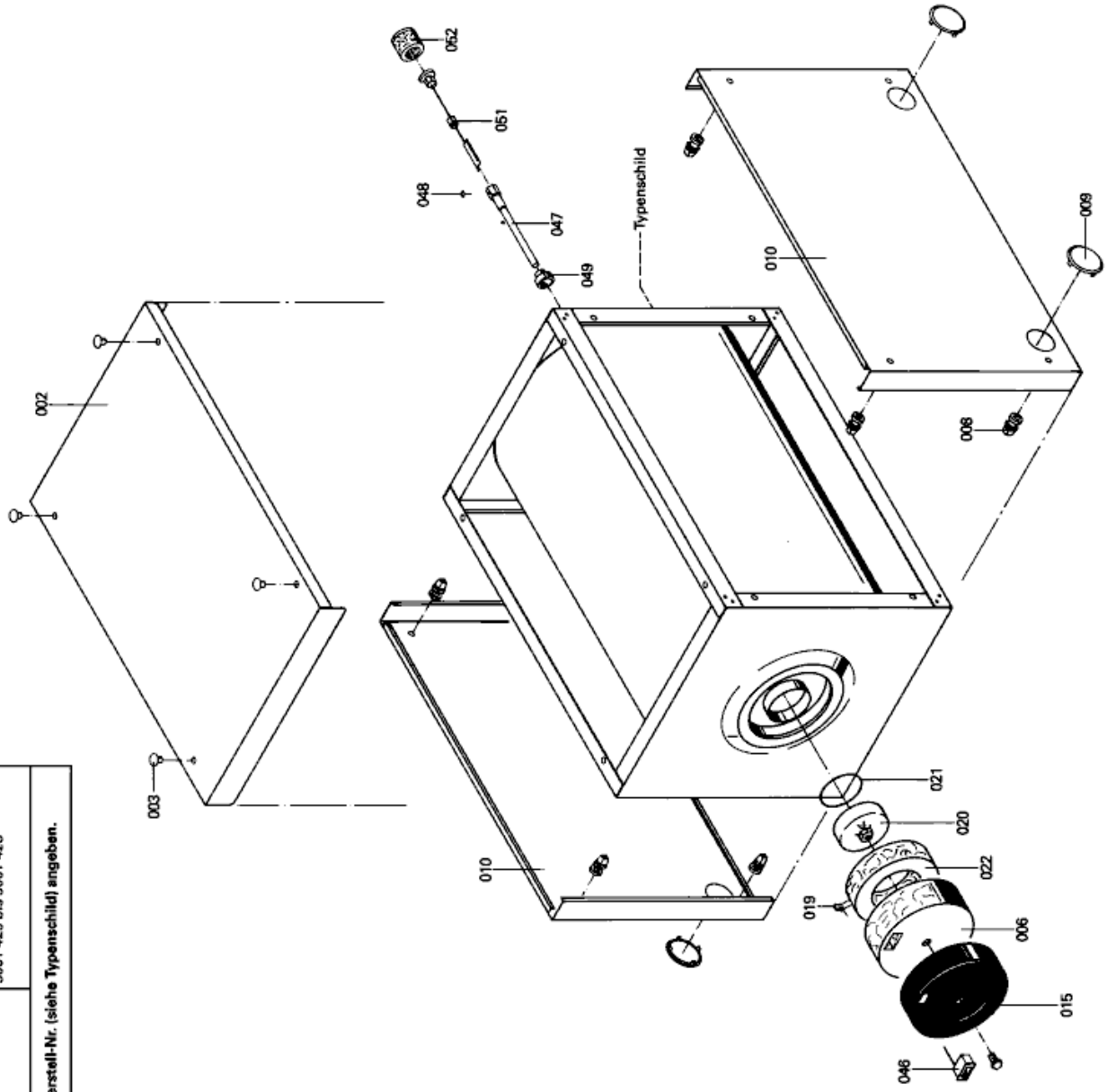
- "n.a." indicates not applicable.
- "W" indicates wearing part (service).
- "L" indicates literature (no charge).
- "Kit" or "Other" indicates that this is not a Price Category item; contact Inside Sales for pricing.

VIESSMANN

Einzelteilliste

HorCell-NT
3001 425 bis 3001 428

Bei Ersatzbestellungen der Heizungsfirma Bestell-Nr. und Herstell-Nr. (siehe Typenschild) angeben.



Abgabehinweis:
Servicetasche am Heizkessel!

VITOCCELL-V 300

VITOCCELL-B 300

Vitocell 300 USG	EVI-42	EVI-53	EVI-79	EVI-92	EVI-120		EVB-79	EVB-120
Liters	EVI-160	EVI-200	EVI-300	EVI-350	EVI-450		EVB-300	EVB-450
General Info	Price List / Product Cat. Section: 4.2 Series Name: EVI, EVB Versions: Important: Canadian Market and US Market <i>unique</i> Accurate as of: 07/01/2012							
Shipping Overview								
5/2003 - present	Canadian Market (w rear-mounted pressure relief valve)							
	n.a.	7134 371	7134 372	n.a.	Z002331		7134 374	Z005986
Cylinder Jkt					7134 375			7160 487
					7134 373			7160 490
	US Market (w rear-mounted pressure relief valve)							
	n.a.	7134 381	7134 382	n.a.	Z002332		7134 383	Z005987
Cylinder Jkt					7134 384			7160 488
					7134 373			7160 490
	IMPORTANT The EVI version "5/2003 - present" is NOT suitable for steam heating applications.							
3/2012 - present	Canadian Market							
					ZK00429			ZK00430
Cylinder Jkt					7510 402			7510 405
					7510 404			7510 407
	US Market							
					ZK00431			ZK00432
Cylinder Jkt					7510 403			7510 406
					7510 404			7510 407
	IMPORTANT The EVI version "5/2003 - present" is NOT suitable for steam heating applications.							

VITOCELL-V 300

Vitocell-V 300	EVI-53 EVI-200 7134 371 7134 381	EVI-79 EVI-300 7134 372 7134 382	
-----------------------	---	---	--

General Info	Price List Section:	4.2	
	Parts Catalog Section	17 EVI	(5/2003 -)
	Applies to serials nos. beginning with:	7134371... 7134372... 7134381... 7134382...	
	Accurate as of:	07/01/2012	

Parts List

Please refer to: Parts List

Pos. Description Part Numbers / Price Categories

001	Top Panel	7823 447 ¹⁶	7817 804 ¹⁴		
002	Insulation Blkt-top	7817 714 ⁹	7817 714 ⁹		
003	Cover, Front	7819 514 ¹¹	7819 515 ¹²		
004	Insulation f Cover	7811 311 ³	7811 311 ³		
005	Spring Clip	7819 225 ²	7819 225 ²		
006	Tank Cleanout Cover, 4"	7819 665 ¹³	7819 665 ¹³		
007	Dome Cover, 4"	7819 646 ⁷	7819 646 ⁷		
008 W	Gasket	7819 666 ⁶	7819 666 ⁶		
009	Sensor Mounting Hardware	7819 692 ⁵	7819 692 ⁵		
010	Sensor Well, 1/2"x218mm	7819 693 ¹⁴	7819 693 ¹⁴		
011	Insulation, Tank Sensor Well	7819 232 ⁵	7819 232 ⁵		
012	Reduction Fitting	7819 690 ⁷	7819 690 ⁷		
013	Leveling Foot (Each)	7819 544 ⁴	7819 544 ⁴		
014 W	Gasket	7822 213 ⁸	7822 213 ⁸		
015	Flanged Cover	7822 214 ¹⁴	7822 214 ¹⁴		
016 a	Thermometer, Deg. C	7334 598 ⁸	7334 598 ⁸		
016 b	Thermometer, Deg. F	7334 599 ⁸	7334 599 ⁸		
016 c	Thermometer, Deg. C/F	9543 566 ⁸	9543 566 ⁸		
017	Nameplate Viessmann (Vito, Curved)	7819 230 ⁵	7819 230 ⁵		
018	Nameplate Vitocell 300 (Vito, Curved)	7819 231 ⁵	7819 231 ⁵		
019	Cable Channel 870mm	n.a. ^{n.a.}	n.a. ^{n.a.}		
020	Install. Instructions	5285 545 ^L	5285 545 ^L		
022	Start-Up/Service Instructions	5285 547 ^L	5285 547 ^L		
023	Touch-UP Spray Paint Vitotec SIL	7819 545 ⁹	7819 545 ⁹		
024	Touch-UP Paint Stk Vitotec SIL	7819 546 ⁵	7819 546 ⁵		
025	Parts List	5167 549 ^L	5167 549 ^L		
026	Oper. Instr./User's Info	5285 544 ^L	5285 544 ^L		
029	Install. Instr. Supp. Inst. Fittings	5285 548 ^L	5285 548 ^L		
035	Brass Elbow with Sensor Well	7175 213 ¹¹	7175 213 ¹¹		
050 CDN	Temp.& Pr.Rel Valve 3/4 x 3/4"100PSI	9543 803 ¹⁸	9543 803 ¹⁸		
050 USA	Temp. & Pr.Rel Valve 3/4 x 3/4" 150PSI	9543 979 ¹⁸	9543 979 ¹⁸		
051 CDN	Installation Fittings	7134 376 ³⁴	7134 376 ³⁴		
051 USA	Installation Fittings	7134 385 ³³	7134 385 ³³		

Notes:

"n.a." indicates not applicable.

"W" indicates wearing part (service).

"L" indicates literature (no charge).

"Kit" or "Other" indicates that this is not a Price Category item; contact Inside Sales for pricing.

VITOCELL-V 300

Vitocell-V 300	EVI-120 EVI-450 Z002 331 Z002 332	
-----------------------	--	--

General Info	Price List Section: 4.2	
	Parts Catalog Section: 17 EVI	(5/2003 -)
	Applies to serials nos. beginning with: 7134373...	
	Accurate as of: 07/01/2012	Important: Canadian Market and US Market <i>unique</i>

Parts List

Please refer to: Parts List

Pos. Description Part Numbers / Price Categories

001	Top Panel	7822 207 ¹⁷			
002	Insulation Blkt-top	7822 208 ¹⁰			
003	Insulation Blkt-bottom	7822 209 ¹⁰			
004	Front Cover c/w Insulation	7822 210 ¹³			
005	Insulation Blanket	7822 319 ⁴⁶			
006	Support Leg	7822 212 ⁴			
007	Spring Clip	7819 225 ²			
008	Tank Cleanout Cover, 4"	7819 665 ¹³			
009	Dome Cover, 4"	7819 646 ⁷			
010 W	Gasket	7819 666 ⁶			
011	Sensor Mounting Hardware	7819 701 ⁵			
012	Sensor Well	7819 700 ¹⁵			
013	Reduction Fitting	7819 690 ⁷			
014	Leveling Foot (Each)	7819 544 ⁴			
015 W	Gasket	7822 213 ⁸			
016	Flanged Cover	7822 214 ¹⁴			
017 a	Thermometer, Deg. C	7334 598 ⁸			
017 b	Thermometer, Deg. F	7334 599 ⁸			
017 c	Thermometer, Deg. C/F	9543 566 ⁸			
018	Nameplate Viessmann (Vito, Curved)	7819 230 ⁵			
021	Install. Instructions	5285 545 ^L			
022	Start-Up/Service Instructions	5285 547 ^L			
023	Oper. Instr./User's Info	5285 544 ^L			
024	Assembly Instructions	5285 536 ^L			
025	Cleaning Instructions	5285 537 ^L			
026	Install. Instr. Supp. Inst. Fittings	5285 548 ^L			
030	Thermometer Cover	7820 231 ⁴			
031	Insulation f Sensor Well	7822 316 ⁶			
032	Parts List	5167 549 ^L			
050 CDN	Temp.& Pr.Rel Valve 3/4 x 3/4"100PSI	9543 803 ¹⁸			
050 USA	Temp. & Pr.Rel Valve 3/4 x 3/4" 150PSI	9543 979 ¹⁸			
051 CDN	Installation Fittings	7134 377 ³⁸			
051 USA	Installation Fittings	7134 386 ³⁸			

Notes:

"n.a." indicates not applicable.

"W" indicates wearing part (service).

"L" indicates literature (no charge).

"Kit" or "Other" indicates that this is not a Price Category item; contact Inside Sales for pricing.

Parts List

VITOCELL-V 300 EVI Series

53 USG / 200 ltr 7134 371, 7134 381
79 USG / 300 ltr 7134 372, 7134 382

Please file in Service Binder

Ordering Replacement Parts:

Please provide boiler Model and Serial Number from rating plate when ordering replacement parts. Order replacement components from your Viessmann distributor.

Parts

- 001 Top panel
- 002 Insulation blanket, top
- 003 Front cover
- 004 Insulation for cover
- 005 Spring-clip to secure sensor
- 006 Tank inspection/clean-out cover (with Pos. 007 and 008)
- 007 Dome cover (with Pos. 008)
- 008 Gasket
- 009 Sensor mounting hardware
- 010 Sensor well (with Pos. 009)
- 011 Insulation for sensor well
- 012 Reduction fitting
- 013 Leveling bolt
- 014 Gasket
- 015 Flanged cover (with Pos. 014)
- 016 Thermometer
- 017 Viessmann nameplate
- 018 Vitocell 300 nameplate

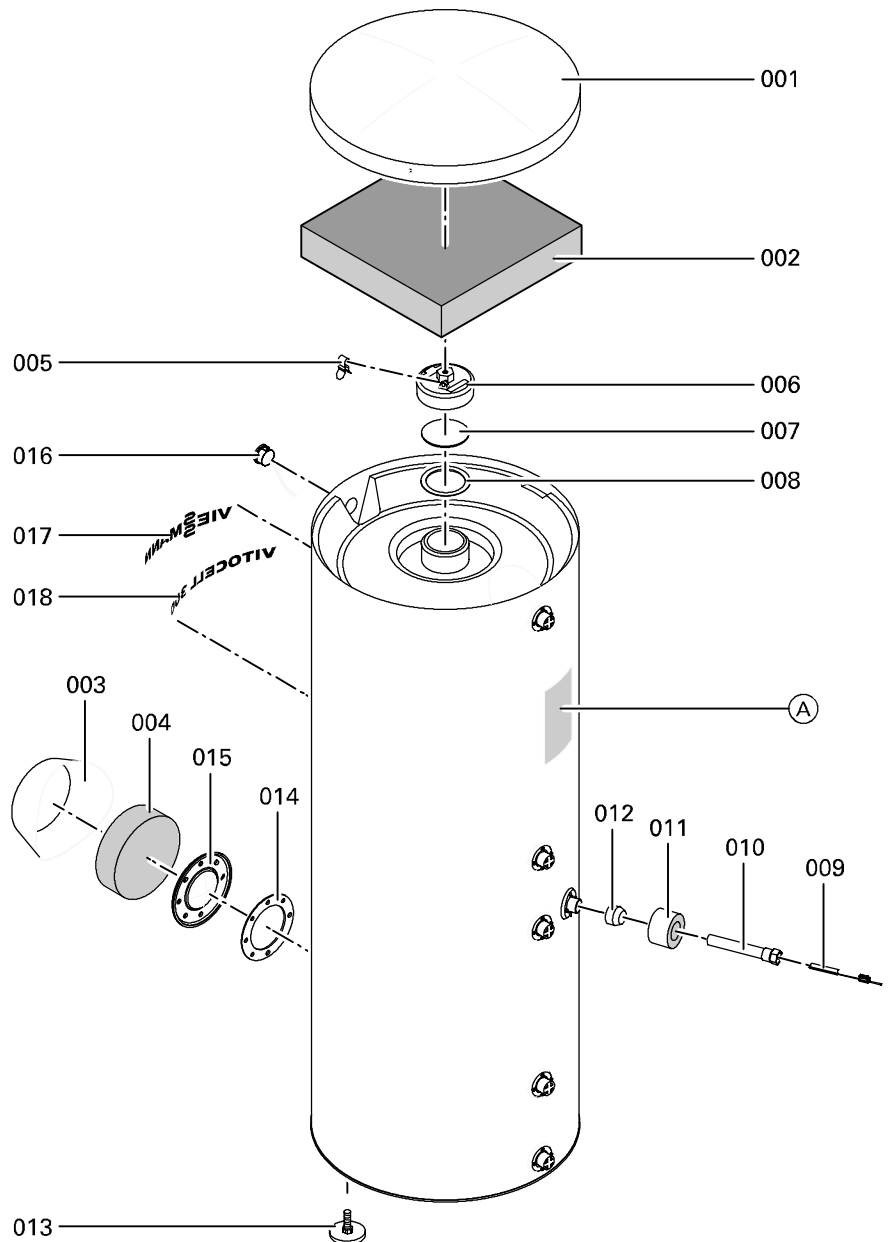
Other Parts (not illustrated)

- 020 Installation Instructions
- 022 Start-up/Service Instructions
- 023 Spray paint, vitosilver
- 024 Touch-up pen, vitosilver
- 025 Parts List
- 026 Operating Instructions
- 050 Temperature and pressure relief valve
- 051 Installation fittings

Wear Parts

- 008 Gasket
- 014 Gasket

Ⓐ Rating plate



VITOCELL-V 300

EVI Series

120 USG / 450 ltr Z002 331, Z002 332

Parts

- 001 Top panel
- 002 Insulation blanket, top
- 003 Insulation blanket, bottom
- 004 Front cover incl. insulation
- 005 Insulation blanket
- 006 Support leg
- 007 Spring-clip to secure sensor
- 008 Tank inspection/clean-out cover
(with Pos. 009 and 010)
- 009 Dome cover (with Pos. 010)
- 010 Gasket
- 011 Sensor mounting hardware
- 012 Sensor well (with Pos. 011)
- 013 Reduction fitting
- 014 Leveling foot
- 015 Gasket
- 016 Flanged cover (with Pos. 015)
- 017 Thermometer
- 018 Viessmann nameplate
- 030 Thermometer cover
- 031 Insulation for sensor well

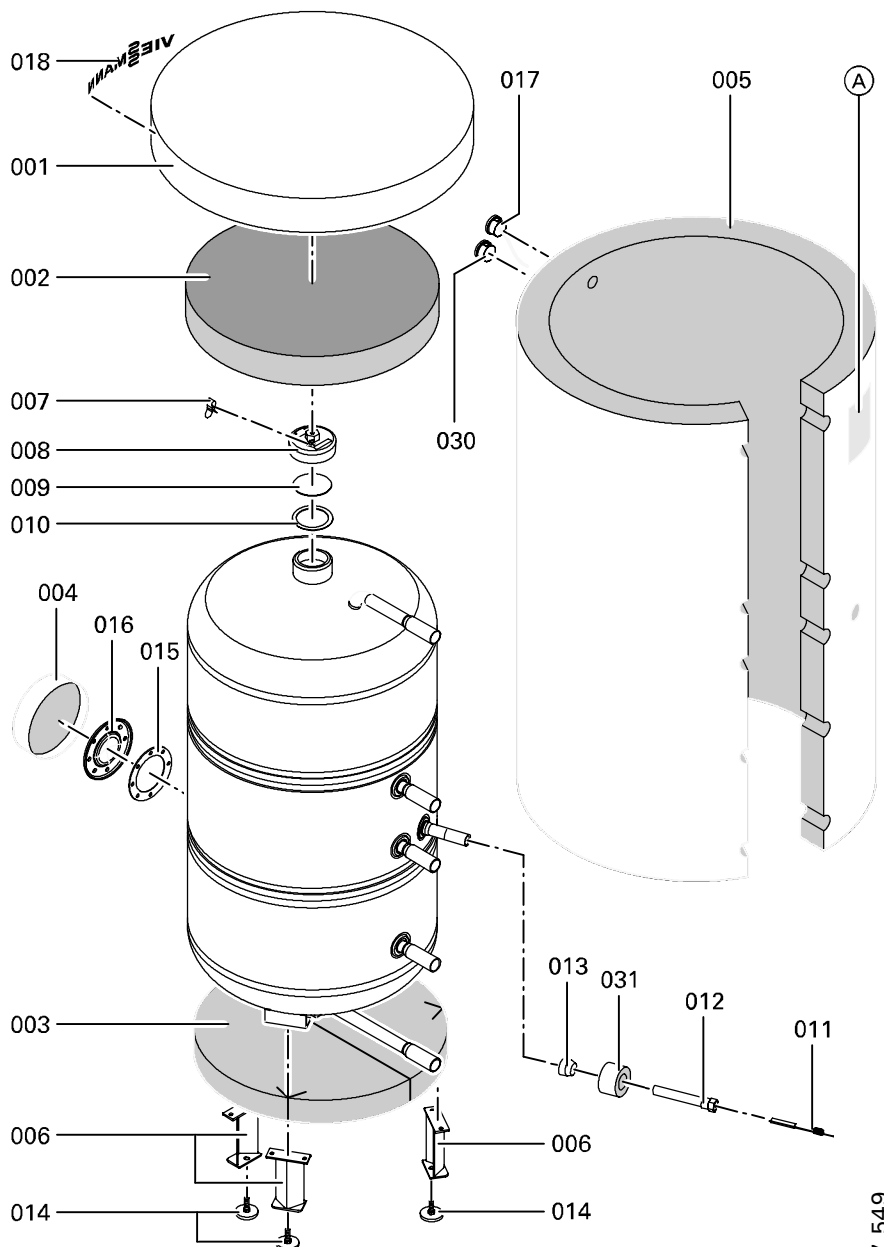
Other Parts (not illustrated)

- 021 Installation instructions
- 022 Start-up/Service Instructions
- 023 Operating Instructions
- 032 Parts List
- 050 Temperature and pressure relief valve
- 051 Installation fittings

Wear Parts

- 010 Gasket
- 015 Gasket

Ⓐ Rating plate



5167 549

VITOCELL-V 300

Vitocell-V 300	EVI-42 EVI-160 7133 442 7133 511	EVI-53 EVI-200 7133 443 7133 512	
-----------------------	---	---	--

General Info	Price List Section: 4.2		
	Parts Catalog Section 17 EVI		(6/2000 - 8/2003)
	Applies to serials nos. beginning with: 7133442...	7133443...	
		7133511...	7133512...
	Accurate as of: 07/01/2012		

Parts List

Please refer to: Parts List

Pos. Description Part Numbers / Price Categories

001	Top Panel	5335 902 ^D	5335 902 ^D		
002	Insulation, Top	7817 714 ⁹	7817 714 ⁹		
003	Front Cover	7819 250 ⁹	7819 250 ⁹		
004	Front Inspec. Cover Housing	7819 247 ¹³	7819 247 ¹³		
005	Gasket	7819 255 ³	7819 255 ³		
006	Spring Clip	7819 225 ²	7819 225 ²		
007 a	Tank Cleanout Cov,4" w.PRIV	7260 803 ²⁴	7260 803 ²⁴		
007 b	Front Cover, 6"	5204 339 ⁷	5204 339 ⁷		
008	Dome Cover 4"	7819 646 ⁷	7819 646 ⁷		
009	Gasket	7819 666 ⁶	7819 666 ⁶		
010	Cover Strip	7819 251 ⁶	7819 252 ⁶		
011	Sensor Mounting Hrdwr	7819 692 ⁵	7819 692 ⁵		
012	Sensor Well, 1/2"x218mm	7819 693 ¹⁴	7819 693 ¹⁴		
013	Insulation, Tank Snsr Well	7819 232 ⁵	7819 232 ⁵		
014	Reduction Fitting	7819 690 ⁷	7819 690 ⁷		
015	Bottom Panel	n.a. ^{n.a.}	n.a. ^{n.a.}		
016	Leveling Foot (Each)	7819 544 ⁴	7819 544 ⁴		
017 W	Gasket, 216 x 165 x 3mm	7819 669 ¹²	7819 669 ¹²		
018	Flanged Cover,4x255x260mm	7819 691 ¹⁹	7819 691 ¹⁹		
019	Insulation, Front Cover	5330 743 ⁴	5330 743 ⁴		
020	Extension Bolt, M6x8	5332 908 ³	5332 908 ³		
021 a	Thermometer, Deg. C	7334 598 ⁸	7334 598 ⁸		
021 b	Thermometer, Deg. F	7334 599 ⁸	7334 599 ⁸		
021 c	Thermometer, Deg. C/F	9543 566 ⁸	9543 566 ⁸		
022	Nameplate Viessmann (Vito, Curved)	7819 230 ⁵	7819 230 ⁵		
023	Nameplate Vitocell 300 (Vito, Curved)	7819 231 ⁵	7819 231 ⁵		
025	Install. Instr. Vitocell-V 300, EVI	5167 540 ^L	5167 540 ^L		
026	Start-Up/Service Instr. EHA	5167 536 ^L	5167 536 ^L		
027	Oper. Instr./User's Info EHA/EVI/CVB/EVB	5167 537 ^L	5167 537 ^L		continued

VITOCELL-V 300

Vitocell-V 300	EVI-42 EVI-160 7133 442 7133 511	EVI-53 EVI-200 7133 443 7133 512	
----------------	---	---	--

General Info	Price List Section:	4.2	
	Parts Catalog Section	17 EVI	(6/2000 - 8/2003)
	Applies to serials nos. beginning with:	7133442... 7133511...	7133443... 7133512...
	Accurate as of:	07/01/2012	

Parts List

Please refer to: Parts List

Pos. Description Part Numbers / Price Categories

029	Touch-UP Spray Paint Vitotec SIL	7819 545 ⁹	7819 545 ⁹		
030	Touch-UP Paint Stk Vitotec SIL	7819 546 ⁵	7819 546 ⁵		
034 CDN	Temp. & Pr.Rel Valve 3/4x3/4" 100PSI	9543 803 ¹⁸	9543 803 ¹⁸		
034 USA	Temp. & Pr.Rel Valve 3/4 x 3/4" 150PSI	9543 979 ¹⁸	9543 979 ¹⁸		

Notes:

- "n.a." indicates not applicable.
- "W" indicates wearing part (service).
- "L" indicates literature (no charge).
- "Kit" or "Other" indicates that this is not a Price Category item; contact Inside Sales for pricing.
- "D" indicates discontinued.

VITOCELL-V 300

Vitocell-V 300	EVI-92 EVI-350 Z001 050 Z001 150	EVI-120 EVI-450 Z001 051 Z001 151	
----------------	---	--	--

General Info	Price List Section:	4.2	
	Parts Catalog Section	17 EVI	(6/2000 - 8/2003)
	Applies to serials nos. beginning with:	7133444...	7133445...
		7133513...	7133514...
	Accurate as of:	07/01/2012	

Parts List

Please refer to: Parts List

Pos. Description Part Numbers / Price Categories

001	Insul. Jacket	7133 446 ^D	7133 447 ^D		
002 a	Thermometer, Deg. C	7334 598 ⁸	7334 598 ⁸		
002 b	Thermometer, Deg. F	7334 599 ⁸	7334 599 ⁸		
002 c	Thermometer, Deg. C/F	9543 566 ⁸	9543 566 ⁸		
003	Top Panel	5335 900 ¹⁸	5335 901 ¹⁸		
004	Insulation Blkt-I	5134 687 ⁸	5134 614 ¹²		
005	Insulation Blkt-II	5134 688 ¹¹	5134 615 ¹³		
006	Front Panel	7334 077 ²²	7334 073 ²²		
007	Front Cover	7819 250 ⁹	7819 250 ⁹		
008	Front Inspec. Cover Housing	7819 248 ¹³	7819 249 ¹³		
009	Gasket	7819 255 ³	7819 255 ³		
010	Extension Bolt	5330 796 ³	7811 250 ³		
011	Insulation, Front Cover	5089 948 ³	5089 948 ³		
012	Flanged Cover,4x255x260mm	7819 691 ¹⁹	7819 691 ¹⁹		
013 W	Gasket, 216 x 165 x 3mm	7819 669 ¹²	7819 669 ¹²		
014	Spring Clip	7819 225 ²	7819 225 ²		
015 a	Tank Cleanout Cov,4" w.PRV	7260 803 ²⁴	7260 803 ²⁴		
015 b	Front Cover, 6"	5204 339 ⁷	5204 339 ⁷		
016	Dome Cover 4"	7819 646 ⁷	7819 646 ⁷		
017 W	Gasket	7819 666 ⁶	7819 666 ⁶		
018	Side Panel, Left	7334 080 ²¹	7334 082 ²²		
019	Plastic Grommet, 1-1/4"	5271 193 ³	5271 193 ³		
020	Plastic Grommet, 1"	5271 192 ³	5271 192 ³		
021	Reduction Fitting	7819 690 ⁷	7819 690 ⁷		
022	Insulation, Tank Snsr Well	7819 232 ⁵	7819 232 ⁵		
023	Sensor Well EVI	7819 700 ¹⁵	7819 700 ¹⁵		
024	Sensor Mounting Hrdwr	7819 701 ⁵	7819 701 ⁵		
025	Insulation Blkt	5330 745 ²²	5330 026 ²⁴		
026	Insulation Blkt, Bottom	5330 848 ⁸	5330 849 ¹⁰		continued

VITOCELL-V 300

Vitocell-V 300	EVI-92 EVI-350 Z001 050 Z001 150	EVI-120 EVI-450 Z001 051 Z001 151	
----------------	---	--	--

General Info	Price List Section:	4.2	
	Parts Catalog Section	17 EVI	(6/2000 - 8/2003)
	Applies to serials nos. beginning with:	7133444...	7133445...
		7133513...	7133514...
	Accurate as of:	07/01/2012	

Parts List

Please refer to: Parts List

Pos. Description Part Numbers / Price Categories

027	Support Bracket	7819 702 ⁹	7819 702 ⁹		
028	Bottom Panel	7334 074 ¹⁹	7334 069 ²³		
029	Leveling Foot (Each)	7819 544 ⁴	7819 544 ⁴		
030	Side Panel, Right	7334 295 ²¹	7334 297 ²²		
031	Access. Pack (Clips)	7818 492 ³	7818 492 ³		
032	Nameplate Viessmann (Vito, Curved)	7819 230 ⁵	7819 230 ⁵		
033	Nameplate Vitocell 300 (Vito, Curved)	7819 231 ⁵	7819 231 ⁵		
034 CDN	Temp. & Pr. Rel Valve 3/4x3/4" 100PSI	9543 803 ¹⁸	9543 803 ¹⁸		
034 USA	Temp. & Pr. Rel Valve 3/4 x 3/4" 150PSI	9543 979 ¹⁸	9543 979 ¹⁸		
040	Install. Instr. Vitocell-V 300, EVI	5167 540 ^L	5167 540 ^L		
041	Start-Up/Service Instr. EHA	5167 536 ^L	5167 536 ^L		
042	Oper. Instr./User's Info EHA/EVI/CVB/EVB	5167 537 ^L	5167 537 ^L		

Notes:

"n.a." indicates not applicable.

"W" indicates wearing part (service).

"L" indicates literature (no charge).

"Kit" or "Other" indicates that this is not a Price Category item; contact Inside Sales for pricing.

"D" indicates discontinued.

VITOCELL-B 300

Vitocell-B 300	EVB-79 EVB-300 7134 374 7134 383	USG Liters
-----------------------	---	-----------------------------

General Info	Price List Section: 4.2
	Parts Catalog Section 17 EVB
	Applies to serials nos. beginning with: 7134374...
	7134383...
	Accurate as of: 07/01/2012

Parts List

Please refer to: Parts List
Pos. Description

001	Top Panel	7822 314	¹⁷			
002	Insulation Blkt-top	7817 393	⁴			
003	Front Cover	7819 515	¹²			
004	Insulation f Cover	7811 311	³			
005	Spring Clip	7819 225	²			
006	Tank Cleanout Cov,4" NoPRV c/w Gasket (008)	7819 665	¹³			
007	Dome Cover 4"	7819 646	⁷			
008 W	Gasket	7819 666	⁶			
009	Sensor Mounting Hrdwr	7819 692	⁵			
010	Sensor Well, 1/2"x218mm	7819 693	¹⁴			
011	Insulation, Tank Snsr Well	7819 232	⁵			
012	Red.Coupling 1 - 1/2"	7819 690	⁷			
013	Levelling Bolt (each)	7818 798	⁴			
014 W	Gasket	7822 213	⁸			
015	Flanged Cover	7822 214	¹⁴			
016 a	Thermometer, °C	7334 598	⁸			
016 b	Thermometer, °F	7334 599	⁸			
016 c	Thermometer, °C/°F	9543 566	⁸			
018	Nameplate Vitocell 300 (Vito, Curved)	7819 231	⁵			
019	Cable Channel 870mm	7818 660	⁶			
100	Install. Instr. Vitocell-B 300 EVB	5285 546	^L			
101	Start-Up/Instal. Instr. EVI/EVB	5285 547	^L			
102	Oper. Instr./User's Info EHA/EVI/B	5285 544	^L			
103	Parts List Vitocell-V 300, EVB	5265 120	^L			
104	Install. Instr. Supp. Inst. Fitt CVB/EVB	5285 549	^L			
105	Touch-UP Spray Paint Vitotec, SIL	7819 545	⁹			
106	Touch-UP Paint Stk Vitotec SIL	7819 546	⁵			
107	Elbow c/w Sensor Well, 1"	7175 213	¹¹			
200 CDN	Installation Fittings EVB 300L	7134 378	⁴⁰			
200 USA	Installation Fittings CVB/EVB 79USG	7134 387	⁴⁰			
201 CDN	Temp. + Pr.Rel Valve 3/4"x3/4" 100PSI	9543 803	¹⁸			
201 USA	Temp. + Pr.Rel Valve 3/4" x 3/4" 150PSI	9543 979	¹⁸			

Notes:

- "n.a." indicates not applicable.
- "W" indicates wearing part (service).
- "L" indicates literature (no charge).
- "Kit" or "Other" indicates that this is not a Price Category item; contact Inside Sales for pricing.

VITOCELL-B 300

Vitocell-B 300	EVB-120 EVB-450 Z005 986 Z005 987	USG Liters
-----------------------	--	-----------------------------

General Info	Price List Section:	4.2
	Parts Catalog Section	17 EVB
	Applies to serials nos. beginning with:	7160490...
	Accurate as of:	07/01/2012

Parts List

Please refer to: Parts List
Pos. Description

001	Top Panel	7822 207 ¹⁷			
002	Insulation Blkt-top	7823 510 ¹⁹			
003	Insulation Blkt-bottom	7822 209 ¹⁰			
004	Front Cover c/w Insul	7822 210 ¹³			
005	Insulation Blkt	7822 319 ⁴⁶			
006	Support Leg	7822 212 ⁴			
007	Spring Clip	7819 225 ²			
008	Tank Cleanout Cov,4" NoPRV	7819 665 ¹³			
009	Dome Cover 4" with Gasket (010)	7819 646 ⁷			
010 W	Gasket	7819 666 ⁶			
011	Sensor Mounting Hrdwr	7819 701 ⁵			
012	Sensor Well	7819 700 ¹⁵			
013	Red.Coupling 1 - ½"	7819 690 ⁷			
014	Levelling Bolt (Each)	7819 544 ⁴			
015 W	Gasket	7822 213 ⁸			
016	Flanged Cover	7822 214 ¹⁴			
017 a	Thermometer, °C	7334 598 ⁸			
017 b	Thermometer, °F	7334 599 ⁸			
017 c	Thermometer, °C/°F	9543 566 ⁸			
018	Nameplate Viessmann (Vito, Curved)	7819 230 ⁵			
031	Insulation f Sensor Well	7822 316 ⁶			
100	Install. Instr. Vitocell-B 300 EVB	5285 546 ^L			
101	Start-Up/Instal. Instr. EVI/EVB	5285 547 ^L			
102	Oper. Instr./User's Info EHA/EVI/B	5285 544 ^L			
103	Parts List Vitocell-V 300, EVB	5265 120 ^L			
104	Install. Instr. Supp. Inst. Fitt CVB/EVB	5285 549 ^L			
107	Elbow c/w sensor well, 1-1/4"	7219 729 ¹¹			
200 CDN	Installation Fittings EVB, 450L	7160 484 ⁴⁰			
200 USA	Installation Fittings EVB, 120USG	7160 485 ⁴⁰			
201 CDN	Temp. + Pr.Rel Valve ¾" x ¾" 100PSI	9543 803 ¹⁸			
201 USA	Temp. + Pr.Rel Valve ¾" x ¾" 150PSI	9543 979 ¹⁸			

Notes:

- "n.a." indicates not applicable.
- "W" indicates wearing part (service).
- "L" indicates literature (no charge).
- "Kit" or "Other" indicates that this is not a Price Category item; contact Inside Sales for pricing.

Parts List



VITOCCELL-B 300 EVB Series

Model No. Serial No.

79 USG/300 ltr 7134374□□□□□□□□□□
7134 383□□□□□□□□□□

Ordering Replacement Parts:

Please provide boiler Model and Serial Number from rating plate when ordering replacement parts. Order replacement components from your Viessmann distributor.

Parts

- 001 Top panel
- 002 Insulation blanket, top
- 003 Front cover
- 004 Insulation f cover
- 005 Spring clip
- 006 Tank cleanout cover with gasket 008
- 007 Dome cover, 4"
- 009 Sensor mounting hardware
- 010 Sensor well, 1/2" x 218mm
- 011 Insulation, tank sensor well
- 012 Reduction coupling 1 - 1/2"
- 013 Levelling bolt (each)
- 015 Flanged cover
- 016 Thermometer
- 018 Nameplate Vitocell 300, curved
- 019 Cable channel, 870mm

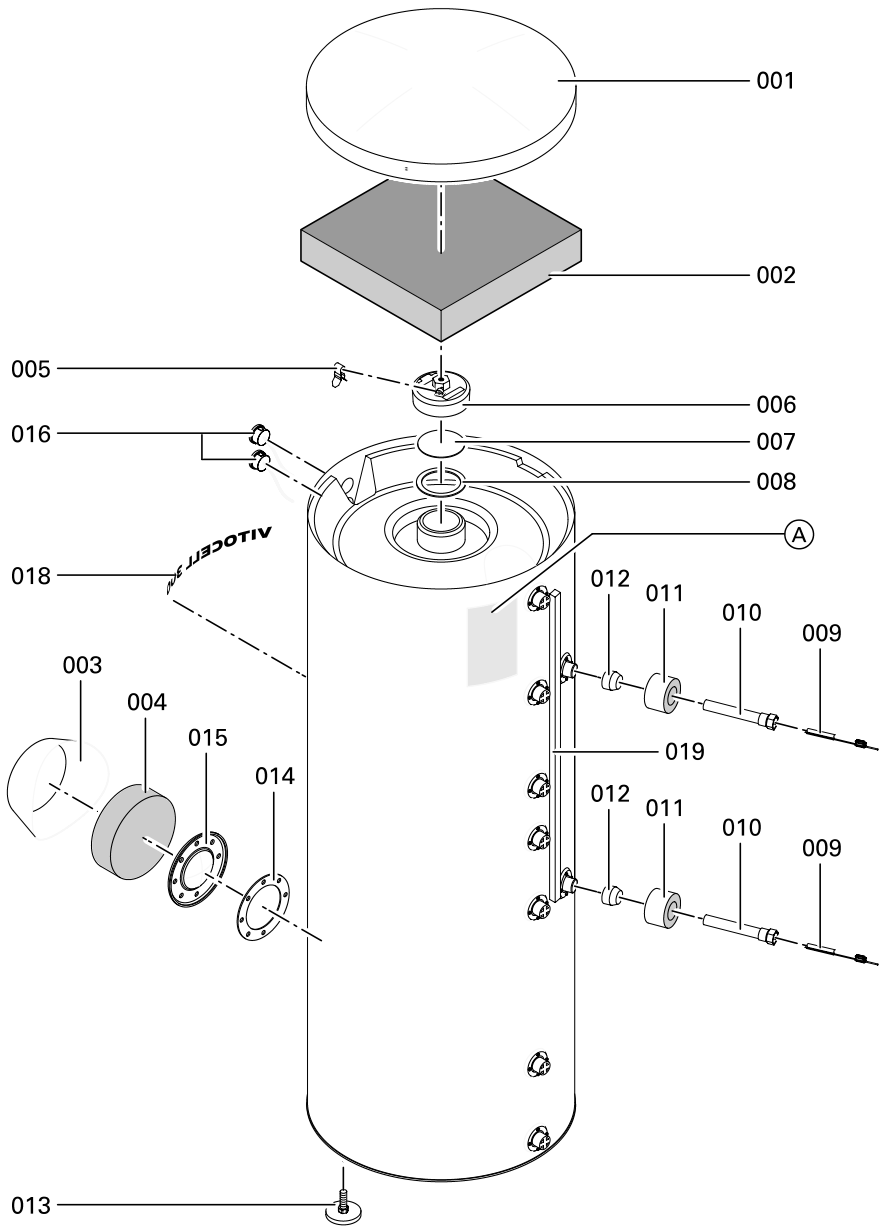
Other Parts (not illustrated)

- 100 Installation Instructions
- 101 Start-Up/Service Instructions
- 102 Operating Instructions and User's Information Manual
- 103 Parts List
- 104 Installation Instruction Supplement for Installation Fittings
- 105 Touch-up spray paint, Vitotec, silver
- 106 Touch-up paint stick, Vitotec silver
- 107 Elbow with sensor well, 1"
- 200 Installation fittings
- 201 Temperature and pressure relief valve

Wear Parts

- 008 Gasket
- 014 Gasket

Ⓐ Rating plate



Please file in Service Binder

5265 120b 11/2007

VITOCELL-B 300

EVB Series

Model No.

Serial No.

120 USG/450 ltr 7160490□□□□□□□□□□

Parts

- 001 Top panel
- 002 Insulation blanket, top
- 003 Insulation blanket, bottom
- 004 Front cover with insulation
- 005 Insulation blanket
- 006 Support leg
- 007 Spring clip
- 008 Tank cleanout cover, 4"
- 009 Dome cover with gasket (010)
- 011 Sensor mounting hardware
- 012 Sensor well
- 013 Reduction coupling, 1 - 1/2"
- 014 Levelling bolt (each)
- 016 Flanged cover
- 017 Thermometer
- 018 Nameplate Viessmann, curved
- 031 Insulation for sensor well

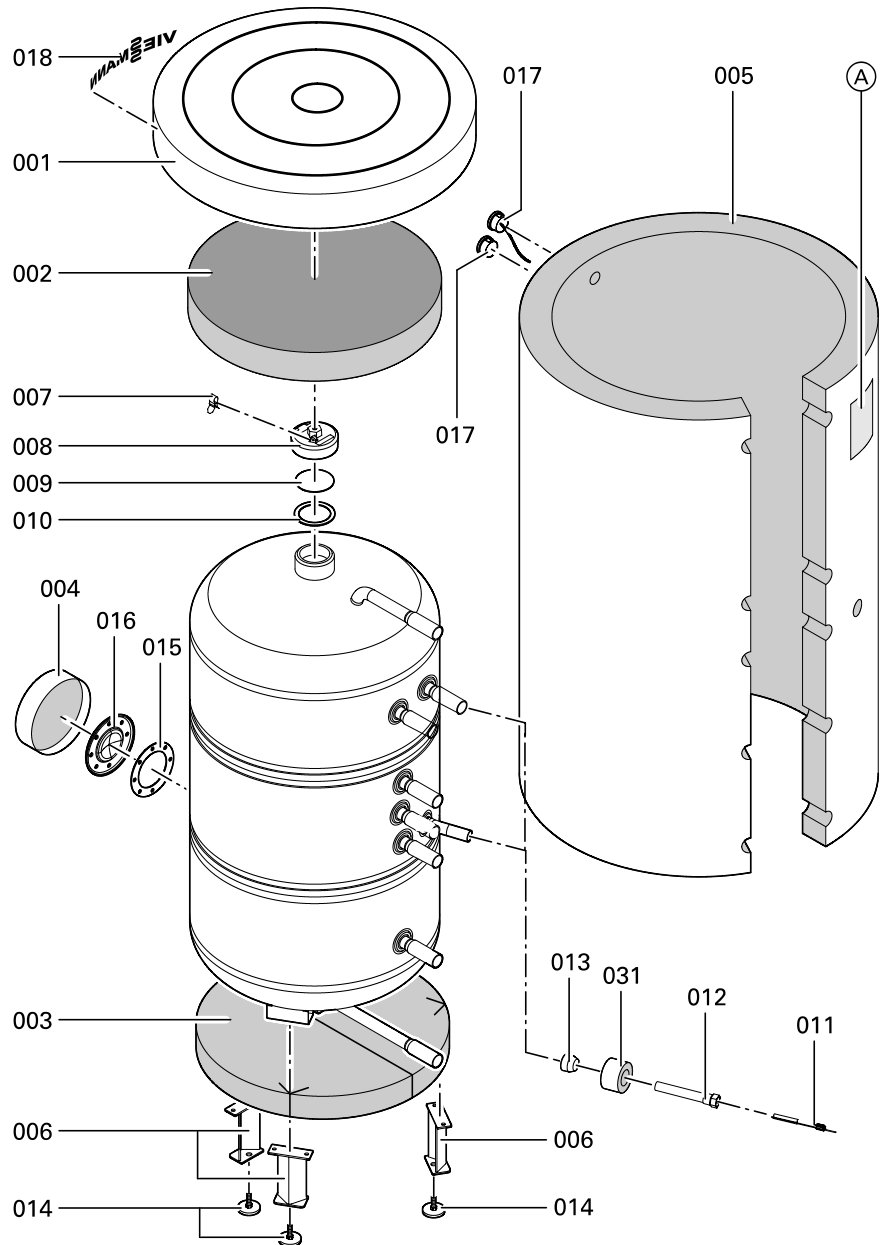
Other Parts (not illustrated)

- 100 Installation Instructions
- 101 Start-up/Service Instructions
- 102 Operating Instructions and User's Information Manual
- 103 Parts List
- 104 Installation Instruction Supplement for Installation Fittings
- 107 Elbow with sensor well, 1 1/4"
- 200 Installation fittings
- 201 Temperature and pressure relief valve

Wear Parts

- 010 Gasket
- 015 Gasket

Ⓐ Rating plate



5265 120b

VertiCell-HG/1	160L	200L	350L	450L
----------------	------	------	------	------

General Info	Price List Section:			
	Parts Catalog Section:	17		
	Series Name:	VertiCell-HG/1	(3/1992 - 8/1998)	
	Applies to serials nos. beginning with:			
	Accurate as of:	07/01/2012		

Parts List

Please refer to: Parts List
 Pos. Description

Part Numbers / Price Categories

001	Insulation Jacket Assembly	n.a. n.a.	n.a. n.a.	7306 054 ^D	7306 055 ^D
002	Insulation, Top	5133 118 ⁶	5133 118 ⁶	n.a. n.a.	n.a. n.a.
003	Top Panel	5133 923 ²¹	5133 923 ²¹	5134 694 ²¹	5133 811 ¹⁷
004	Front Panel	5136 126 ²⁰	5136 127 ²⁰	5136 507 ²³	5136 512 ²²
005	Insulation f Cover	n.a. n.a.	n.a. n.a.	5134 518 ⁵	5134 518 ⁵
006	Front Cover, 6" Opening	n.a. n.a.	n.a. n.a.	5204 647 ⁷	5204 647 ⁷
007	Gasket, Inspection Cover	n.a. n.a.	n.a. n.a.	5089 947 ³	5089 947 ³
008	Cable Channel	5134 752 ⁹	5134 753 ¹⁰	n.a. n.a.	n.a. n.a.
009	Seal, 420 mm	n.a. n.a.	n.a. n.a.	5089 946 ³	5089 946 ³
011	Leveling Feet (Set of 3)	9507 478 ³	9507 478 ³	9507 478 ³	9507 478 ³
012	Insulation Blanket-II	n.a. n.a.	n.a. n.a.	5134 688 ¹¹	5134 615 ¹³
013	Insulation Blanket-I	n.a. n.a.	n.a. n.a.	5134 687 ⁸	5134 614 ¹²
014	Insulation Blanket	n.a. n.a.	n.a. n.a.	5134 689 ³⁰	5134 613 ³²
015	Insulation Blanket, Bottom	n.a. n.a.	n.a. n.a.	5134 686 ⁸	5134 612 ¹⁰
016	Base Pan	n.a. n.a.	n.a. n.a.	7233 104 ³⁰	7232 986 ³¹
017	Back Panel	n.a. n.a.	n.a. n.a.	7233 106 ²⁷	7232 983 ²⁷
018	Side Panel, Left	n.a. n.a.	n.a. n.a.	7234 655 ²⁶	7234 657 ²⁶
019	Side Panel, Right	n.a. n.a.	n.a. n.a.	7233 108 ²⁶	7232 985 ²⁴
020	Tank Cleanout Cov,4" NoPRV	7819 665 ¹³	7819 665 ¹³	7819 665 ¹³	7819 665 ¹³
022	Dome Cover, 4"	5160 848 ⁵	5160 848 ⁵	5160 848 ⁵	5160 848 ⁵
028 W	Gasket	7819 666 ⁶	7819 666 ⁶	7819 666 ⁶	7819 666 ⁶
030	Bottom Panel	5130 946 ⁹	5130 946 ⁹	n.a. n.a.	n.a. n.a.
032	Brass Red.Coupling 3/4 - 1/2"	9583 047 ⁷	9583 047 ⁷	9583 047 ⁷	9583 047 ⁷
034	Flanged Cover,4x255x260mm	7819 691 ¹⁹	7819 691 ¹⁹	7819 691 ¹⁹	7819 691 ¹⁹
035 W	Gasket, 216 x 165 x 3mm	7819 669 ¹²	7819 669 ¹²	7819 669 ¹²	7819 669 ¹²
040	Plastic Grommet	n.a. n.a.	n.a. n.a.	5130 684 ²	5130 684 ²
041	Plastic Flange	n.a. n.a.	n.a. n.a.	5130 686 ²	5130 686 ²
042	Support Bracket Assembly	n.a. n.a.	n.a. n.a.	7813 333 ²⁵	7813 334 ³¹
043	Spring Clip	7819 225 ²	7819 225 ²	7819 225 ²	7819 225 ²
044	Frame f Thermometer Opn.	7810 806 ³	7810 806 ³	5204 646 ³	5204 646 ³
045	Thermometer, Deg. C	9507 940 ¹²	9507 940 ¹²	9507 940 ¹²	9507 940 ¹²
047	Sensor Well, 1/2"x218mm	7819 693 ¹⁴	7819 693 ¹⁴	7819 700 ¹⁵	7819 700 ¹⁵
048	Insulation, Tank Sensor Well	7231 802 ⁵	7231 802 ⁵	7231 802 ⁵	7231 802 ⁵
098	Touch-UP Spray Paint Classic ORG	9583 575 ⁹	9583 575 ⁹	9583 575 ⁹	9583 575 ⁹
099	Touch-UP Paint Stk Classic ORG	9588 907 ⁵	9588 907 ⁵	9588 907 ⁵	9588 907 ⁵
101	Touch-UP Spray Paint Classic GRY	9501 512 ⁹	9501 512 ⁹	9501 512 ⁹	9501 512 ⁹
102	Touch-UP Paint Stk Classic GRY	9501 515 ^D	9501 515 ^D	9501 515 ^D	9501 515 ^D

Notes:

160L and 200L sizes do **not** have front inspection opening.

"n.a." indicates not applicable.

"W" indicates wearing part (service).

"L" indicates literature (no charge).

"Kit" or "Other" indicates that this is not a Price Category item; contact Inside Sales for pricing.

"D" indicates discontinued.

VIESSMANN

Einzelteilliste

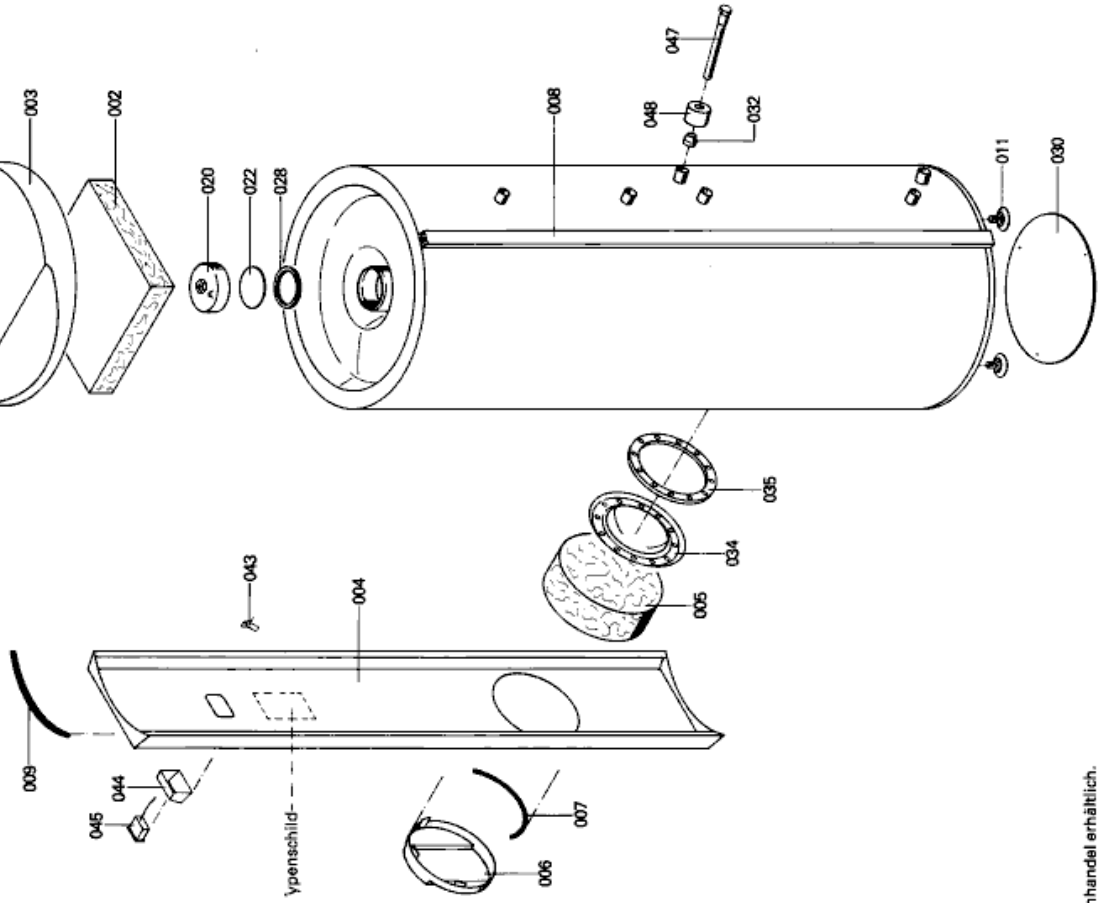
VertiCell-HG/I

100-500 I

3001 020 bis 3001 023,
3001 490 bis 3001 495

Bei Ersatzbestellungen der Heizungsfachfirma Bestell-Nr. und Herstell-Nr. (siehe Typenschild) angeben.

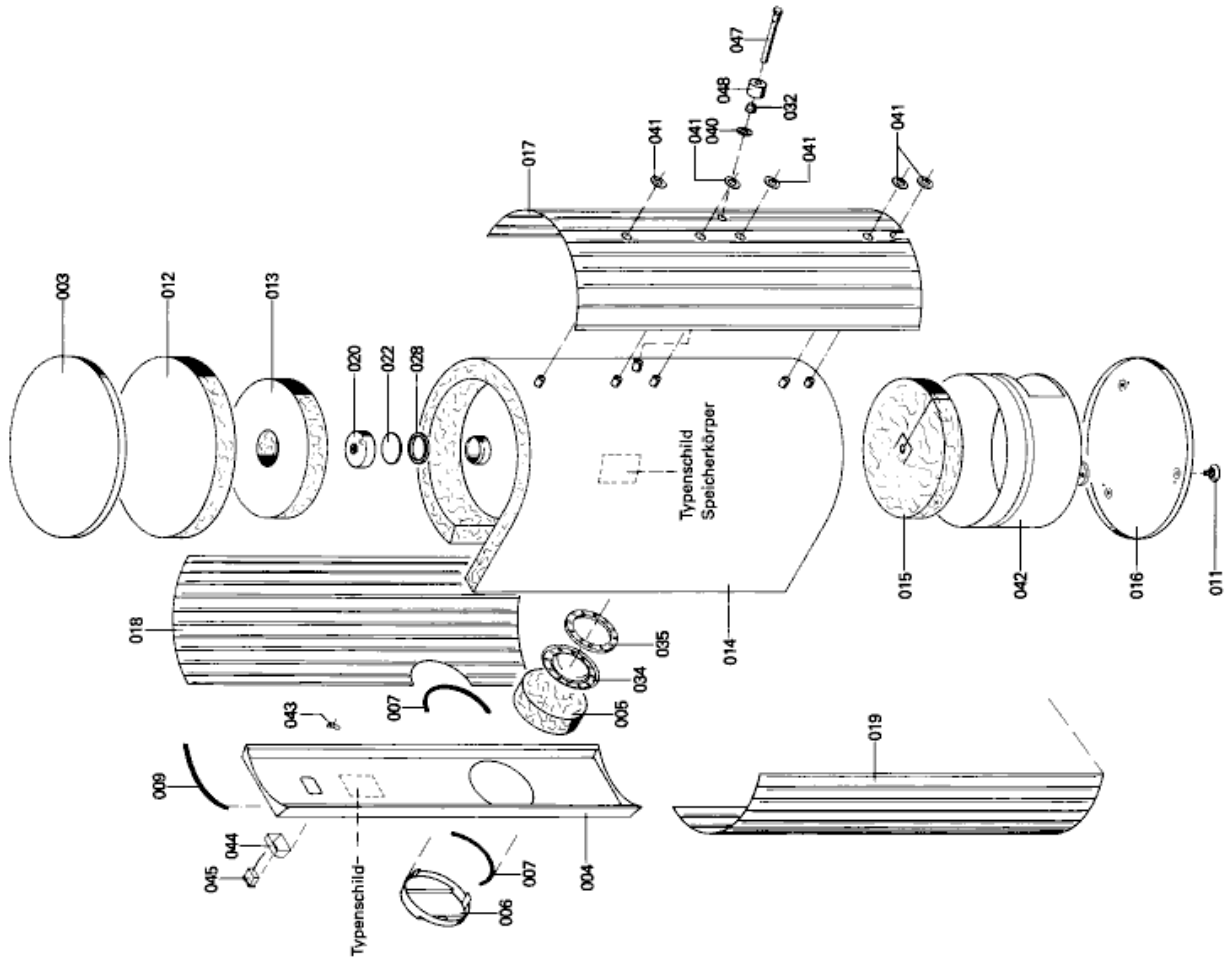
VertiCell-HG/I, 100-500 I mit Wärmedämmung aus PU-Hartschaum



Ablagehinweis: Servizetasche

Handelsübliche Teile sind im örtlichen Fachhandel erhältlich.

VertiCell-HG/L 350-500 | mit Wärmedämmung aus Mineralfaser



Handelsübliche Teile sind im örtlichen Fachhandel erhältlich.

VertiCell-NT	200L	350L	450L	
--------------	------	------	------	--

General Info	Price List Section:			
	Parts Catalog Section	17		
	Series Name:			(1985 - 1991)
	Applies to serials nos. beginning with:	3001121...	3001122...	3001123...
	Accurate as of:	07/01/2012		

Parts List

Please refer to: Parts List

Pos. Description Part Numbers / Price Categories

002	Insulation, Top	5133 118 ⁶	5133 118 ⁶	5089 780 ⁷	
003	Top Panel	5130 968 ¹⁵	5130 969 ¹⁶	5131 188 ¹⁶	
008	Cable Channel	5131 345 ¹²	5131 345 ¹²	5131 345 ¹²	
009	Insulation Blkt, Bottom	5089 779 ⁶	5089 779 ⁶	5089 779 ⁶	
011	Leveling Feet, (Set of 3)	9507 478 ³	9507 478 ³	9507 478 ³	
020	Cleanout Cover, 4" wo PRV	7260 236 ¹⁵	7260 236 ¹⁵	7260 236 ¹⁵	
028	Gasket, 112mm No Hole	7810 729 ⁸	7810 729 ⁸	7810 729 ⁸	
030	Bottom Panel	5130 946 ⁹	5130 946 ⁹	5131 194 ¹¹	
032	Coupling, Brass Red. 1-1/4 - 1/2"	7819 688 ⁷	7819 688 ⁷	7819 688 ⁷	
041	Dome Cover, 4"	5160 848 ⁵	5160 848 ⁵	5160 848 ⁵	
042 W	Gasket	7819 666 ⁶	7819 666 ⁶	7819 666 ⁶	
045	Thermometer, Deg. C	7206 370 ¹⁰	7206 370 ¹⁰	7206 370 ¹⁰	
047	Sensor Well, 1/2"x218mm	7819 693 ¹⁴	7819 693 ¹⁴	7819 693 ¹⁴	
048	Insulation, Tank Snsr Well	7231 802 ⁵	7231 802 ⁵	7231 802 ⁵	
098	Touch-UP Spray Paint Classic ORG	9583 575 ⁹	9583 575 ⁹	9583 575 ⁹	
099	Touch-UP Paint Stk Classic ORG	9588 907 ⁵	9588 907 ⁵	9588 907 ⁵	

Notes:

"n.a." indicates not applicable.

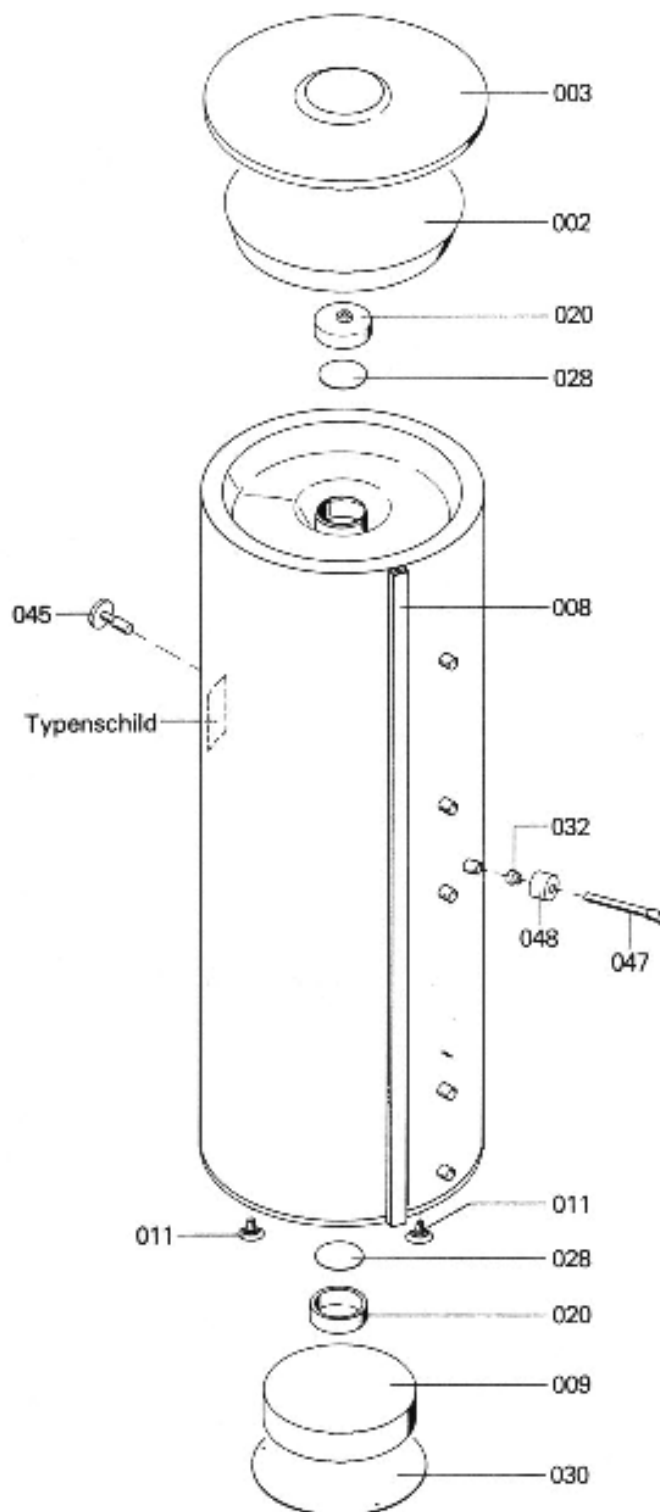
"W" indicates wearing part (service).

"L" indicates literature (no charge).

"Kit" or "Other" indicates that this is not a Price Category item; contact Inside Sales for pricing.

Bei Ersatzbestellungen der Heizungsfachfirma Bestell-Nr. und Herstell-Nr. (siehe Typenschild) angeben.

- Ohne Abbildung
- 049 Montageanleitung
- 050 Einzelteilliste
- 051 Betriebsanleitung
- 098 Sprühdosenlack, rotorange
- 099 Lackstift, rotorange



Ablagehinweis:
Servicetasche am Heizkessel

Handelsübliche Teile sind im örtlichen Fachhandel erhältlich.

Silver Support Bars

Silver Support Bars									
General Info	Price List / Product Cat. Section: 4 Series Name: vitosilver Accurate as of: 07/01/2012								
Shipping Overview									
Level 0	Price List	Z001054	Z001055	Z001056	Z001057	Z001058	Z001059	Z001060	Z001061
Level 1	Base Pan	7133 254	7133 254	7133 254	7133 255	7133 255	7133 255	7133 450	7133 254
	SupportBrSet	7133 448	7133 448	7133 450	7133 448	7133 448	7133 450	7133 467	7133 449
Level 0	Price List	Z001062	Z001063	Z001064	Z001065	Z001066			
Level 1	Base Pan	7133 255	7133 256	7133 256	7133 257	7133 257			
	SupportBrSet	7133 449	7133 449	7133 450	7133 449	7133 450			

Divicon	1-1/4"	
----------------	---------------	--

General Info	Price List Section:	5.1	
	Parts Catalog Section	19	
	Series Name:		(1997 -)
	Applies to part nos. beginning with:	7133406 ... 411	
	Accurate as of:	07/01/2012	

Parts List

Please refer to: Parts List
 Pos. Description

Part Numbers / Price Categories

001	Rebuild Kit Divicon, 1-1/4"	7811 512 ¹⁹		
004	Handle, Mixing Valve	7813 581 ⁴		
005	Rotary Valve	7812 437 ¹¹		
008	Cover f Mixing Valve	7810 027 ¹²		
010	Cover Plate Bolt, M6x10	7814 666 ¹		
011	Label, Graduated Scale	7811 256 ^{n.a.}		
013	Half Union, 1"	7816 054 ⁴		
014	Conn. Fitting (Ball Valve)	7813 973 ¹³		
015	Half Union, 1 ¼ "	7816 055 ⁵		
018 W	O-Ring Sm f Mixing Valve	7814 712 ²		
019	Cover Plate, Mix.Valve	7811 444 ⁵		
020 a	Viups-62 Replac. Circ. Pump Divicon/TMK	7133 460 ³¹		
020 b	Viups-62 Replac. Circ. Pump Divicon/KW2	7134 210 ³¹		
020 c	Viups-62 Replac. Circ. Pump Divicon/KW3	7134 213 ³¹		
021 W	Gasket, 32x44x2mm	9589 075 ¹		
022	Assly, Install and Oper Instr. Divicon	5167 109 ^L		
023	O-Ring, 103 x 3mm	7815 665 ⁵		
024	Parts List Divicon	5167 110 ^L		
025	Disk f Mixing Valve	7810 005 ⁵		
026 W	Gasket, 42x56x2mm	7815 337 ²		
027 *1	Lock Washer, Mixing Valve	7810 001 ¹		
028 W	O-Ring Set f Mix Valve	7008 432 ⁵		
031	Ball Valve, 1-1/4" w FCV	7815 709 ¹⁹		
032	Ball Valve, 1-1/4"	7815 710 ¹⁷		
033	Thermometer	7815 311 ⁷		
034	Handle f Ball Valve (RED)	7817 546 ³		
036	Handle f Ball Valve (BLU)	7815 663 ³		
040	Insulation Assly	7516 457 ¹¹		
041	Pump Flange w Insert,O-Ring	7815 716 ⁵		
043 W	O-Ring, 50x3	7814 716 ³		
044	Back Cover Plate 1-1/4"	7810 416 ⁸		
045	O-Ring Set f Pump Cover	7314 244 ⁵		
046	Pump Cover (w O-Ring Set)	7811 173 ¹⁰		
047	Pump Flange	7516 134 ¹⁶		
090	Press. Bypass Valve	7307 269 ¹⁹		

Divicon	1-1/4"	
----------------	---------------	--

General Info	Price List Section:	5.1	
	Parts Catalog Section	19	
	Series Name:		(1997 -)
	Applies to part nos. beginning with:	7133406 ... 411	
	Accurate as of:	07/01/2012	

Parts List

Please refer to: Parts List

Pos. Description Part Numbers / Price Categories

091 a	Mixing Valve Actuator Kit Tmk/Dek/HK1	7133 391 ³⁴			
091 b	Mixing Valve Actuator Kit KW2	7133 390 ⁴⁷			
091 c	Mixing Valve Actuator Kit WB2/KW3	7837 524 ⁵⁰			
POWER/PUMP CTRL MODULES:					
092 a ^{*3}	Power/Pump Ctrl Module Div-TMK-MC	7134 212 ^D			
092 b ^{*3}	Power/Pump Ctrl Module Div-TMK-MC/RN2	7133 365 ^{Other}			
092 c	Power/Pump Ctrl Module Div-TMK-RN	7133 520 ^D			
092 d	Power/Pump Ctrl Module Vitotronic 200	7133 436 ⁴¹			
092 e	Power/Pump Ctrl Module Vitotronic 300	7133 437 ³⁸			

Notes:

- *1 IMPORTANT: Order together with O-rings.
- *3 IMPORTANT: For replacement Power/Pump Control Modules of Trimatik-MC, ensure model having the correct connector is ordered!

"n.a." indicates not applicable.
 "W" indicates wearing part (service).
 "L" indicates literature (no charge).
 "Kit" or "Other" indicates that this is not a Price Category item; contact Inside Sales for pricing.

Parts List



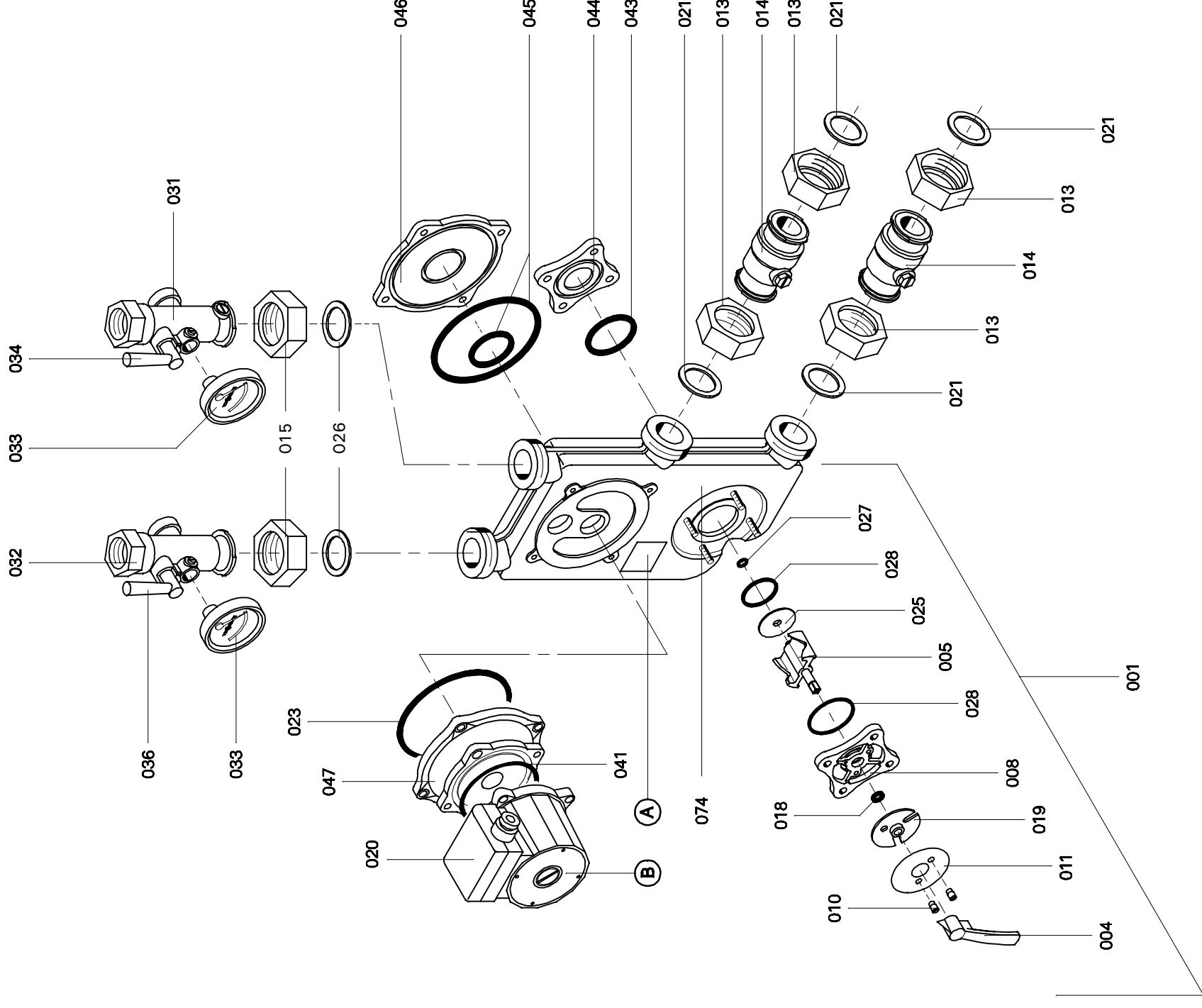
Divicon Preassembled Mixing Valve Station

Ordering Replacement Parts:
Please provide Model Number of mixing valve station and boiler control when ordering replacement parts. Order replacement components from your Viessmann distributor.

Parts

- 001 Rebuild kit (consisting of 004 to 011, 018, 019 and 025 to 028)
 - 004 Mixing valve handle
 - 005 Rotary valve (order with 028)
 - 008 Mixing valve cover (order with 028)
 - 010 Cover plate bolt
 - 011 Graduated scale
 - 013 Half union, 1"
 - 014 Boiler connection fitting (ball valve)
 - 015 Half Union, 1 1/4"
 - 018 O-Ring
 - 019 Mixing valve cover plate
 - 020 Grundfos VIUPS-62 circulation pump
 - 021 Gasket, 32x44x2mm
 - 023 Pump O-Ring
 - 025 Disk (order with 028)
 - 026 Gasket, 42x56x2mm
 - 027 Lock washer (order with 028)
 - 028 Mixing valve O-Ring set
 - 031 Ball valve c/w gravity flow check valve
 - 032 Ball valve
 - 033 Thermometer - bimetal
 - 034 handle, red
 - 036 handle, blue
 - 040 Insulation assembly
 - 041 Pump flange gasket
 - 043 O-Ring
 - 044 Mixing valve cover plate
 - 045 O-Ring set for pump cover
 - 046 Pump cover (with 045)
 - 047 Pump flange
- Other Parts (not illustrated)
- 022 Assembly, installation, and Operating Instructions
 - 024 Parts List
 - 090 Pressure activated by-pass valve
 - 091 Mixing valve motor
 - 092 Power/Pump Control Module

- Ⓐ Rating plate
- Ⓑ Pump rating plate



Viessmann Mixing Valves

Viessmann Mixing Valves	3/4"	1"	1-1/4"	1-1/2"	2"	2-1/2"	
General Info	Price List Section:			5.2			
	Parts Catalog Section			20			
	Accurate as of:			07/01/2012			
Shipping Overview	4-Way Mixing Valves						
1/2000 - 9/2006	7133 014	7133 015	7133 016	7133 017	7133 018	7133 019	
9/2006 - present	7134 736	7134 737	7134 738	7134 739	7134 740	7134 741	
	3-Way Mixing Valves						
1/2000 - 9/2006	7133 020	7133 021	7133 022	7133 023	7133 024		
9/2006 - present	7134 742	7134 743	7134 744	7134 745	7134 746		

Viessmann Mixing Valves

Mixing Valves	2"	2-1/2"	
---------------	----	--------	--

General Info Price List Section:
 Parts Catalog Section
 Series Name: (1989 -)
 Applies to serials nos. beginning with:
 Accurate as of: 07/01/2012

Parts List

Please refer to: Parts List
 Pos. Description

Part Numbers / Price Categories

4-Way Mixing Valves

Price List

7133 018 ⁴²	7133 019 ⁴⁷		
7134 740 ⁴²	7134 741 ⁴⁷		

001	Rebuild Kit	7811 514 ²²	7811 515 ³⁰		
002	Handle	7810 052 ⁵	7810 052 ⁵		
003	Cover Assly	7811 497 ¹⁸	7811 498 ²⁴		
004	Rotary Valve	7811 504 ¹⁴	7811 505 ¹⁷		
005	Cover Plate	7811 486 ⁵	7811 486 ⁵		
006 *	Lock Washer	7810 031 ^D	7810 031 ^D		
007	O-Ring (Sm)	7814 713 ²	7814 713 ²		
008	O-Ring (Med)	7814 718 ³	7814 720 ⁴		
009	O-Ring (Med/Lg)	7814 719 ³	7814 721 ⁴		
011 a	Label, 3/4" 4-Way Mix Valve OpLft	5167 029 ^{n.a.}	5167 030 ^{n.a.}		
011 b	Label, 3/4" 4-Way Mix Valve OpRight	5167 039 ^{n.a.}	5167 040 ^{n.a.}		
012	Disk	7810 035 ^D	7810 036 ^D		
013	Install. Instr. 4-Way Mixing Valve	5167 042 ^L	5167 042 ^L		
014	Parts List 4-Way Mixing Valve	5285 307 ^L	5285 307 ^L		
015 W	O-Ring Set	7008 436 ⁶	7008 439 ⁷		
018	Cover	7810 007 ¹²	5001 455 ¹²		

Notes:

- * order together with O-Rings.
- "n.a." indicates not applicable.
- "W" indicates wearing part (service).
- "L" indicates literature (no charge).
- "Kit" or "Other" indicates that this is not a Price Category item;
- "D" indicates discontinued.

Viessmann Mixing Valves

Mixing Valves	3/4"	1"	1-1/4"	1-1/2"
----------------------	-------------	-----------	---------------	---------------

General Info	Price List Section:	5.2
	Parts Catalog Section	20
	Series Name:	(1989 -)
	Applies to serials nos. beginning with:	not applicable
	Accurate as of:	07/01/2012

Parts List

Please refer to: Parts List
Pos. Description

Part Numbers / Price Categories

4-Way Mixing Valves

Price List

7134 736 ³³	7134 737 ³⁴	7134 738 ³⁶	7133 017 ³⁸
7134 736 ³³	7134 737 ³⁴	7134 738 ³⁶	7134 739 ³⁸

001	Rebuild Kit	7811 751 ¹⁷	7811 511 ¹⁷	7811 512 ¹⁹	7811 513 ²¹
002	Handle	7813 581 ⁴	7813 581 ⁴	7813 581 ⁴	7813 581 ⁴
003	Cover Assly	7811 752 ¹³	7811 499 ¹⁴	7811 500 ¹⁵	7811 496 ¹⁶
004	Rotary Valve	7811 476 ¹¹	7811 476 ¹¹	7811 502 ¹¹	7811 503 ¹³
005	Cover Plate	7811 444 ⁵	7811 444 ⁵	7811 444 ⁵	7811 444 ⁵
006 *	Lock Washer	7810 001 ¹	7810 001 ¹	7810 001 ¹	7810 001 ¹
007	O-Ring (Sm)	7814 712 ²	7814 712 ²	7814 712 ²	7814 712 ²
008	O-Ring (Med)	9039 024 ³	9039 024 ³	7814 715 ³	7814 726 ³
009	O-Ring (Med/Lg)	7814 726 ³	7814 726 ³	7814 716 ³	7814 717 ³
011 a	Label, 3/4" 4-Way Mix Valve OpLft	5167 025 ^{n.a.}	5167 026 ^{n.a.}	5167 027 ^{n.a.}	5167 028 ^{n.a.}
011 b	Label, 3/4" 4-Way Mix Valve OpRight	5167 035 ^{n.a.}	5167 036 ^{n.a.}	5167 037 ^{n.a.}	5167 038 ^{n.a.}
012	Disk	7810 004 ⁴	7810 004 ⁴	7810 005 ⁵	7811 450 ²¹
013	Install. Instr. 4-Way Mixing Valve	5167 042 ^L	5167 042 ^L	5167 042 ^L	5167 042 ^L
014	Parts List 4-Way Mixing Valve	5285 307 ^L	5285 307 ^L	5285 307 ^L	5285 307 ^L
015 W	O-Ring Set	7008 431 ⁵	7008 431 ⁵	7008 432 ⁵	7008 434 ⁵
018	Cover	7810 026 ¹¹	7810 026 ¹¹	7810 027 ¹²	7810 028 ¹²

Notes:

* order together with O-Rings.

"n.a." indicates not applicable.

"W" indicates wearing part (service).

"L" indicates literature (no charge).

"Kit" or "Other" indicates that this is not a Price Category item; contact Inside Sales for pricing.

"D" indicates discontinued.

4-Way Mixing Valves

7133 014 - 7133 019

Please file in Service Binder

Ordering Replacement Parts:

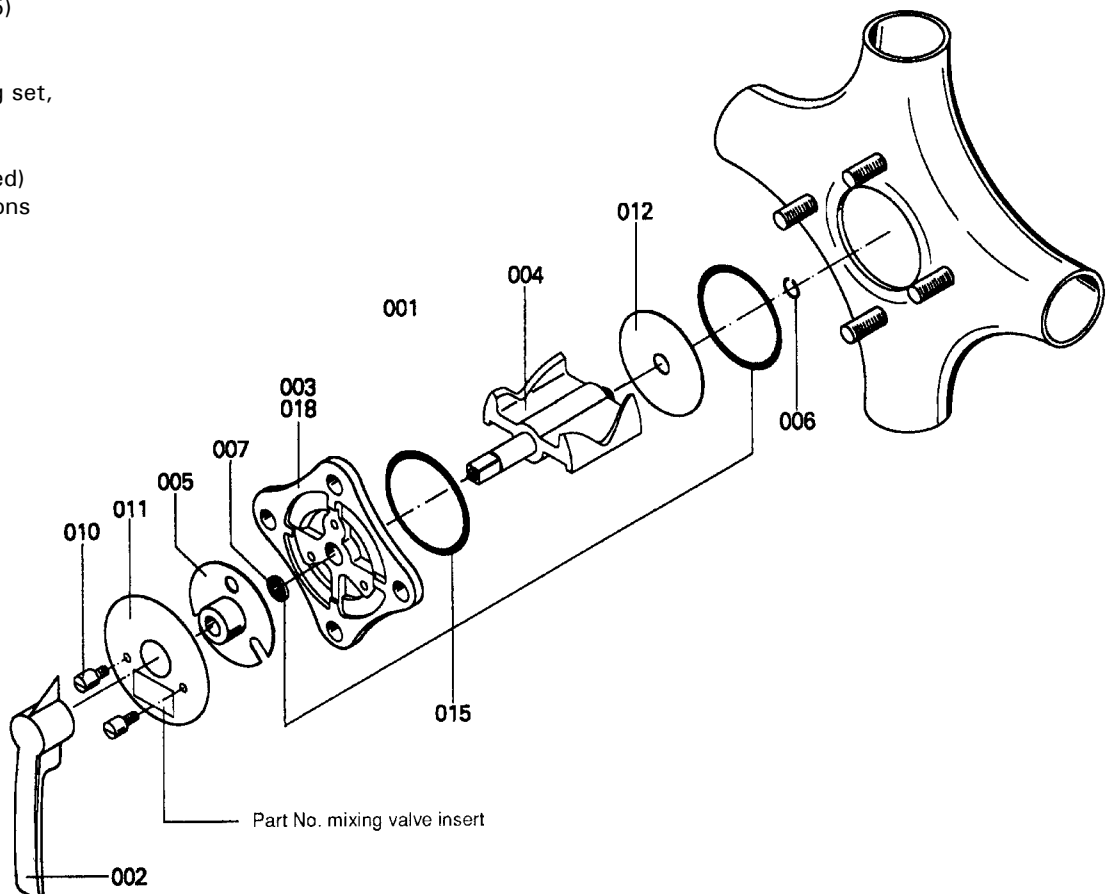
Please provide product part no. or size when ordering replacement parts. Order replacement components from your Viessmann distributor.

Parts

- 001 Rebuild kit
(items 004, 005, 010, 011 and 018)
- 002 Handle
- 003 Cover assembly
(items 005, 010, 011, 015 and 018)
- 004 Rotary valve
(items 006, 012 and 015)
- 005 Cover plate
- 006 Lock washer (to be ordered together with O-Ring set, item 015)
- 007 O-Ring
- 011 Label
- 012 Disk (to be ordered together with O-Ring set, item 015)
- 015 O-Ring set
- 018 Cover (to be ordered together with O-Ring set, item 015)

Other Parts (not illustrated)

- 013 Installation Instructions
- 014 Parts List



Viessmann Mixing Valves

Mixing Valves	3/4"	1"	1-1/4"	1-1/2"
----------------------	-------------	-----------	---------------	---------------

General Info	Price List Section:	5.2	
	Parts Catalog Section	20	
	Series Name:		(1989 -)
	Applies to serials nos. beginning with:	not applicable	
	Accurate as of:	07/01/2012	

Parts List

Please refer to: Parts List
Pos. Description

Part Numbers / Price Categories

3-Way Mixing Valves

Price List

7134 742 ³²	7134 743 ³³	7134 744 ³⁵	7134 745 ³⁷
7134 742 ³²	7134 743 ³³	7134 744 ³⁵	7134 745 ³⁷

001	Rebuild Kit	7811 749 ¹⁷	7811 448 ¹⁷	7811 449 ¹⁹	7811 450 ²¹
002	Handle	7813 581 ⁴	7813 581 ⁴	7813 581 ⁴	7813 581 ⁴
003	Cover Assly	7811 750 ¹⁴	7811 445 ¹⁵	7811 445 ¹⁵	7811 447 ¹⁶
004	Rotary Valve	7811 471 ¹¹	7002 705 ¹²	7002 705 ¹²	7811 450 ²¹
005	Cover Plate	7811 444 ⁵	7811 444 ⁵	7811 444 ⁵	7811 444 ⁵
006 *	Lock Washer	7810 001 ¹	7810 001 ¹	7810 001 ¹	7810 001 ¹
007	O-Ring (Sm)	7814 712 ²	7814 712 ²	7814 712 ²	7814 712 ²
008	O-Ring (Med)	9039 024 ³	7814 715 ³	7814 715 ³	7814 726 ³
009	O-Ring (Med/Lg)	7814 726 ³	7814 716 ³	7814 716 ³	7814 717 ³
011 a	Label, 3/4, 1" 3-Way Mix Valve OpLft	5167 021 ^{n.a.}	5167 021 ^{n.a.}	5167 022 ^{n.a.}	5167 023 ^{n.a.}
011 b	Label, 3/4, 1" 3-Way Mix Valve OpRght	5167 031 ^{n.a.}	5167 031 ^{n.a.}	5167 032 ^{n.a.}	5167 033 ^{n.a.}
012	Disk	7810 004 ⁴	7810 005 ⁵	7810 005 ⁵	7811 450 ²¹
013	Install. Instr.	5167 042 ^L	5167 042 ^L	5167 042 ^L	5167 042 ^L
014	Parts List 3-Way Mixing Valve	5285 308 ^L	5285 308 ^L	5285 308 ^L	5285 308 ^L
015 W	O-Ring Set	7008 431 ⁵	7008 432 ⁵	7008 432 ⁵	7008 434 ⁵
018	Cover	7810 026 ¹¹	7810 026 ¹¹	7810 027 ¹²	7810 028 ¹²

Notes:

* order together with O-Rings.

"n.a." indicates not applicable.

"W" indicates wearing part (service).

"L" indicates literature (no charge).

"Kit" or "Other" indicates that this is not a Price Category item; contact Inside Sales for pricing.

"D" indicates discontinued.

Viessmann Mixing Valves

Mixing Valves	2"	2-1/2"	
----------------------	-----------	---------------	--

General Info Price List Section:
 Parts Catalog Section
 Series Name: (1989 -)
 Applies to serials nos. beginning with:
 Accurate as of: 07/01/2012

Parts List

Please refer to: Parts List
 Pos. Description

Part Numbers / Price Categories

3-Way Mixing Valves

Price List

7134 746 ⁴¹			
7134 746 ⁴¹			

001	Rebuild Kit	7811 590 ²²		
002	Handle	7810 052 ⁵		
003	Cover Assly	7811 592 ¹⁸		
004	Rotary Valve	7811 589 ¹⁴		
005	Cover Plate	7811 486 ⁵		
006 *	Lock Washer	7810 031 ^D		
007	O-Ring (Sm)	7814 713 ²		
008	O-Ring (Med)	7814 718 ³		
009	O-Ring (Med/Lg)	7814 719 ³		
011 a	Label, 3/4, 1" 3-Way Mix Valve OpLft	5167 024 ^{n.a.}		
011 b	Label, 3/4, 1" 3-Way Mix Valve OpRght	5167 034 ^{n.a.}		
012	Disk	7810 035 ^D		
013	Install. Instr.	5167 042 ^L		
014	Parts List 3-Way Mixing Valve	5285 308 ^L		
015 W	O-Ring Set	7008 436 ⁶		
018	Cover	7810 007 ¹²		

Notes:

- * order together with O-Rings.
- "n.a." indicates not applicable.
- "W" indicates wearing part (service).
- "L" indicates literature (no charge).
- "Kit" or "Other" indicates that this is not a Price Category item;
- "D" indicates discontinued.

3-Way Mixing Valves

7133 020 - 7133 024

Please file in Service Binder

Ordering Replacement Parts:

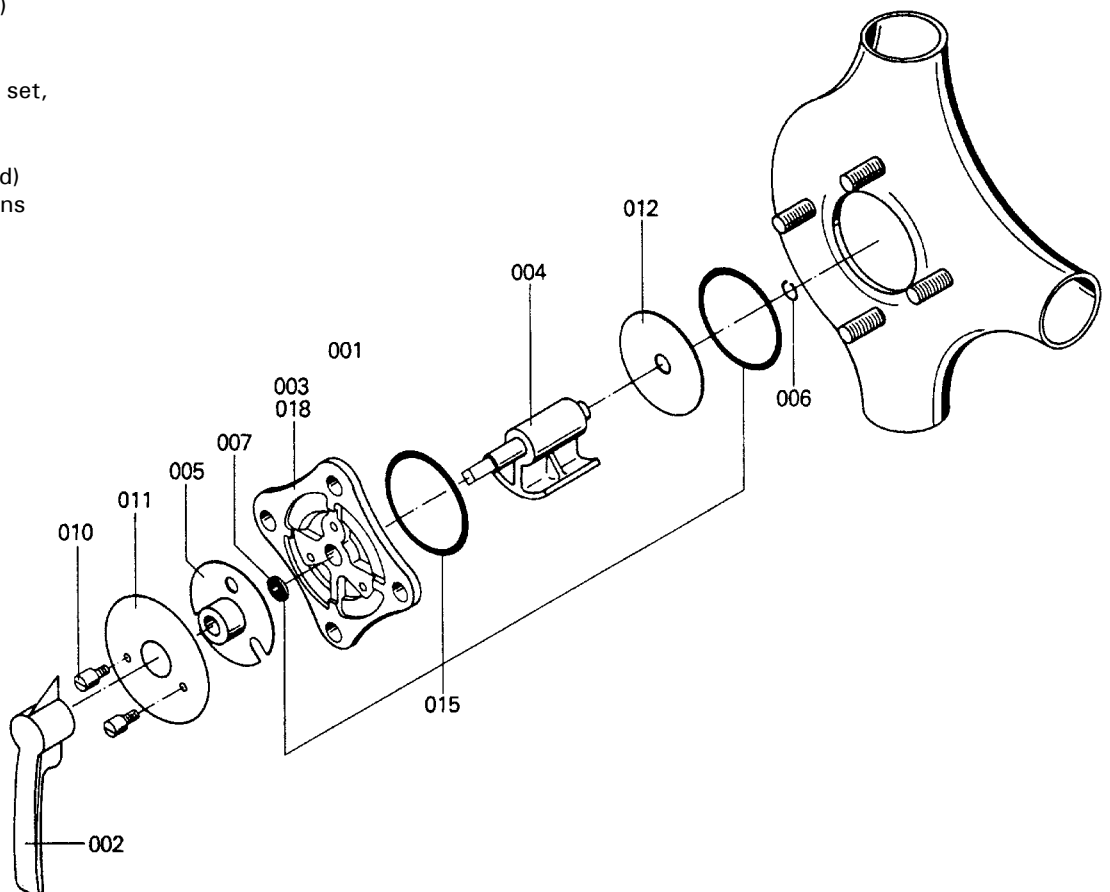
Please provide product part no. or size when ordering replacement parts. Order replacement components from your Viessmann distributor.

Parts

- 001 Rebuild kit
(items 004, 005, 010, 011 and 018)
- 002 Handle
- 003 Cover assembly
(items 005, 010, 011, 015 and 018)
- 004 Rotary valve
(items 006, 012 and 015)
- 005 Cover plate
- 006 Lock washer (to be ordered together with O-Ring set, item 015)
- 007 O-Ring
- 011 Label
- 012 Disk (to be ordered together with O-Ring set, item 015)
- 015 O-Ring set
- 018 Cover (to be ordered together with O-Ring set, item 015)

Other Parts (not illustrated)

- 013 Installation Instructions
- 014 Parts List



Mixing Valve Actuators

Mixing Valve Actuators		7133391 f Dek/KW2/HK1	7133390 f KW2	7133392 f WB2x / KW3	
General Info	Price List Section:	5			
	Parts Catalog Section	20			
	Series Name:	(1/2000 - present)			
	Applies to serials nos. beginning with:	7133391...	7133390...	7133392...	
	Accurate as of:	07/01/2012			

Parts List

Please refer to: Parts List
Pos. Description

Part Numbers / Price Categories

Pos.	Description	Part Numbers	Price Categories
013	Connection Cover	n.a. n.a.	n.a. n.a. 7822 829 ⁷
014	Housing Cover Mixing Valve Motor	7811 046 ⁵	7818 835 ⁷ 7822 830 ⁷
022	Motor Module	n.a. n.a.	n.a. n.a.
023	Handle f Mixing Valve Motor	7810 198 ⁴	7810 198 ⁴ 7810 198 ⁴
025	Base Plate	7811 035 ⁴	7811 035 ⁴ 7811 035 ⁴
026	Mounting Kit	7408 833 ⁵	7408 833 ⁵ 7408 833 ⁵
041	Sensor #2 (Strap-On w Cable)	7183 288 ¹⁹	7183 288 ¹⁹ 7183 288 ¹⁹
052	Circuit Board (Mixing Valve Motor) 120V	n.a. n.a.	n.a. n.a. 7837 929 ³⁷
069	Access. Pack (Strain Reliefs) MV Motor	7818 619 ⁵	7818 619 ⁵ 7415 181 ⁷
072	Connecting Cable #145, KM-BUS	n.a. n.a.	n.a. n.a. 7819 022 ⁹
080	Technical Literature	5265 559 ^L	7133 289 ^{n.a.} 7133 291 ^{n.a.}
090	Fuse, 4.0A/250V (Pkg of 10)	n.a. n.a.	n.a. n.a. 7404 364 ⁶
094	Screw Cap f Fuse	n.a. n.a.	n.a. n.a. 7815 427 ⁴
100	Motor Drive, 120V	9527 162 ¹³	9527 162 ¹³ 9527 162 ¹³

Notes:

- "n.a." indicates not applicable.
- "W" indicates wearing part (service).
- "L" indicates literature (no charge).

Mixing Valve Actuators

Mixing Valve Actuators	7837524 f WB2x KW3	
-------------------------------	---------------------------------------	--

General Info	Price List Section:	5	
	Parts Catalog Section	20	
	Series Name:		(9/2011 - present)
	Applies to serials nos. beginning with:	7301063	
	Accurate as of:	07/01/2012	

Parts List

Please refer to: Parts List
Pos. Description

Part Numbers / Price Categories

Pos.	Description	Part Numbers / Price Categories			
010	Replacement MV Controller	7494 314 ⁴⁶			
030	Access. Pack (MV Motor, housing)	7832 364 ⁹			
040	Sensor #2 (supply, NTC) w 5.8m cable	7832 365 ²¹			
070	Power Cable	9641 170 ¹²			
080	Connecting Cable #145, KM-BUS	7832 392 ⁶			
120	Motor Drive, 120V	9527 162 ¹³			
130	Handle f Mixing Valve Motor	7833 683 ⁷			
140	Base Plate	7811 035 ⁴			
150	Access. Pack (MV Motor, mounting bolts)	7833 677 ¹¹			
160	Access. Pack (Strain Reliefs)	7415 181 ⁷			
170 W	Fuse, 2.0A/250V (Pkg of 10)	7404 363 ⁶			
190	Install/Service Instr.	5600 694 ^L			
200	Parts List	5600 695 ^L			

Notes:

- "n.a." indicates not applicable.
- "W" indicates wearing part (service).
- "L" indicates literature (no charge).

Parts List



Mixing Valve Controller with Motor-Logic

Part No. 7837 524

Serial No. 7301063□□□□□□□□□□

for use with
VITODENS 200
VITOTRONIC 300
and Viessmann Mixing Valves

Ordering Replacement Parts:

Please provide Model and Serial Number from rating plate when ordering replacement parts. Order replacement components from your Viessmann distributor.

Parts

- 010 Replacement mixing valve controller (no accessories)
- 040 Supply temperature sensor #2 with 5.8m cable
- 070 Power cable
- 080 Connecting cable #145 for KM-BUS
- 130 Handle for mixing valve motor
- 140 Base plate
- 150 Accessory pack of mounting bolts

Other Parts (not illustrated)

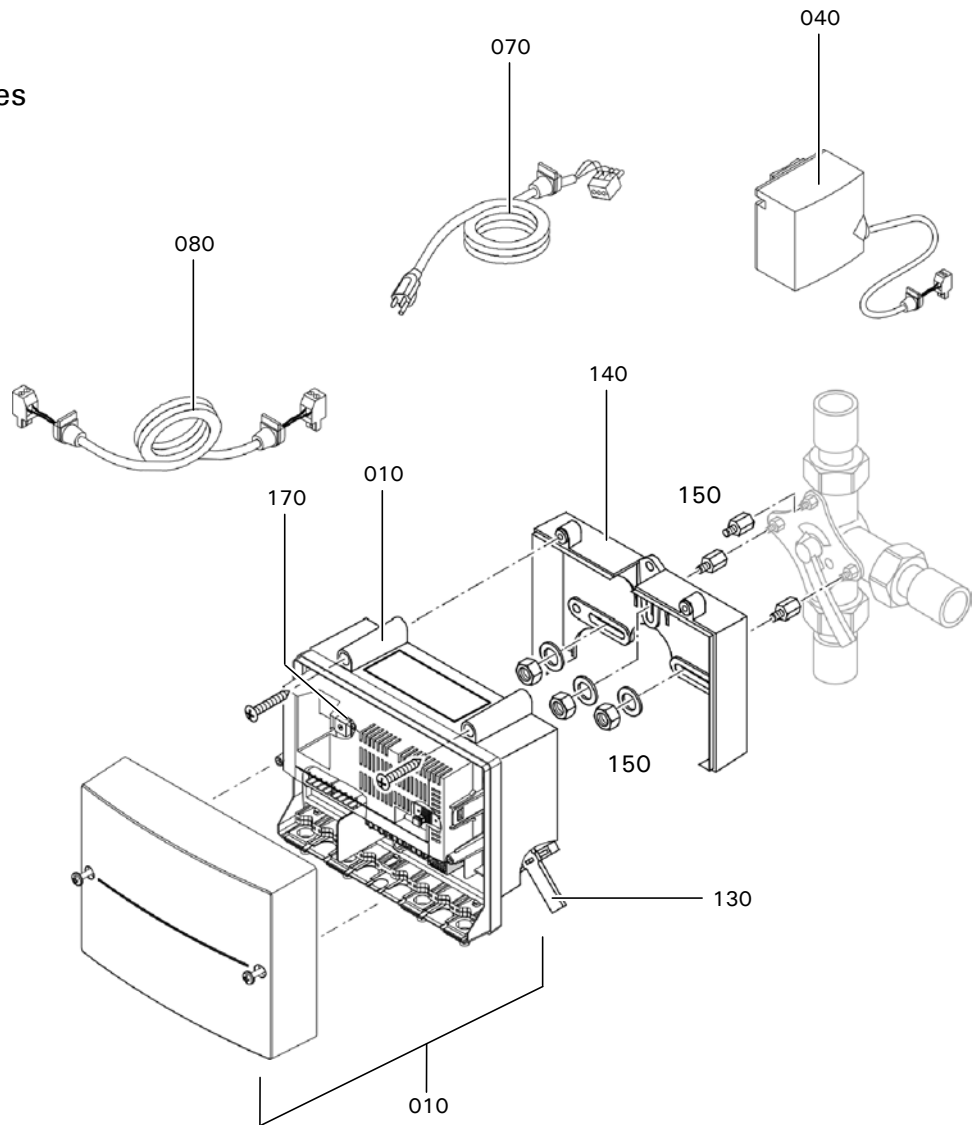
- 030 Accessory pack for mixing valve motor housing
- 120 Motor drive, 120V
- 160 Accessory pack of strain reliefs
- 190 Installation/Service Instructions
- 200 Parts List

Wear Parts

- 170 Fuse, 2.0A/250V *1 (package of 10)

*1 One spare fuse is included with all units shipped from the factory.

See separate Parts List for Mixing Valve.



Please file in Service Binder

Wall Vent Systems

Tjernlund

Wall Vent Systems	SS2	SS1C	
	Oil	Oil	
	VB2-18/22/33	VB2-40/50/63	
	VR2-18/22/27/33	VR2-40/50/63	
	7133 423	7133 425	
	7133 424	7133 426	

General Info	Price List Section:	5	
	Parts Catalog Section	20	
	Start Date	1993 -	1993 -
	End Date	present	present
	Accurate as of:	07/01/2012	

Parts List

Please refer to: Parts List
Pos. Description

Part Numbers / Price Categories

005 *1	Motor Kit	n.a. n.a.	n.a. n.a.		
010	Motor Kit	9560 194 ^D	9543 985 ³⁸		
015	Shaft Extension	n.a. n.a.	n.a. n.a.		
020	Blower Wheel	9560 220 ¹⁶	9549 702 ¹⁵		
025 a	Fan Prover	9549 838 ²⁰	9549 700 ²³		
025 b	Fan Prover (internal J-Box)	9560 221 ¹⁸	n.a. n.a.		
030	Housing	n.a. n.a.	n.a. n.a.		
035 a	Timer Relay	9544 198 ²²	9544 198 ²²		
035 b	Isolation Relay	n.a. n.a.	n.a. n.a.		
035 c	Circuit Board UC1	7419 723 ²⁵	7419 723 ²⁵		
040	Side Wall Vent Hood	n.a. n.a.	n.a. n.a.		
045	High Limit Kit	9560 218 ¹⁵	9549 701 ¹⁷		
050	Install. Instr. Supp. WVS	5265 685 ^L	5265 685 ^L		

Notes:

*1 IMPORTANT May need shaft extension 015 if old shaft extension cannot be removed

"n.a." indicates not applicable.

"W" indicates wearing part (service).

"L" indicates literature (no charge).

"Kit" or "Other" indicates that this is not a Price Category item; contact Inside Sales for pricing.

Wall Vent Systems

Tjernlund

Wall Vent Systems	HST-J	HST-1	HST-2
	NG/LP	NG/LP	NG/LP
	VB2-18/22	VB2-33/40/50	VB2-63
	GS1-22/29	GS1-35/42/48/60	GS10-72, RS-08
	7133 412	7133 414	7133 416
	7133 413	7133 415	7133 417
			7133 421

General Info	Price List Section:	5		
	Parts Catalog Section	20		
	Start Date	1993 -	1993 -	1993 -
	End Date	present	present	12/2007
	Accurate as of:	07/01/2012		

Parts List

Please refer to: Parts List
Pos. Description

Part Numbers / Price Categories

Pos.	Description	HST-J	HST-1	HST-2
005 *1	Motor Kit	n.a. n.a.	n.a. n.a.	n.a. n.a.
010	Motor Kit	9543 987 ²²	9543 987 ²²	9543 986 ³³
015	Shaft Extension	n.a. n.a.	n.a. n.a.	n.a. n.a.
020	Blower Wheel	9543 695 ¹⁴	9543 984 ¹⁴	9543 696 ¹⁶
025 a	Fan Prover	9544 234 ¹⁷	9544 234 ¹⁷	9543 988 ¹⁸
025 b	Fan Prover (internal J-Box)	n.a. n.a.	n.a. n.a.	n.a. n.a.
030	Housing	n.a. n.a.	n.a. n.a.	n.a. n.a.
035 a	Timer Relay	9544 198 ²²	9544 198 ²²	9544 198 ²²
035 b	Isolation Relay	n.a. n.a.	n.a. n.a.	n.a. n.a.
035 c	Circuit Board UC1	n.a. n.a.	n.a. n.a.	n.a. n.a.
040	Side Wall Vent Hood	n.a. n.a.	9549 452 ²⁶	9549 452 ²⁶
045	High Limit Kit	n.a. n.a.	n.a. n.a.	n.a. n.a.
050	Install. Instr. Supp. WVS	5167 944 ^L	5167 944 ^L	5265 684 ^L

Notes:

*1 IMPORTANT May need shaft extension 015 if old shaft extension cannot be removed

"n.a." indicates not applicable.

"W" indicates wearing part (service).

"L" indicates literature (no charge).

"Kit" or "Other" indicates that this is not a Price Category item; contact Inside Sales for pricing.

Wall Vent Systems

Tjernlund

Wall Vent Systems	HST-J	HST-1	HST-1	
	NG/LP ECD-65/80	NG/LP ECD-100/115	NG/LP ECD-140...200	
	7133 418	7133 419	7133 420	

General Info	Price List Section:	5		
	Parts Catalog Section	20		
	Start Date	1993 -	1993 -	1993 -
	End Date	present	present	3/2007
	Accurate as of:	07/01/2012		

Parts List

Please refer to: Parts List
Pos. Description

Part Numbers / Price Categories

Pos.	Description				
005 *1	Motor Kit	n.a. n.a.	n.a. n.a.	n.a. n.a.	
010	Motor Kit	9543 987 ²²	9543 987 ²²	9543 987 ²²	
015	Shaft Extension	n.a. n.a.	n.a. n.a.	n.a. n.a.	
020	Blower Wheel	9543 695 ¹⁴	9543 984 ¹⁴	9543 984 ¹⁴	
025 a	Fan Prover	9544 234 ¹⁷	9544 234 ¹⁷	9544 234 ¹⁷	
025 b	Fan Prover (internal J-Box)	n.a. n.a.	n.a. n.a.	n.a. n.a.	
030	Housing	n.a. n.a.	n.a. n.a.	n.a. n.a.	
035 a	Timer Relay	9544 198 ²²	9544 198 ²²	9544 198 ²²	
035 b	Isolation Relay	n.a. n.a.	n.a. n.a.	n.a. n.a.	
035 c	Circuit Board UC1	n.a. n.a.	n.a. n.a.	n.a. n.a.	
040	Side Wall Vent Hood	9549 865 ²⁷	9549 865 ²⁷	9549 452 ²⁶	
045	High Limit Kit	n.a. n.a.	n.a. n.a.	n.a. n.a.	
050	Install. Instr. Supp. WVS	5167 944 ^L	5167 944 ^L	5167 944 ^L	

Notes:

*1 IMPORTANT May need shaft extension 015 if old shaft extension cannot be removed

"n.a." indicates not applicable.

"W" indicates wearing part (service).

"L" indicates literature (no charge).

"Kit" or "Other" indicates that this is not a Price Category item; contact Inside Sales for pricing.

Wall Vent Systems

Tjernlund

Wall Vent Systems	HSJ with UC1	HS1 with UC1	HS1 with UC1	HS2 with UC1
	NG/LP	NG/LP	NG/LP	NG/LP
	VB2-18	VB2-22	VB2-33/40/50	VB2-63
	GS1-22	GS1-29	GS1-35/42/48/60	GS10 / RS-08
	7134 616	7134 617	7134 618	7134 619 7134 622

General Info	Price List Section:	5			
	Parts Catalog Section	20			
	Start Date	Future	Future	8/2005 - present	8/2005 - present
	End Date				
	Accurate as of:	07/01/2012			

Parts List

Please refer to: Parts List
Pos. Description

Part Numbers / Price Categories

Pos.	Description	HSJ	HS1	HS1	HS2
005 *1	Motor Kit	n.a. n.a.	n.a. n.a.	n.a. n.a.	n.a. n.a.
010	Motor Kit	9543 987 ²²	9543 987 ²²	9543 987 ²²	9543 986 ³³
015	Shaft Extension	n.a. n.a.	n.a. n.a.	n.a. n.a.	n.a. n.a.
020	Blower Wheel	9543 695 ¹⁴	9543 984 ¹⁴	9543 984 ¹⁴	9543 696 ¹⁶
025 a	Fan Prover	9544 234 ¹⁷	9544 234 ¹⁷	9544 234 ¹⁷	9543 988 ¹⁸
025 b	Fan Prover (internal J-Box)	n.a. n.a.	n.a. n.a.	n.a. n.a.	n.a. n.a.
030	Housing	n.a. n.a.	n.a. n.a.	n.a. n.a.	n.a. n.a.
035 a	Timer Relay	n.a. n.a.	n.a. n.a.	n.a. n.a.	n.a. n.a.
035 b	Isolation Relay	n.a. n.a.	n.a. n.a.	n.a. n.a.	n.a. n.a.
035 c	Circuit Board UC1	7419 723 ²⁵	7419 723 ²⁵	7419 723 ²⁵	7419 723 ²⁵
040	Side Wall Vent Hood	9549 865 ²⁷	9549 865 ²⁷	9549 452 ²⁶	9549 452 ²⁶
045	High Limit Kit	n.a. n.a.	n.a. n.a.	n.a. n.a.	n.a. n.a.
050	Install. Instr. Supp. WVS	5265 684 ^L	5265 684 ^L	5265 684 ^L	5265 684 ^L

Notes:

*1 IMPORTANT May need shaft extension 015 if old shaft extension cannot be removed

"n.a." indicates not applicable.

"W" indicates wearing part (service).

"L" indicates literature (no charge).

"Kit" or "Other" indicates that this is not a Price Category item; contact Inside Sales for pricing.

Wall Vent Systems

Tjernlund

Wall Vent Systems	HSJ with UC1 NG/LP ECD-65/80 7134 620	HS1 with UC1 NG/LP ECD-140...200 7134 621	HS4 prior to UC1 NG/LP RS-11/14 7133 422	HS4 with UC1 NG/LP RS-11/14 7419 721
-------------------	---	---	--	--

General Info	Price List Section:	5			
	Parts Catalog Section	20			
	Start Date	Future	3/2007 - present	1993 - 5/2009	5/2009 - present
	End Date				
	Accurate as of:	07/01/2012			

Parts List

Please refer to: Parts List
Pos. Description

Part Numbers / Price Categories

Pos.	Description	Part Numbers	Price Categories
005 *1	Motor Kit	n.a. n.a.	n.a. n.a. 9560 209 42 9560 209 42
010	Motor Kit	9543 987 22	9543 987 22 n.a. n.a. n.a.
015	Shaft Extension	n.a. n.a.	n.a. n.a. 9560 211 15 9560 211 15
020	Blower Wheel	9543 695 14	9543 984 14 9560 210 23 9560 210 23
025 a	Fan Prover	9544 234 17	9544 234 17 9549 808 21 9549 808 21
025 b	Fan Prover (internal J-Box)	n.a. n.a.	n.a. n.a. n.a. n.a.
030	Housing	n.a. n.a.	n.a. n.a. 9560 212 40 9560 212 40
035 a	Timer Relay	n.a. n.a.	n.a. n.a. n.a. n.a.
035 b	Isolation Relay	n.a. n.a.	n.a. n.a. 9560 213 14 n.a. n.a.
035 c	Circuit Board UC1	7419 723 25	7419 723 25 n.a. n.a. 7419 723 25
040	Side Wall Vent Hood	9549 865 27	9549 452 26 9549 761 40 9549 761 40
045	High Limit Kit	n.a. n.a.	n.a. n.a. n.a. n.a.
050	Install. Instr. Supp. WVS	5285 996 L	5285 996 L 5167 174 L 5265 684 L

Notes:

*1 IMPORTANT May need shaft extension 015 if old shaft extension cannot be removed

"n.a." indicates not applicable.

"W" indicates wearing part (service).

"L" indicates literature (no charge).

"Kit" or "Other" indicates that this is not a Price Category item; contact Inside Sales for pricing.

Vitosol 100	SV1	SH1	
--------------------	------------	------------	--

General Info	Price List Section:	6	
	Parts Catalog Section	21	
	Series Name:	Vitosol 100 2.3	(01/2006 - 11/2007)
	Applies to serials nos. beginning with:	7188383...	7188384...
	Accurate as of:	07/01/2012	

Parts List

Please refer to: Parts List

Pos. Description Part Numbers / Price Categories

001	Interconnection Pipe	7248 239 ¹³	7248 239 ¹³		
002	Connection Pipe (short)	7827 514 ⁹	7827 514 ⁹		
003	Connection Pipe (long)	7827 515 ⁹	7827 515 ⁹		
004	Pipe Plug w Profile Clamp	7827 516 ¹⁰	7827 516 ¹⁰		
005	Compression Connector (straight)	7819 612 ¹⁰	7819 612 ¹⁰		
006	Compression Connector (elbow)	7819 611 ⁶	7819 611 ⁶		
007	Clip for Assembly Kit	7819 610 ⁵	7819 610 ⁵		
008	Connection Element	7819 609 ⁷	7819 609 ⁷		
009	Installation Plate	7819 608 ⁶	7819 608 ⁶		
010	Spacer Plug	7819 606 ⁴	7819 606 ⁴		
011	Support Plate	7819 605 ⁷	7819 605 ⁷		
012	O-Ring Set (Set of 4)	7819 604 ⁵	7819 604 ⁵		
013	Retaining Screw (Set of 3)	7819 603 ⁵	7819 603 ⁵		
014	Profile Clamp	7317 074 ⁴	7317 074 ⁴		
015	Diagonal (Foam) Strip	7816 271 ⁴	7816 271 ⁴		
016	Support Tube, 22 x 1	7824 605 ⁴	7824 605 ⁴		
020	Lubricating Grease, 6g	7819 602 ⁵	7819 602 ⁵		
100	Installation Instructions	5285 710 ^L	5285 710 ^L		
101	Operating / Service Instructions	5285 771 ^L	5285 771 ^L		
102	Parts List	5349 419 ^L	5349 419 ^L		
103	Warranty Sheet	5348 728 ^L	5348 728 ^L		

Notes:

"n.a." indicates not applicable.

"W" indicates wearing part (service).

"L" indicates literature (no charge).

"Kit" or "Other" indicates that this is not a Price Category item; contact Inside Sales for pricing.

Parts List



VITOSOL 100 SV1 / SH1 2.3 Series

Model No. Serial No. *1

SV1 7188383□□□□□□□□

SH1 7188384□□□□□□□□

Ordering Replacement Parts:

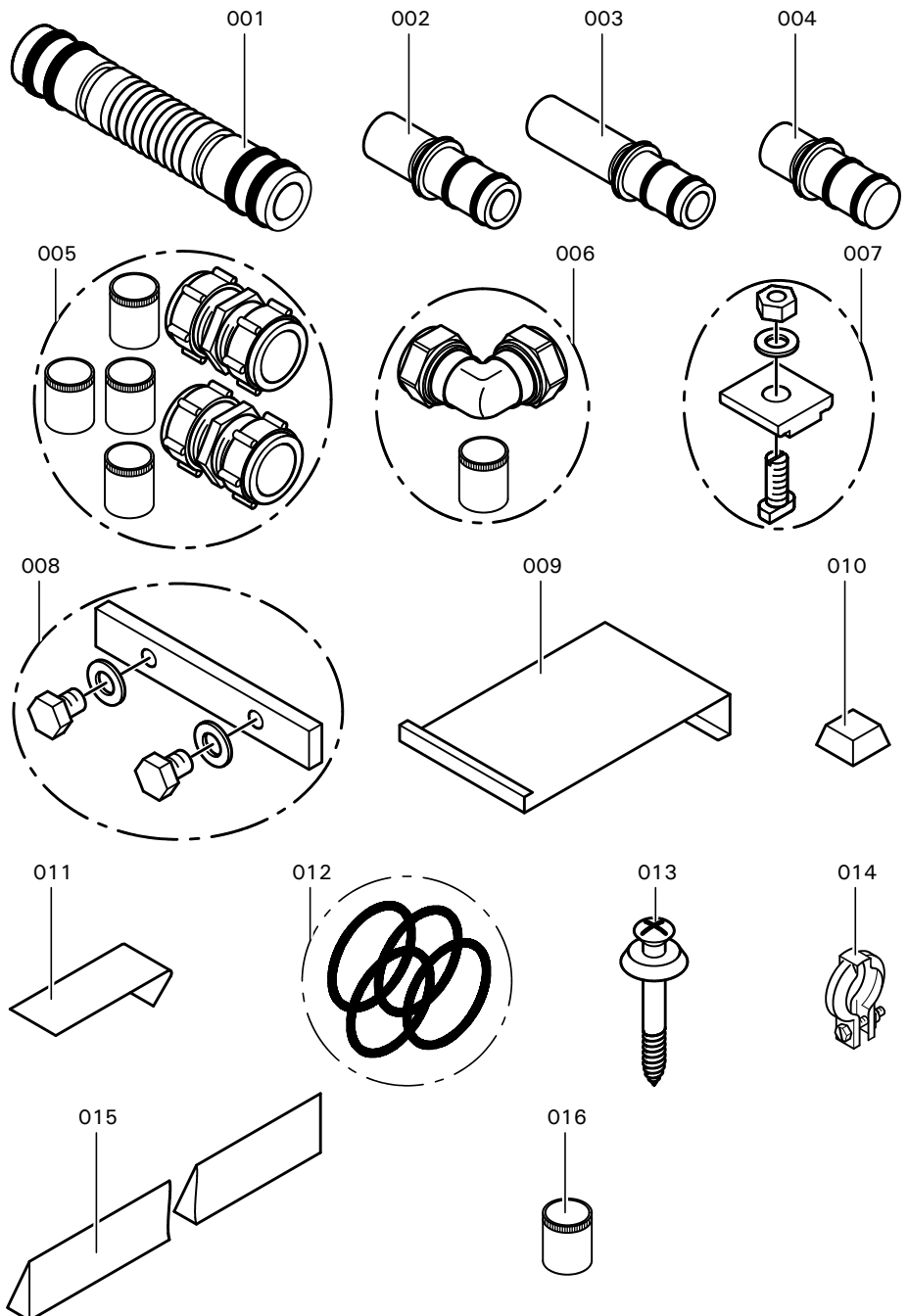
Please provide Model and Serial Number from rating plate when ordering replacement parts. Order replacement components from your Viessmann distributor.

Parts

- 001 Interconnection pipe
- 002 Connection pipe (short)
- 003 Connection pipe (long)
- 004 Pipe plug
with profile clamp
- 005 Compression connector (straight)
- 006 Compression connector (elbow)
- 007 Clip for assembly kit
- 008 Connection element
- 009 Installation plate
- 010 Spacer plug
- 011 Support plate
- 012 O-ring set
(Set of 4)
- 013 Retaining screw
(Set of 3)
- 014 Profile clamp
- 015 Diagonal (foam) strip
- 016 Support tube, 22 x 1

Other Parts (not illustrated)

- 020 Lubricating grease, 6g
- 100 Installation Instructions
- 101 Operating / Service Instructions
- 102 Parts List
- 103 Warranty Sheet



Please file in Service Binder

VITOSOL 200-T

	21.5 2	32.3 3	43.1 4	53.8 5	64.6 6	ft ² m ²
General Info	Price List Section: 6.3					
	Parts Cat. Section: 21					
	Vitosol 200-T SD2A					
	Accurate as of: 07/01/2012					
Shipping Overview						
7/2009 - present	SK00857	SK00858	SK00857 x 2	SK00858 x 1 SK00857 x 1	SK00858 x 2	
Manifold	7248 511	7248 512				
Vac. Tubes	7248513 x 2	7248513 x 3				
Mounting Hardware, SD2A (vertical tubes) sloped,shingled roof	Z005611	Z005611	Z005612	Z005612	Z005612	
Bracket	7186 256			7186256 x 2		
Fasteners 1 (Mounting)	7188 864			7188864 x 2		
Fasteners 2 (T-screws)	7175 265			7175265 x 2		
Shingle Roof Bracket	7181515 x 4			7181515 x 8		
Fasteners 3 (12 x screws)	7317 114			7317114 x 2		
Mounting Hardware, SD2A (vertical tubes) free-standing, flat, 35-50° Mounting Set Flat Roof	Z005621	Z005621	Z005622	Z005622	Z005622	
Mounting Set Flat Roof	7246 240			7246240 x 2		
Mounting Hardware, SD2A (vertical tubes) flat roof, flat, 0° (laid flat)	Z005619	Z005619	Z005620	Z005620	Z005620	
Bracket	7186 256			7186256 x 2		
Fasteners 1 (Mounting)	7188 864			7188864 x 2		
Mounting Rail Clamps	7317 099			7317099 x 2		
Fasteners 1 (Mounting)	7176 432			7176432 x 2		
Mounting Hardware, SD2A (horizontal tubes) sloped,shingled roof	Z005627	Z005627	Z005628	Z005628	Z005628	
Mounting Rails	7144 630			7144630 x 2		
Mounting Kit H	7188 865			7188865 x 2		
Mounting Kit H (no hooks)				7188 868		
Fasteners 2 (T-screws)	7175 265			7175265 x 2		
Shingle Roof Bracket	7181515 x 4			7181515 x 8		
Fasteners 3 (12 x screws)	7317 114			7317114 x 2		

VITOSOL 200-T

Vitosol 200-T	SD2A 2m ²	SD2A 3m ²	
---------------	----------------------	----------------------	--

General Info	Price List Section:	6
	Parts Catalog Section	21
	Series Name:	Vitosol 200-T SD2A (7/2009 - present)
	Applies to serials nos. beginning with:	
	Accurate as of:	07/01/2012

Parts List

Please refer to: Parts List
Pos. Description

Part Numbers / Price Categories

Pos.	Description	Part Numbers	Price Categories
001	Vacuum Tube (Single)	7827 740 ¹⁸	7827 740 ¹⁸
002	Interconnection Pipe	7824 608 ¹²	7824 608 ¹²
003	Connection Pipe (short)	7827 514 ⁹	7827 514 ⁹
004	O-Ring Set (Set of 4) for connection pipes	7819 604 ⁵	7819 604 ⁵
005	Rubber Retainers (Set of 20)	7262 505 ⁷	7262 505 ⁷
006	Collector Support	7830 200 ⁸	7830 200 ⁸
007	Clip for Assembly Kit	7819 296 ⁶	7819 296 ⁶
008	Mounting Plate	7317 069 ⁷	7317 069 ⁷
009	Lubricant 6g	7819 602 ⁵	7819 602 ⁵
012	Spacer Bracket	7824 609 ⁹	7824 609 ⁹
013	Connection Pipe (long)	7827 515 ⁹	7827 515 ⁹
014	Profile Clamp	7317 074 ⁴	7317 074 ⁴
015	Compression Connector (elbow)	7819 611 ⁶	7819 611 ⁶
016	Insulation Cap	7824 610 ¹⁷	7824 610 ¹⁷
017	Support Sleeve, 22 x 1	7824 605 ⁴	7824 605 ⁴
018	Mounting Bracket	7822 602 ⁶	7822 602 ⁶
020	Pipe Bend	7824 622 ¹⁶	7824 622 ¹⁶
025	Pipe Bend w Air Bleed	7825 465 ¹⁷	7825 465 ¹⁷
026	Tube Clip	7825 466 ⁴	7825 466 ⁴
027	O-Ring Set (Set of 4) for vacuum tubes	7825 467 ⁴	7825 467 ⁴
028	Side Cover, left	7827 741 ⁷	7827 741 ⁷
029	Side Cover, right	7827 742 ⁷	7827 742 ⁷
100	Installation Fittings Vitosol	7427 617 ¹⁵	7427 617 ¹⁵
101	Copper Pipe Adap, ¾"x4"	9543 380 ⁶	9543 380 ⁶
102	Copper Pipe, Ø22 L = 60mm	5276 590 ⁴	5276 590 ⁴
103	Adaptor, ¾" G female - ¾" NPT male	9560 928 ⁹	9560 928 ⁹
104	Gasket A 17.2 x 23.9 x 1.5	9535 412 ¹	9535 412 ¹
110	Installation Instructions	5368 538 ^L	5368 538 ^L
111	Operating / Service Instructions	5285 771 ^L	5285 771 ^L
112	Parts List	5368 539 ^L	5368 539 ^L
113	Warranty Sheet	5348 728 ^L	5348 728 ^L

Notes:

"n.a." indicates not applicable.

"W" indicates wearing part (service).

"L" indicates literature (no charge).

"Kit" or "Other" indicates that this is not a Price Category item; contact Inside Sales for pricing.

Parts List

VITOSOL 200-T SD2A Series

Ordering Replacement Parts:

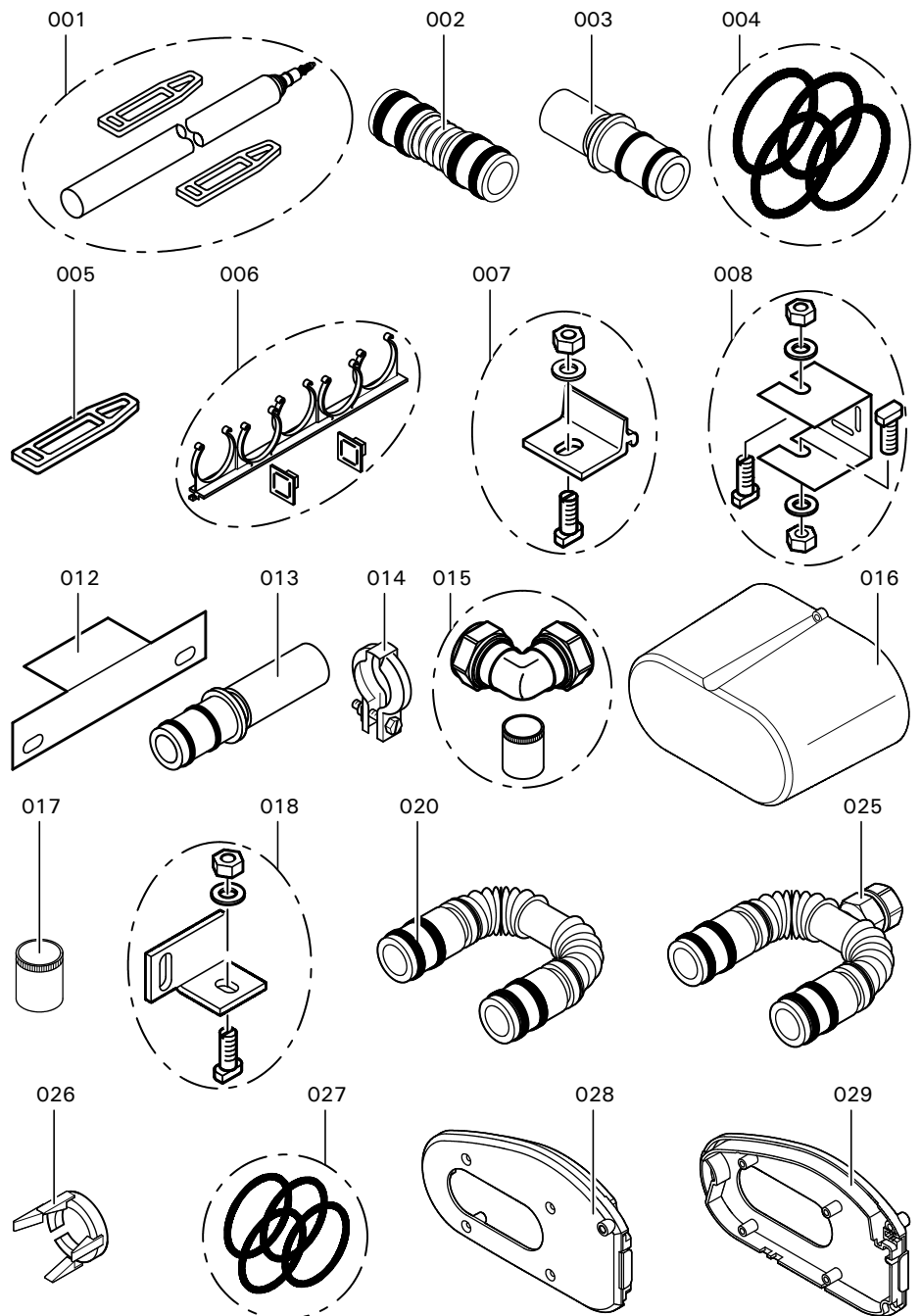
Please provide Model Number from rating plate when ordering replacement parts. Order replacement components from your Viessmann distributor.

Parts

- 001 Vacuum tube (single)
- 002 Interconnection pipe
- 003 Connection pipe (short)
- 004 O-ring set (set of 4)
for connection pipes
(Pos. 002, 003, 013, 020, 025)
- 005 Rubber retainers (set of 20)
- 006 Collector support
- 007 Clip for assembly kit
- 008 Mounting plate
- 012 Spacer bracket
- 013 Connection pipe (long)
- 014 Profile clamp
- 015 Compression connector (elbow)
- 016 Insulation cap
- 017 Support sleeve, 22 x 1
- 018 Mounting bracket
- 020 Pipe bend
- 025 Pipe bend w air bleed
- 026 Tube clip
- 027 O-ring set (set of 4)
for vacuum tubes (Pos. 001)
- 028 Side cover, left
- 029 Side cover, right

Other Parts (not illustrated)

- 009 Lubricant 6g
- 021 Installation Instructions
- 022 Operating / Service Instructions
- 023 Parts List
- 024 Warranty Sheet



Please file in Service Binder

Vitosol 300	SP3	
-------------	-----	--

General Info	Price List Section:	6	
	Parts Catalog Section	21	
	Series Name:	Vitosol 300 SP3	(01/2006 - present)
	Applies to serials nos. beginning with:		
	Accurate as of:	07/01/2012	

Parts List

Please refer to: Parts List
 Pos. Description

Part Numbers / Price Categories

Pos.	Description	Part Numbers / Price Categories			
001	Vitosol 300 Vacuum Tube (Single)	7837 896 ²²			
002	Collector Support	7830 200 ⁸			
003	Mounting Clip (Set of 4)	7819 407 ⁵			
004	Rubber Retainers (Pkg of 20)	7262 505 ⁷			
005	O-Ring Set (Set of 4)	7819 405 ⁶			
006	Pipe Bend	7819 403 ¹⁷			
007	Clip for Assembly Kit	7819 296 ⁶			
008	Connection Pipe (short)	7819 404 ⁸			
009	Lubricating Grease, 6g	7819 602 ⁵			
010	Connection Pipe (long)	7818 287 ¹²			
011	Compression Connector (elbow)	7819 611 ⁶			
012	Interconnection Pipe w Insulation	7824 694 ¹⁶			
013	Support Tube, 22 x 1	7824 605 ⁴			
014	Insulation Cap	7824 606 ¹⁸			
015	Mounting Bracket	7822 602 ⁶			
016	Pipe Plug (Set of 5)	7823 508 ⁹			
100	Installation Instructions	5167 568 ^L			
101	Operating / Service Instructions	5285 771 ^L			
102	Parts List	5349 420 ^L			
103	Warranty Sheet	5348 728 ^L			

Notes:

"n.a." indicates not applicable.

"W" indicates wearing part (service).

"L" indicates literature (no charge).

"Kit" or "Other" indicates that this is not a Price Category item; contact Inside Sales for pricing.

Parts List

VITOSOL 300 SP3 Series

Ordering Replacement Parts:

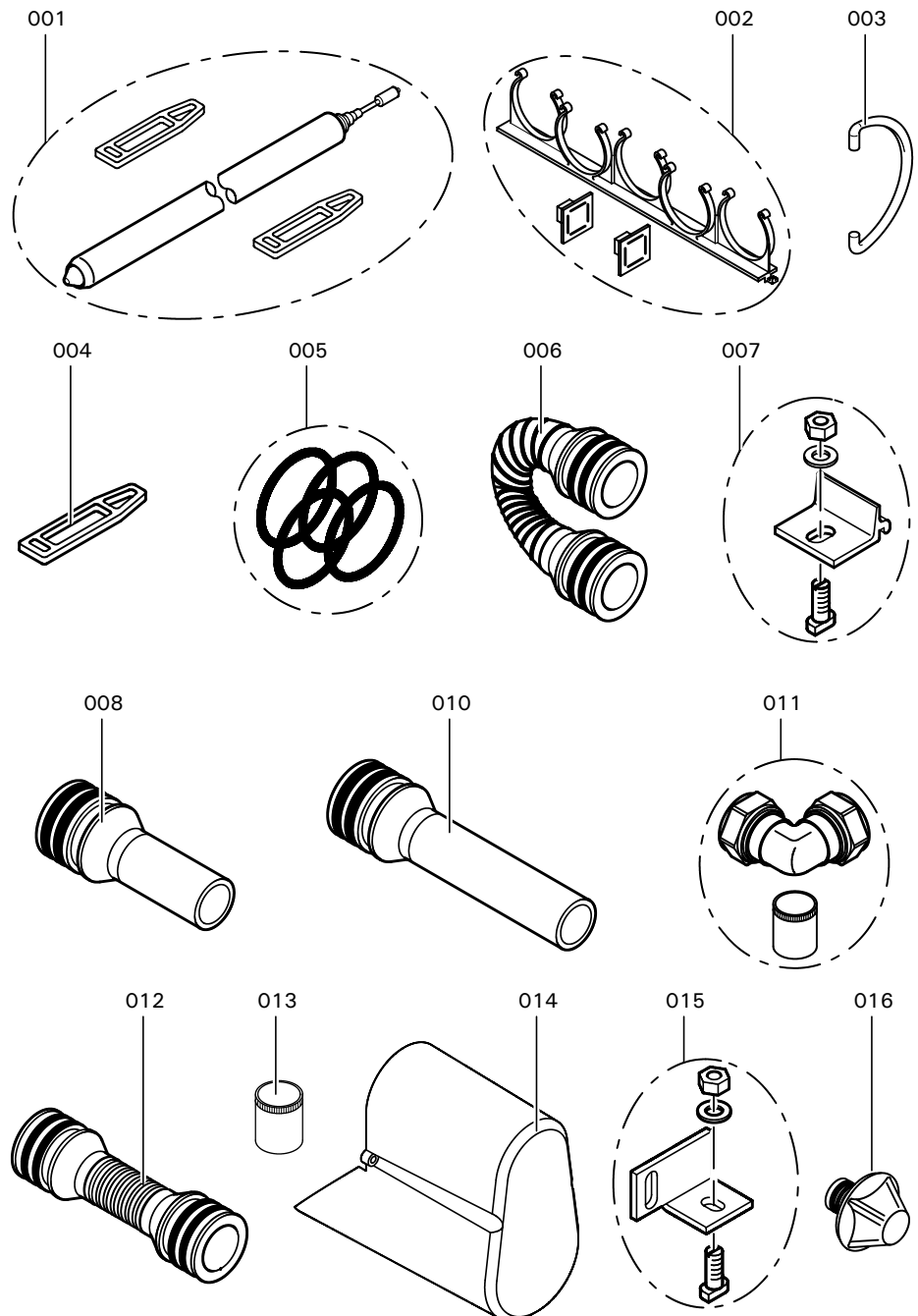
Please provide Model Number from rating plate when ordering replacement parts. Order replacement components from your Viessmann distributor.

Parts

- 001 Vitosol 300 vacuum tube (single)
- 002 Collector support
- 003 Mounting clip
(Set of 4)
- 004 Rubber retainers
(Set of 20)
- 005 O-Ring set
(Set of 4)
- 006 Pipe bend
- 007 Clip for assembly kit
- 008 Connection pipe (short)
- 010 Connection pipe (long)
- 011 Compression connector (elbow)
- 012 Interconnection pipe
with insulation
- 013 Support tube, 22 x 1
- 014 Insulation cap
- 015 Mounting bracket
- 016 Pipe plug (Set of 5)

Other Parts (not illustrated)

- 009 Lubricating grease, 6g
- 100 Installation Instructions
- 101 Operating / Service Instructions
- 102 Parts List
- 103 Warranty Sheet



Please file in Service Binder

VITOSOL 300

Vitosol 300	H 20	H 30	
General Info	Price List Section:	6.1	
	Parts Catalog Section:	21	
	Series Name:	Vitosol 300	(2000 -)
	Accurate as of:	07/01/2012	

Parts List

Please refer to: Parts List

Pos. Description Part Numbers / Price Categories

001	Solar Header Mounting Bracket (Flat)	7316 222 ^D	7316 222 ^D		
002	Solar Mounting Bracket J-Shape	7316 170 ⁹	7316 170 ⁹		
003	Sol Tube Support Bracket	7830 200 ⁸	7830 200 ⁸		
003-006	Distribution Header	7188 860 ³⁸	7188 861 ⁴⁶		
005	Vitosol 300 Vacuum Tubes (Pkg of 10)	7194 178 ^{Other}	7194 178 ^{Other}		
005	Solar Vacuum Tube (Single) Vitosol	7837 896 ²²	7837 896 ²²		
006	Rubber Retainers (Pkg Of 20)	7262 505 ⁷	7262 505 ⁷		
007-008	Interconnection Pipes	7188 920 ¹⁸	7188 920 ¹⁸		
009	Connection Pipe	7819 404 ⁸	7819 404 ⁸		
009-011	General Connection Set	7317 006 ¹⁸	7317 006 ¹⁸		
011	Insulation Cover f Pipe Bend	7819 401 ⁹	7819 401 ⁹		
012	Compression Connector (straight)	7316 568 ^D	7316 568 ^D		
013	Copper Pipe Adap, 3/4x3"	9543 380 ⁶	9543 380 ⁶		
014	Mounting Hdw	7317 129 ³⁵	7317 129 ³⁵		
016	Mounting Clip	7819 407 ⁵	7819 407 ⁵		
017 W	O-Ring Set (Set Of 4)	7819 405 ⁶	7819 405 ⁶		
021	Oper. Instr./User's Info Vitosol 300	5167 570 ^L	5167 570 ^L		
022	Install. Instr. Vitosol 300	5167 568 ^L	5167 568 ^L		
024	Parts List Vitosol 300	5167 571 ^L	5167 571 ^L		
025	Lubricating Grease (6g)	7819 602 ⁵	7819 602 ⁵		

Notes:

"n.a." indicates not applicable.

"W" indicates wearing part (service).

"L" indicates literature (no charge).

"Kit" or "Other" indicates that this is not a Price Category item; contact Inside Sales for pricing.

"D" indicates discontinued.

Parts List

Vitosol 300

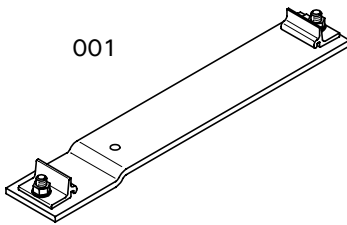
Ordering Replacement Parts:

Please provide product Model and Serial Number from rating plate when ordering replacement parts. Order replacement components from your Viessmann distributor.

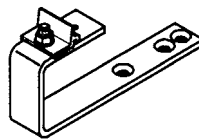
Please file in Service Binder

Parts

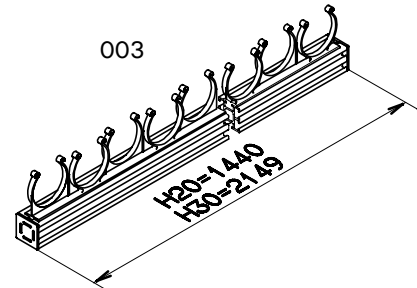
- | | |
|--|-------------------------------|
| 001 Header mounting bracket | Not illustrated |
| 002 Mounting bracket | 013 Copper adaptors |
| 003 Solar tube support bracket | 016 Mounting clip |
| 004 Connection housing | 017 O-Rings (set of 4) |
| 005 Vacuum tube | 021 Operating Instructions |
| 006 Rubber retainer | 022 Installation Instructions |
| 007 Interconnection pipe | 024 Parts List |
| 008 Insulation
(for interconnection pipe) | 025 Lubricating grease |
| 009 Connection pipe | |
| 010 Pipe bend | |
| 011 Insulating cap
(for pipe bend) | |
| 012 Compression connection | |



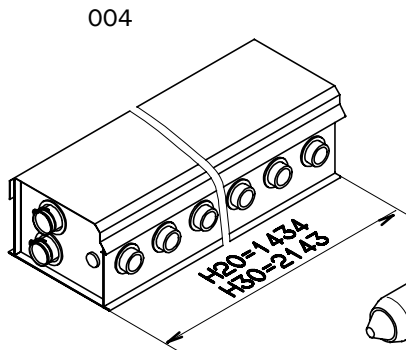
001



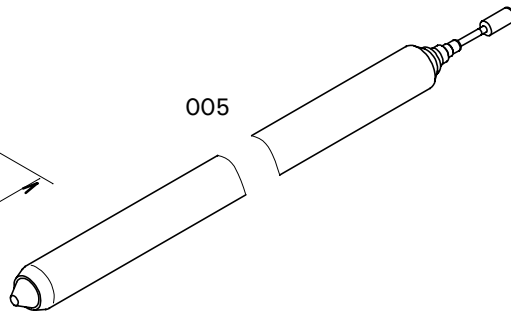
002



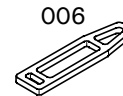
003



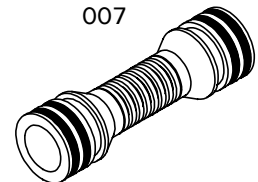
004



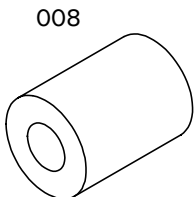
005



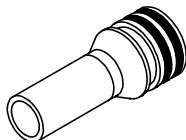
006



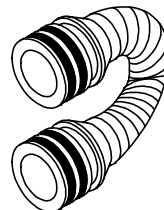
007



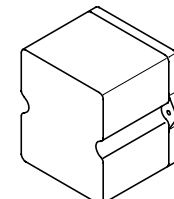
008



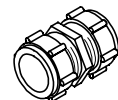
009



010



011



012

Collector Count	1	2	3	4	5	6	8	10
General Info	Price List Section: 6.1 Parts Cat. Section: 21 Vitosol 100-F SV1 Vitosol 200-F SV2 Accurate as of: 07/22/2009							
Shipping Overview								
Mounting Hardware, SV1/2 sloped, shingled roof	Z003097	Z003098	Z003099	Z003100	Z003101	Z003102	Z003103	Z003104
Mtg Set 1V (2 x shrt rail)	7248 565							
Mtg Set 2V (2 x long rail)		7248 566		7248566 x 2	7248 566		7248566 x 4	7248566 x 5
Mtg Set 3V (2 short/2 long)			7248 567		7248 567	7248567 x 2		
Bracket	7181515 x 4	7181515 x 6	7181515 x 8	7181515 x 10	7181515 x 12	7181515 x 14	7181515 x 18	7181515 x 22
Clip 1 (Pkg of 4)	7194 423		7194423 x 2	7194 423		7194423 x 2		7194 423
Clip 2 (Pkg of 6)		7194 424		7194 424	7194424 x 2	7194 424	7194424 x 3	7194424 x 3
Conn. Piece (Pkg of 4)			7317 121	7317 121	7317121 x 2	7317121 x 3	7317121 x 3	7317121 x 4
Fasteners 1 (12 x screws)	7317 114	7317114 x 2	7317114 x 2	7317114 x 3	7317114 x 3	7317114 x 4	7317114 x 5	7317114 x 6
Fasteners 2 (4 x bolts/nuts/washers)	7175 265		7175265 x 2	7175 265	7179234 x 2	7175265 x 2	7179234 x 3	7175 265
Fasteners 3 (6 x bolts/nuts/washers)		7179 234		7179 234		7179 234		7179234 x 3
Mounting Hardware, SV1/2 free-standing, flat (use substruct.)	Z003145	Z003146	Z003147	Z003148	Z003149	Z003150	Z003151	Z003152
Support	7248 983	7248983 x 2	7248983 x 3	7248983 x 4	7248983 x 5	7248983 x 6	7248983 x 8	7248983 x 10
Support Conn		7189 595	7189595 x 2	7189595 x 3	7189595 x 4	7189595 x 5	7189595 x 7	7189595 x 9
Crossbars	7249 165	7249 165	7249 165	7249 165	7249 165	7249 165	7249165 x 2	7249165 x 2

continued

Collector Count	1	2	3	4	5	6	8	10
General Info	Price List Section: 6.1 Parts Cat. Section: 21 Vitosol 100-F SH1 Vitosol 200-F SH2 Accurate as of: 07/22/2009							
Shipping Overview								
Mounting Hardware, SH1/2 sloped, shingled roof	Z003169	Z003170	Z003171	Z003172	Z003173	Z003174	Z003175	Z003176
Mtg Set H	7248 570	7248570 x 2	7248570 x 3	7248570 x 4	7248570 x 5	7248570 x 6	7248570 x 8	7248570 x 10
Bracket	7181515 x 4	7181515 x 6	7181515 x 8	7181515 x 10	7181515 x 12	7181515 x 14	7181515 x 18	7181515 x 22
Clip 1 (Pkg of 4)	7194 423		7194423 x 2	7194 423		7194423 x 2		7194 423
Clip 2 (Pkg of 6)		7194 424		7194 424	7194424 x 2	7194 424	7194424 x 3	7194424 x 3
Conn. Piece (Pkg of 4)		7317 121	7317121 x 2	7317121 x 3	7317121 x 4	7317121 x 5	7317121 x 7	7317121 x 9
Fasteners 1 (12 x screws)	7317 114	7317114 x 2	7317114 x 2	7317114 x 3	7317114 x 3	7317114 x 4	7317114 x 5	7317114 x 6
Fasteners 2 (4 x bolts/nuts/washers)	7175 265		7175265 x 2	7175 265	7179234 x 2	7175265 x 2	7179234 x 3	7175 265
Fasteners 3 (6 x bolts/nuts/washers)		7179 234		7179 234		7179 234		7179234 x 3
Mounting Hardware, SH1/2 free-standing, flat (use substruct.)	Z003225	Z003226	Z003227	Z003228	Z003229	Z003230	Z003231	Z003232
Support	7248 981	7248981 x 2	7248981 x 3	7248981 x 4	7248981 x 5	7248981 x 6	7248981 x 8	7248981 x 10
Crossbars	7249 163	7249 163	7249 163	7249 163	7249 163	7249 163	7249163 x 2	7249163 x 2
Support Conn		7189 595	7189595 x 2	7189595 x 3	7189595 x 4	7189595 x 5	7189595 x 7	7189595 x 9
Mounting Hardware, SH1/2 free-standing, flat (use substruct.)	Z005467	Z005468	Z005469	Z005470	Z005471	Z005472	Z005473	Z005474
Support	7248 982	7248982 x 2	7248982 x 3	7248982 x 4	7248982 x 5	7248982 x 6	7248982 x 8	7248982 x 10
Connection Angle	7249 164	7249 164	7249 164	7249 164	7249 164	7249 164	7249164 x 2	7249164 x 2
Support Connection		7189 595	7189595 x 2	7189595 x 3	7189595 x 4	7189595 x 5	7189595 x 7	7189595 x 9
Mounting Hardware, SH1/2 vertical installation	Z005475	Z005476	Z005477	Z005478	Z005479	Z005480	Z005481	Z005482
Wall Hardware	7248 994	7248994 x 2	7248994 x 3	7248994 x 4	7248994 x 5	7248994 x 6	7248994 x 8	7248994 x 10
Support Connection		7189 595	7189595 x 2	7189595 x 3	7189595 x 4	7189595 x 5	7189595 x 7	7189595 x 9

continued

Collector Area m ²	2	3	4	5	6	
General Info	Price List Section: 6.1 Parts Cat. Section: 21 Vitosol 200-T SD2A Accurate as of: 07/22/2009					
Shipping Overview						
Mounting Hardware, SD2A sloped, shingled roof Bracket Fasteners 1 Fasteners 2 Bracket Fasteners 3	Z005611 7186 256 7188 864 7175 265 7181515 x 4 7317 114		Z005612 7186256 x 2 7188864 x 2 7175265 x 2 7181515 x 8 7317114 x 2			
Mounting Hardware, SD2A free-standing, flat (use substruct.) Mounting Set	Z005621 7246 240		Z005622 7246240 x 2			
Mounting Hardware, SD2A free-standing, flat (use substruct.) Bracket Fasteners 1 Mtg Rail Clamps Bracket	Z005619 7186 256 7188 864 7317 099 7176 432		Z005620 7186256 x 2 7188864 x 2 7317099 x 2 7176432 x 2			

continued

Collector Area m ²	2	3	4	5	6	
General Info	Price List Section: 6.1 Parts Cat. Section: 21 Vitosol 300-T SP3 Accurate as of: 07/22/2009					
Shipping Overview						
Mounting Hardware, SP3 sloped, shingled roof Bracket Fasteners 1 Fasteners 2 Bracket Fasteners 3	Z005611 7186 256 7188 864 7175 265 7181515 x 4 7317 114		Z005612 7186256 x 2 7188864 x 2 7175265 x 2 7181515 x 8 7317114 x 2			
Mounting Hardware, SP3 free-standing, flat (use substruct.) Mounting Set	Z005621 7246 240		Z005622 7246240 x 2			

Vitosol	Installation Fittings 7427 617	
----------------	--	--

General Info	Price List Section: Parts Catalog Section: Series Name: Applies to serials nos. beginning with: Accurate as of:	21 for all collectors listed below under A, B, and C 07/01/2012	(2/2010 - present)
---------------------	---	---	----------------------

Parts List

Please refer to: Parts List
Pos. Description Part Numbers / Price Categories

001	Copper Pipe Adap, 3/4"x4"	9543 380 ⁶		
002	Copper Pipe, Ø22 L=60mm	5276 590 ⁴		
003	Adaptor, 3/4" G female - 3/4" NPT male	9560 928 ⁹		
004	Gasket A 17.2 x 23.9 x 1.5	9535 412 ¹		
401	Tech Lit Set Vitosol	7428 066 ^L		
402	Parts List	5369 523 ^L		
A	Vitosol 100-F SV1 2,3m ²	7160 549 ^{Other}		
	Vitosol 100-F SH1 2,3m ²	7417 768 ^{Other}		
	Vitosol 200-F SV2 2.3m ²	7374 162 ^{Other}		
	Vitosol 200-F SH2 2,3m ²	7248 238 ^{Other}		
B	Vitosol 200-T SD2A 2m ²	SK00857 ^{Kit}		
	Vitosol 200-T SD2A 3m ²	SK00858 ^{Kit}		
C	Vitosol 300-T SP3 2m ²	SK00251 ^{Kit}		
	Vitosol 300-T SP3 3m ²	SK00252 ^{Kit}		
D	Expansion Vessel 18L / 10bar Solar	7248 241 ²¹		
	Expansion Vessel 25L / 10bar Solar	7248 242 ²⁴		
	Expansion Vessel 40L / 10bar Solar	7248 243 ²⁷		
	Expansion Vessel 50L / 10bar Solar	7248 244 ³³		
	Expansion Vessel 80L / 10bar Solar	7248 245 ³⁷		
E	Connection Pipe (short)	7827 514 ⁹		
F	Connection Pipe (long)	7827 515 ⁹		
G	Fast Air Vent	7316 789 ¹⁵		
H	Compression Connector (elbow)	7819 611 ⁶		
I	Sensor Well Set	7174 993 ¹³		
L	Connection Pipe (short)	7819 404 ⁸		
M	Connection Pipe (long)	7818 287 ¹²		
N	Sensor Well Set	7188 622 ¹³		

Notes:

"n.a." indicates not applicable.

"W" indicates wearing part (service).

"L" indicates literature (no charge).

"Kit" or "Other" indicates that this is not a Price Category item; contact Inside Sales for pricing.

Parts List

Installation Fittings, 7427 617

for **VITOSOL** solar collectors

Ordering Replacement Parts:

Please provide collector Model Number from rating plate when ordering replacement parts. Order replacement components from your Viessmann distributor.

Parts

- 001 Copper pipe adaptor,
3/4" x 4"
- 002 Copper pipe,
ø22 l = 60mm
- 003 Adaptor,
3/4" G female - 3/4" NPT male
- 004 Gasket, A 17.2 x 23.9 x 1.5

Other Parts (not illustrated)

- 401 Technical literature set for:
Vitosol 100-F / 200-F
Vitosol 200-T
Vitosol 300-T
- 402 Parts List

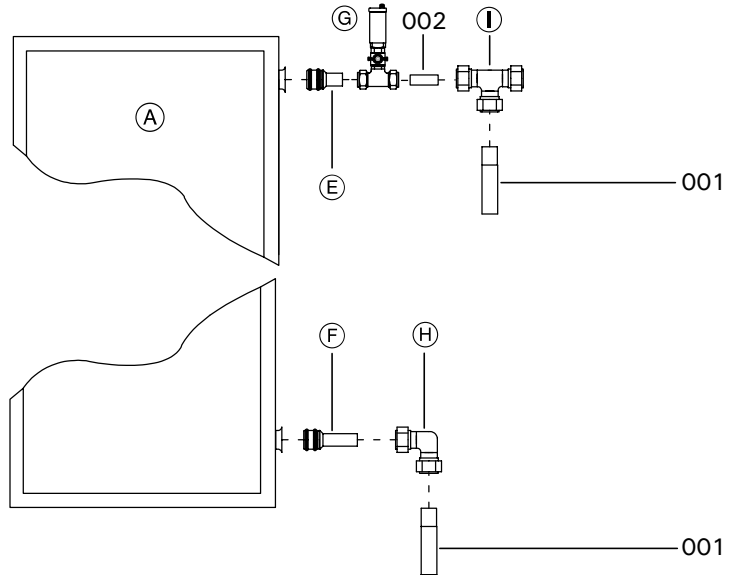
Overview of Componentry

(outside of Installation Fittings)

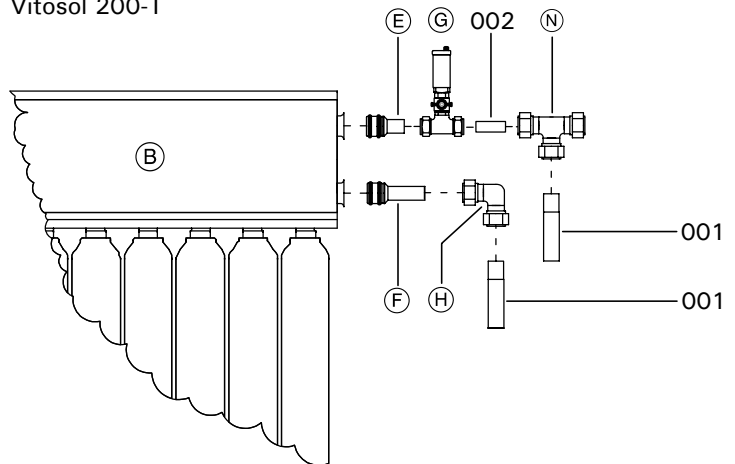
- (A) Vitosol-F collector
see separate Parts List
- (B) Vitosol 200-T collector
see separate Parts List
- (C) Vitosol 300-T collector
see separate Parts List
- (D) Solar Expansion Tanks
- (E) Short connection pipe *1
for Vitosol 100-F / 200-F / 200-T only
- (F) Long connection pipe *1
for Vitosol 100-F / 200-F / 200-T only
- (G) Fast air vent *3
- (H) 90° compression elbow *1
- (I) Sensor well set *3
for Vitosol 100-F / 200-F only
- (K) 1" NPT copper adaptor *4
- (L) Short connection pipe *2
for Vitosol 300-T only
- (M) Long connection pipe *2
for Vitosol 300-T only
- (N) Sensor well set *3
for Vitosol 200-T only

- *1 Included with
general connection set
- *2 Included with manifold
- *3 Sold separately - see price list
- *4 Field supplied

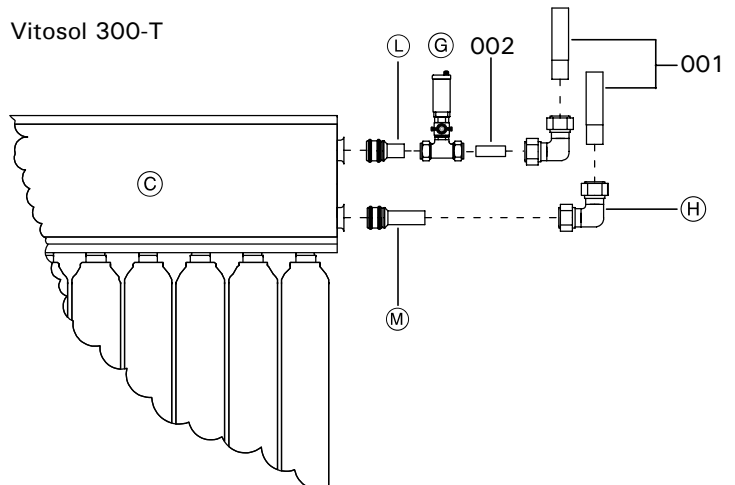
Vitosol 100-F / Vitosol 200-F



Vitosol 200-T



Vitosol 300-T



Installation Fittings 7427 617

for **VITOSOL** solar collectors

Parts

003 Adaptor,
3/4" G female - 3/4" NPT male
004 Gasket
A 17.2 x 23.9 x 1.5

Other Parts (not illustrated)

401 Technical literature set for:

Vitosol 100-F

Vitosol 200-F

Vitosol 200-T

Vitosol 300-T

402 Parts List

Overview of Componentry

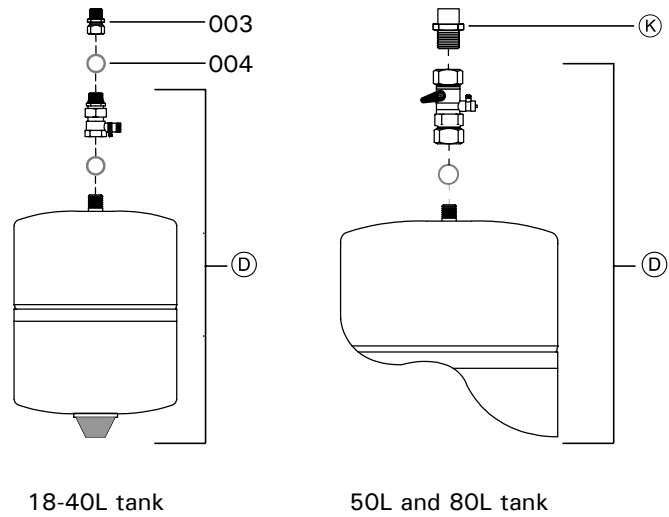
(outside of Installation Fittings)

Ⓓ Solar Expansion Tanks

Ⓚ 1" NPT copper adaptor *4

*4 Field supplied

Solar Expansion Tanks



Solar Control Unit

Installation Accessories	SCU 124 v1 7416 043	SCU 224 v1 7416 045	SCU 124 v2 7439 303	SCU 224 v2 7439 304
---------------------------------	-------------------------------	-------------------------------	-------------------------------	-------------------------------

General Info	Price List Section:	6.5	
	Parts Catalog Section:	21	
	Series Name:	SCU	(11/2008 - present)
	Accurate as of:	07/01/2012	

Parts List

Please refer to: Parts List

Pos. Description Part Numbers / Price Categories

001	Mounting Kit	7416 052 ⁸	7416 052 ⁸	7416 052 ⁸	7416 052 ⁸
002	Sensor FKP6 (Collector, 1.5m)	7416 053 ¹³	7416 053 ¹³	7416 053 ¹³	7416 053 ¹³
003	Sensor FRP6 (Immersion, 2.5m)	7416 054 ¹³	7416 054 ¹³	7416 054 ¹³	7416 054 ¹³
004	Fuse, 4A/250V (Pkg of 10)	7416 055 ¹³	7416 055 ¹³	7416 055 ¹³	7416 055 ¹³
005	Power Supply	n.a. ^{n.a.}	n.a. ^{n.a.}	n.a. ^{n.a.}	n.a. ^{n.a.}
010	Install./Oper./Serv. Instr.	5443 200 ^L	5443 201 ^L	5443 202 ^L	5443 203 ^L

Notes:

"n.a." indicates not applicable.

"W" indicates wearing part (service).

"L" indicates literature (no charge).

"Kit" or "Other" indicates that this is not a Price Category item; contact Inside Sales for pricing.

Solar Control Unit

Installation Accessories	SCU 345 7511 929	SEM 7511 930	
---------------------------------	----------------------------	------------------------	--

General Info	Price List Section:	6.5	
	Parts Catalog Section:	21	
	Series Name:	SCU	(6/2012 - present)
	Accurate as of:	07/01/2012	

Parts List

Please refer to: Parts List

Pos. Description Part Numbers / Price Categories

001	Mounting Kit	n.a. ^{n.a.}	n.a. ^{n.a.}		
002	Sensor FKP6 (Collector, 1.5m)	7416 053 ¹³	7416 053 ¹³		
003	Sensor FRP6 (Immersion, 2.5m)	7416 054 ¹³	7416 054 ¹³		
004	Fuse, 4A/250V (Pkg of 10)	7416 055 ¹³	n.a. ^{n.a.}		
005	Power Supply	n.a. ^{n.a.}	7838 587 ¹⁰		
010	Install./Oper./Serv. Instr.	5619 460 ^L	5619 461 ^L		

Notes:

"n.a." indicates not applicable.

"W" indicates wearing part (service).

"L" indicates literature (no charge).

"Kit" or "Other" indicates that this is not a Price Category item;

VITOSOLIC 200

Vitosolic 200	7134 552	
---------------	----------	--

General Info	Price List Section:	6.1	
	Parts Catalog Section	21	
	Series Name:		(8/2005 - present)
	Applies to serials nos. beginning with:	7176449...	(located below plastic cover of Vitosolic)
	Accurate as of:	07/01/2012	

Parts List

Please refer to: Parts List
Pos. Description

Part Numbers / Price Categories

Pos.	Description	Part Numbers	Price Categories		
010	Sensor #6 (Immersion f Solar Collector)	7814 617 ¹⁸			
020	Sensor #5 (DHW, no cable)	7170 965 ¹⁹			
030	Access. Pack (Strain Reliefs)	7822 608 ⁷			
040 W	Fuse, 6.3A/250V BRN (Pkg of 5)	7822 610 ⁷			
050	Install. Instr. Vitosolic 200	5285 965 ^L			
060	Operating Instr. Vitosolic 200	5285 966 ^L			
100 W	Fuse, 160mA/250V BRN (Pkg of 5)	9571 992 ⁷			
102 W	Fuse, 10A Glass (Pkg of 5)	9577 582 ⁷			
103	Circuit Board (120V pwr supply)	7826 202 ²⁹			

Notes:

"n.a." indicates not applicable.

"W" indicates wearing part (service).

"L" indicates literature (no charge).

"Kit" or "Other" indicates that this is not a Price Category item; contact Inside Sales for pricing.

Installation Accessories		Solartrol-M 7133 452	PPCM 7133 272	
General Info	Price List Section:	6.1		
	Parts Catalog Section:	21		
	Applies to serials nos. beginning with:	not applicable		
	Accurate as of:	07/01/2012		
		(6/2000 - 5/2005)		

Parts List

Please refer to: Parts List

Pos. Description Part Numbers / Price Categories

001	Housing, Front	7810 432 ⁷			
008	Front Panel	7089 444 ²⁴			
009	Hinged Cover Of Front Panel	7811 004 ⁵			
014	Terminal Compartm. CVR, Back	7810 183 ⁶			
016	Terminal Compartm. CVR, Front	7811 008 ⁷			
022					
025	Access. Pack (Strain Reliefs, 1-Channel)	7814 290 ⁵			
032	Switch, 2-Pole	7819 977 ⁷			
040	Sensor #6 Immersion f Solar Collector)	7814 617 ¹⁸			
041	Sensor #5 (DHW), Longcable	7814 282 ¹⁹			
042	Sensor #160 (Immersion)	7814 618 ¹⁹			
048	Wall-Mount Plate Solartrol	7810 877 ⁸			
141	Screw Cap f Fuse	7815 427 ⁴			
118					
131	Sensor Cable, 3-Pole Male No. 5	7270 035 ⁵			
133	3-Pole Plug, Male	7813 373 ⁵			
115					
116	Extension Cable, 6m	7450 062 ¹²			
117 W	Fuse, 6.3A f Solartrol	9549 623 ²			
118 W	Fuse, 4A f Power/Pump Control Mod.	n.a. ^{n.a.}	7404 364 ⁶		

Notes:

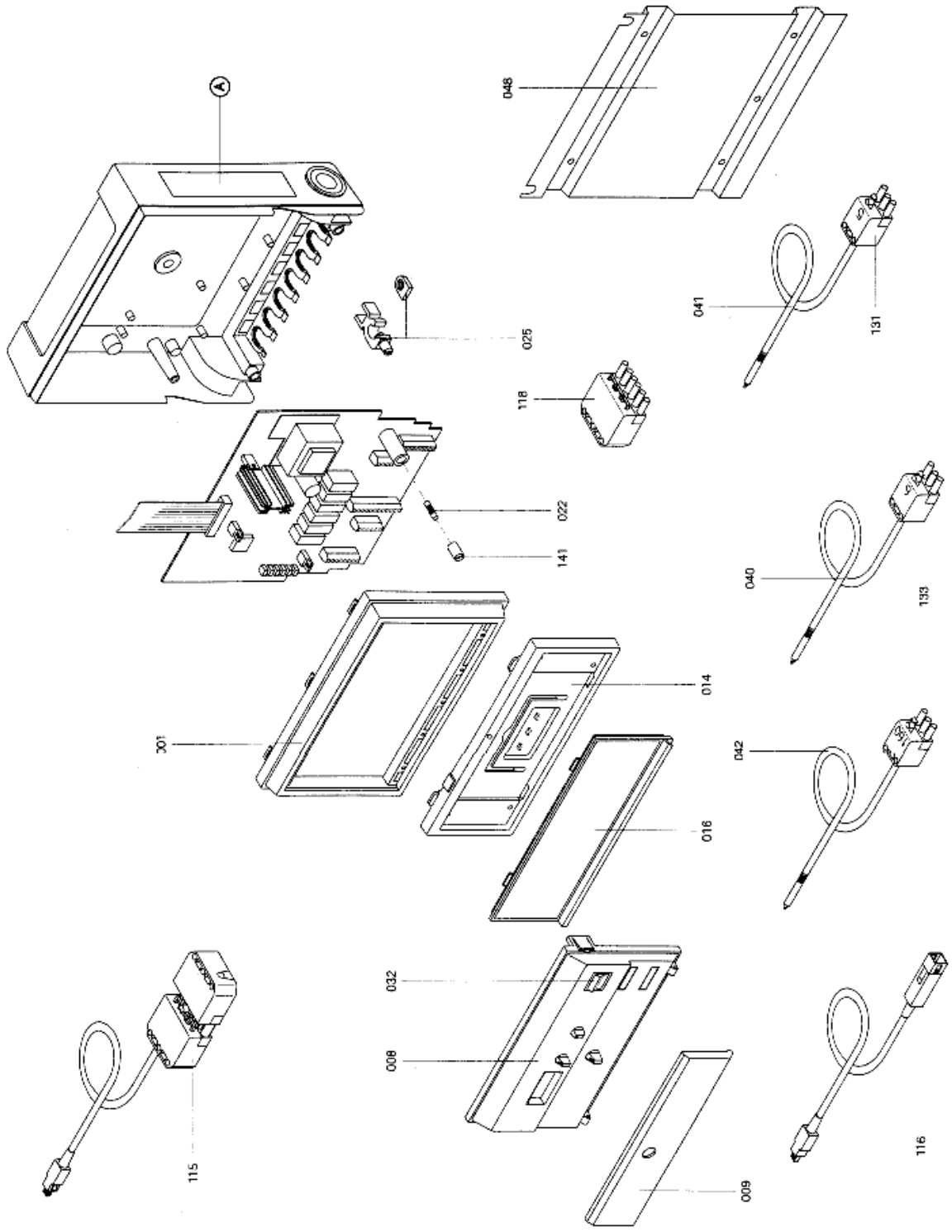
- "n.a." indicates not applicable.
- "W" indicates wearing part (service).
- "L" indicates literature (no charge).
- "Kit" or "Other" indicates that this is not a Price Category item; contact Inside Sales for pricing.

Einzelteilliste



Solartrol
Best.-Nr. 7450 125

Hinweise für die Heizungsfachfirma!
Bei Ersatzbestellungen Best.-Nr. und
Herstell.-Nr. (siehe Typenschild)
angeben.
Handelsübliche Teile sind im örtlichen
Fachhandel erhältlich.



☉ Typenschild

Solar-Divicon-HX		DN20 7834 370	DN25 7834 371	
General Info	Price List Section:	6		
	Parts Catalog Section	21		
	Start Date	7/2010 -		
	End Date	present		
	Accurate as of:	07/01/2012		

Parts List

Please refer to: Parts List
Pos. Description

Part Numbers / Price Categories

100	Wall-mount bracket, 559 x 185 x 2mm	7441 821 ¹¹	7441 821 ¹¹		
110	Hose, transparent, d= 10 x 2 mm	7441 953 ⁴	7441 953 ⁴		
200	Insulation jacket	7441 954 ²⁶	7441 954 ²⁶		
210	Mounting kit, SCU 123	7441 955 ¹⁰	7441 955 ¹⁰		
220	Solar Control Unit SCU 123	7441 956 ⁵²	7441 956 ⁵²		
300	Split ring compression fitting, ¾"	7441 957 ⁶	7441 957 ⁶		
302	Ball valve, supply ¾" x ¾"	7441 997 ¹³	7441 997 ¹³		
304	Thermometer, 32-320°F (red)	7441 996 ⁷	7441 996 ⁷		
306	Heat exchanger	7441 995 ⁴⁷	7441 994 ⁶⁰		
308	Gasket, 24 x 17 x 2 mm	7441 967 ¹	7441 967 ¹		
310	Flange elbow G ¾" x ¾"	7441 958 ¹⁰	7441 958 ¹⁰		
312	Plug, 3/8"	7441 991 ³	7441 991 ³		
314	Stainless steel tube	7441 971 ¹⁴	7441 971 ¹⁴		
316	Vent plug, 3/8"	7441 989 ⁴	7441 989 ⁴		
318	Air separator	7441 988 ¹⁵	7441 988 ¹⁵		
320	Stainless steel tube	7441 987 ¹²	7441 987 ¹²		
322	Flange elbow, 90° x F ½"	7441 986 ⁸	7441 986 ⁸		
324	Flow meter	7441 985 ¹⁸	7441 984 ¹⁸		
326	Cap, ¾"	7441 983 ⁴	7441 983 ⁴		
328	Gasket, 30 x 21 x 2 mm	7441 982 ²	7441 982 ²		
330	Solar Circulation pump	7441 981 ²⁶	7441 980 ²⁹		
332	Half union, G 1"	7441 979 ³	7441 979 ³		
334	Thermometer, 32-320°F (blue)	7441 978 ⁷	7441 978 ⁷		
336	Ball valve, return ¾" x ¾"	7441 977 ¹³	7441 977 ¹³		
338	Pressure relief valve, SV 6 bar / 87psig	7441 976 ¹⁸	7441 976 ¹⁸		
340	Lock nut, ¾"	7441 975 ³	7441 975 ³		
342	Stainless steel tube, d = 18 x 1 cm	7441 974 ¹³	7441 974 ¹³		
344	Tee, 2 x ¾" x ¾"	7441 973 ⁹	7441 973 ⁹		
346	Double nipple, ¾" with O-ring	7441 972 ⁶	7441 972 ⁶		
348	Stainless steel tube, d = 18 x 1 cm	7441 990 ¹³	7441 990 ¹³		
350	Flange fitting ¾" x ¾"	7441 970 ⁸	7441 970 ⁸		
352	Half union, G 1 ¼"	7441 969 ⁴	7441 969 ⁴		
354	DHW Circulation pump, Wilo S21BU	7441 968 ³³	7441 968 ³³		
356	Gasket, 38 x 27 x 2 mm	7441 993 ³	7441 993 ³		
358	Adaptor, 1 ¼" x 1"	7441 966 ⁹	7441 966 ⁹		
360	Stainless steel tube, d = 22 x 1.2 mm	7441 961 ¹¹	7441 961 ¹¹		
362	Flange nipple, ¾" x ¾"	7441 964 ⁸	7441 964 ⁸		
364	Temperature sensor	7441 963 ¹²	7441 963 ¹²		
366	Piston valve DN20, 2 x ¾"	7441 962 ¹⁷	7441 962 ¹⁷		
368	Stainless steel tube, d = 22 x 1.2 cm	7441 965 ¹¹	7441 965 ¹¹		
370	Temperature Sensor, PT1000	7441 960 ¹⁴	7441 960 ¹⁴		
372	Clip, d = 8 mm	7441 959 ³	7441 959 ³		
374	Flange elbow G ¾" x 1"	7441 992 ¹⁰	7441 992 ¹⁰		
400	Install./Serv. Instr. Solar-Divicon DNHX	5724 267 ^L	5724 267 ^L		
401	Parts List Solar-Divicon DNHX	5724 268 ^L	5724 268 ^L		

Solar-Divcon-HX	DN20 7834 370	DN25 7834 371	
------------------------	--------------------------------	--------------------------------	--

General Info	Price List Section:	6
	Parts Catalog Section	21
	Start Date	7/2010 -
	End Date	present
	Accurate as of:	07/01/2012

Parts List

Please refer to: Parts List

Pos. Description Part Numbers / Price Categories

Notes:

"n.a." indicates not applicable.

"W" indicates wearing part (service).

"L" indicates literature (no charge).

"Kit" or "Other" indicates that this is not a Price Category item; contact Inside Sales for pricing.

Parts List

Solar-Divicon-HX

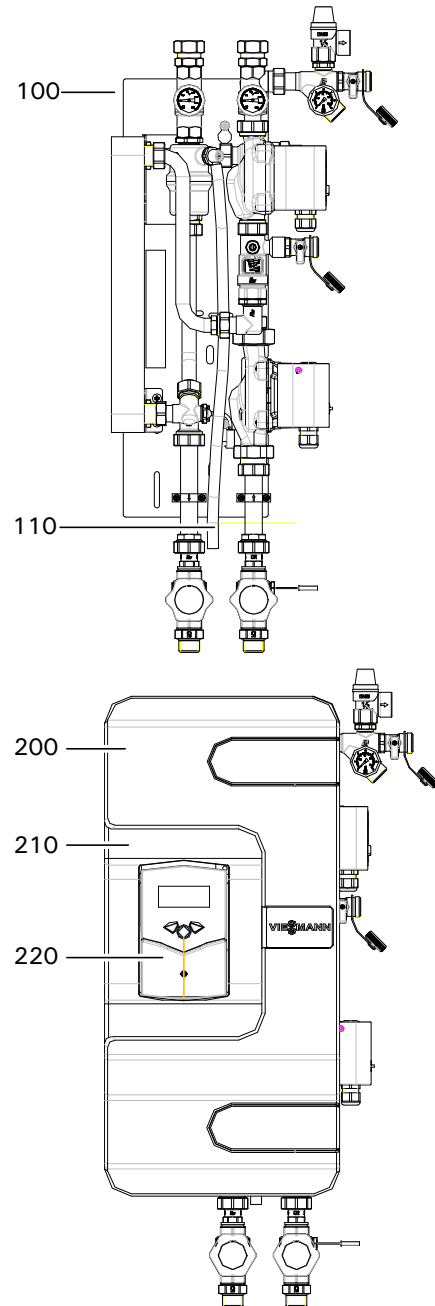
Model No.	Order No.
DN20	7834 370
DN25	7834 371

Ordering Replacement Parts:
Order replacement components from your Viessmann distributor.

- Parts**
- 100 Wall-mount bracket, 559 x 185 x 2mm
 - 110 Hose, transparent, d = 10 x 2 mm
 - 200 Insulation jacket
 - 210 Mounting kit, SCU 123
 - 220 Solar Control Unit SCU 123

- Other Parts** (not illustrated)
- 400 Installation and Service Instructions
 - 401 Parts List

Product may not be exactly as illustrated.

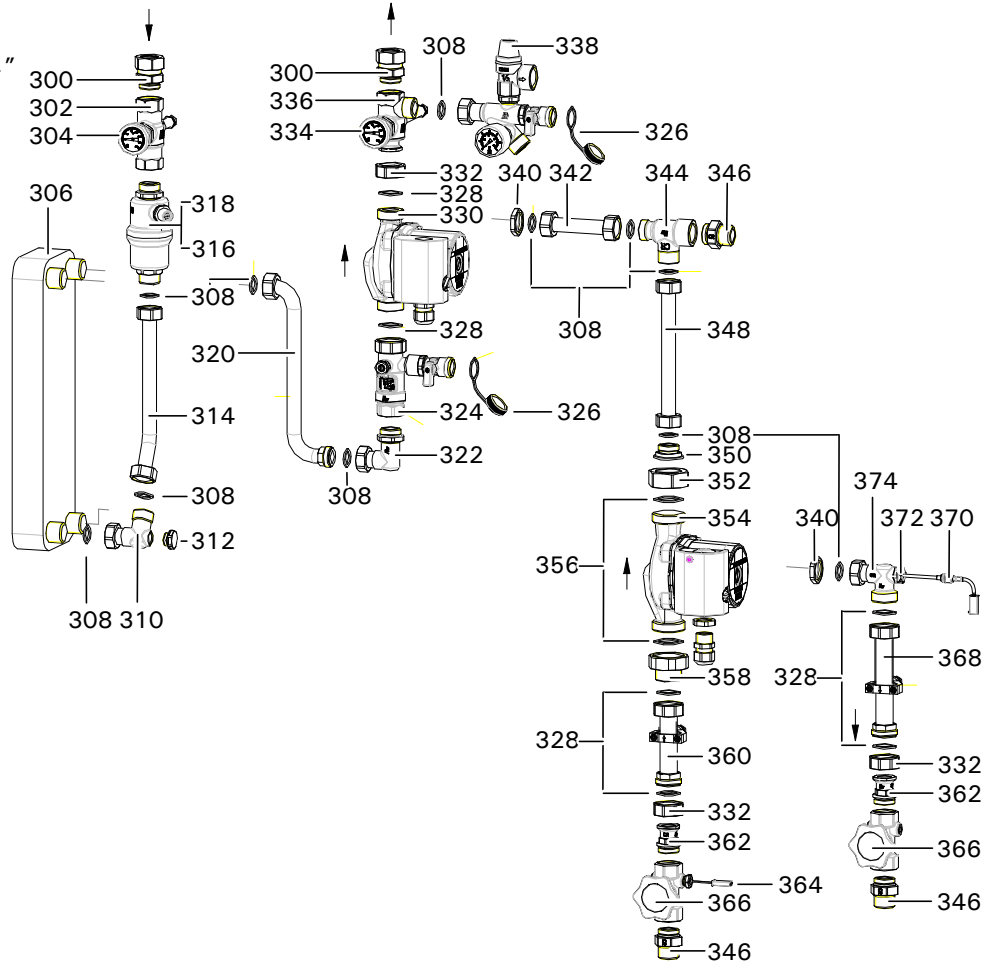


Please file in Service Binder

Solar-Divicon-HX

Parts

- 300 Split ring compression fitting, 3/4"
- 302 Ball valve, supply 3/4" x 3/4"
- 304 Thermometer, 32-320°F (red)
- 306 Heat exchanger
- 308 Gasket, 24 x 17 x 2 mm
- 310 Flange elbow G 3/4" x 3/4"
- 312 Plug, 3/8"
- 314 Stainless steel tube
- 316 Vent plug, 3/8"
- 318 Air separator
- 320 Stainless steel tube
- 322 Flange elbow, 90° x F 1/2"
- 324 Flow meter
- 326 Cap, 3/4"
- 328 Gasket, 30 x 21 x 2 mm
- 330 Solar Circulation pump
- 332 Half union, G 1"
- 334 Thermometer, 32-320°F (blue)
- 336 Ball valve, return 3/4" x 3/4"
- 338 Pressure relief valve,
SV 6 bar / 87psig
- 340 Lock nut, 3/4"
- 342 Stainless steel tube,
d = 18 x 1 cm
- 344 Tee, 2 x 3/4" x 3/4"
- 346 Double nipple, 3/4" with O-ring
- 348 Stainless steel tube,
d = 18 x 1 cm
- 350 Flange fitting 3/4" x 3/4"
- 352 Half union, G 1 1/4"
- 354 DHW Circulation pump
Wilo S21BU
- 356 Gasket, 38 x 27 x 2 mm
- 358 Adaptor, 1 1/4" x 1"
- 360 Stainless steel tube,
d = 22 x 1.2 mm
- 362 Flange nipple, 3/4" x 3/4"
- 364 Temperature sensor
- 366 Piston valve DN20, 2 x 3/4"
- 368 Stainless steel tube,
d = 22 x 1.2 cm
- 370 Temperature Sensor, PT1000
- 372 Clip, d = 8 mm
- 374 Flange elbow G 3/4" x 1"



Product may not be exactly as illustrated.

Solar-Divicon		DN20 7134 799	DN25 7134 800	DN25 7418 992	
General Info	Price List Section:	6			
	Parts Catalog Section	21			
	Start Date	7/2007 -	7/2007 -	5/2009 -	
	End Date	present	5/2009	present	
	Accurate as of:	07/01/2012			

Parts List

Please refer to: Parts List

Pos. Description

Part Numbers / Price Categories

001	Insulation Case	7134 801 ¹⁴	7134 802 ¹⁴	7134 802 ¹⁴	
002	Wall-Mount Bracket	7134 803 ⁷	7134 804 ⁷	7134 804 ⁷	
003	Cover Plate "Viessmann"	7134 805 ³	7134 806 ³	7134 806 ³	
004	Spring Clip	7134 807 ²	7134 807 ²	7134 807 ²	
005	System Fill Manifold	7134 808 ¹⁵	7134 809 ¹⁶	7134 809 ¹⁶	
006	Hose Nib	7134 810 ⁴	7134 810 ⁴	7134 810 ⁴	
007	Gasket Set	7134 811 ⁴	7134 812 ⁴	7134 812 ⁴	
008	Safety Tee	7134 813 ¹⁸	7134 814 ²¹	7134 814 ²¹	
009	Ball Valve/FCV (return)	7134 815 ¹¹	7134 816 ¹⁵	7134 816 ¹⁵	
010	Ball Valve/FCV (supply)	7134 817 ¹¹	7134 818 ¹⁵	7134 818 ¹⁵	
011	Half Union	7134 819 ³	7134 820 ³	7134 820 ³	
012	Flow Meter	7134 821 ¹⁸	7134 822 ¹⁸	7134 822 ¹⁸	
013	Auto Air Vent w Air Separator	7134 823 ²⁰	7134 824 ²¹	7134 824 ²¹	
014	Circ Pump 120/1/60	7134 825 ²⁸	7134 826 ²⁹	7441 980 ²⁹	
015	Flare Fittings (Set of 2)	7134 827 ¹⁰	7134 828 ¹⁰	7134 828 ¹⁰	
016	Coupling, ¾ BSP x ¾" NPT Brass	7134 829 ⁷	7134 829 ⁷	7134 829 ⁷	
017	Adaptor f Pr.Gage ¼"	7134 830 ⁵	7134 830 ⁵	7134 830 ⁵	
018	Handle f Ball Valve, BLK	7134 831 ³	7134 832 ³	7134 832 ³	
019 a ^{*1}	Thermometer, 320°F (Red)	7134 833 ⁷	7134 834 ⁷	7134 834 ⁷	
019 b	Thermometer, 160°C (Red)	7134 841 ⁷	n.a. ^{n.a.}	n.a. ^{n.a.}	
020 a ^{*1}	Thermometer, 320°F (Blue)	7134 835 ⁷	7134 836 ⁷	7134 836 ⁷	
020 b	Thermometer, 160°C (Blue)	7134 842 ⁷	n.a. ^{n.a.}	n.a. ^{n.a.}	
021	Handle Cover f Ball Valve	7134 837 ²	7134 838 ²	7134 838 ²	
022	Press. Gage 86PSI/6Bar 1 ½"	7134 839 ⁸	7134 839 ⁸	7134 839 ⁸	
023	Pr.Rel Valve, ½ x ½" 87PSI	7134 840 ⁹	7134 840 ⁹	7134 840 ⁹	
100	Installation and Service Instructions	5349 544 ^L	5349 544 ^L	5368 516 ^L	
101	Parts List	5349 589 ^L	5349 589 ^L	5349 589 ^L	

Notes:

*1 IMPORTANT Thermometers 7134 834 and 7134 836 have a dual scale in both °F and °C.

"n.a." indicates not applicable.

"W" indicates wearing part (service).

"L" indicates literature (no charge).

"Kit" or "Other" indicates that this is not a Price Category item; contact Inside Sales for pricing.

Parts List



Solar-Divicon

Model No.	Order No.
DN20 Star 16U-15	7134 799
DN25 Star 21U-25	7134 800
DN25 Star 30U-25	7418 992

Ordering Replacement Parts:

Order replacement components from your Viessmann distributor.

Parts

- 001 Insulation case
- 002 Wall-mount bracket
- 003 Cover plate "Viessmann"
- 004 Spring clip
- 005 System fill manifold
- 006 Hose nib
- 007 Gasket set
- 008 Safety tee
- 009 Ball valve with integrated flow-check valve (return)
- 010 Ball valve with integrated flow-check valve (supply)
- 011 Half union *1
- 012 Flow meter
- 013 Auto air vent with air separator
- 014 Circulation pump 120/1/60
- 015 Flare fittings (set of 2)
- 016 Brass coupling, 3/4 BSP x 3/4" NPT
- 017 Adaptor for pressure gage
- 018 Handle for ball valve
- 019 Thermometer (blue) *2
- 020 Thermometer (red) *2
- 021 Handle cover for ball valve
- 022 Pressure gage, 86psi/6bar
- 023 Pressure relief valve, 87psi

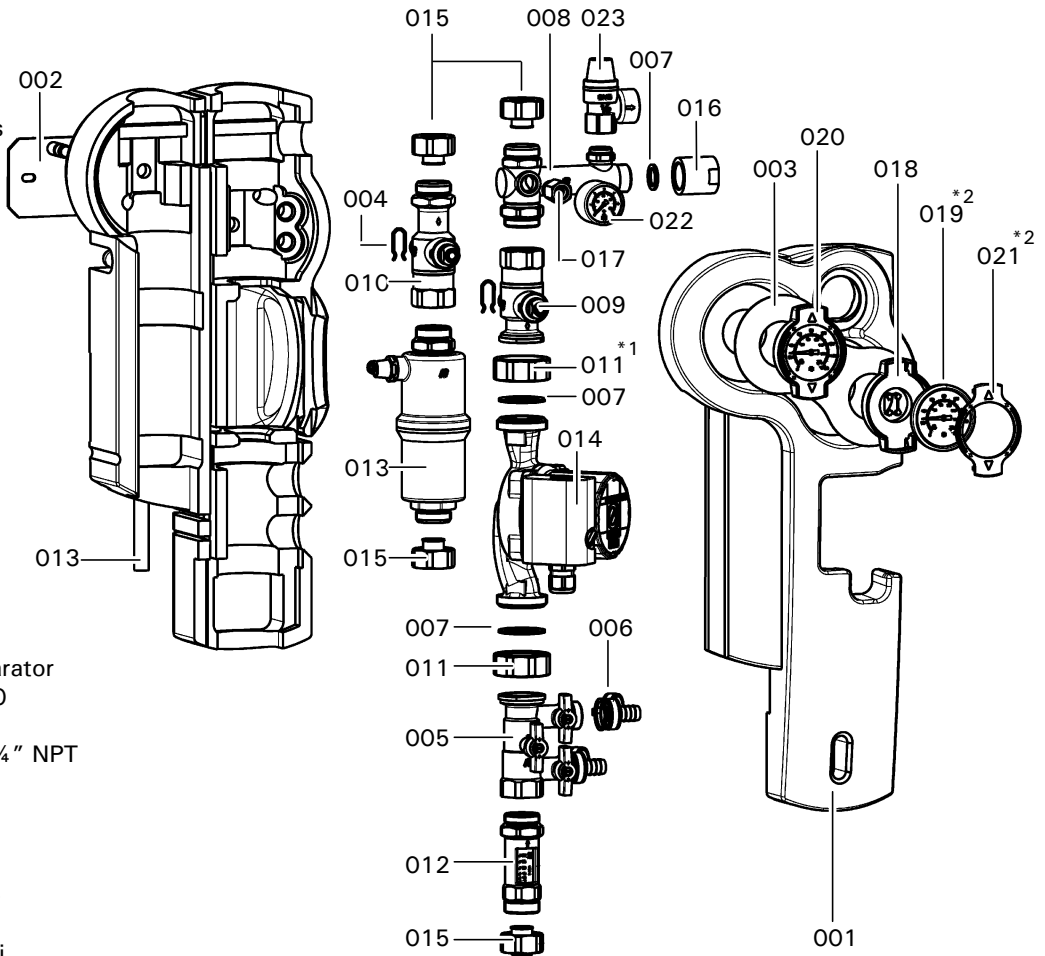
Other Parts (not illustrated)

- 100 Installation and Service Instructions
- 101 Parts List

*1 Applies only to DN25 model.

*2 DN20 models are shipped with °F thermometers. Contact Viessmann for °C thermometers.
DN25 models are shipped with dual scale °F/°C thermometers.

Product may not be exactly as illustrated.



Please file in Service Binder

Solar-Divcon *1		PS10 7134 734	PS20 7134 735	
General Info	Price List Section:	6.1		
	Parts Catalog Section	21		
	Series Name:	Version 2	(7/2006 - 7/2007)	
	Applies to serials nos. beginning with:			
	Accurate as of:	07/01/2012		

Parts List

Please refer to: Parts List

Pos. Description Part Numbers / Price Categories

001	Compression Ring (w Hex Nut)	7824 765 ⁵	7824 765 ⁵		
002	Insulation Case	7824 766 ¹⁷	7824 775 ¹⁷		
003	Ball Valve, Supply (w Gasket)	7824 767 ¹⁹	7824 767 ¹⁹		
004	Thermometer, 120°C (Blue)	7824 768 ⁶	7824 768 ⁶		
005	Flow Meter	7824 769 ¹²	7824 776 ¹²		
006 *2	Circ Pump	9549 799 ^{Other}	7248 585 ³⁶		
007	Gasket Set	7824 770 ⁷	7824 770 ⁷		
008	Pr.Rel Valve (no Gage) 6bar	7824 771 ¹⁶	7824 771 ¹⁶		
009	Ball Valve, Return	7824 772 ¹⁵	7824 772 ¹⁵		
010	Press. Gage, 10bar	7824 773 ⁷	7824 773 ⁷		
011	Access. Pack (Half Washers)	7824 774 ⁷	7824 774 ⁷		
012	Start-Up/Serv. Instr. Solar-Divicon v2	5346 230 ^L	5346 230 ^L		
013	Thermometer, 120°C (Red)	7824 800 ⁶	7824 800 ⁶		
100	Copper Pipe Adap, ¾"x4"	9543 380 ⁶	9543 380 ⁶		

Notes:

*1 IMPORTANT Viessmann has more than 1 version of PS10 and PS20. These are distinguishable visually **only**.
Please use parts list explosion drawing to decipher which version a customer has.

*2 IMPORTANT Replacement circulation pumps are shipped with a volute, which must be discarded. Use **only** the integral volute piped into the Solar-Divicon.

"n.a." indicates not applicable.

"W" indicates wearing part (service).

"L" indicates literature (no charge).

"Kit" or "Other" indicates that this is not a Price Category item; contact Inside Sales for pricing.

8 Parts List

Solar-Divicon

Ordering Replacement Parts:

Please provide Position No. (from this Parts List) when ordering replacement parts.

Order replacement parts from your Viessmann distributor.

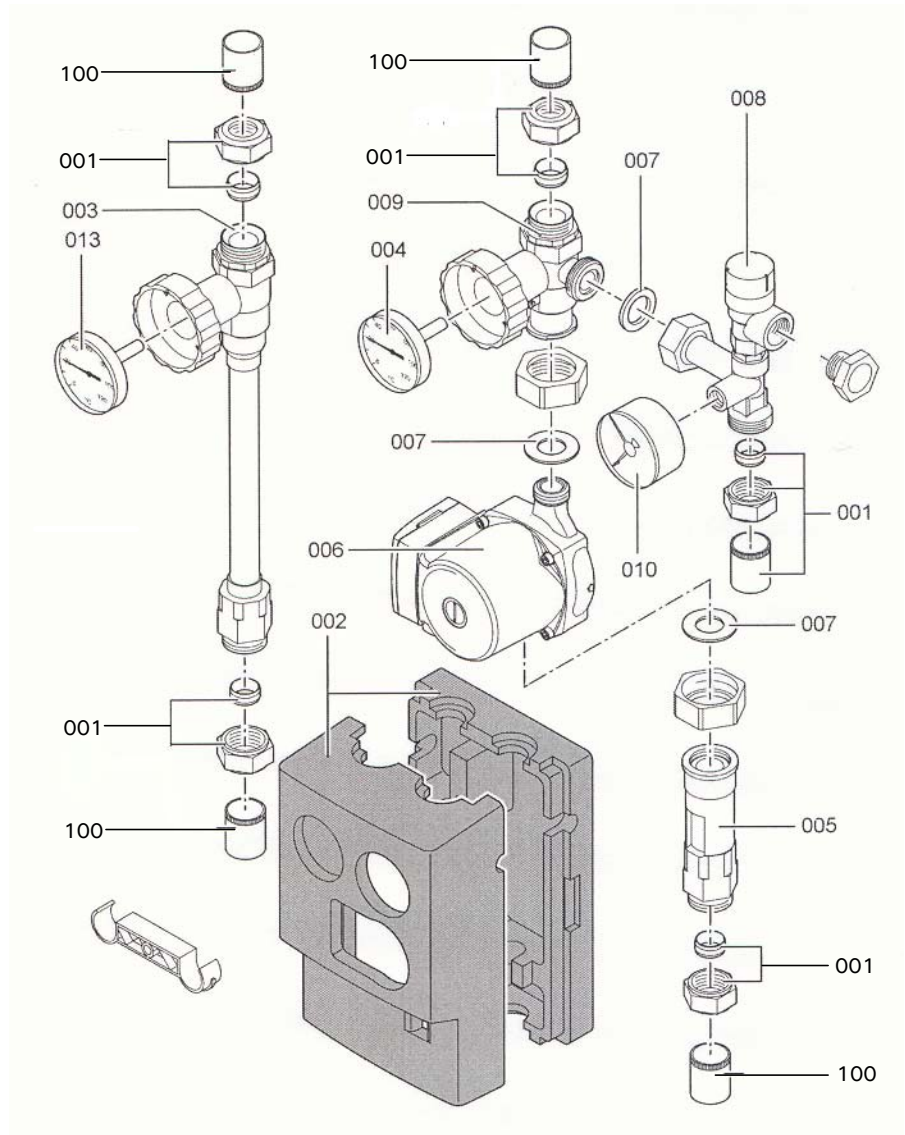
Parts

- 001 Compression ring (with hex nut)
- 002 Insulation case
- 003 Ball valve (water return with gaskets)
- 004 Temperature gage (blue)
- 005 Flow meter (with gasket)
- 006 Circulation pump (with gasket) *1
- 007 Set of gaskets
- 008 Pressure relief valve
- 009 Ball valve (water supply)
- 010 Pressure gage (with gasket)
- 013 Temperature gage (red)
- 100 Copper pipe adaptor

Other Parts (not illustrated)

- 011 Accessory pack, half washers
- 012 Start-up/Service Instructions

*1 Replacement circulation pumps are shipped with a volute, which must be discarded. Use only the integral volute piped into the Solar-Divicon.



Printed on environmentally friendly
(recycled and recyclable) paper.



Technical information subject to change without notice.

Installation Accessories	PS10 7133 454	PS20 7133 455	
---------------------------------	--------------------------------	--------------------------------	--

General Info	Price List Section:	6.1	
	Parts Catalog Section:	21	
	Series Name:	PS	(6/2000 - 7/2006)
	Applies to serials nos. beginning with:	not applicable	
	Accurate as of:	07/01/2012	

Parts List

Please refer to: Parts List
Pos. Description

Part Numbers / Price Categories

001	Clamping Ring Connection	7316 271 ⁵	7316 271 ⁵		
002	Insulation Case	7316 273 ²⁴	7316 273 ²⁴		
003	Ball Valve w Flow-Chk Valve	7316 275 ¹⁷	7316 275 ¹⁷		
004	Thermometer 120°C	7316 278 ⁹	7316 278 ⁹		
005	Flow Meter w Gasket	7316 279 ¹³	7316 280 ²⁴		
006	Circ Pump	9549 799 ^{Other}	7248 585 ³⁶		
007 W	Gasket Set	7316 283 ⁴	7316 283 ⁴		
008	PRV, 6 Bar	7316 272 ¹⁴	7316 272 ¹⁴		
009	Ball Valve	7316 276 ¹⁷	7316 276 ¹⁷		
010	Press. Gage, 6 Bar	7316 277 ⁹	7316 277 ⁹		
011	Oper. Instr./User's Info Solartrol-M	5167 575 ^L	5167 575 ^L		

Notes:

"n.a." indicates not applicable.

"W" indicates wearing part (service).

Einzelteilliste

VIESMANN

Solar-Divicon

Best.-Nr. 7316 255 und
7316 256

Solar-Pumpenstrang

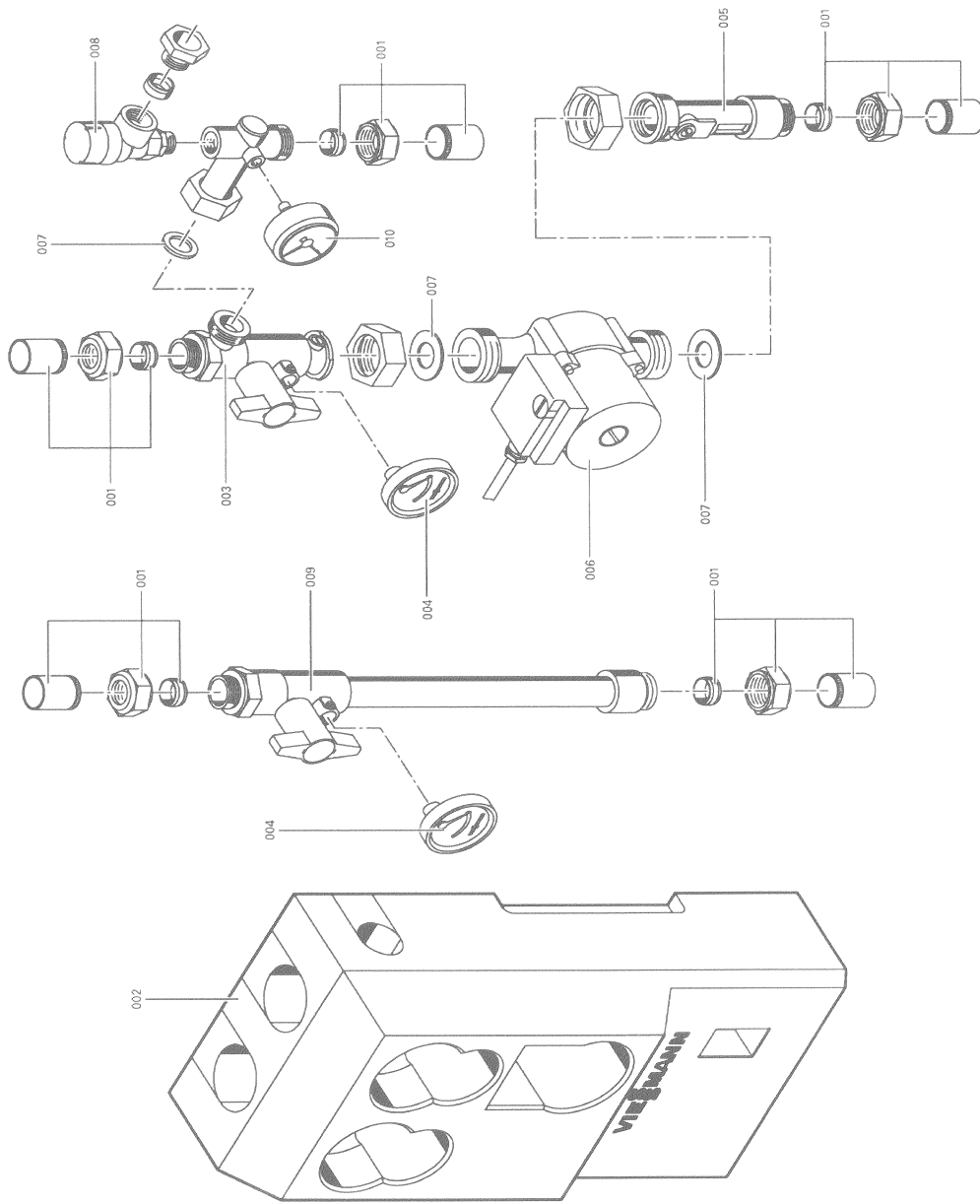
Best.-Nr. 7316 258 und
7316 259

Hinweise für Ersatzbestellungen!

Best.-Nr. sowie die Positionsnummer
des Einzelteiles (aus dieser Einzelteil-
liste) angeben.
Handelsübliche Teile sind im örtlichen
Fachhandel erhältlich.

Einzelteile zu Solar-Divicon

(Best.-Nr. 7316 255 und 7316 256)



Einzelteile ohne Abbildung
011 Montageanleitung
012 Einzelteilliste

Einzelteile für Solar-Pumpenstrang siehe Rückseite

Solar Charge Station

Solar Charge Station	7497 469	
-----------------------------	-----------------	--

General Info	Price List Section:	6.5	
	Parts Catalog Section:	21	(7/2011 - present)
	Series Name:		
	Applies to serials nos. beginning with:		
	Accurate as of:	07/01/2012	

Parts List

Please refer to: Parts List
Pos. Description

Part Numbers / Price Categories

Pos.	Description	Part Numbers / Price Categories			
010	Cart, RAL6011	7837 871 ³³			
020	Inflatable Wheel	7837 870 ¹²			
030	Tank, 30L	7837 873 ²⁷			
040	Hose Set	7837 851 ²⁶			
050	T-Piece 3 x G 3/4" I	7837 863 ⁷			
051	Reducer Plug 3/4"-3/8"	7837 845 ⁷			
052	Draining Plug 3/8"	7837 849 ⁷			
053	Threaded nipple 3/4"x3/4"	7837 864 ⁶			
060	Filter Kit	7837 874 ¹⁸			
061	Filter	7837 862 ¹²			
062	Extension fitting, 3/4"	7837 865 ⁴			
063	Connector, 90° 3/4"M	7837 872 ⁴			
064	O-Ring, 26x3	7837 847 ²			
065	Suction Hose, 13x3	7837 852 ¹³			
110	Hex Hd Screw, M5x55	7837 858 ²			
120	Plate (front)	7837 854 ¹²			
130	Disc SS (front)	7837 855 ⁵			
140	O-Ring 56-2 NBR	7837 850 ⁴			
150	Impeller	7837 876 ¹⁶			
160	Housing	7837 861 ¹⁵			
170	Disc SS (rear, w hole)	7837 856 ⁶			
180	O-Ring NBR 14x26x7	7837 848 ⁷			
190	Locking Ring I 26x1.2	7837 859 ³			
200	Plate (rear)	7837 857 ¹⁵			
210	Fitting Key A3x3x16	7837 860 ²			
220	Control Box	7837 875 ¹⁴			
230	Handle (CEG Motor)	7837 866 ⁹			
240	Base (CEG Motor)	7837 868 ⁷			
250	Cover (CEG Motor)	7837 869 ⁸			
260	Motor, 0.37kW 110/1/60	7837 853 ⁴⁷			

Notes:

"n.a." indicates not applicable.

"W" indicates wearing part (service).

"L" indicates literature (no charge).

"Kit" or "Other" indicates that this is not a Price Category item; contact Inside Sales for pricing.

VITOROND 200

Vitorond 200	VD2A 125	VD2A 160	VD2A 195	VD2A 230	VD2A 270	
General Info	Price List Section: 7.1					
	Parts Catalog Section: 22					
	Series Name: VD2A					
	Accurate as of: 07/01/2012					
Shipping Overview	Assembled Cast-Iron Block, undrilled burner plate					
Price List	VD2A452	VD2A453	VD2A454	VD2A455	VD2A456	
Shell	7247 985	7247 986	7247 987	7247 988	7247 989	
Jkt	7160 530	7160 531	7160 532	7160 533	7160 534	
Header	7374 408	7374 408	7374 408	7374 408	7374 408	
Burner Plate	7248 004	7248 004	7248 004	7248 004	7248 004	
Boiler Stand	7247 996	7247 997	7247 998	7247 999	7248 000	
Inst Fittings	7160 528	7160 528	7160 528	7160 528	7160 528	
	Segmented Cast-Iron Sections, undrilled burner plate					
Price List	VD2A457	VD2A458	VD2A459	VD2A460	VD2A461	
Shell	7247 980	7247 981	7247 982	7247 983	7247 984	
Jkt	7160 530	7160 531	7160 532	7160 533	7160 534	
Header	7374 408	7374 408	7374 408	7374 408	7374 408	
Burner Plate	7248 004	7248 004	7248 004	7248 004	7248 004	
Boiler Stand	7247 996	7247 997	7247 998	7247 999	7248 800	
Inst Fittings	7160 528	7160 528	7160 528	7160 528	7160 528	
	The burner plates listed above are undrilled. Please substitute in suitable burner plates below, depending on burner sold.					
Burner Plate Overview						
Riello	F15/F20/G750/G900					
	7160 546	7160 546	7160 546			
	RL28/RS28/RLS28/RS45					
	7160 282	7160 282	7160 282			
Weishaupt	WL20 / WG20 / WL30 / WG30					
	7248 002	7248 002	7248 002	7248 002	7248 002	
	WG40/WL40/G3					
					7160 249	
	WM-G10/1					
	7248 002	7248 002	7248 002			

VITOROND 200

Vitorond 200	VD2A 125	VD2A 160	VD2A 195	VD2A 230
General Info	Price List Section:	7.1		
	Parts Catalog Section:	22		
	Series Name:	VD2A		(6/2008 - present)
	Applies to serials nos. beginning with:			
	Accurate as of:	07/01/2012		

Parts List

Please refer to: Parts List
Pos. Description

Part Numbers / Price Categories

Pos.	Description	VD2A 125	VD2A 160	VD2A 195	VD2A 230
001	Door Hinge	7223 817 ¹⁴	7223 817 ¹⁴	7223 817 ¹⁴	7223 817 ¹⁴
002	Door Hinge, Stop	7223 818 ¹³	7223 818 ¹³	7223 818 ¹³	7223 818 ¹³
003	Tie Rod M12	7827 562 ⁶	7827 563 ⁶	7827 564 ⁶	7827 565 ⁷
004	Nipple, D = 87	7827 567 ⁸	7827 567 ⁸	7827 567 ⁸	7827 567 ⁸
005	Mounting Bolt (Pkg of 1)	7810 777 ⁵	7810 777 ⁵	7810 777 ⁵	7810 777 ⁵
006 *1 *2	Rear Section (ASME)	7827 568 ⁴⁶	7827 568 ⁴⁶	7827 568 ⁴⁶	7827 568 ⁴⁶
007 *1 *2	Center Section (ASME)	7827 569 ⁴⁷	7827 569 ⁴⁷	7827 569 ⁴⁷	7827 569 ⁴⁷
008 *1 *2	Front Section (ASME)	7827 570 ⁵¹	7827 570 ⁵¹	7827 570 ⁵¹	7827 570 ⁵¹
009	Boiler Door	7827 571 ⁵²	7827 571 ⁵²	7827 571 ⁵²	7827 571 ⁵²
010	Insulation Mat	7827 572 ¹⁰	7827 572 ¹⁰	7827 572 ¹⁰	7827 572 ¹⁰
011	Insulation Mat	7827 573 ¹⁴	7827 573 ¹⁴	7827 573 ¹⁴	7827 573 ¹⁴
012 zzz	Comb.Chbr.Dr.Refr.	7827 574 ³⁰	7827 574 ³⁰	7827 574 ³⁰	7827 574 ³⁰
013 zzz	Gasket Rope GF, 20x15 L = 3000mm	7820 302 ¹³	7820 302 ¹³	7820 302 ¹³	7820 302 ¹³
014	4-Point Sensor Well	7812 522 ¹²	7812 522 ¹²	7812 522 ¹²	7812 522 ¹²
015	Flue Gas Collector	7827 575 ³⁰	7827 575 ³⁰	7827 575 ³⁰	7827 575 ³⁰
016	Barbed Hose Nipple ¼ "	7816 212 ⁵	7816 212 ⁵	7816 212 ⁵	7816 212 ⁵
017	Plastic Hose, 800mm	7810 029 ⁴	7810 029 ⁴	7810 029 ⁴	7810 029 ⁴
018	Sight Glass c/w Gaskets	7811 837 ⁵	7811 837 ⁵	7811 837 ⁵	7811 837 ⁵
019	Sight Glass Assembly	7827 576 ⁵	7827 576 ⁵	7827 576 ⁵	7827 576 ⁵
020	Burner Plate, VD2A (not drilled)	7248 004 ^{Other}	7248 004 ^{Other}	7248 004 ^{Other}	7248 004 ^{Other}
021	Plug, 2"	7815 631 ⁷	7815 631 ⁷	7815 631 ⁷	7815 631 ⁷
022	Cleaning Brush Handle	7810 048 ⁷	7810 048 ⁷	7810 048 ⁷	7810 048 ⁷
023 *3	Turbulator Insert, W2Z A top	7827 577 ¹¹	7827 577 ¹¹	7827 577 ¹¹	n.a. ^{n.a.}
024 *3	Turbulator Insert, W2Z B bottom	7827 578 ¹¹	7827 578 ¹¹	7827 578 ¹¹	n.a. ^{n.a.}
027	Gasket 275 x 275mm	7827 579 ¹¹	7827 579 ¹¹	7827 579 ¹¹	7827 579 ¹¹
028	Extension Rod M10 355mm	7824 022 ¹⁰	7824 022 ¹⁰	7824 022 ¹⁰	7824 022 ¹⁰
030	Plastic Hose Assembly	7267 509 ⁸	7267 509 ⁸	7267 509 ⁸	7267 509 ⁸
031	Bolt	7810 776 ⁵	7810 776 ⁵	7810 776 ⁵	7810 776 ⁵
032	Insulation Blkt, d = 240mm	7827 581 ⁷	7827 581 ⁷	7827 581 ⁷	7827 581 ⁷
033	Gasket DN65 PN6	7815 440 ⁴	7815 440 ⁴	7815 440 ⁴	7815 440 ⁴
034	Cleanout Cover	7827 582 ¹⁰	7827 582 ¹⁰	7827 582 ¹⁰	7827 582 ¹⁰
035	Gasket GF, 10x10x1000mm	7820 299 ⁸	7820 299 ⁸	7820 299 ⁸	7820 299 ⁸
036 *2	Fiber Rope Seal 12x12x3000mm	7827 583 ¹⁰	7827 583 ¹⁰	7827 583 ¹⁰	7827 583 ¹⁰
037	Access. Pack (Ret.Dist)	7827 584 ¹⁷	7827 585 ²²	7827 586 ²²	7827 587 ²²
038	Gasket 60 x 116 x 3mm	7828 350 ⁶	7828 350 ⁶	7828 350 ⁶	7828 350 ⁶
039	Flange	7827 589 ¹¹	7827 589 ¹¹	7827 589 ¹¹	7827 589 ¹¹
041	Gasket (Ret.Dist) 62x95x3mm	7827 591 ⁸	7827 591 ⁸	7827 591 ⁸	7827 591 ⁸
200	Cover Strip	7824 425 ¹²	7824 425 ¹²	7824 425 ¹²	7824 425 ¹²
201	Top Panel, front	7827 449 ¹⁹	7827 450 ¹⁹	7827 451 ²⁰	7827 452 ²⁰
202	Front Panel	7352 615 ²⁰	7352 615 ²⁰	7352 615 ²⁰	7352 615 ²⁰
203	Side Panel (left)	7827 440 ¹⁹	7827 441 ¹⁹	7827 442 ²⁰	7827 443 ²¹
204	Side Panel (right)	7827 435 ¹⁹	7827 436 ¹⁹	7827 437 ²⁰	7827 438 ²¹
205	Top Panel, back	7827 448 ¹³	7827 448 ¹³	7827 448 ¹³	7827 448 ¹³
					continued
206	Insulation Blkt	7827 454 ¹⁸	7827 455 ¹⁹	7827 456 ¹⁹	7827 457 ²⁰

VITOROND 200

Vitorond 200	VD2A 125	VD2A 160	VD2A 195	VD2A 230
---------------------	-----------------	-----------------	-----------------	-----------------

General Info	Price List Section:	7.1		
	Parts Catalog Section:	22		
	Series Name:	VD2A		(6/2008 - present)
	Applies to serials nos. beginning with:			
	Accurate as of:	07/01/2012		

Parts List

Please refer to: Parts List
Pos. Description

Part Numbers / Price Categories

Pos.	Description	7827 434 ²¹	7827 434 ²¹	7827 434 ²¹	7827 434 ²¹
207	Front Left Cover	7827 434 ²¹	7827 434 ²¹	7827 434 ²¹	7827 434 ²¹
208	Front Right Cover	7827 433 ²¹	7827 433 ²¹	7827 433 ²¹	7827 433 ²¹
209	Back Panel, Left	7827 447 ¹⁹	7827 447 ¹⁹	7827 447 ¹⁹	7827 447 ¹⁹
210	Back Panel, Right	7827 446 ¹⁹	7827 446 ¹⁹	7827 446 ¹⁹	7827 446 ¹⁹
211	Insulation Blkt, Rear	7827 459 ¹²	7827 459 ¹²	7827 459 ¹²	7827 459 ¹²
212	Strain Relief (2-Channel)	7818 493 ⁴	7818 493 ⁴	7818 493 ⁴	7818 493 ⁴
213	Nameplate Vitorond 200	7819 437 ⁵	7819 437 ⁵	7819 437 ⁵	7819 437 ⁵
214	Cover, Edgemolding	7819 438 ⁴	7819 438 ⁴	7819 438 ⁴	7819 438 ⁴
215	Extension Bolt, Rear	7827 460 ⁵	7827 460 ⁵	7827 460 ⁵	7827 460 ⁵
301	Split Kit (all sections)	7267 676 ²⁴	7267 677 ²⁶	7267 678 ²⁸	7267 679 ³⁰
302 ^{*2}	Split Kit (1 section)	Z005182 ^{Kit}	Z005182 ^{Kit}	Z005182 ^{Kit}	Z005182 ^{Kit}
303	Soudal Gasket Seal (Tube 310ml)	7815 128 ¹³	7815 128 ¹³	7815 128 ¹³	7815 128 ¹³
305	Access. Pack (Insulation)	7827 432 ¹²	7827 432 ¹²	7827 432 ¹²	7827 432 ¹²
306	Decorative Stripe	7819 535 ⁵	7819 535 ⁵	7819 535 ⁵	7819 535 ⁵
307	Touch-UP Spray Paint Vitotec, SIL	7819 545 ⁹	7819 545 ⁹	7819 545 ⁹	7819 545 ⁹
308	Touch-UP Paint Stk Vitotec SIL	7819 546 ⁵	7819 546 ⁵	7819 546 ⁵	7819 546 ⁵
312 W	Cleaning Brush Head, sm	7827 593 ⁸	7827 593 ⁸	7827 593 ⁸	7827 593 ⁸
313 W	Cleaning Brush Head, lg	7816 074 ⁹	7816 074 ⁹	7816 074 ⁹	7816 074 ⁹
350	Gasket (Safety Hdr, VD2A) 41x56x2mm	9041 054 ⁴	9041 054 ⁴	9041 054 ⁴	9041 054 ⁴
351	Gasket DN40 PN6	7815 438 ³	7815 438 ³	7815 438 ³	7815 438 ³
400	Installation Fittings, VD2A	7160 528 ^{Other}	7160 528 ^{Other}	7160 528 ^{Other}	7160 528 ^{Other}
401	Press. Gage, 0-160PSI 2.5" E215	9609 209 ⁷	9609 209 ⁷	9609 209 ⁷	9609 209 ⁷
402 a	Pr.Rel Valve, 1 x 1" 85PSI Conbraco	7373 572 ²⁰	7373 572 ²⁰	7373 572 ²⁰	7373 572 ²⁰
402 b	Pr.Rel Valve, 1 x 1" 30PSI Conbraco	9544 341 ²⁰	9544 341 ²⁰	9544 341 ²⁰	9544 341 ²⁰
403	Loctite 55 Pipe Sealing Cord 12m/39'	9609 467 ⁷	9609 467 ⁷	9609 467 ⁷	9609 467 ⁷
404	Low Water Cutoff Model 550 w Man. Res	9544 357 ³³	9544 357 ³³	9544 357 ³³	9544 357 ³³
405	Thermometer Bimetal C/F, 3" 0-250°F	9544 352 ²²	9544 352 ²²	9544 352 ²²	9544 352 ²²
406	Air Vent w Shut-off Base 3/8"	9542 941 ⁸	9542 941 ⁸	9542 941 ⁸	9542 941 ⁸
407	Shut-Off Base, 3/8" F > 1/2" M	7812 359 ⁵	7812 359 ⁵	7812 359 ⁵	7812 359 ⁵
408	Flange DN2631 PN6 > 2 1/2" NPT	9609 342 ¹⁷	9609 342 ¹⁷	9609 342 ¹⁷	9609 342 ¹⁷
409	Plug, 3/4" BSPT BMI	9609 210 ^{n.a.}	9609 210 ^{n.a.}	9609 210 ^{n.a.}	9609 210 ^{n.a.}
					continued

VITOROND 200

Vitorond 200	VD2A 125	VD2A 160	VD2A 195	VD2A 230
--------------	----------	----------	----------	----------

General Info	Price List Section:	7.1		
	Parts Catalog Section:	22		
	Series Name:	VD2A		(6/2008 - present)
	Applies to serials nos. beginning with:			
	Accurate as of:	07/01/2012		

Parts List

Please refer to: Parts List

Pos. Description Part Numbers / Price Categories

420	Tech Lit Set	7160 186 ^L	7160 186 ^L	7160 186 ^L	7160 186 ^L
421	Install. Instr.	5354 788 ^L	5354 788 ^L	5354 788 ^L	5354 788 ^L
422	Start-Up/Service Instr.	5354 789 ^L	5354 789 ^L	5354 789 ^L	5354 789 ^L
423	Oper. Instr./User's Info	5285 432 ^L	5285 432 ^L	5285 432 ^L	5285 432 ^L
424	Parts List	5163 963 ^L	5163 963 ^L	5163 963 ^L	5163 963 ^L
425	Warranty Sheet Cast-Iron, Commercial	5348 720 ^L	5348 720 ^L	5348 720 ^L	5348 720 ^L
426	Install. Instr. Venting System	5355 834 ^L	5355 834 ^L	5355 834 ^L	5355 834 ^L
427	Install. Supp. Barometric Draft Regul	5167 162 ^L	5167 162 ^L	5167 162 ^L	5167 162 ^L
428	Technical Data Sheet, Loctite 55	5354 003 ^L	5354 003 ^L	5354 003 ^L	5354 003 ^L

Notes:

*1 IMPORTANT This replacement part is not backwards compatible with VD2, RK4 or RL4. Do **not** substitute.

*2 IMPORTANT For **each** section replacement, order 1 x Pos. 302.

*3 IMPORTANT Only up to size VD2A 195.

"n.a." indicates not applicable.

"W" indicates wearing part (service).

"L" indicates literature (no charge).

"Kit" or "Other" indicates that this is not a Price Category item; contact Inside Sales for pricing.

VITOROND 200

Vitorond 200	VD2A 270	
--------------	----------	--

General Info	Price List Section:	7.1	
	Parts Catalog Section:	22	
	Series Name:	VD2A	(6/2008 - present)
	Applies to serials nos. beginning with:		
	Accurate as of:	07/01/2012	

Parts List

Please refer to: Parts List
Pos. Description

Part Numbers / Price Categories

Pos.	Description	Part Numbers / Price Categories			
001	Door Hinge	7223 817	¹⁴		
002	Door Hinge, Stop	7223 818	¹³		
003	Tie Rod M12	7827 566	⁷		
004	Nipple, D = 87	7827 567	⁸		
005	Mounting Bolt (Pkg of 1)	7810 777	⁵		
006 *1 *2	Rear Section (ASME)	7827 568	⁴⁶		
007 *1 *2	Center Section (ASME)	7827 569	⁴⁷		
008 *1 *2	Front Section (ASME)	7827 570	⁵¹		
009	Boiler Door	7827 571	⁵²		
010	Insulation Mat	7827 572	¹⁰		
011	Insulation Mat	7827 573	¹⁴		
012 zzz	Comb.Chbr.Dr.Refr.	7827 574	³⁰		
013 zzz	Gasket Rope GF, 20x15 L = 3000mm	7820 302	¹³		
014	4-Point Sensor Well	7812 522	¹²		
015	Flue Gas Collector	7827 575	³⁰		
016	Barbed Hose Nipple ¼ "	7816 212	⁵		
017	Plastic Hose, 800mm	7810 029	⁴		
018	Sight Glass c/w Gaskets	7811 837	⁵		
019	Sight Glass Assembly	7827 576	⁵		
020	Burner Plate, VD2A (not drilled)	7248 004	^{Other}		
021	Plug, 2"	7815 631	⁷		
022	Cleaning Brush Handle	7810 048	⁷		
023 *3	Turbulator Insert, W2Z A top	n.a.	^{n.a.}		
024 *3	Turbulator Insert, W2Z B bottom	n.a.	^{n.a.}		
027	Gasket 275 x 275mm	7827 579	¹¹		
028	Extension Rod M10 355mm	7824 022	¹⁰		
030	Plastic Hose Assembly	7267 509	⁸		
031	Bolt	7810 776	⁵		
032	Insulation Blkt, d = 240mm	7827 581	⁷		
033	Gasket DN65 PN6	7815 440	⁴		
034	Cleanout Cover	7827 582	¹⁰		
035	Gasket GF, 10x10x1000mm	7820 299	⁸		
036 *2	Fiber Rope Seal 12x12x3000mm	7827 583	¹⁰		
037	Access. Pack (Ret.Dist)	7827 588	²²		
038	Gasket 60 x 116 x 3mm	7828 350	⁶		
039	Flange	7827 589	¹¹		
041	Gasket (Ret.Dist) 62x95x3mm	7827 591	⁸		
200	Cover Strip	7824 425	¹²		
201	Top Panel, front	7827 453	²⁰		
202	Front Panel	7352 615	²⁰		
203	Side Panel (left)	7827 444	²²		
204	Side Panel (right)	7827 439	²²		
205	Top Panel, back	7827 448	¹³		
					continued
206	Insulation Blkt	7827 458	²¹		

VITOROND 200

Vitorond 200	VD2A 270	
--------------	----------	--

General Info	Price List Section:	7.1	
	Parts Catalog Section:	22	
	Series Name:	VD2A	(6/2008 - present)
	Applies to serials nos. beginning with:		
	Accurate as of:	07/01/2012	

Parts List

Please refer to: Parts List
Pos. Description

Part Numbers / Price Categories

207	Front Left Cover	7827 434	²¹			
208	Front Right Cover	7827 433	²¹			
209	Back Panel, Left	7827 447	¹⁹			
210	Back Panel, Right	7827 446	¹⁹			
211	Insulation Blkt, Rear	7827 459	¹²			
212	Strain Relief (2-Channel)	7818 493	⁴			
213	Nameplate Vitorond 200	7819 437	⁵			
214	Cover, Edgemolding	7819 438	⁴			
215	Extension Bolt, Rear	7827 460	⁵			
301	Split Kit (all sections)	7267 680	³²			
302 *2	Split Kit (1 section)	Z005182	Kit			
303	Soudal Gasket Seal (Tube 310ml)	7815 128	¹³			
305	Access. Pack (Insulation)	7827 432	¹²			
306	Decorative Stripe	7819 535	⁵			
307	Touch-UP Spray Paint Vitotec, SIL	7819 545	⁹			
308	Touch-UP Paint Stk Vitotec SIL	7819 546	⁵			
312 W	Cleaning Brush Head, sm	7827 593	⁸			
313 W	Cleaning Brush Head, lg	7816 074	⁹			
350	Gasket (Safety Hdr, VD2A) 41x56x2mm	9041 054	⁴			
351	Gasket DN40 PN6	7815 438	³			
400	Installation Fittings, VD2A	7160 528	Other			
401	Press. Gage, 0-160PSI 2.5" E215	9609 209	⁷			
402 a	Pr.Rel Valve, 1 x 1" 85PSI Conbraco	7373 572	²⁰			
402 b	Pr.Rel Valve, 1 x 1" 30PSI Conbraco	9544 341	²⁰			
403	Loctite 55 Pipe Sealing Cord 12m/39'	9609 467	⁷			
404	Low Water Cutoff Model 550 w Man. Res	9544 357	³³			
405	Thermometer Bimetal C/F, 3" 0-250°F	9544 352	²²			
406	Air Vent w Shut-off Base 3/8"	9542 941	⁸			
407	Shut-Off Base, 3/8"F > 1/2"M	7812 359	⁵			
408	Flange DN2631 PN6 > 2 1/2" NPT	9609 342	¹⁷			
409	Plug, 3/4" BSPT BMI	9609 210	n.a.			
						continued

VITOROND 200

Vitorond 200	VD2A 270	
--------------	----------	--

General Info	Price List Section:	7.1	
	Parts Catalog Section:	22	
	Series Name:	VD2A	(6/2008 - present)
	Applies to serials nos. beginning with:		
	Accurate as of:	07/01/2012	

Parts List

Please refer to: Parts List

Pos. Description Part Numbers / Price Categories

420	Tech Lit Set	7160 186 ^L			
421	Install. Instr.	5354 788 ^L			
422	Start-Up/Service Instr.	5354 789 ^L			
423	Oper. Instr./User's Info	5285 432 ^L			
424	Parts List	5163 963 ^L			
425	Warranty Sheet Cast-Iron, Commercial	5348 720 ^L			
426	Install. Instr. Venting System	5355 834 ^L			
427	Install. Supp. Barometric Draft Regul	5167 162 ^L			
428	Technical Data Sheet, Loctite 55	5354 003 ^L			

Notes:

- *1 IMPORTANT This replacement part is not backwards compatible with VD2, RK4 or RL4. Do **not** substitute.
- *2 IMPORTANT For **each** section replacement, order 1 x Pos. 302.
- *3 IMPORTANT Only up to size VD2A 195.
- "n.a." indicates not applicable.
- "W" indicates wearing part (service).
- "L" indicates literature (no charge).
- "Kit" or "Other" indicates that this is not a Price Category item

VITOROND 200 VD2A Series

Model No.	Serial No. *1
VD2A-125	7160530
VD2A-160	7160531
VD2A-195	7160532
VD2A-230	7160533
VD2A-270	7160534

Ordering Replacement Parts:

Please provide boiler Model and Serial Number from rating plate when ordering replacement parts. Order replacement components from your Viessmann distributor.

Parts

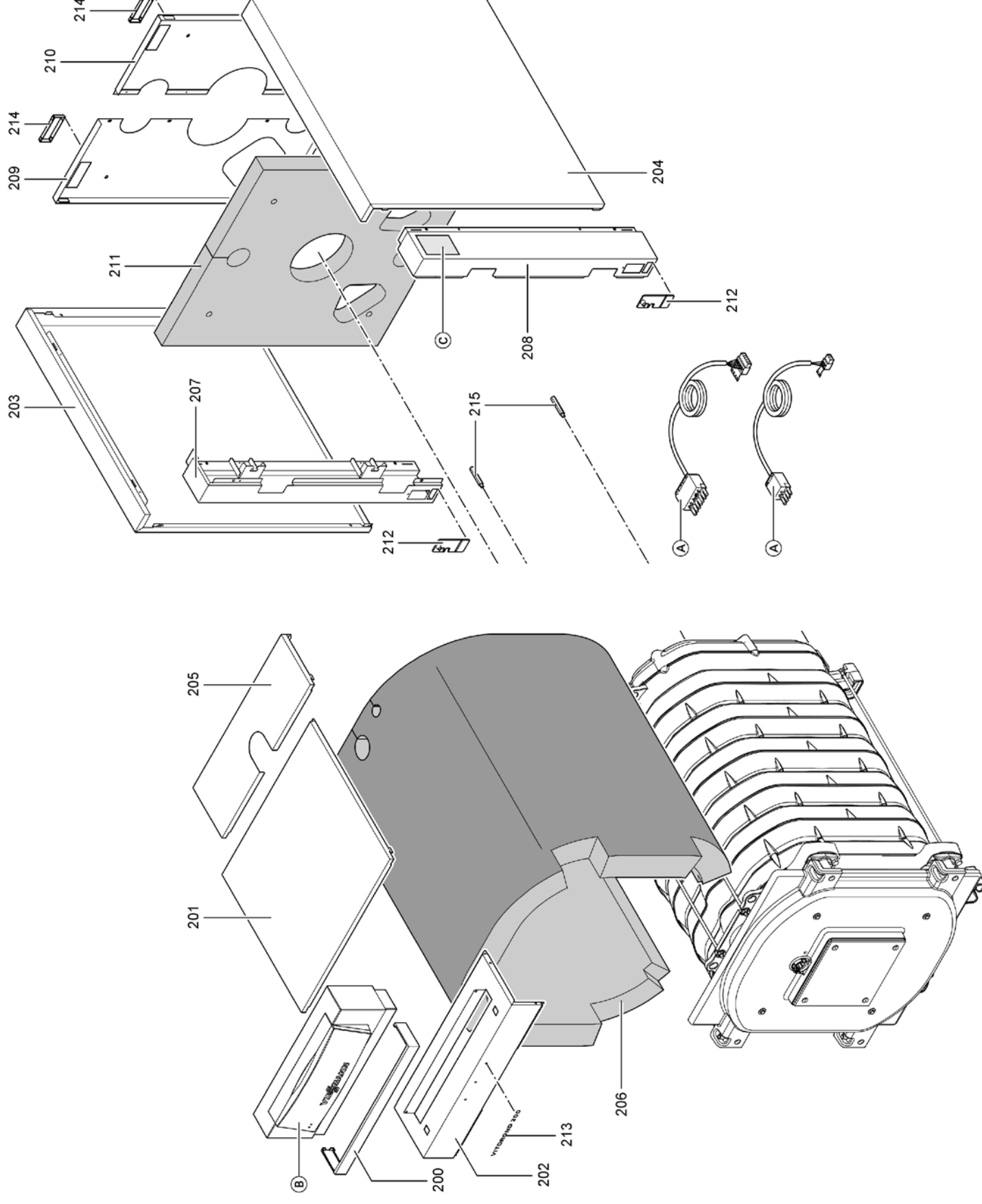
- 200 Cover strip
- 201 Top panel, front
- 202 Front panel
- 203 Side panel (left)
- 204 Side panel (right)
- 205 Top panel, back
- 206 Insulation blanket
- 207 Front left cover
- 208 Front right cover
- 209 Back panel, left
- 210 Back panel, right
- 211 Insulation blanket, rear
- 212 Strain relief (2-channel)
- 213 Nameplate "Vitorond 200"
- 214 Cover, edgemolding
- 215 Extension bolt, rear

Other Parts (not illustrated)

- 306 Decorative stripe
- 307 Touch-up spray paint Vitotec, silver
- 308 Touch-up paint stk Vitotec silver
- 420 Technical literature set
- 421 Installation Instructions
- 422 Start-Up/Service Instructions
- 423 Operating Instructions and User's Information Manual
- 424 Parts List
- 425 Warranty Sheet Cast-Iron
- 426 Installation Instructions, Venting System
- 427 Installation Supplement
- 428 Barometric Draft Regulator
- 428 Technical Data Sheet, Loctite 55

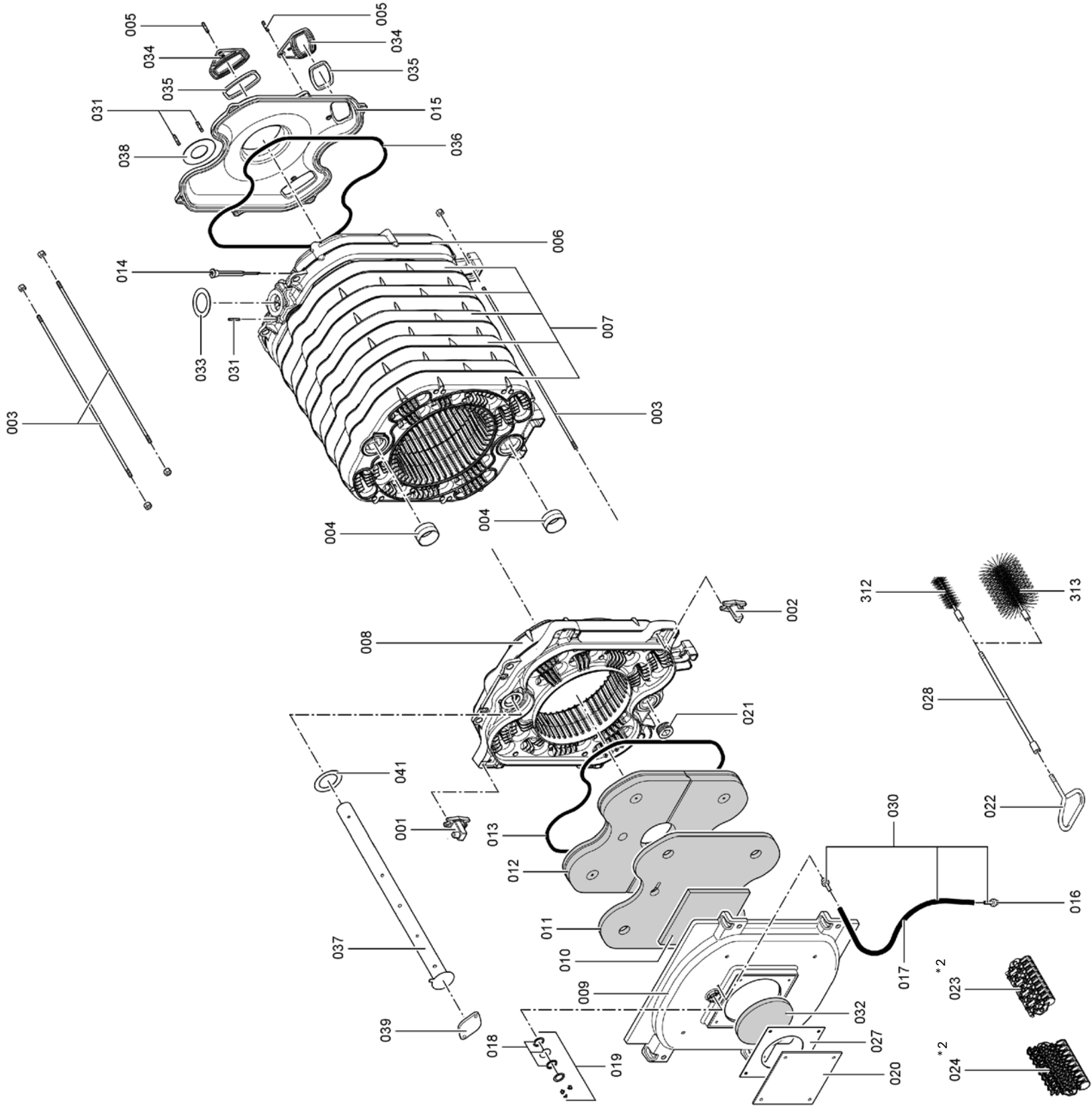
- (A) Burner/control cable (see Parts List of control unit)
- (B) Boiler control (see Parts List of control unit)
- (C) Rating plate

*1 A 16-digit bar-coded serial no. is printed on the Viessmann rating plate (C).



Boiler control may not be exactly as illustrated.

Vitorond 200 VD2A Series



Parts

- 001 Door hinge
- 002 Door hinge stop
- 003 Tie rod, M12
- 004 Nipple, d = 87mm
- 005 Mounting bolt (package of 1)
- 006 Rear section (ASME) *1
- 007 Center section (ASME) *1
- 008 Front section (ASME) *1
- 009 Boiler door
- 010 Insulation mat
- 011 Insulation mat
- 013 Glass-fiber gasket rope, 20x15 l = 3000mm
- 014 4-Point sensor well
- 015 Flue gas collector
- 016 Barbed hose nipple 1/4"
- 017 Plastic hose, 800mm
- 018 Sight glass c/w gaskets
- 019 Sight glass assembly
- 020 Burner plate
- 021 Plug, 2"
- 022 Cleaning brush handle
- 023 Turbulator insert, W2Z a top *2
- 024 Turbulator insert, W2Z b bottom *2
- 027 Gasket 275 x 275mm
- 028 Extension rod M10 355mm
- 030 Plastic hose assembly
- 031 Bolt
- 032 Insulation blanket, d = 240mm
- 033 Gasket DN65 PN6
- 034 Cleanout cover
- 035 Glass-fiber gasket, 10x10x1000mm
- 036 Fiber rope seal 12x12x3000mm
- 037 Accessory pack for return distribution tube
- 038 Gasket 60 x 116 x 3mm
- 039 Flange
- 041 Gasket for return distribution 62x95x3mm

Wear Parts

- 012 Combustion chamber door refractory
- 312 Cleaning brush head 25x40x100mm
- 313 Cleaning brush head 50x100x100mm

Other Parts (not illustrated)

- 301 Split kit (all sections)
- 302 Split kit (1 section)
(for Pos. 006, 007, 008)
- 303 Soudal gasket seal, tube 310ml
- 305 Accessory pack for insulation

*1 For each section being replaced, order 1 x item 302.

*2 Applies up to size VD2-195.

VITOROND 200

Vitorond 200	VD2 125	VD2 160	VD2 195	VD2 230	VD2 270	
General Info	Price List Section: 7.1					
	Parts Catalog Section: 22					
	Series Name: VD2					
	Accurate as of: 07/01/2012					
Shipping Overview	Assembled Cast-Iron Block, undrilled burner plate					
	Price List	VD20324	VD20325	VD20326	VD20327	VD20328
	Shell	7247 985	7247 986	7247 987	7247 988	7247 989
	Jkt	7454 045	7170 144	7134 466	7134 467	7134 468
	Header	7134 463	7134 463	7134 463	7134 463	7134 463
	Burner Plate	7223 638	7223 658	7223 658	7223 658	7223 658
	Inst Fittings	7133 611	7133 611	7133 611	7133 611	7133 611
	Segmented Cast-Iron Sections, undrilled burner plate					
	Price List	VD27608	VD27609	VD27610	VD27611	VD27612
	Shell	7247 980	7247981	7247982	7247983	7247984
	Jkt	7454 045	7170 144	7134 466	7134 467	7134 468
	Header	7134 463	7134 463	7134 463	7134 463	7134 463
	Burner Plate	7223 638	7223 658	7223 658	7223 658	7223 658
	Inst Fittings	7133 611	7133 611	7133 611	7133 611	7133 611
	The burner plates listed above are undrilled. Please substitute in suitable burner plates below, depending on burner sold.					
Burner Plate Overview	Riello					
		F15/F20/G750/G900				
		7134 462	7134 462	7134 462		
					RL28/RS28/RS45	
				7134461	7134461	7134461
	Weishaupt	WL30/WG30			L1 / GL1	
		7223 638	7223 638	7223 638	7223 638	7223 638
				G1	G3	
				7223 638	7133 874	
	Weishaupt linkageless	WL20 / WG20 / WL30 / WG30			WL40 / WG40	
		7223 638	7223 638	7223 638	7223 638	7134 794

VITOROND 200

Vitorond 200	VD2 125	VD2 160	VD2 195	VD2 230
General Info	Price List Section: 7.1			
	Parts Catalog Section: 22			
	Series Name: VD2 (06/2004 - 6/2008)			
	Applies to serials nos. beginning with: 7134464... 7134465... 7134466... 7134467...			
	Accurate as of: 07/01/2012			

Parts List

Please refer to: Parts List
Pos. Description

Part Numbers / Price Categories

Pos.	Description	7223 817 ¹⁴	7223 817 ¹⁴	7223 817 ¹⁴	7223 817 ¹⁴
001	Door Hinge	7223 817 ¹⁴	7223 817 ¹⁴	7223 817 ¹⁴	7223 817 ¹⁴
002	Door Hinge, Stop	7223 818 ¹³	7223 818 ¹³	7223 818 ¹³	7223 818 ¹³
003	Tie Rod M12	7223 807 ⁶	7223 808 ⁶	7223 809 ⁶	7223 810 ⁶
004	Nippel	7825 444 ⁸	7825 444 ⁸	7825 444 ⁸	7825 444 ⁸
005	Mounting Bolts	7810 777 ⁵	7810 777 ⁵	7810 777 ⁵	7810 777 ⁵
006 ^{*1}	Rear Section (ASME)	7822 258 ⁵⁰	7822 258 ⁵⁰	7822 258 ⁵⁰	7822 258 ⁵⁰
007	Center Section (ASME)	7223 832 ⁵²	7223 832 ⁵²	7223 832 ⁵²	7223 832 ⁵²
008	Front Section (ASME)	7223 831 ⁴⁹	7223 831 ⁴⁹	7223 831 ⁴⁹	7223 831 ⁴⁹
009	Boiler Door	7223 820 ⁵⁰	7223 820 ⁵⁰	7223 820 ⁵⁰	7223 820 ⁵⁰
010	Insulation Mat, 344 x 344mm	7223 823 ¹⁰	7223 823 ¹⁰	7223 823 ¹⁰	7223 823 ¹⁰
011	Insulation Mat, 583 x 745mm	7223 822 ¹⁴	7223 822 ¹⁴	7223 822 ¹⁴	7223 822 ¹⁴
012 ^{*3} W	Comb. Chamber Door Refractory	7820 044 ³⁰	7820 044 ³⁰	7820 044 ³⁰	7820 044 ³⁰
013	Sealant Rope, 20x15 L=2500mm	7820 302 ¹³	7820 302 ¹³	7820 302 ¹³	7820 302 ¹³
014	4-Point Sensor Well	7812 522 ¹²	7812 522 ¹²	7812 522 ¹²	7812 522 ¹²
015 ^{*1}	Flue Gas Collector	7823 040 ³³	7823 040 ³³	7823 040 ³³	7823 040 ³³
016	Hose Nipple 1/4"	7816 212 ⁵	7816 212 ⁵	7816 212 ⁵	7816 212 ⁵
017	Plastic Hose, 800mm	7810 029 ⁴	7810 029 ⁴	7810 029 ⁴	7810 029 ⁴
018	Sight Glass c/w Gasket	7811 837 ⁵	7811 837 ⁵	7811 837 ⁵	7811 837 ⁵
019	Sight Glass Cover	7820 050 ⁸	7820 050 ⁸	7820 050 ⁸	7820 050 ⁸
020	Burner Plate (not drilled)	7223 638 ^{n.a.}	7223 658 ^{n.a.}	7223 658 ^{n.a.}	7223 658 ^{n.a.}
021	Plug, 2"	7815 631 ⁷	7815 631 ⁷	7815 631 ⁷	7815 631 ⁷
022	Cleaning Brush Handle	7810 048 ⁷	7810 048 ⁷	7810 048 ⁷	7810 048 ⁷
023	Turbulator Insert, W2z	7226 154 ¹¹	7226 154 ¹¹	7226 154 ¹¹	7226 154 ¹¹
024	Turbulator Insert, W3z	7226 153 ¹¹	7226 153 ¹¹	7226 153 ¹¹	7226 153 ¹¹
025 ^{*2}	Fiber Rope Seal incl. Dana Contact	Z000094 ^{Kit}	Z000094 ^{Kit}	Z000094 ^{Kit}	Z000094 ^{Kit}
026	Gasket 35 x 45 x 2mm	7814 728 ²	7814 728 ²	7814 728 ²	7814 728 ²
027	Fiber Rope Seal d=8mm l=1000mm	7820 803 ⁸	7820 803 ⁸	7820 803 ⁸	7820 803 ⁸
028	Extension Rod M10 355mm	7824 022 ¹⁰	7824 022 ¹⁰	7824 022 ¹⁰	7824 022 ¹⁰
029	Connection Pipe (Supply)	7812 156 ²³	7812 156 ²³	7812 156 ²³	7812 156 ²³
030	Connection Pipe (Return)	7812 157 ²⁴	7812 157 ²⁴	7812 157 ²⁴	7812 157 ²⁴
031	Stud Bolt M12x50	7810 776 ⁵	7810 776 ⁵	7810 776 ⁵	7810 776 ⁵
032	Insulation Blkt	7226 003 ⁷	7226 003 ⁷	7226 003 ⁷	7226 003 ⁷
033	Gasket, Supply/Return	7810 778 ⁶	7810 778 ⁶	7810 778 ⁶	7810 778 ⁶
034	Cleanout Cover	7819 174 ¹⁰	7819 174 ¹⁰	7819 174 ¹⁰	7819 174 ¹⁰
035	Sealant Rope	7820 299 ⁸	7820 299 ⁸	7820 299 ⁸	7820 299 ⁸
036 ^{*2}	Fiber Rope Seal 8 x 3000mm	7820 805 ¹⁰	7820 805 ¹⁰	7820 805 ¹⁰	7820 805 ¹⁰
037 ^{*1}	Access. Pack (Ret.Dist.)	7174 677 ¹⁷	7174 678 ²²	7174 679 ²²	7174 680 ²²
038	Leveling Foot (Each)	7819 544 ⁴	7819 544 ⁴	7819 544 ⁴	7819 544 ⁴
039	Side Rail	7223 812 ¹⁶	7223 813 ¹⁷	7223 814 ¹⁸	7223 815 ¹⁹
040	Front/Rear Base Panel	7223 826 ¹⁰	7223 826 ¹⁰	7223 826 ¹⁰	7223 826 ¹⁰
200	Cover Strip	7816 795 ¹³	7816 795 ¹³	7816 795 ¹³	7816 795 ¹³
201	Top Panel	7816 796 ¹⁹	7816 797 ¹⁹	7816 798 ²⁰	7816 799 ²⁰
202	Front Panel	7816 801 ²²	7816 801 ²²	7816 801 ²²	7816 801 ²²
					continued

VITOROND 200

Vitorond 200	VD2 125	VD2 160	VD2 195	VD2 230
General Info	Price List Section: 7.1			
	Parts Catalog Section: 22			
	Series Name: VD2 (06/2004 - 6/2008)			
	Applies to serials nos. beginning with: 7134464... 7134465... 7134466... 7134467...			
	Accurate as of: 07/01/2012			

Parts List

Please refer to: Parts List
Pos. Description

Part Numbers / Price Categories

Pos.	Description	7816 802 ²⁰	7816 803 ²¹	7816 804 ²²	7816 805 ²²
203	Side Panel (left)	7816 802 ²⁰	7816 803 ²¹	7816 804 ²²	7816 805 ²²
204	Side Panel (right)	7816 807 ²⁰	7816 808 ²¹	7816 809 ²²	7816 810 ²²
205	Insulation Blkt-Bottom	7816 812 ⁷	7816 813 ¹⁰	7816 814 ¹¹	7816 815 ¹¹
206	Insulation Blkt	7816 817 ¹⁸	7816 818 ¹⁹	7816 819 ¹⁹	7816 820 ²⁰
207	Front Left Cover	7816 822 ²¹	7816 822 ²¹	7816 822 ²¹	7816 822 ²¹
208	Front Right Cover	7816 823 ²¹	7816 823 ²¹	7816 823 ²¹	7816 823 ²¹
209	Back Panel-Left	7816 825 ¹⁹	7816 825 ¹⁹	7816 825 ¹⁹	7816 825 ¹⁹
210	Back Panel-Right	7816 826 ¹⁹	7816 826 ¹⁹	7816 826 ¹⁹	7816 826 ¹⁹
211	Insulation Blkt-Rear	7816 824 ¹²	7816 824 ¹²	7816 824 ¹²	7816 824 ¹²
212	Strain Relief (2-Channel)	7818 493 ⁴	7818 493 ⁴	7818 493 ⁴	7818 493 ⁴
213	Nameplate Vitorond 200	7819 437 ⁵	7819 437 ⁵	7819 437 ⁵	7819 437 ⁵
214	Cover, Edgemolding	7819 438 ⁴	7819 438 ⁴	7819 438 ⁴	7819 438 ⁴
215	Extension Bolt-Rear	7816 827 ⁵	7816 827 ⁵	7816 827 ⁵	7816 827 ⁵
300	Access. Pack	7223 636 ³⁸	7223 636 ³⁸	7223 636 ³⁸	7223 636 ³⁸
301 ^{*2}	Split Kit (all sections)	7223 702 ²⁶	7223 703 ²⁸	7223 704 ³¹	7223 705 ³²
302 ^{*2}	Split Kit (1 section)	Z000637 ^{Kit}	Z000637 ^{Kit}	Z000637 ^{Kit}	Z000637 ^{Kit}
303 ^{*2}	Glue, Dana Kontakt 150ml	7223 827 ⁸	7223 827 ⁸	7223 827 ⁸	7223 827 ⁸
304 ^{*3}	Adhesive, 100ml f Chamber Door Refr.	9544 898 ⁸	9544 898 ⁸	9544 898 ⁸	9544 898 ⁸
305	Access. Pack (Insulation)	7816 828 ¹²	7816 828 ¹²	7816 828 ¹²	7816 828 ¹²
306	Decorative Stripe	7819 535 ⁵	7819 535 ⁵	7819 535 ⁵	7819 535 ⁵
307	Touch-UP Spray Paint Vitotec SIL	7819 545 ⁹	7819 545 ⁹	7819 545 ⁹	7819 545 ⁹
308	Touch-UP Paint Stk Vitotec SIL	7819 546 ⁵	7819 546 ⁵	7819 546 ⁵	7819 546 ⁵
312 W	Cleaning Brush Head 25x40x100mm	7815 759 ⁸	7815 759 ⁸	7815 759 ⁸	7815 759 ⁸
313 W	Cleaning Brush Head 50x100x100mm	7815 760 ¹⁰	7815 760 ¹⁰	7815 760 ¹⁰	7815 760 ¹⁰
400	Installation Instructions	5285 663 ^L	5285 663 ^L	5285 663 ^L	5285 663 ^L
401	Start-Up/Service Instructions	5285 664 ^L	5285 664 ^L	5285 664 ^L	5285 664 ^L
402	Parts List	5285 665 ^L	5285 665 ^L	5285 665 ^L	5285 665 ^L
403	Install. Supp. Barometric Draft Regulator	5167 162 ^L	5167 162 ^L	5167 162 ^L	5167 162 ^L

VITOROND 200

Vitorond 200	VD2 125	VD2 160	VD2 195	VD2 230
General Info	Price List Section: 7.1			
	Parts Catalog Section: 22			
	Series Name: VD2 (06/2004 - 6/2008)			
	Applies to serials nos. beginning with: 7134464... 7134465... 7134466... 7134467...			
	Accurate as of: 07/01/2012			

Parts List

Please refer to: Parts List
Pos. Description

Part Numbers / Price Categories

Pos.	Description	7450 041 ²²	7450 041 ²²	7450 041 ²²	7450 041 ²²
404	Sensor #2 (Immersion)	7450 041 ²²	7450 041 ²²	7450 041 ²²	7450 041 ²²
405	Air Vent w Shut-off Base	9542 941 ⁸	9542 941 ⁸	9542 941 ⁸	9542 941 ⁸
406	Thermometer Bimetal C/F, 5" 0-250 Deg	9544 333 ²⁵	9544 333 ²⁵	9544 333 ²⁵	9544 333 ²⁵
407	Press. Gage, 0-160PSI 4" 100	9544 351 ¹⁹	9544 351 ¹⁹	9544 351 ¹⁹	9544 351 ¹⁹
408	Pr.Rel Valve, 3/4 x 1" 75PSI	9544 353 ¹⁸	9544 353 ¹⁸	9544 353 ¹⁸	9544 353 ¹⁸
409	Low Water Cutoff Model 550 w Man. Res	9544 357 ³³	9544 357 ³³	9544 357 ³³	9544 357 ³³
410	Welded Flange/Coupling	9560 595 ¹³	9560 595 ¹³	9560 595 ¹³	9560 595 ¹³

Notes:

- *1 IMPORTANT This replacement part is not backwards compatible with Rondomat 4000 RK4/RL4. Do **not** substitute.
- *2 IMPORTANT **Always** order Dana Contact 303 with fiber rope seal 025 and 036. Dana Contact is included with split kits 301 and 302.
- *3 IMPORTANT Always order adhesive 304 with combustion chamber door refractory 012.

"n.a." indicates not applicable.

"W" indicates wearing part (service).

"L" indicates literature (no charge).

"Kit" or "Other" indicates that this is not a Price Category item; contact Inside Sales for pricing.

Vitorond 200	VD2 270	
---------------------	----------------	--

General Info	Price List Section:	7.1	
	Parts Catalog Section:	22	
	Series Name:	VD2	(06/2004 - 6/2008)
	Applies to serials nos. beginning with:	7134468...	
	Accurate as of:	07/01/2012	

Parts List

Please refer to: Parts List
Pos. Description

Part Numbers / Price Categories

Pos.	Description	Part Numbers / Price Categories			
001	Door Hinge	7223 817	¹⁴		
002	Door Hinge, Stop	7223 818	¹³		
003	Tie Rod M12	7223 811	⁷		
004	Nippel	7825 444	⁸		
005	Mounting Bolts	7810 777	⁵		
006 ^{*1}	Rear Section (ASME)	7822 258	⁵⁰		
007	Center Section (ASME)	7223 832	⁵²		
008	Front Section (ASME)	7223 831	⁴⁹		
009	Boiler Door	7223 820	⁵⁰		
010	Insulation Mat, 344 x 344mm	7223 823	¹⁰		
011	Insulation Mat, 583 x 745mm	7223 822	¹⁴		
012 ^{*3} W	Comb. Chamber Door Refractory	7820 044	³⁰		
013	Sealant Rope, 20x15 L=2500mm	7820 302	¹³		
014	4-Point Sensor Well	7812 522	¹²		
015 ^{*1}	Flue Gas Collector	7823 040	³³		
016	Hose Nipple 1/4"	7816 212	⁵		
017	Plastic Hose, 800mm	7810 029	⁴		
018	Sight Glass c/w Gasket	7811 837	⁵		
019	Sight Glass Cover	7820 050	⁸		
020	Burner Plate (not drilled)	7223 658	^{n.a.}		
021	Plug, 2"	7815 631	⁷		
022	Cleaning Brush Handle	7810 048	⁷		
023	Turbulator Insert, W2z	n.a.	^{n.a.}		
024	Turbulator Insert, W3z	7226 153	¹¹		
025 ^{*2}	Fiber Rope Seal incl. Dana Contact	Z000094	^{Kit}		
026	Gasket 35 x 45 x 2mm	7814 728	²		
027	Fiber Rope Seal d=8mm l=1000mm	7820 803	⁸		
028	Extension Rod M10 355mm	7824 022	¹⁰		
029	Connection Pipe (Supply)	7812 156	²³		
030	Connection Pipe (Return)	7812 157	²⁴		
031	Stud Bolt M12x50	7810 776	⁵		
032	Insulation Blkt	7226 003	⁷		
033	Gasket, Supply/Return	7810 778	⁶		
034	Cleanout Cover	7819 174	¹⁰		
035	Sealant Rope	7820 299	⁸		
036 ^{*2}	Fiber Rope Seal 8 x 3000mm	7820 805	¹⁰		
037 ^{*1}	Access. Pack (Ret.Dist.)	7174 681	²²		
038	Leveling Foot (Each)	7819 544	⁴		
039	Side Rail	7223 816	¹⁹		
040	Front/Rear Base Panel	7223 826	¹⁰		
200	Cover Strip	7816 795	¹³		
201	Top Panel	7816 800	²⁰		
202	Front Panel	7816 801	²²		
					continued

Vitorond 200	VD2 270	
--------------	---------	--

General Info	Price List Section:	7.1	
	Parts Catalog Section:	22	
	Series Name:	VD2	(06/2004 - 6/2008)
	Applies to serials nos. beginning with:	7134468...	
	Accurate as of:	07/01/2012	

Parts List

Please refer to: Parts List
Pos. Description

Part Numbers / Price Categories

Pos.	Description	Part Numbers / Price Categories			
203	Side Panel (left)	7816 806 ²³			
204	Side Panel (right)	7816 811 ²³			
205	Insulation Blkt-Bottom	7816 816 ¹²			
206	Insulation Blkt	7816 821 ²¹			
207	Front Left Cover	7816 822 ²¹			
208	Front Right Cover	7816 823 ²¹			
209	Back Panel-Left	7816 825 ¹⁹			
210	Back Panel-Right	7816 826 ¹⁹			
211	Insulation Blkt-Rear	7816 824 ¹²			
212	Strain Relief (2-Channel)	7818 493 ⁴			
213	Nameplate Vitorond 200	7819 437 ⁵			
214	Cover, Edgemolding	7819 438 ⁴			
215	Extension Bolt-Rear	7816 827 ⁵			
300	Access. Pack	7223 636 ³⁸			
301 ^{*2}	Split Kit (all sections)	7223 706 ³⁵			
302 ^{*2}	Split Kit (1 section)	Z000637 ^{Kit}			
303 ^{*2}	Glue, Dana Kontakt 150ml	7223 827 ⁸			
304 ^{*3}	Adhesive, 100ml f Chamber Door Refr.	9544 898 ⁸			
305	Access. Pack (Insulation)	7816 828 ¹²			
306	Decorative Stripe	7819 535 ⁵			
307	Touch-UP Spray Paint Vitotec SIL	7819 545 ⁹			
308	Touch-UP Paint Stk Vitotec SIL	7819 546 ⁵			
312 W	Cleaning Brush Head 25x40x100mm	7815 759 ⁸			
313 W	Cleaning Brush Head 50x100x100mm	7815 760 ¹⁰			
400	Installation Instructions	5285 663 ^L			
401	Start-Up/Service Instructions	5285 664 ^L			
402	Parts List	5285 665 ^L			
403	Install. Supp. Barometric Draft Regulator	5167 162 ^L			

Vitorond 200	VD2 270	
---------------------	----------------	--

General Info	Price List Section:	7.1	
	Parts Catalog Section:	22	
	Series Name:	VD2	(06/2004 - 6/2008)
	Applies to serials nos. beginning with:	7134468...	
	Accurate as of:	07/01/2012	

Parts List

Please refer to: Parts List
 Pos. Description

Part Numbers / Price Categories

404	Sensor #2 (Immersion)	7450 041 ²²			
405	Air Vent w Shut-off Base	9542 941 ⁸			
406	Thermometer Bimetal C/F, 5" 0-250 Deg	9544 333 ²⁵			
407	Press. Gage, 0-160PSI 4" 100	9544 351 ¹⁹			
408	Pr.Rel Valve, 3/4 x 1" 75PSI	9544 353 ¹⁸			
409	Low Water Cutoff Model 550 w Man. Res	9544 357 ³³			
410	Welded Flange/Coupling	9560 595 ¹³			

Notes:

- *1 IMPORTANT This replacement part is not backwards compatible with Rondomat 4000 RK4/RL4. Do **not** substitute.
 - *2 IMPORTANT **Always** order Dana Contact 303 with fiber rope seal 025 and 036. Dana Contact is included with split kits 301 and 302.
 - *3 IMPORTANT Always order adhesive 304 with combustion chamber door refractory 012.
- "n.a." indicates not applicable.
 "W" indicates wearing part (service).
 "L" indicates literature (no charge).
 "Kit" or "Other" indicates that this is not a Price Category item; c

VITOROND 200 VD2 Series

Model No.	Serial No. *1
VD2-125	7134464□□□□□□□□□□
VD2-160	7134465□□□□□□□□□□
VD2-195	7134466□□□□□□□□□□
VD2-230	7134467□□□□□□□□□□
VD2-270	7134468□□□□□□□□□□

Ordering Replacement Parts:

Please provide boiler Model and Serial Number from rating plate when ordering replacement parts. Order replacement components from your Viessmann distributor.

Parts

- 200 Cover strip
- 201 Top panel
- 202 Front panel
- 203 Left side panel
- 204 Right side panel
- 205 Insulation blanket, bottom
- 206 Insulation blanket
- 207 Front left cover
- 208 Front right cover
- 209 Left back panel
- 210 Right back panel
- 211 Insulation blanket, rear
- 212 Strain relief (2-channel)
- 213 Nameplate Vitorond 200
- 214 Cover, edgemolding
- 215 Extension bolt, rear

Other Parts (not illustrated)

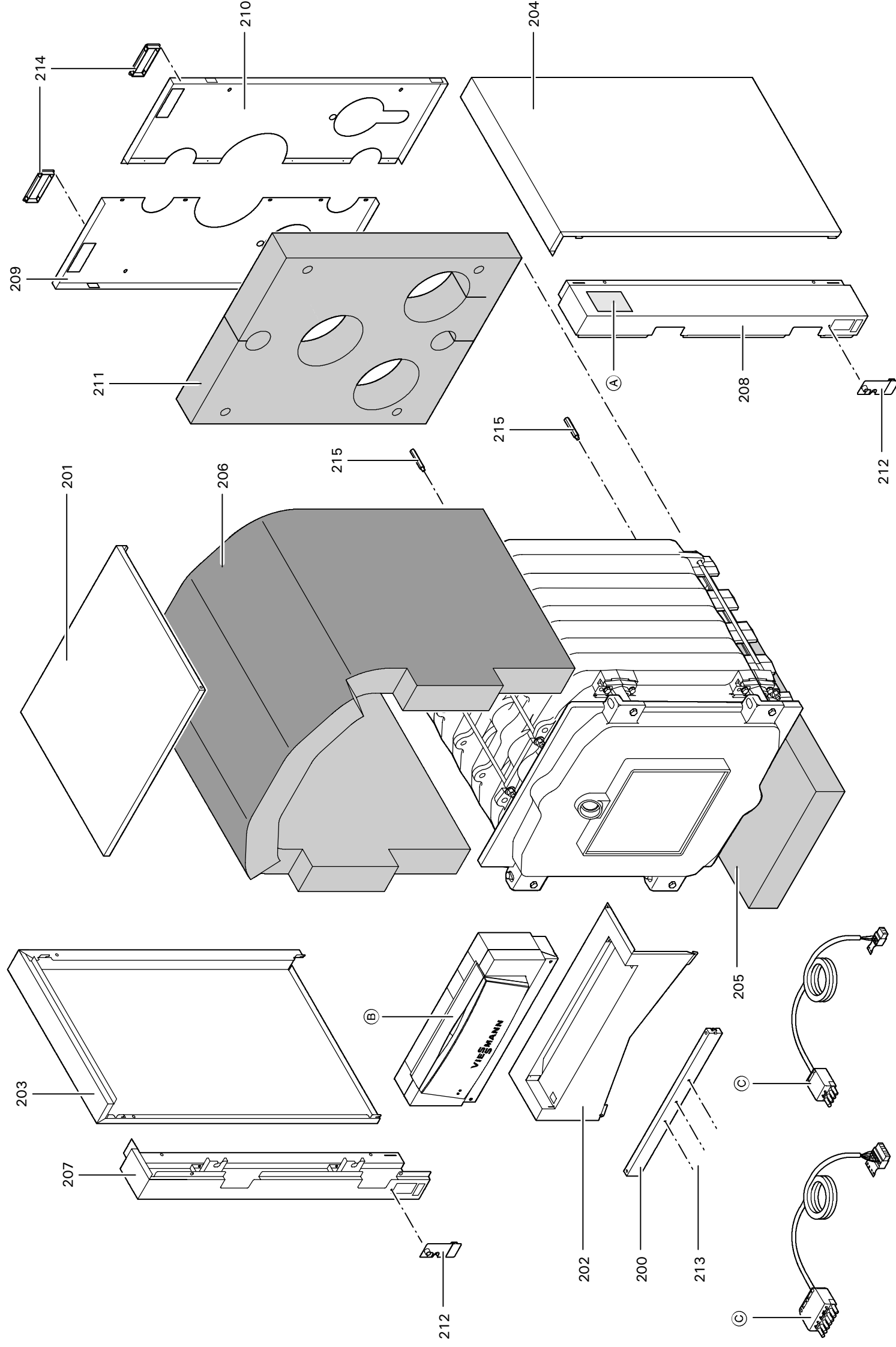
- 302 Split kit (1 section)
- 303 Dana contact glue, for fiber rope seal
- 304 Adhesive, for refractory
- 305 Access. pack (insulation)
- 306 Decorative stripe
- 307 Touch-up spray paint, Silver
- 308 Touch-up paint stick, Silver
- 400 Installation Instructions
- 401 Start-Up/Service Instructions
- 402 Parts List

Ⓐ Rating plate

Ⓑ Boiler control (see Parts List of control unit)

Ⓒ Burner cable (see Parts List of control unit)

*1 A 16-digit bar-coded serial no. is printed on the Viessmann rating plate Ⓐ.



Boiler control may not be exactly as illustrated.

Vitorond 200 VD2 Series

Parts

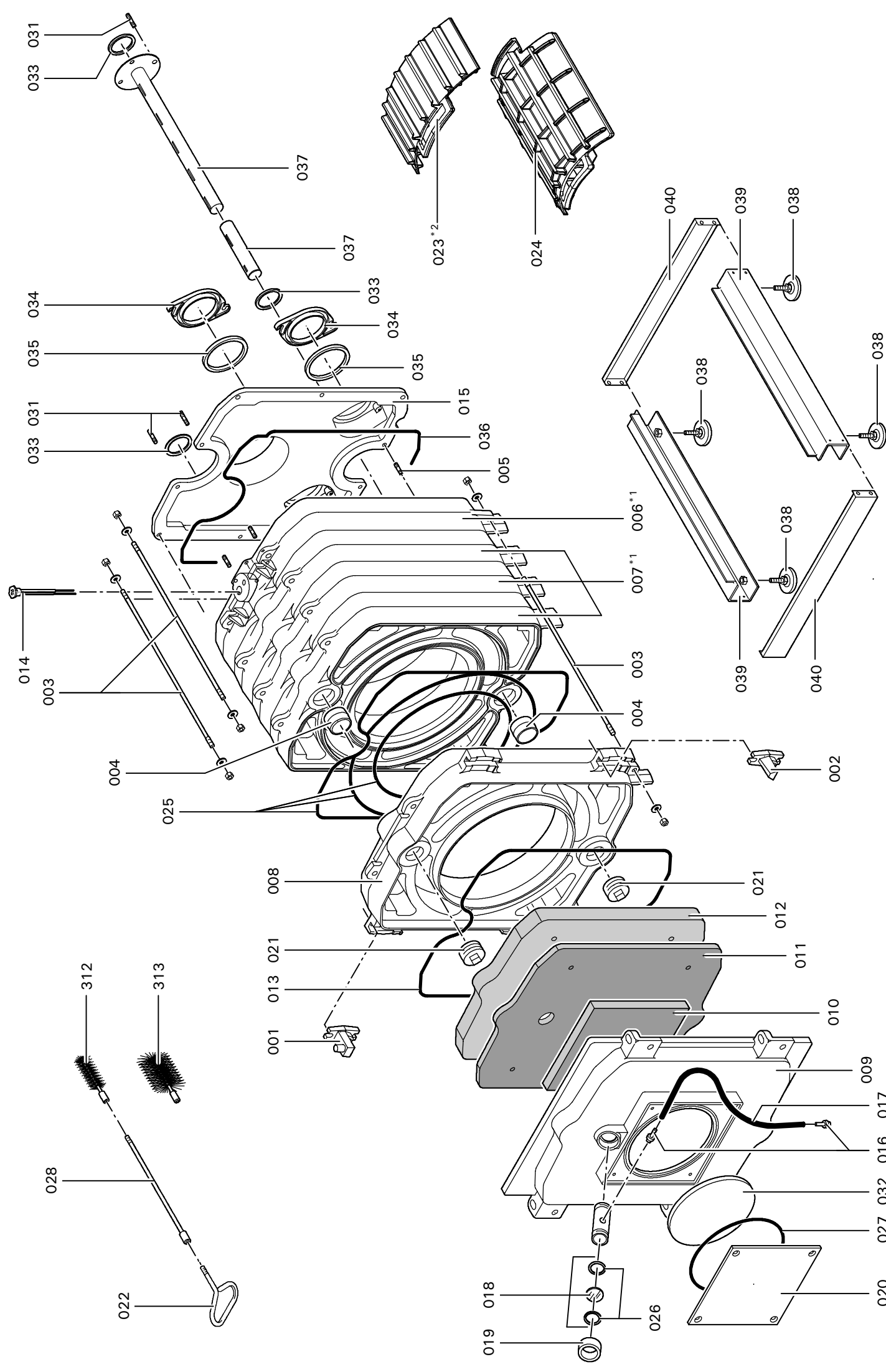
- 001 Door hinge
- 002 Door hinge, stop
- 003 Tie rod M12
- 004 Nipple
- 005 Mounting bolts
- 006 Rear section (ASME)
- 007 Center section (ASME)
- 008 Front section (ASME)
- 009 Boiler door
- 010 Insulation mat, 344 x 344mm
- 011 Insulation mat, 583 x 745mm
- 013 Sealant rope, 20x15 l=2500mm
- 014 4-Point sensor well
- 015 Flue gas collector
- 016 Hose nipple 1/4"
- 017 Plastic hose, 800mm
- 018 Sight glass c/w gasket
- 019 Sight glass cover
- 020 Burner plate
- 021 Plug, 2"
- 022 Cleaning brush handle
- 023 Turbulator insert, 2nd pass
- 024 Turbulator insert, 3rd pass
- 025 Fiber rope seal
- 026 Gasket 35 x 45 x 2mm
- 027 Fiber rope seal d = 8mm l = 1000mm
- 028 Extension rod M10 355mm
- 031 Stud bolt
- 032 Insulation blanket
- 033 Gasket for supply/return
- 034 Cleanout cover
- 035 Sealant rope
- 036 Fiber rope seal 8 x 3000mm
- 037 Return distribution tubes
- 038 Leveling foot
- 039 Side rail
- 040 Front/rear base rail

Wear Parts

- 012 Combustion chamber door refractory
- 312 Cleaning brush head 25x40x100mm
- 313 Cleaning brush head 50x100x100mm

*1 For each section being replaced, order 1 x item 302.

*2 Does not apply to VD2-270.



Rondomat		RMT 125	RMT 160	RMT 195	RMT 230	RMT 270		
General Info		Price List / Product Cat. Section: 7.1						
		Series Name: Rondomat					(6/1996 - 6/2004)	
		Accurate as of: 07/01/2012						
Shipping Overview		Assembled Cast-Iron Block, small Burner Plate						
Level 0	Price List	RK41250	RK41600	RK41950	RK42300	RK42700		
Level 1	Shell	7223 754	7223 755	7223 756	7223 757	7223 758		
	Jkt	7133 604	7133 605	7133 606	7133 607	7133 608		
	Header	7133 613	7133 613	7133 613	7133 613	7133 613		
	sm BrnrPI	7133 609	7133 609	7133 609	7133 609	7133 610		
	Inst Fittings	7133 611	7133 611	7133 611	7133 611	7133 611		
		Assembled Cast-Iron Block, large Burner Plate						
Level 0	Price List				RK42301	RK42701		
Level 1	Shell				7223 757	7223 758		
	Jkt				7133 607	7133 608		
	Header				7133 613	7133 613		
	Ig BrnrPI				7133 610	7133 874		
	Inst Fittings				7133 611	7133 611		
		Unassembled Cast-Iron Block, small Burner Plate						
Level 0	Price List	RL41250	RL41600	RL41950	RL42300	RL42700		
Level 1	Shell	7223 749	7223 750	7223 751	7223 752	7223 753		
	Jkt	7133 604	7133 605	7133 606	7133 607	7133 608		
	Header	7133 613	7133 613	7133 613	7133 613	7133 613		
	sm BrnrPI	7133 609	7133 609	7133 609	7133 609	7133 610		
	Inst Fittings	7133 611	7133 611	7133 611	7133 611	7133 611		
		Unassembled Cast-Iron Block, large Burner Plate						
Level 0	Price List				RL42301	RL42701		
Level 1	Shell				7223 752	7223 753		
	Jkt				7133 607	7133 608		
	Header				7133 613	7133 613		
	Ig BrnrPI				7133 610	7133 874		
	Inst Fittings				7133 611	7133 611		

continued

Rondomat		RMT 125	RMT 160	RMT 195	RMT 230	RMT 270
General Info		Price List / Product Cat. Section: 7.1				
		Series Name: Rondomat (6/1996 - 6/2004)				
		Accurate as of: 07/01/2012				
Shipping Overview		30% Boiler Flow Package, 120/1/60				
Level 0	Price List	Z001189	Z001232	Z001233	Z001234	
Level 1	Pump	9544 465	9544 426	9544 426	9544 423	
	Flange	9544 425	9544 424	9544 424	9544 424	
	Ball Valve	9544348 x 2	9544349 x 2	9544349 x 2	9544349 x 2	
	FCV	9544 487	9544 359	9544 359	9544 359	
	Dual Aq	9544 340	9544 340	9544 340	9544 340	
		100% Boiler Flow Package, 120/1/60				
Level 0	Price List	Z001243	Z001244	Z001245	Z001246	Z001247
Level 1	Pump	9544 488	9544 455	9560 251	9560 251	9544 498
	Flange	9544 425	9544 464	9544 464	9544 464	9544 461
	Valve	9544 476	9544 471	9544 471	9544 468	9544 468
	Flange	9544 490	9544 475	9544 475	9544 481	9544 481
	Actuator	9544 483	9544 483	9544 483	9544 483	9544 483
		100% Boiler Flow Package, 208/3/60				
Level 0	Price List	Z001248	Z001249	Z001250	Z001251	Z001252
Level 1	Pump	9560 240	9544 497	9555 111	9555 111	9543 792
	Flange	9544 425	9544 464	9544 464	9544 464	9544 461
	Valve	9544 476	9544 471	9544 471	9544 468	9544 468
	Flange	9544 490	9544 475	9544 475	9544 481	9544 481
	Actuator	9544 483	9544 483	9544 483	9544 483	9544 483

VITOROND 200

Vitorond 200	VD2-320	VD2-380	VD2-440	VD2-500	VD2-560	VD2-630	VD2-700	VD2-780	
General Info	Price List / Product Cat. Section: 7.3 Current Series VD2 (07/2003 -) Accurate as of: 07/01/2012								
Shipping Overview	Unassembled Cast-Iron Block								
Level 0 Price List	VD27336	VD27338	VD27340	VD27342	VD27344	VD27346	VD27348	VD27350	
Level 1 Fr/Rr Sec	7167 967	7167 967	7167 967	7167 967	7167 967	7167 967	7167 967	7167 967	
BrrnrPl	7223 707	7223 707	7223 707	7223 707	7223 707	7223 707	7223 707	7223 707	
3 Ctr	7142 052	-	-	-	7142052 x 2	7142 052	-	-	
4 Ctr	7142 053	7142053 x 2	7142 053	-	-	7142 053	7142053 x 2	7142 053	
5 Ctr	-	-	7142 054	7142054 x 2	7142 054	7142 054	7142 054	7142054 x 2	
Jkt 1	7134 280	7134 281	7134 282	7134 283	7134 284	7134 285	7134 286	7134 287	
Jkt 2	7144 315	7144 318	7144 320	7144 322	7144 324	7144 326	7144 328	7144 330	
Jkt 3	7134 291	7134 291	7134 291	7134 291	7134 291	7134 291	7134 291	7134 291	
Header	7133 637	7133 637	7133 637	7133 637	7133 637	7133 637	7133 637	7133 637	
Inst Fittings	7133 636	7133 636	7133 636	7133 636	7133 636	7133 636	7133 636	7133 636	
AccessPk	7174 594	7174 595	7174 596	7174 597	7174 598	7174 599	7174 600	7174 601	
	The burner plates listed above are undrilled. Please substitute in suitable burner plates below, depending on burner sold.								
Burner Plate Overview									
Riello	Size 28/38/45/50								
	7134 460	7134 460	7134 460	7134 460	7134 460				
	Size 70/100								
					7134 459	7134 459	7134 459	7134 459	
	Size 68/120								
			7134 458	7134 458	7134 458	7134 458	7134 458		
Weishaupt	L1	L3 / RL3			L5 / RL5				
	7133 619	7133 614	7133 614	7133 614	7133 614	7133 616	7133 616	7133 616	
	G3 / GL3 / RGL3			G5 / GL5 / RGL5			G7 / GL7 / RGL7		
	7133 614	7133 614	7133 614	7133 615	7133 615	7133 615	7133 618	7133 618	
Weishaupt linkageless	WL40 / WG40			WM-L10/3, WM-L10/4					
	7266 686	7266 686	7266 686	7133 616	7133 616	7133 616	7133 616	7133 616	
	RL5								
							7133 616	7133 616	
					WM-G10/3		WM-G10/4		
					7133 615	7133 615	7133 615	7266 696 7266 696	
	WM-G10/1 / WM-G10/2							GL5 / RGL5 GL7 / RGL7	
	7133 614	7133 614	7133 614	7133 614			7133 615	7133 615 7133 618	

continued

VITOROND 200

Vitorond 200	VD2-860	VD2-950	VD2-1080	
General Info	Price List / Product Cat. Section: 7.3			
	Current Series		VD2	(07/2003 -)
	Accurate as of:		07/01/2012	
Shipping Overview	Unassembled Cast-Iron Block			
Level 0 Price List	VD27352	VD27354	VD27356	
Level 1 Fr/Rr Sec	7167 967	7167 967	7167 967	
BrrrPl	7223 707	7223 707	7223 707	
3 Ctr	-	-	-	
4 Ctr	-	7142053 x 4	7142053 x 3	
5 Ctr	7142054 x 3		7142 054	
Jkt 1	7134 288	7134 289	7134 290	
Jkt 2	7144 332	7167 992	7167 994	
Jkt 3	7134 291	7134 291	7134 292	
Header	7133 637	7133 637	7133 637	
Inst Fittings	7133 636	7133 636	7133 636	
AccessPk	7174 602	7174 603	7174 604	
	The burner plates listed above are undrilled. Please substitute in suitable burner plates below, depending on burner sold.			
Burner Plate Overview				
Riello				
	Size 70/100			
	7134 459	7134 459	7134 459	
	Size 68/120			
	7134 458	7134 458	7134 458	
Weishaupt	L7 / RL7			
	7133 615	7133 615	7133 615	
	G7 / GL7 / RGL7			
	7133 618	7133 618	7133 618	
Weishaupt linkageless	L7			
	7133 615	7133 615	7133 615	
	RL5		RL7	
	7133 616	7133 615	7133 615	
	WM-G10/4	G7 / WM-G20/2		
	7266 696	7133 618	7133 618	
	GL7 / RGL7			
	7133 618	7133 618	7133 618	

VITOROND 200

Vitorond 200	VD2 320	VD2 380	VD2 440	VD2 500
General Info	Price List Section: 7.3			
	Parts Catalog Section: 23		(07/2003 -)	
	Series Name: VD2			
	Applies to serials nos. beginning with:	7134280...	7134281...	7134282... 7134283...
	Accurate as of:	03/21/2012		

Parts List

Please refer to: Parts List
Pos. Description

Part Numbers / Price Categories

Pos.	Description	7223 837 ¹⁹	7223 837 ¹⁹	7223 837 ¹⁹	7223 837 ¹⁹
001	Door Hinge	7223 837 ¹⁹	7223 837 ¹⁹	7223 837 ¹⁹	7223 837 ¹⁹
002	Tie Rod, 480mm / 19"	7305 136 ⁷	7305 136 ⁷	7305 136 ⁷	7305 136 ⁷
003	Tie Rod, 610mm / 24"	n.a. ^{n.a.}	n.a. ^{n.a.}	7305 137 ⁷	7305 137 ⁷
004	Push Nipple	7822 339 ⁸	7822 339 ⁸	7822 339 ⁸	7822 339 ⁸
005	Fiber Rope Seal	Z000454 ^{Kit}	Z000454 ^{Kit}	Z000454 ^{Kit}	Z000454 ^{Kit}
006	Door Hinge, Stop	7223 838 ¹⁹	7223 838 ¹⁹	7223 838 ¹⁹	7223 838 ¹⁹
007	Mid Section (ASME)	7223 835 ⁷³	7223 835 ⁷³	7223 835 ⁷³	7223 835 ⁷³
008	Front Section (ASME)	7223 834 ⁷¹	7223 834 ⁷¹	7223 834 ⁷¹	7223 834 ⁷¹
009	Comb. Chamber Door	7223 839 ⁷⁶	7223 839 ⁷⁶	7223 839 ⁷⁶	7223 839 ⁷⁶
010	Insulation Blkt 467x467mm	7223 841 ¹⁴	7223 841 ¹⁴	7223 841 ¹⁴	7223 841 ¹⁴
011	Insulation Blkt (3 part) 868x968mm	7820 045 ¹³	7820 045 ¹³	7820 045 ¹³	7820 045 ¹³
012 W	Comb. Chamber Door Insulation Block	7819 136 ²⁸	7819 136 ²⁸	7819 136 ²⁸	7819 136 ²⁸
013	Fiber Rope Seal 16x16mm l=3600mm	7820 809 ²³	7820 809 ²³	7820 809 ²³	7820 809 ²³
014	Hose Nipple 1/4"	7816 212 ⁵	7816 212 ⁵	7816 212 ⁵	7816 212 ⁵
015	Plastic Hose, 800mm	7810 029 ⁴	7810 029 ⁴	7810 029 ⁴	7810 029 ⁴
016	Sight Glass (Glass w Gasket)	7811 837 ⁵	7811 837 ⁵	7811 837 ⁵	7811 837 ⁵
017	Sight Glass Cover	7820 050 ⁸	7820 050 ⁸	7820 050 ⁸	7820 050 ⁸
018	Burner Plate	n.a. ^{n.a.}	n.a. ^{n.a.}	n.a. ^{n.a.}	n.a. ^{n.a.}
019	Turbulator Insert	7822 328 ¹³	7822 328 ¹³	7822 328 ¹³	7822 328 ¹³
020	Gasket 35 x 45 x 2mm	7814 728 ²	7814 728 ²	7814 728 ²	7814 728 ²
021	Gasket d=8mm l=2000mm	7820 804 ⁹	7820 804 ⁹	7820 804 ⁹	7820 804 ⁹
022	Plug, 2"	7815 631 ⁷	7815 631 ⁷	7815 631 ⁷	7815 631 ⁷
023	Insulation Blkt d=408mm	7226 004 ⁸	7226 004 ⁸	7226 004 ⁸	7226 004 ⁸
024	Fiber Rope Seal d=10mm l=3600mm	7820 807 ¹⁴	7820 807 ¹⁴	7820 807 ¹⁴	7820 807 ¹⁴
025	Rear Section (ASME)	7223 836 ⁷⁷	7223 836 ⁷⁷	7223 836 ⁷⁷	7223 836 ⁷⁷
026 *1 W	Refractory Insert	7226 047 ²⁸	7226 047 ²⁸	7226 047 ²⁸	7226 047 ²⁸
027	Clean-out Cover	7223 842 ¹⁴	7223 842 ¹⁴	7223 842 ¹⁴	7223 842 ¹⁴
028	4-Point Sensor Well	7812 522 ¹²	7812 522 ¹²	7812 522 ¹²	7812 522 ¹²
031	Flue Outlet	7223 867 ⁴⁷	7223 867 ⁴⁷	7223 867 ⁴⁷	7223 867 ⁴⁷
032 *1	Blind Plate	7223 868 ²⁶	7223 868 ²⁶	7223 868 ²⁶	7223 868 ²⁶
033	Cleaning Brush Handle	7810 048 ⁷	7810 048 ⁷	7810 048 ⁷	7810 048 ⁷
034	Extension Rod M10 355mm	n.a. ^{n.a.}	7824 022 ¹⁰	7824 022 ¹⁰	7824 022 ¹⁰
035	Extension Rod M10 1000mm	n.a. ^{n.a.}	n.a. ^{n.a.}	n.a. ^{n.a.}	7006 679 ⁷
036	Extension Rod M10 1100mm	7811 495 ⁷	n.a. ^{n.a.}	7811 495 ⁷	n.a. ^{n.a.}
037	Flange, Wtr.Dist.Pipe	7223 850 ²³	7223 850 ²³	7223 850 ²³	7223 850 ²³
038	Wtr.Dist.Pipe, Triple Elem.	n.a. ^{n.a.}	7223 847 ²¹	n.a. ^{n.a.}	7223 847 ²¹
039	Wtr.Dist.Pipe, Quad. Elem.	n.a. ^{n.a.}	n.a. ^{n.a.}	7223 848 ²²	n.a. ^{n.a.}
040	Wtr.Dist.Pipe, Dbl End Elem.	n.a. ^{n.a.}	7223 846 ²¹	7223 846 ²¹	n.a. ^{n.a.}
041	Wtr.Dist.Pipe, Quad. Endelem.	7223 849 ²³	n.a. ^{n.a.}	n.a. ^{n.a.}	7223 849 ²³
042	Fiber Rope Seal d=8mm l=1000mm	7820 803 ⁸	7820 803 ⁸	7820 803 ⁸	7820 803 ⁸
043	Fiber Rope Seal d=8mm l=4000mm	7820 806 ¹¹	7820 806 ¹¹	7820 806 ¹¹	7820 806 ¹¹
044	Support Bracket	7820 049 ¹²	7820 049 ¹²	7820 049 ¹²	7820 049 ¹²
045	Gasket DN100	7819 731 ⁷	7819 731 ⁷	7819 731 ⁷	7819 731 ⁷
200	Front Panel	7816 829 ²¹	7816 829 ²¹	7816 829 ²¹	7816 829 ²¹
					continued

VITOROND 200

Vitorond 200	VD2 320	VD2 380	VD2 440	VD2 500
General Info	Price List Section: 7.3			
	Parts Catalog Section: 23		(07/2003 -)	
	Series Name: VD2			
	Applies to serials nos. beginning with:	7134280...	7134281...	7134282... 7134283...
	Accurate as of:	03/21/2012		

Parts List

Please refer to: Parts List
Pos. Description

Part Numbers / Price Categories

Pos.	Description	7816 830 ¹⁰	7816 830 ¹⁰	7816 830 ¹⁰	7816 830 ¹⁰
201	Bracket	7816 830 ¹⁰	7816 830 ¹⁰	7816 830 ¹⁰	7816 830 ¹⁰
202	Cover Strip	7816 795 ¹³	7816 795 ¹³	7816 795 ¹³	7816 795 ¹³
203	Front Left Cover	7816 831 ²²	7816 831 ²²	7816 831 ²²	7816 831 ²²
204	Front Right Cover	7816 832 ²²	7816 832 ²²	7816 832 ²²	7816 832 ²²
205	Rear Mounting Brkt	7816 833 ¹⁴	7816 833 ¹⁴	7816 833 ¹⁴	7816 833 ¹⁴
206	Back Panel-Right	7816 834 ²³	7816 834 ²³	7816 834 ²³	7816 834 ²³
207	Back Panel-Left	7816 835 ²³	7816 835 ²³	7816 835 ²³	7816 835 ²³
208	Top Panel-Front	7816 836 ²⁰	7816 836 ²⁰	7816 836 ²⁰	7816 837 ¹⁹
209	Top Panel-Middle	n.a. ^{n.a.}	n.a. ^{n.a.}	n.a. ^{n.a.}	7816 838 ²⁰
210	Top Panel-Rear	7816 841 ¹⁹	7816 842 ²⁰	7816 843 ²¹	7816 841 ¹⁹
211	Connecting Panel	7816 844 ¹³	7816 844 ¹³	7816 844 ¹³	7816 844 ¹³
212	Spacer	7816 845 ⁹	7816 845 ⁹	7816 845 ⁹	7816 845 ⁹
213	Side Panel 502mm	7816 846 ²¹	n.a. ^{n.a.}	n.a. ^{n.a.}	7816 846 ²¹
214	Side Panel 628mm	7816 847 ²²	7816 847 ²²	7816 847 ²²	n.a. ^{n.a.}
215	Side Panel 755mm	n.a. ^{n.a.}	n.a. ^{n.a.}	7816 848 ²³	n.a. ^{n.a.}
216	Tie-Bar	5335 762 ¹⁵	5335 762 ¹⁵	5335 762 ¹⁵	5335 762 ¹⁵
217	Insulation Blkt I	7816 850 ²²	7816 850 ²²	7816 850 ²²	n.a. ^{n.a.}
218	Insulation Blkt I	n.a. ^{n.a.}	n.a. ^{n.a.}	n.a. ^{n.a.}	7816 851 ²²
219	Insulation Blkt II w = 466mm	7816 852 ¹⁶	n.a. ^{n.a.}	n.a. ^{n.a.}	7816 852 ¹⁶
220	Insulation Blkt II w = 612mm	n.a. ^{n.a.}	7816 853 ¹⁷	n.a. ^{n.a.}	n.a. ^{n.a.}
221	Insulation Blkt II w = 706mm	n.a. ^{n.a.}	n.a. ^{n.a.}	7816 854 ²⁰	n.a. ^{n.a.}
222	Insulation Blkt-Rear	7816 855 ¹³	7816 855 ¹³	7816 855 ¹³	7816 855 ¹³
223	Insulation Blkt-Bottom	7816 856 ¹⁰	7816 857 ¹⁰	7816 858 ¹¹	7816 859 ¹¹
224	Strain Relief (2-Channel)	7818 493 ⁴	7818 493 ⁴	7818 493 ⁴	7818 493 ⁴
225	Nameplate "Vitorond 200"	7819 437 ⁵	7819 437 ⁵	7819 437 ⁵	7819 437 ⁵
226	Cover, Edgemolding	7819 438 ⁴	7819 438 ⁴	7819 438 ⁴	7819 438 ⁴
300	Access. Pack (Insulation)	7816 865 ¹²	7816 865 ¹²	7816 865 ¹²	7816 865 ¹²
301	Decorative Stripe (1 Roll, 33f / 10m)	7819 535 ⁵	7819 535 ⁵	7819 535 ⁵	7819 535 ⁵
302	Touch-UP Spray Paint, Vitosilver	7819 545 ⁹	7819 545 ⁹	7819 545 ⁹	7819 545 ⁹
303	Touch-UP Paint Stick, Vitosilver	7819 546 ⁵	7819 546 ⁵	7819 546 ⁵	7819 546 ⁵
304	Glue, Dana Kontakt 150ml	7223 827 ⁸	7223 827 ⁸	7223 827 ⁸	7223 827 ⁸
306	Split Kit	Z000681 ^{Kit}	Z000681 ^{Kit}	Z000681 ^{Kit}	Z000681 ^{Kit}
307	Install. Instructions	5285 429 ^L	5285 429 ^L	5285 429 ^L	5285 429 ^L
308	Start-Up/Instal. Instr.	5285 431 ^L	5285 431 ^L	5285 431 ^L	5285 431 ^L
309	Parts List	5285 433 ^L	5285 433 ^L	5285 433 ^L	5285 433 ^L
310 W	Cleaning Brush Head, M10	7223 866 ⁸	7223 866 ⁸	7223 866 ⁸	7223 866 ⁸
					continued

VITOROND 200

Vitorond 200	VD2 320	VD2 380	VD2 440	VD2 500
General Info	Price List Section:	7.3		
	Parts Catalog Section:	23	(07/2003 -)	
	Series Name:	VD2		
	Applies to serials nos. beginning with:	7134280...	7134281...	7134282... 7134283...
	Accurate as of:	03/21/2012		

Parts List

Please refer to: Parts List
Pos. Description

Part Numbers / Price Categories

311	Oper. Instr./User's Info	5285 432 ^L	5285 432 ^L	5285 432 ^L	5285 432 ^L
400	Install. Supp. Barometric Draft Regul.	5167 162 ^L	5167 162 ^L	5167 162 ^L	5167 162 ^L
401	Sensor #2 (Immersion)	7450 041 ²²	7450 041 ²²	7450 041 ²²	7450 041 ²²
402	Air Vent w Shut-off Base	9542 941 ⁸	9542 941 ⁸	9542 941 ⁸	9542 941 ⁸
403	Thermometer Bimetal C/F, 5" 0-250 Deg.F	9544 333 ²⁵	9544 333 ²⁵	9544 333 ²⁵	9544 333 ²⁵
404	Press. Gage, 0-160PSI 4" 100	9544 351 ¹⁹	9544 351 ¹⁹	9544 351 ¹⁹	9544 351 ¹⁹
405	Low Water Cutoff Model 550 w Man. Reset	9544 357 ³³	9544 357 ³³	9544 357 ³³	9544 357 ³³
406	Hex Bolt, M16 x 130mm (f Comb. Ch. Door)	9560 437 ^D	9560 437 ^D	9560 437 ^D	9560 437 ^D

Notes:

*1 WARNING: **Not** compatible with Rondomat RL or RK boiler series! Order pos. 026 and 032 together.

"n.a." indicates not applicable.

"W" indicates wearing part (service).

"L" indicates literature (no charge).

"Kit" or "Other" indicates that this is not a Price Category item; contact Inside Sales for pricing.

VITOROND 200

Vitorond 200	VD2 560	VD2 630	VD2 700	VD2 780
General Info	Price List Section: 7.3			
	Parts Catalog Section: VD2		(07/2003 -)	
	Series Name:			
	Applies to serials nos. beginning with:	7134284...	7134285...	7134286... 7134287...
	Accurate as of:	07/01/2012		

Parts List

Please refer to: Parts List
Pos. Description

Part Numbers / Price Categories

Pos.	Description	7223 837 ¹⁹	7223 837 ¹⁹	7223 837 ¹⁹	7223 837 ¹⁹
001	Door Hinge	7223 837 ¹⁹	7223 837 ¹⁹	7223 837 ¹⁹	7223 837 ¹⁹
002	Tie Rod, 480mm / 19"	7305 136 ⁷	7305 136 ⁷	7305 136 ⁷	7305 136 ⁷
003	Tie Rod, 610mm / 24"	n.a. ^{n.a.}	7305 137 ⁷	7305 137 ⁷	7305 137 ⁷
004	Push Nipple	7822 339 ⁸	7822 339 ⁸	7822 339 ⁸	7822 339 ⁸
005	Fiber Rope Seal	Z000454 ^{Kit}	Z000454 ^{Kit}	Z000454 ^{Kit}	Z000454 ^{Kit}
006	Door Hinge, Stop	7223 838 ¹⁹	7223 838 ¹⁹	7223 838 ¹⁹	7223 838 ¹⁹
007	Mid Section (ASME)	7223 835 ⁷³	7223 835 ⁷³	7223 835 ⁷³	7223 835 ⁷³
008	Front Section (ASME)	7223 834 ⁷¹	7223 834 ⁷¹	7223 834 ⁷¹	7223 834 ⁷¹
009	Comb. Chamber Door	7223 839 ⁷⁶	7223 839 ⁷⁶	7223 839 ⁷⁶	7223 839 ⁷⁶
010	Insulation Blkt 467x467mm	7223 841 ¹⁴	7223 841 ¹⁴	7223 841 ¹⁴	7223 841 ¹⁴
011	Insulation Blkt (3 part) 868x968mm	7820 045 ¹³	7820 045 ¹³	7820 045 ¹³	7820 045 ¹³
012 W	Comb. Chamber Door Insulation Block	7819 136 ²⁸	7819 136 ²⁸	7819 136 ²⁸	7819 136 ²⁸
013	Fiber Rope Seal 16x16mm l=3600mm	7820 809 ²³	7820 809 ²³	7820 809 ²³	7820 809 ²³
014	Hose Nipple 1/4"	7816 212 ⁵	7816 212 ⁵	7816 212 ⁵	7816 212 ⁵
015	Plastic Hose, 800mm	7810 029 ⁴	7810 029 ⁴	7810 029 ⁴	7810 029 ⁴
016	Sight Glass (Glass w Gasket)	7811 837 ⁵	7811 837 ⁵	7811 837 ⁵	7811 837 ⁵
017	Sight Glass Cover	7820 050 ⁸	7820 050 ⁸	7820 050 ⁸	7820 050 ⁸
018	Burner Plate	n.a. ^{n.a.}	n.a. ^{n.a.}	n.a. ^{n.a.}	n.a. ^{n.a.}
019	Turbulator Insert	7822 328 ¹³	7822 328 ¹³	7822 328 ¹³	7822 328 ¹³
020	Gasket 35 x 45 x 2mm	7814 728 ²	7814 728 ²	7814 728 ²	7814 728 ²
021	Gasket d=8mm l=2000mm	7820 804 ⁹	7820 804 ⁹	7820 804 ⁹	7820 804 ⁹
022	Plug, 2"	7815 631 ⁷	7815 631 ⁷	7815 631 ⁷	7815 631 ⁷
023	Insulation Blkt d=408mm	7226 004 ⁸	7226 004 ⁸	7226 004 ⁸	7226 004 ⁸
024	Fiber Rope Seal d=10mm l=3600mm	7820 807 ¹⁴	7820 807 ¹⁴	7820 807 ¹⁴	7820 807 ¹⁴
025	Rear Section (ASME)	7223 836 ⁷⁷	7223 836 ⁷⁷	7223 836 ⁷⁷	7223 836 ⁷⁷
026 *1 W	Refractory Insert	7226 047 ²⁸	7226 047 ²⁸	7226 047 ²⁸	7226 047 ²⁸
027	Clean-out Cover	7223 842 ¹⁴	7223 842 ¹⁴	7223 842 ¹⁴	7223 842 ¹⁴
028	4-Point Sensor Well	7812 522 ¹²	7812 522 ¹²	7812 522 ¹²	7812 522 ¹²
031	Flue Outlet	7223 867 ⁴⁷	7223 867 ⁴⁷	7223 867 ⁴⁷	7223 867 ⁴⁷
032 *1	Blind Plate	7223 868 ²⁶	7223 868 ²⁶	7223 868 ²⁶	7223 868 ²⁶
033	Cleaning Brush Handle	7810 048 ⁷	7810 048 ⁷	7810 048 ⁷	7810 048 ⁷
034	Extension Rod M10 355mm	7824 022 ¹⁰	n.a. ^{n.a.}	n.a. ^{n.a.}	n.a. ^{n.a.}
035	Extension Rod M10 1000mm	7006 679 ⁷	n.a. ^{n.a.}	7006 679 ⁷	7006 679 ⁷
036	Extension Rod M10 1100mm	n.a. ^{n.a.}	7811 495 ⁷	n.a. ^{n.a.}	7811 495 ⁷
037	Flange, Wtr.Dist.Pipe	7223 850 ²³	7223 850 ²³	7223 850 ²³	7223 850 ²³
038	Wtr.Dist.Pipe, Triple Elem.	n.a. ^{n.a.}	7223 847 ²¹	7223 847 ²¹	7223 847 ²¹
039	Wtr.Dist.Pipe, Quad. Elem.	7223 848 ²²	7223 848 ²²	n.a. ^{n.a.}	7223 848 ²²
040	Wtr.Dist.Pipe, Dbl End Elem.	n.a. ^{n.a.}	7223 846 ²¹	n.a. ^{n.a.}	n.a. ^{n.a.}
041	Wtr.Dist.Pipe, Quad. Endelem.	7223 849 ²³	n.a. ^{n.a.}	7223 849 ²³	7223 849 ²³
042	Fiber Rope Seal d=8mm l=1000mm	7820 803 ⁸	7820 803 ⁸	7820 803 ⁸	7820 803 ⁸
043	Fiber Rope Seal d=8mm l=4000mm	7820 806 ¹¹	7820 806 ¹¹	7820 806 ¹¹	7820 806 ¹¹
044	Support Bracket	7820 049 ¹²	7820 049 ¹²	7820 049 ¹²	7820 049 ¹²
045	Gasket DN100	7819 731 ⁷	7819 731 ⁷	7819 731 ⁷	7819 731 ⁷
200	Front Panel	7816 829 ²¹	7816 829 ²¹	7816 829 ²¹	7816 829 ²¹
					continued

VITOROND 200

Vitorond 200	VD2 560	VD2 630	VD2 700	VD2 780
General Info	Price List Section: 7.3			
	Parts Catalog Section: VD2		(07/2003 -)	
	Series Name:			
	Applies to serials nos. beginning with: 7134284... 7134285... 7134286... 7134287...			
	Accurate as of: 07/01/2012			

Parts List

Please refer to: Parts List
Pos. Description

Part Numbers / Price Categories

Pos.	Description	7816 830 ¹⁰	7816 830 ¹⁰	7816 830 ¹⁰	7816 830 ¹⁰
201	Bracket	7816 830 ¹⁰	7816 830 ¹⁰	7816 830 ¹⁰	7816 830 ¹⁰
202	Cover Strip	7816 795 ¹³	7816 795 ¹³	7816 795 ¹³	7816 795 ¹³
203	Front Left Cover	7816 831 ²²	7816 831 ²²	7816 831 ²²	7816 831 ²²
204	Front Right Cover	7816 832 ²²	7816 832 ²²	7816 832 ²²	7816 832 ²²
205	Rear Mounting Brkt	7816 833 ¹⁴	7816 833 ¹⁴	7816 833 ¹⁴	7816 833 ¹⁴
206	Back Panel-Right	7816 834 ²³	7816 834 ²³	7816 834 ²³	7816 834 ²³
207	Back Panel-Left	7816 835 ²³	7816 835 ²³	7816 835 ²³	7816 835 ²³
208	Top Panel-Front	7816 837 ¹⁹	7816 837 ¹⁹	7816 836 ²⁰	7816 836 ²⁰
209	Top Panel-Middle	7816 838 ²⁰	7816 838 ²⁰	7816 839 ²⁰	7816 839 ²⁰
210	Top Panel-Rear	7816 842 ²⁰	7816 843 ²¹	7816 842 ²⁰	7816 843 ²¹
211	Connecting Panel	7816 844 ¹³	7816 844 ¹³	7816 844 ¹³	7816 844 ¹³
212	Spacer	7816 845 ⁹	7816 845 ⁹	7816 845 ⁹	7816 845 ⁹
213	Side Panel 502mm	7816 846 ²¹	7816 846 ²¹	n.a. ^{n.a.}	n.a. ^{n.a.}
214	Side Panel 628mm	7816 847 ²²	n.a. ^{n.a.}	7816 847 ²²	7816 847 ²²
215	Side Panel 755mm	n.a. ^{n.a.}	7816 848 ²³	n.a. ^{n.a.}	7816 848 ²³
216	Tie-Bar	5335 762 ¹⁵	5335 762 ¹⁵	5335 762 ¹⁵	5335 762 ¹⁵
217	Insulation Blkt I	n.a. ^{n.a.}	n.a. ^{n.a.}	7816 850 ²²	7816 850 ²²
218	Insulation Blkt I	7816 851 ²²	7816 851 ²²	n.a. ^{n.a.}	n.a. ^{n.a.}
219	Insulation Blkt II w = 466mm	7816 852 ¹⁶	7816 852 ¹⁶	n.a. ^{n.a.}	n.a. ^{n.a.}
220	Insulation Blkt II w = 612mm	7816 853 ¹⁷	n.a. ^{n.a.}	7816 853 ¹⁷	7816 853 ¹⁷
221	Insulation Blkt II w = 706mm	n.a. ^{n.a.}	7816 854 ²⁰	n.a. ^{n.a.}	7816 854 ²⁰
222	Insulation Blkt-Rear	7816 855 ¹³	7816 855 ¹³	7816 855 ¹³	7816 855 ¹³
223	Insulation Blkt-Bottom	7816 860 ¹²	7816 861 ¹²	7816 862 ¹²	7816 863 ¹⁴
224	Strain Relief (2-Channel)	7818 493 ⁴	7818 493 ⁴	7818 493 ⁴	7818 493 ⁴
225	Nameplate "Vitorond 200"	7819 437 ⁵	7819 437 ⁵	7819 437 ⁵	7819 437 ⁵
226	Cover, Edgemolding	7819 438 ⁴	7819 438 ⁴	7819 438 ⁴	7819 438 ⁴
300	Access. Pack (Insulation)	7816 865 ¹²	7816 865 ¹²	7816 865 ¹²	7816 865 ¹²
301	Decorative Stripe (1 Roll, 33f / 10m)	7819 535 ⁵	7819 535 ⁵	7819 535 ⁵	7819 535 ⁵
302	Touch-UP Spray Paint, Vitosilver	7819 545 ⁹	7819 545 ⁹	7819 545 ⁹	7819 545 ⁹
303	Touch-UP Paint Stick, Vitosilver	7819 546 ⁵	7819 546 ⁵	7819 546 ⁵	7819 546 ⁵
304	Glue, Dana Kontakt 150ml	7223 827 ⁸	7223 827 ⁸	7223 827 ⁸	7223 827 ⁸
306	Split Kit	Z000681 ^{Kit}	Z000681 ^{Kit}	Z000681 ^{Kit}	Z000681 ^{Kit}
307	Install. Instructions	5285 429 ^L	5285 429 ^L	5285 429 ^L	5285 429 ^L
308	Start-Up/Instal. Instr.	5285 431 ^L	5285 431 ^L	5285 431 ^L	5285 431 ^L
309	Parts List	5285 433 ^L	5285 433 ^L	5285 433 ^L	5285 433 ^L
310 W	Cleaning Brush Head, M10	7223 866 ⁸	7223 866 ⁸	7223 866 ⁸	7223 866 ⁸
					continued

VITOROND 200

Vitorond 200	VD2 560	VD2 630	VD2 700	VD2 780
General Info	Price List Section: 7.3			
	Parts Catalog Section: VD2		(07/2003 -)	
	Series Name:			
	Applies to serials nos. beginning with:	7134284...	7134285...	7134286... 7134287...
	Accurate as of:	07/01/2012		

Parts List

Please refer to: Parts List
Pos. Description

Part Numbers / Price Categories

311	Oper. Instr./User's Info	5285 432 ^L	5285 432 ^L	5285 432 ^L	5285 432 ^L
400	Install. Supp. Barometric Draft Regul.	5167 162 ^L	5167 162 ^L	5167 162 ^L	5167 162 ^L
401	Sensor #2 (Immersion)	7450 041 ²²	7450 041 ²²	7450 041 ²²	7450 041 ²²
402	Air Vent w Shut-off Base	9542 941 ⁸	9542 941 ⁸	9542 941 ⁸	9542 941 ⁸
403	Thermometer Bimetal C/F, 5" 0-250 Deg.F	9544 333 ²⁵	9544 333 ²⁵	9544 333 ²⁵	9544 333 ²⁵
404	Press. Gage, 0-160PSI 4" 100	9544 351 ¹⁹	9544 351 ¹⁹	9544 351 ¹⁹	9544 351 ¹⁹
405	Low Water Cutoff Model 550 w Man. Reset	9544 357 ³³	9544 357 ³³	9544 357 ³³	9544 357 ³³
406	Hex Bolt, M16 x 130mm (f Comb. Ch. Door)	9560 437 ^D	9560 437 ^D	9560 437 ^D	9560 437 ^D

Notes:

*1 WARNING: **Not** compatible with Rondomat RL or RK boiler series! Order pos. 026 and 032 together.

"n.a." indicates not applicable.

"W" indicates wearing part (service).

"L" indicates literature (no charge).

"Kit" or "Other" indicates that this is not a Price Category item; c

Vitorond 200	VD2 860	VD2 950	VD2 1080	
General Info	Price List Section: 7.3			
	Parts Catalog Section: VD2		(07/2003 -)	
	Series Name:			
	Applies to serials nos. beginning with:	7134288...	7134289...	7134290...
	Accurate as of:	07/01/2012		

Parts List

Please refer to: Parts List
Pos. Description

Part Numbers / Price Categories

Pos.	Description	7223 837 ¹⁹	7223 837 ¹⁹	7223 837 ¹⁹	
001	Door Hinge	7223 837 ¹⁹	7223 837 ¹⁹	7223 837 ¹⁹	
002	Tie Rod, 480mm / 19"	7305 136 ⁷	7305 136 ⁷	7305 136 ⁷	
003	Tie Rod, 610mm / 24"	7305 137 ⁷	7305 137 ⁷	7305 137 ⁷	
004	Push Nipple	7822 339 ⁸	7822 339 ⁸	7822 339 ⁸	
005	Fiber Rope Seal	Z000454 ^{Kit}	Z000454 ^{Kit}	Z000454 ^{Kit}	
006	Door Hinge, Stop	7223 838 ¹⁹	7223 838 ¹⁹	7223 838 ¹⁹	
007	Mid Section (ASME)	7223 835 ⁷³	7223 835 ⁷³	7223 835 ⁷³	
008	Front Section (ASME)	7223 834 ⁷¹	7223 834 ⁷¹	7223 834 ⁷¹	
009	Comb. Chamber Door	7223 839 ⁷⁶	7223 839 ⁷⁶	7223 839 ⁷⁶	
010	Insulation Blkt 467x467mm	7223 841 ¹⁴	7223 841 ¹⁴	7223 841 ¹⁴	
011	Insulation Blkt (3 part) 868x968mm	7820 045 ¹³	7820 045 ¹³	7820 045 ¹³	
012 W	Comb. Chamber Door Insulation Block	7819 136 ²⁸	7819 136 ²⁸	7819 136 ²⁸	
013	Fiber Rope Seal 16x16mm l=3600mm	7820 809 ²³	7820 809 ²³	7820 809 ²³	
014	Hose Nipple 1/4"	7816 212 ⁵	7816 212 ⁵	7816 212 ⁵	
015	Plastic Hose, 800mm	7810 029 ⁴	7810 029 ⁴	7810 029 ⁴	
016	Sight Glass (Glass w Gasket)	7811 837 ⁵	7811 837 ⁵	7811 837 ⁵	
017	Sight Glass Cover	7820 050 ⁸	7820 050 ⁸	7820 050 ⁸	
018	Burner Plate	n.a. ^{n.a.}	n.a. ^{n.a.}	n.a. ^{n.a.}	
019	Turbulator Insert	7822 328 ¹³	n.a. ^{n.a.}	n.a. ^{n.a.}	
020	Gasket 35 x 45 x 2mm	7814 728 ²	7814 728 ²	7814 728 ²	
021	Gasket d=8mm l=2000mm	7820 804 ⁹	7820 804 ⁹	7820 804 ⁹	
022	Plug, 2"	7815 631 ⁷	7815 631 ⁷	7815 631 ⁷	
023	Insulation Blkt d=408mm	7226 004 ⁸	7226 004 ⁸	7226 004 ⁸	
024	Fiber Rope Seal d=10mm l=3600mm	7820 807 ¹⁴	7820 807 ¹⁴	7820 807 ¹⁴	
025	Rear Section (ASME)	7223 836 ⁷⁷	7223 836 ⁷⁷	7223 836 ⁷⁷	
026 *1 W	Refractory Insert	7226 047 ²⁸	7226 047 ²⁸	7226 047 ²⁸	
027	Clean-out Cover	7223 842 ¹⁴	7223 842 ¹⁴	7223 842 ¹⁴	
028	4-Point Sensor Well	7812 522 ¹²	7812 522 ¹²	7812 522 ¹²	
031	Flue Outlet	7223 867 ⁴⁷	7223 867 ⁴⁷	7223 867 ⁴⁷	
032 *1	Blind Plate	7223 868 ²⁶	7223 868 ²⁶	7223 868 ²⁶	
033	Cleaning Brush Handle	7810 048 ⁷	7810 048 ⁷	7810 048 ⁷	
034	Extension Rod M10 355mm	n.a. ^{n.a.}	7824 022 ¹⁰	7824 022 ¹⁰	
035	Extension Rod M10 1000mm	n.a. ^{n.a.}	7006 679 ⁷	7006 679 ⁷	
036	Extension Rod M10 1100mm	7811 495 ⁷	n.a. ^{n.a.}	7811 495 ⁷	
037	Flange, Wtr.Dist.Pipe	7223 850 ²³	7223 850 ²³	7223 850 ²³	
038	Wtr.Dist.Pipe, Triple Elem.	n.a. ^{n.a.}	7223 847 ²¹	7223 847 ²¹	
039	Wtr.Dist.Pipe, Quad. Elem.	7223 848 ²²	n.a. ^{n.a.}	7223 848 ²²	
040	Wtr.Dist.Pipe, Dbl End Elem.	n.a. ^{n.a.}	n.a. ^{n.a.}	n.a. ^{n.a.}	
041	Wtr.Dist.Pipe, Quad. Endelem.	7223 849 ²³	7223 849 ²³	7223 849 ²³	
042	Fiber Rope Seal d=8mm l=1000mm	7820 803 ⁸	7820 803 ⁸	7820 803 ⁸	
043	Fiber Rope Seal d=8mm l=4000mm	7820 806 ¹¹	7820 806 ¹¹	7820 806 ¹¹	
044	Support Bracket	7820 049 ¹²	7820 049 ¹²	7820 049 ¹²	
045	Gasket DN100	7819 731 ⁷	7819 731 ⁷	7819 731 ⁷	
200	Front Panel	7816 829 ²¹	7333 843 ²¹	7333 843 ²¹	
					continued

Vitorond 200	VD2 860	VD2 950	VD2 1080	
General Info	Price List Section: 7.3			
	Parts Catalog Section: VD2		(07/2003 -)	
	Series Name:			
	Applies to serials nos. beginning with: 7134288...		7134289...	7134290...
	Accurate as of: 07/01/2012			

Parts List

Please refer to: Parts List
Pos. Description

Part Numbers / Price Categories

Pos.	Description	7816 830 ¹⁰	5275 946 ¹⁰	5275 946 ¹⁰	
201	Bracket				
202	Cover Strip	7816 795 ¹³	7334 743 ¹³	7334 743 ¹³	
203	Front Left Cover	7816 831 ²²	7334 765 ²²	7334 765 ²²	
204	Front Right Cover	7816 832 ²²	7334 766 ²²	7334 766 ²²	
205	Rear Mounting Brkt	7816 833 ¹⁴	5335 761 ¹⁴	5335 761 ¹⁴	
206	Back Panel-Right	7816 834 ²³	7334 768 ²³	7334 768 ²³	
207	Back Panel-Left	7816 835 ²³	7334 767 ²³	7334 767 ²³	
208	Top Panel-Front	7816 836 ²⁰	5335 770 ²⁰	5335 770 ²⁰	
209	Top Panel-Middle	7816 840 ²¹	5337 453 ²¹	5337 453 ²¹	
210	Top Panel-Rear	7816 843 ²¹	5337 458 ²¹	5337 458 ²¹	
211	Connecting Panel	7816 844 ¹³	5335 763 ¹³	5335 763 ¹³	
212	Spacer	7816 845 ⁹	5335 850 ⁹	5335 850 ⁹	
213	Side Panel 502mm	n.a. ^{n.a.}	n.a. ^{n.a.}	n.a. ^{n.a.}	
214	Side Panel 628mm	7816 847 ²²	5335 765 ²²	5335 765 ²²	
215	Side Panel 755mm	7816 848 ²³	5337 450 ²³	5337 450 ²³	
216	Tie-Bar	5335 762 ¹⁵	5335 762 ¹⁵	5335 762 ¹⁵	
217	Insulation Blkt I	7816 850 ²²	7816 850 ²²	7816 850 ²²	
218	Insulation Blkt I	n.a. ^{n.a.}	n.a. ^{n.a.}	n.a. ^{n.a.}	
219	Insulation Blkt II w = 466mm	n.a. ^{n.a.}	n.a. ^{n.a.}	n.a. ^{n.a.}	
220	Insulation Blkt II w = 612mm	n.a. ^{n.a.}	n.a. ^{n.a.}	n.a. ^{n.a.}	
221	Insulation Blkt II w = 706mm	7816 854 ²⁰	7816 854 ²⁰	7816 854 ²⁰	
222	Insulation Blkt-Rear	7816 855 ¹³	7816 855 ¹³	7816 855 ¹³	
223	Insulation Blkt-Bottom	7816 864 ¹⁴	7816 864 ¹⁴	7816 864 ¹⁴	
224	Strain Relief (2-Channel)	7818 493 ⁴	7818 493 ⁴	7818 493 ⁴	
225	Nameplate "Vitorond 200"	7819 437 ⁵	7819 437 ⁵	7819 437 ⁵	
226	Cover, Edgemolding	7819 438 ⁴	7819 438 ⁴	7819 438 ⁴	
300	Access. Pack (Insulation)	7816 865 ¹²	7816 865 ¹²	7816 865 ¹²	
301	Decorative Stripe (1 Roll, 33f / 10m)	7819 535 ⁵	7819 535 ⁵	7819 535 ⁵	
302	Touch-UP Spray Paint, Vitosilver	7819 545 ⁹	7819 545 ⁹	7819 545 ⁹	
303	Touch-UP Paint Stick, Vitosilver	7819 546 ⁵	7819 546 ⁵	7819 546 ⁵	
304	Glue, Dana Kontakt 150ml	7223 827 ⁸	7223 827 ⁸	7223 827 ⁸	
306	Split Kit	Z000681 ^{Kit}	Z000681 ^{Kit}	Z000681 ^{Kit}	
307	Install. Instructions	5285 429 ^L	5285 429 ^L	5285 429 ^L	
308	Start-Up/Instal. Instr.	5285 431 ^L	5285 431 ^L	5285 431 ^L	
309	Parts List	5285 433 ^L	5285 433 ^L	5285 433 ^L	
310 W	Cleaning Brush Head, M10	7223 866 ⁸	7223 866 ⁸	7223 866 ⁸	
					continued

VITOROND 200

Vitorond 200	VD2 860	VD2 950	VD2 1080	
General Info	Price List Section:	7.3		
	Parts Catalog Section:	VD2	(07/2003 -)	
	Series Name:			
	Applies to serials nos. beginning with:	7134288...	7134289...	7134290...
	Accurate as of:	07/01/2012		

Parts List

Please refer to: Parts List
Pos. Description

Part Numbers / Price Categories

311	Oper. Instr./User's Info	5285 432 ^L	5285 432 ^L	5285 432 ^L	
400	Install. Supp. Barometric Draft Regul.	5167 162 ^L	5167 162 ^L	5167 162 ^L	
401	Sensor #2 (Immersion)	7450 041 ²²	7450 041 ²²	7450 041 ²²	
402	Air Vent w Shut-off Base	9542 941 ⁸	9542 941 ⁸	9542 941 ⁸	
403	Thermometer Bimetal C/F, 5" 0-250 Deg.F	9544 333 ²⁵	9544 333 ²⁵	9544 333 ²⁵	
404	Press. Gage, 0-160PSI 4" 100	9544 351 ¹⁹	9544 351 ¹⁹	9544 351 ¹⁹	
405	Low Water Cutoff Model 550 w Man. Reset	9544 357 ³³	9544 357 ³³	9544 357 ³³	
406	Hex Bolt, M16 x 130mm (f Comb. Ch. Door)	9560 437 ^D	9560 437 ^D	9560 437 ^D	

Notes:

*1 WARNING: **Not** compatible with Rondomat RL or RK boiler series! Order pos. 026 and 032 together.

"n.a." indicates not applicable.

"W" indicates wearing part (service).

"L" indicates literature (no charge).

"Kit" or "Other" indicates that this is not a Price Category item; c

VITOROND 200

VD2 Series
VD2-320 to VD2-1080

Please file in Service Binder

Ordering Replacement Parts:

Please provide boiler Model and Serial Number from rating plate when ordering replacement parts. Order replacement components from your Viessmann distributor.

Parts

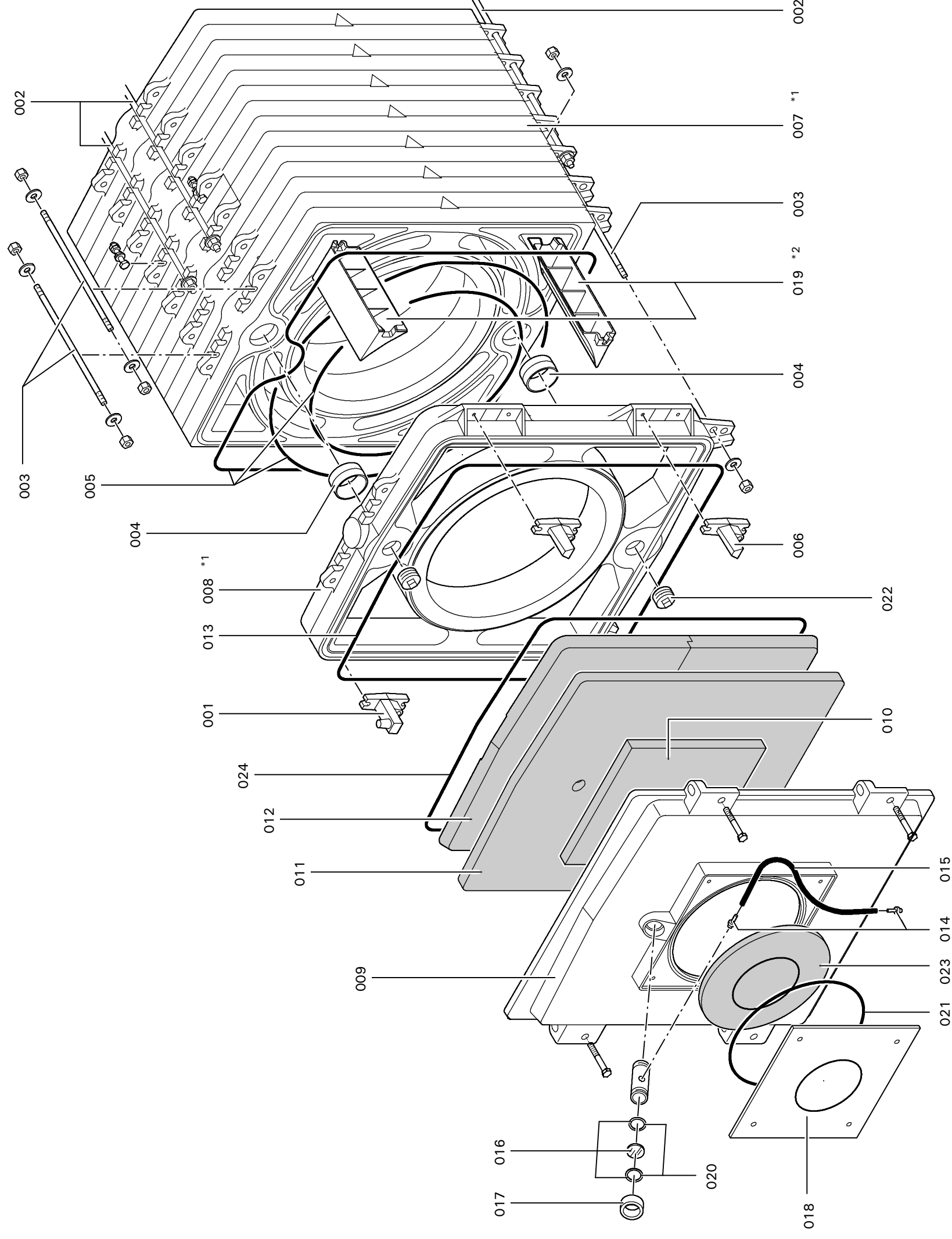
- 001 Door hinge
- 002 Tie rod, 480 mm
- 003 Tie rod, 610 mm
- 004 Push nipple
- 005 Fiber rope seal, 12 mm x 9 m
- 006 Door hinge, stop
- 007 Single mid-section
- 008 Front section
- 009 Combustion chamber door
- 010 Insulation blanket, 467 x 467 mm
- 011 Insulation blanket (3 part), 868 x 968 mm
- 012 Combustion chamber door insulation block
- 013 Fiber rope seal, 16 x 16 mm l=3600 mm
- 014 Hose nipple, 1/4"
- 015 Plastic hose, 800 mm
- 016 Sight glass c/w gasket
- 017 Sight glass cover
- 018 Burner plate
- 019 Turbulator insert
- 020 Gasket, 35 x 45 x 2 mm
- 021 Gasket, d = 8 l = 2000 mm
- 022 Plug, 2"
- 023 Insulation blanket, d = 408 mm
- 024 Fiber rope seal, d = 10 l = 3600 mm

Other Parts (not illustrated)

- 300 Accessory pack (insulation)
- 301 Decorative stripe (1 roll = 33 f / 10 m)
- 302 Touch-up spray paint, Vitosilver
- 303 Touch-up paint stick, Vitosilver
- 304 Glue, 150ml
- 306 Split Kit
- 307 Installation Instructions
- 308 Start-up/Service Instructions
- 309 Parts List
- 311 Operating Instructions

*1 Order item 306 for every section joint.

*2 Number of turbulators for every third flue
 - for VD2-320 to VD2-440: 3 pieces
 - for VD2-500 to VD2-560: 2 pieces
 - for VD2-630 to VD2-860 kW: 1 piece



Parts

- 025 Rear section
- 026 Refractory insert
- 027 Clean-out cover
- 028 4-Point sensor well
- 031 Flue outlet
- 032 Blind plate
- 033 Cleaning brush handle
- 034 Extension rod, M10 355 mm
- 035 Extension rod, M10 1000 mm
- 036 Extension rod, M10 1100 mm
- 037 Flange, water distribution pipe
- 038 Water distribution pipe, triple element
- 039 Water distribution pipe, quad. element
- 040 Water distribution pipe, double end element
- 041 Water distribution pipe, quad. end element
- 042 Fiber rope seal, d = 8 mm l = 1000 mm
- 043 Fiber rope seal, d = 8 mm l = 4000 mm
- 044 Support bracket
- 045 Gasket, DN100
- 310 Cleaning brush head, M10

*1 Order item 306 for every section joint.

*2 Only for VD2-380 to 630, 950 and 1080.

*3 Only for VD2-380, 500, 560, 700, 780, 950 and 1080.

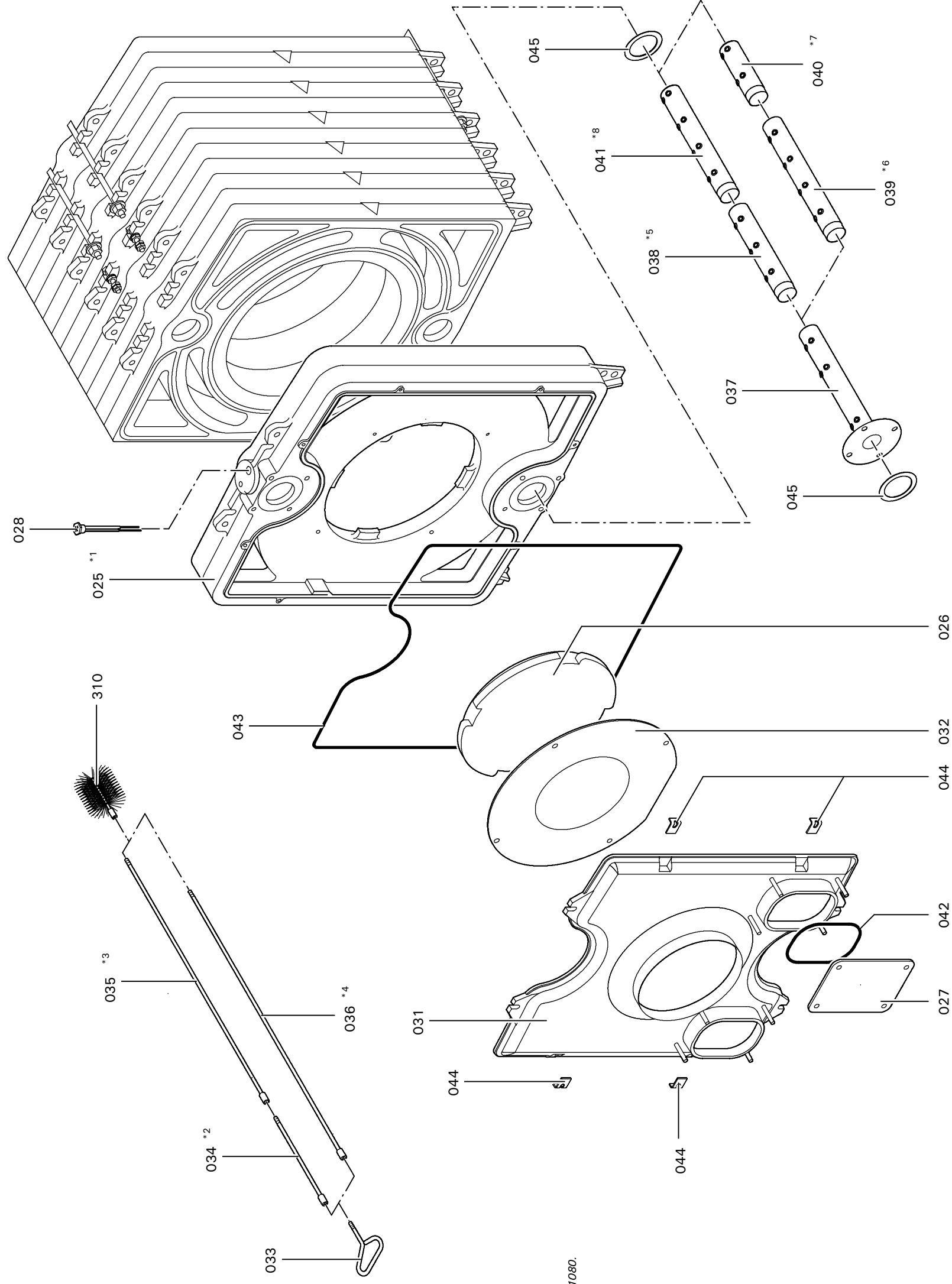
*4 Only for VD2-320, 440, 630, 780, 860 and 1080.

*5 Only for VD2-380, 500, 630, 700, 780, 950 and 1080.

*6 Only for VD2-440, 560, 630, 780, 860 and 1080.

*7 Only for VD2-380, 440 and 630.

*8 Only for VD2-320, 500, 560, 700, 780, 860, 950 and 1080.



Parts

- 200 Front panel
- 201 Bracket
- 202 Cover strip
- 203 Front left cover
- 204 Front right cover
- 205 Rear mounting bracket
- 206 Back panel-right
- 207 Back panel-left
- 208 Top panel-front
- 209 Top panel-middle
- 210 Top panel-rear
- 211 Connecting panel
- 212 Spacer
- 213 Side panel, 502 mm
- 214 Side panel, 628 mm
- 215 Side panel, 755 mm
- 216 Tie-bar
- 217 Insulation blanket I
- 218 Insulation blanket I
- 219 Insulation blanket II, w = 466 mm
- 220 Insulation blanket II, w = 612 mm
- 221 Insulation blanket II, w = 706 mm
- 222 Insulation blanket-rear
- 223 Insulation blanket-bottom
- 224 Strain relief (2-channel)
- 225 Nameplate "Vitorond 200"
- 226 Cover, edgemolding

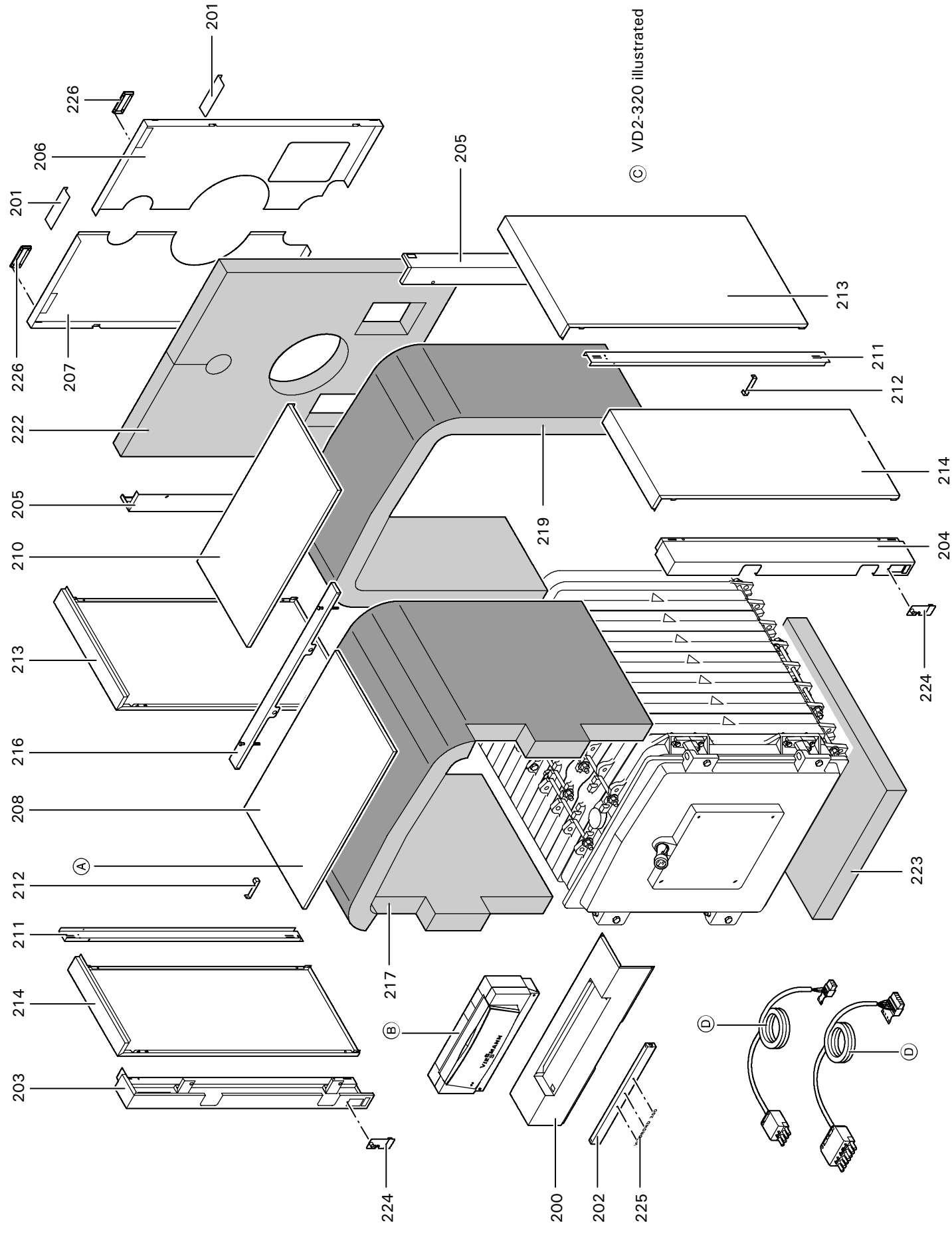
(A) Rating plate *1

(B) Boiler control (see Parts List of control unit)

(C) Arrangement of panels and insulation blankets (VD2-320 shown)

(D) Burner cable (see Parts List of control unit)

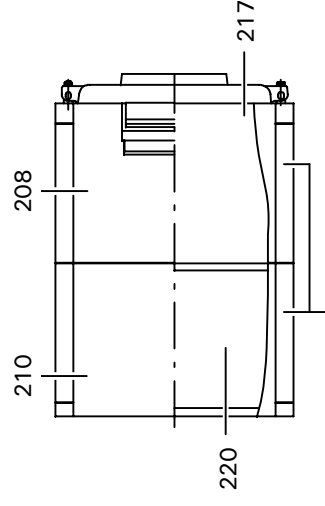
*1 May be located at a different location.



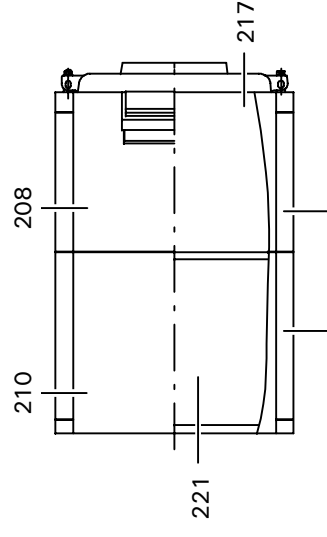
Parts

- 208 Top panel-front
- 209 Top panel-middle
- 210 Top panel-rear
- 213 Side panel, 502 mm
- 214 Side panel, 628 mm
- 215 Side panel, 755 mm
- 217 Insulation blanket I
- 218 Insulation blanket I
- 219 Insulation blanket II, w = 466 mm
- 220 Insulation blanket II, w = 612 mm
- 221 Insulation blanket II, w = 706 mm

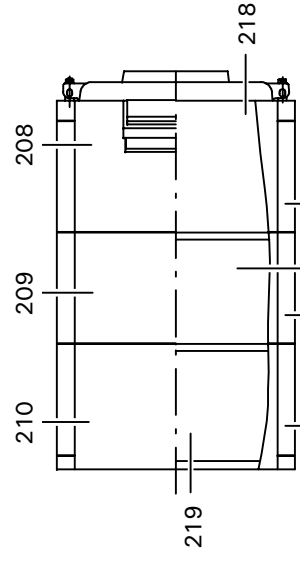
© Arrangement of panels and insulation blankets
(VD2-320 to VD2-1080 shown)



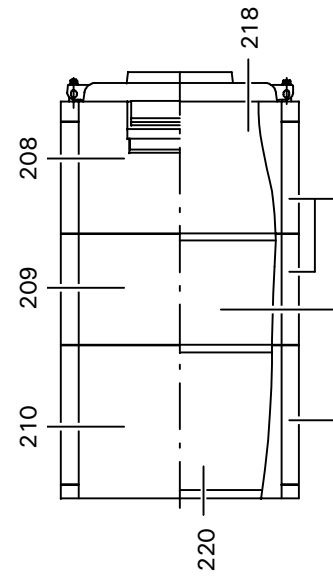
© VD2-380



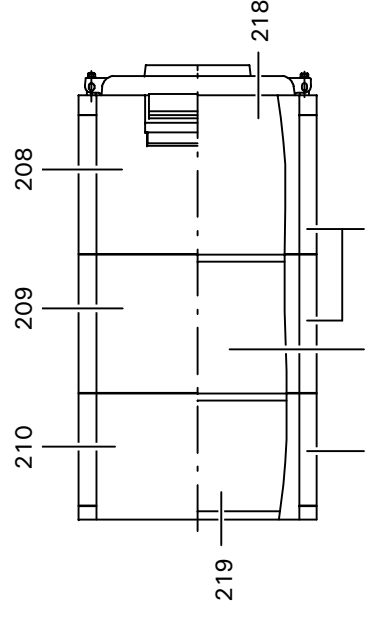
© VD2-440



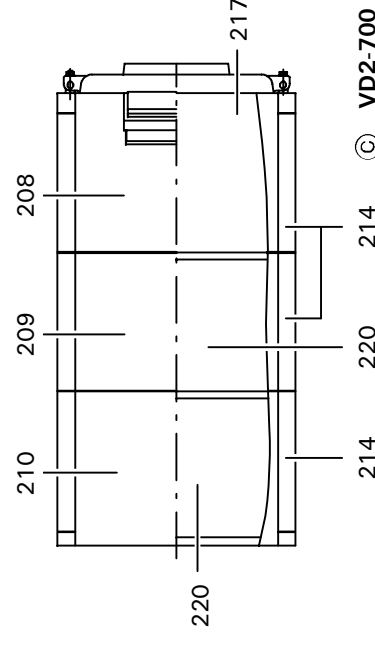
© VD2-500



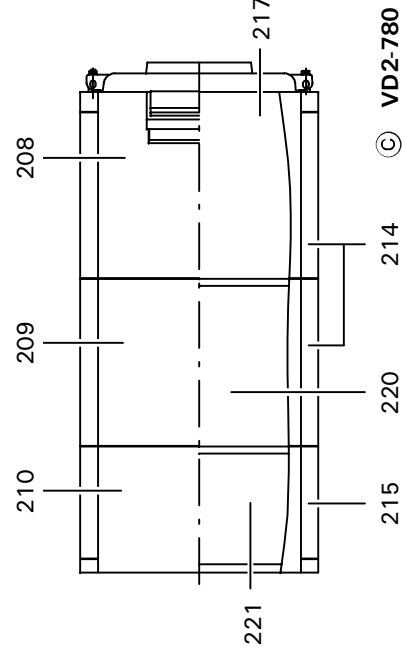
© VD2-560



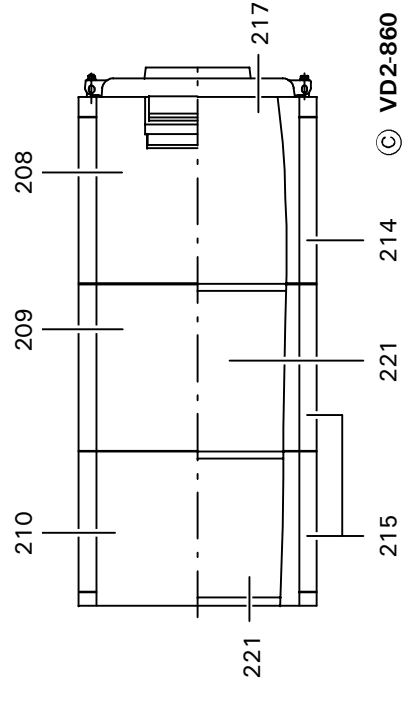
© VD2-630



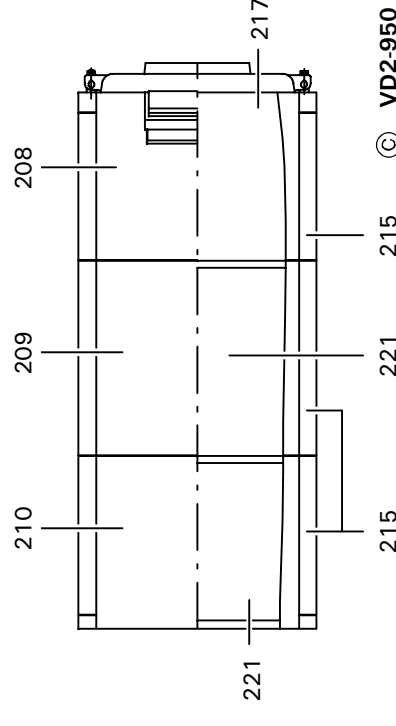
© VD2-700



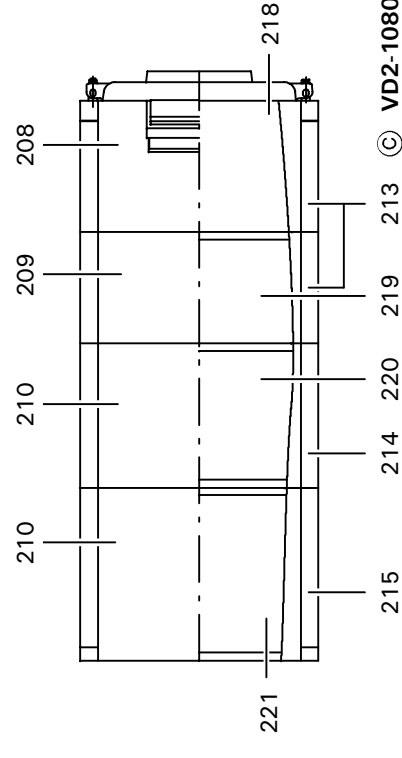
© VD2-780



© VD2-860



© VD2-950



© VD2-1080

Rondomat

Rondomat	RMT 320	RMT 380	RMT 440	RMT 500	RMT 560	RMT 630	RMT 700	RMT 780	
General Info	Price List / Product Cat. Section: 7.3 Series Name: Rondomat (6/1996 - 7/2003) Accurate as of: 07/01/2012								
Shipping Overview	Unassembled Cast-Iron Block, small Burner Plate								
Level 0	Price List	RL53200	RL53800	RL54400	RL55000	RL55600	RL56300	RL57000	RL57800
Level 1	Fr/Rr Sec	7167 967	7167 967	7167 967	7167 967	7167 967	7167 967	7167 967	7167 967
	3 Ctr	7142 052	-	-	-	7142052 x 2	7142 052	-	-
	4 Ctr	7142 053	7142053 x 2	7142 053	-	-	7142 053	7142053 x 2	7142 053
	5 Ctr	-	-	7142 054	7142054 x 2	7142 054	7142 054	7142 054	7142054 x 2
	Jkt 1	7133 622	7133 623	7133 624	7133 625	7133 626	7133 627	7133 628	7133 629
	Jkt 2	7516 889	7516 892	7516 894	7516 896	7516 898	7517 000	7517 002	7517 004
	Jkt 3	7133 633	7133 633	7133 633	7133 633	7133 633	7133 633	7133 633	7133 633
	Header	7133 637	7133 637	7133 637	7133 637	7133 637	7133 637	7133 637	7133 637
	Inst Fittings	7133 636	7133 636	7133 636	7133 636	7133 636	7133 636	7133 636	7133 636
	AccessPk	7223 774	7223 775	7223 776	7223 777	7223 778	7223 779	7223 780	7223 781
	sm BrnrPI	7133 619	7133 614	7133 614	7133 614	7133 614	7133 616	7133 615	7133 616
		Unassembled Cast-Iron Block, large Burner Plate							
Level 0	Price List	RL53210	-	-	RL55010	RL55610	RL56310	RL57010	RL57810
Level 1	Fr/Rr Sec	7167 967	-	-	7167 967	7167 967	7167 967	7167 967	7167 967
	3 Ctr	7142 052	-	-	-	7142052 x 2	7142 052	-	-
	4 Ctr	7142 053	-	-	-	-	7142 053	7142053 x 2	7142 053
	5 Ctr	-	-	-	7142054 x 2	7142 054	7142 054	7142 054	7142054 x 2
	Jkt 1	7133 622	-	-	7133 625	7133 626	7133 627	7133 628	7133 629
	Jkt 2	7516 889	-	-	7516 896	7516 898	7517 000	7517 002	7517 004
	Jkt 3	7133 633	-	-	7133 633	7133 633	7133 633	7133 633	7133 633
	Header	7133 637	-	-	7133 637	7133 637	7133 637	7133 637	7133 637
	Inst Fittings	7133 636	-	-	7133 636	7133 636	7133 636	7133 636	7133 636
	AccessPk	7223 774	-	-	7223 777	7223 778	7223 779	7223 780	7223 781
	lg BrnrPI	7133 614	-	-	7133 615	7133 615	7133 615	7133 618	7133 618

continued

Rondomat

Rondomat	RMT 320	RMT 380	RMT 440	RMT 500	RMT 560	RMT 630	RMT 700	RMT 780		
General Info	Price List / Product Cat. Section: 7.3									
	Series Name: Rondomat (6/1996 - 7/2003)									
	Accurate as of: 07/01/2012									
Shipping Overview										
30% Boiler Flow Package, 120/1/60										
Level 0	Price List	Z001235	Z001236	Z001237	Z001238					
Level 1	Pump	9544 423	9544 428	9560 234	9544 455					
	Flange	9544 424	9544 464	9544 425	9544 464					
	Ball Valve	9544349 x 2	9544349 x 2	9544349 x 2	9544349 x 2					
	FCV	9544 359	9544 359	9544 359	9544 359					
	Dual Aq	9544 340	9544 340	9544 340	9544 340					
Shipping Overview										
30% Boiler Flow Package, 208/3/60										
Level 0	Price List	Z001241		Z001242						
Level 1	Pump	9560 236		9544 497						
	Flange	9544 425		9544 464						
	Ball Valve	9544349 x 2		9544349 x 2						
	FCV	9544 359		9544 359						
	Dual Aq	9544 340		9544 340						
Shipping Overview										
100% Boiler Flow Package, 208/3/60										
Level 0	Price List	Z001253	Z001254	Z001255		Z001256				
Level 1	Pump	9560 274	9544 457	9544 489		9549 216				
	Flange	9544 461	9544 466	9544 466		9544 466				
	Valve	9544 468	9544 467	9544 470		9544 470				
	Flange	9544 481	9544 482	9544 486		9544 486				
	Actuator	9544 483	9544 483	9544 483		9544 483				
Shipping Overview										
100% Boiler Flow Package, 460/3/60										
Level 0	Price List	Z001259	Z001263			Z001264	Z001265			
Level 1	Pump	9560 275	9549 801		9549 801	9560 638				
	Flange	9544 461	9544 466		9544 466	9544 466				
	Valve	9544 468	9544 470		9544 470	9544 470				
	Flange	9544 481	9544 486		9544 486	9544 486				
	Actuator	9544 483	9544 483		9544 483	9544 483				
Shipping Overview										
100% Boiler Flow Package, 575/3/60										
Level 0	Price List	Z001268	Z001272		Z001273	Z001274				
Level 1	Pump	9560 276	9543 797		9549 871	9549 871				
	Flange	9544 461	9544 466		9544 466	9544 466				
	Valve	9544 468	9544 470		9544 470	9544 470				
	Flange	9544 481	9544 486		9544 486	9544 486				
	Actuator	9544 483	9544 483		9544 483	9544 483				

Rondomat		RMT 860	RMT 910	RMT 1080	
General Info		Price List / Product Cat. Section: 7.3			
		Series Name: Rondomat (6/1996 - 7/2003)			
		Accurate as of: 07/01/2012			
Shipping Overview		Unassembled Cast-Iron Block, small Burner Plate			
Level 0	Price List	RL58600	RL59100	RL51080	
Level 1	Fr/Rr Sec	7167 967	7133 620	7133 620	
	3 Ctr	-	7142 052	-	
	4 Ctr	-	7142 053	7142053 x 2	
	5 Ctr	7142054 x 3	7142054 x 2	7142054 x 2	
	Jkt 1	7133 630	7133 631	7133 632	
	Jkt 2	7517 006	7237 921	7237 923	
	Jkt 3	7133 633	7133 634	7133 634	
	Header	7133 637	7133 637	7133 637	
	Inst Fittings	7133 636	7133 636	7133 636	
	AccessPk	7223 782	7305 112	7305 111	
	sm BrnrPl	7133 615	-	-	
		Unassembled Cast-Iron Block, large Burner Plate			
Level 0	Price List	RL58610	RL59110	RL51081	
Level 1	Fr/Rr Sec	7167 967	7133 621	7133 621	
	3 Ctr	-	7142 052	-	
	4 Ctr	-	7142 053	7142053 x 2	
	5 Ctr	7142054 x 3	7142054 x 2	7142054 x 2	
	Jkt 1	7133 630	7133 631	7133 632	
	Jkt 2	7517 006	7237 921	7237 923	
	Jkt 3	7133 633	7133 634	7133 634	
	Header	7133 637	7133 637	7133 637	
	Inst Fittings	7133 636	7133 636	7133 636	
	AccessPk	7223 782	7305 112	7305 111	
	lg BrnrPl	7133 618	-	-	

continued

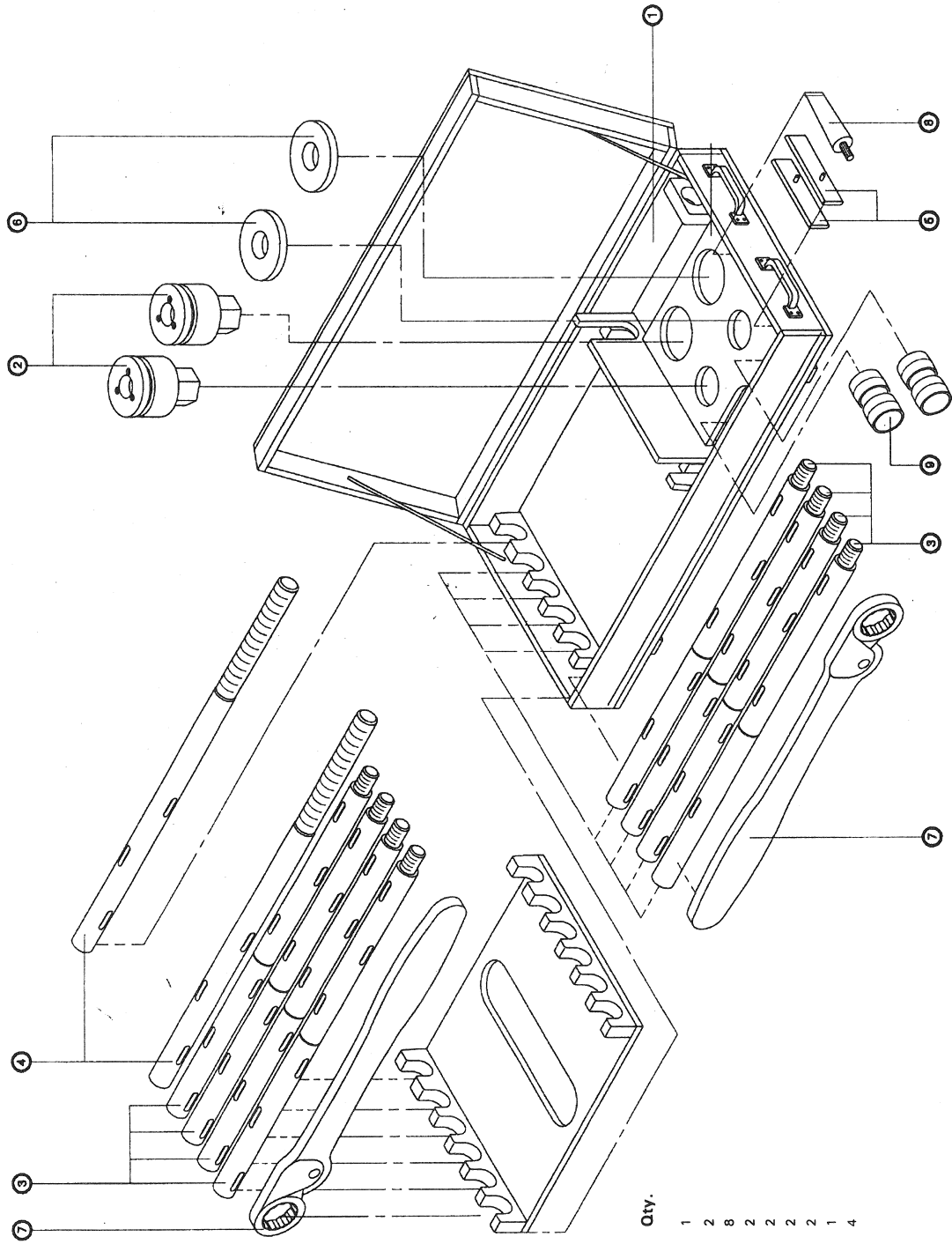
Randomat	RMT 860	RMT 910	RMT 1080	
General Info	Price List / Product Cat. Section: 7.3 Series Name: Randomat (6/1996 - 7/2003) Accurate as of: 07/01/2012			
Shipping Overview				
Level 0 Price List Level 1 Pump Flange Ball Valve FCV Dual Aq				
Shipping Overview				
Level 0 Price List Level 1 Pump Flange Ball Valve FCV Dual Aq				
Level 0 Price List	100% Boiler Flow Package, 208/3/60 Z001257 Z001258			
Level 1 Pump Flange Valve Flange Actuator	9549 216 9544 466 9544 470 9544 486 9544 483	9560 352 9544 466 9544 469 9544 485 9544 483		
Level 0 Price List	100% Boiler Flow Package, 460/3/60 Z001266 Z001267			
Level 1 Pump Flange Valve Flange Actuator	9560 351 9544 466 9544 470 9544 486 9544 483	9560 353 9544 466 9544 469 9544 485 9544 483		
Level 0 Price List	100% Boiler Flow Package, 575/3/60 Z001275 Z001276			
Level 1 Pump Flange Valve Flange Actuator	9549 871 9544 466 9544 470 9544 486 9544 483	9560 354 9544 466 9544 469 9544 485 9544 483		

VIESSMANN

Parts List

Drawtool Kit
Rondomat 5000
RDO / RK / RL
 Part No. 7305 200

Please file in Service Binder



Contents

Part No.	Qty.
7305 209	1
7305 201	2
7305 202	8
7305 203	2
7305 206	2
5938 015	2
9618 020	2
9590 152	1
5196 668	4

Important!
 Grease threads before using.

VITOCROSSAL 300

Vitocrossal 300	CT3-17	CT3-22	CT3-28	CT3-37	CT3-46	CT3-57	CT3-72	CT3-89	
General Info	Price List Section: 8 Parts Catalog Section: 25 Series Name: CT3 Accurate as of: 07/01/2012								
Shipping Overview									
Level 0	Price List	CT30255	CT30256	CT30257	CT30258	CT30259	CT30260	CT30261	CT30262
Level 1	Shell	7142 356	7142 357	7142 358	7142 359	7142 360	7142 361	7142 362	7142 363
	Jkt 1	7134 440	7134 441	7134 442	7134 443	7134 444	7134 445	7134 446	7134 447
	Jkt 2	7143 449	7143 451	7143 453	7143 455	7143 457	7143 459	7143 461	7143 463
	BrrrPl	7222 516	7222 516	7222 516	7222 517	7222 517	7222 517	7205 908	7205 908
	Inst Fittings	7133 679	7133 679	7133 679	7133 679	7133 679	7133 679	7133 679	7133 679
	PRV	9544 342	9544 342	9544 343	9544 344	9544 344	9544 344	9544 345	9544 346
	The burner plates listed above are undrilled. Please substitute in suitable burner plates below, depending on burner sold.								
Burner Plate Overview									
	Riello	G750/G900		RS28	RS38/50		RS70/100		
		7134 546	7134 546	7134 547	7134 548	7134 548	7134 548	7134 549	7134 549
	Weishaupt	WG30		G3	G3	G5	G5	G7	
		7133 663	7133 663	7133 664	7151 776	7151 776	7151 777	7133 980	7133 667
	Weishaupt linkageless	WG20 / WG30		WG40		WM-G10/3		WM-G10/4	
		7133 663	7133 663	7133 663	7134 797	7134 797	7151 777	7133 980	7134 798
		WM-G20/2 7133 667							

VITOCROSSAL 300

Vitocrossal 300	CT3-17	CT3-22	CT3-28	CT3-37
General Info	Price List Section: 8			
	Parts Catalog Section 25			
	Series Name: CT3 (7/2005 - present)			
	Applies to serials nos. beginning with: 7142356... 7142357... 7142358... 7142359...			
	Accurate as of: 07/01/2012			

Parts List

Please refer to: Parts List

Pos. Description Part Numbers / Price Categories

069	Burner Plate	7222 516 ^{Other}	7222 516 ^{Other}	7222 516 ^{Other}	7222 517 ^{Other}
070	Comb. Chamber Door	7813 691 ⁴⁹	7813 691 ⁴⁹	7813 691 ⁴⁹	7829 009 ⁶²
071	Gasket GF 9 x 7 x L = 2000	7820 852 ⁹	7820 852 ⁹	7820 852 ⁹	7820 852 ⁹
072	Support Bracket	7816 327 ⁹	7816 327 ⁹	7816 327 ⁹	7816 328 ¹³
073	Gasket GF 20 x 15 x L = 2000	7820 884 ¹⁰	7820 884 ¹⁰	7820 884 ¹⁰	7820 884 ¹⁰
074 ^{*1}	Comb.Chbr.Dr.Refr.	7812 277 ²⁹	7812 277 ²⁹	7812 277 ²⁹	7812 269 ²⁹
075	Insul. Blanket	7810 458 ⁷	7810 458 ⁷	7810 458 ⁷	7810 459 ⁹
076	Bolt	7818 414 ⁵	7818 414 ⁵	7818 414 ⁵	7818 415 ⁵
077	Gasket GF 30 x 20 x L = 2000	7220 871 ¹⁷	7220 871 ¹⁷	7220 871 ¹⁷	7220 871 ¹⁷
080	Counter Flange DN32	7220 498 ¹²	7220 498 ¹²	7220 458 ¹¹	7220 458 ¹¹
081	Gasket DN32 PN6	7820 965 ⁴	7820 965 ⁴	7815 439 ³	7815 439 ³
082	Gasket DN40 PN6	7815 438 ³	7815 438 ³	7815 438 ³	7815 439 ³
083	Counter Flange	7220 458 ¹¹	7220 458 ¹¹	7220 458 ¹¹	7812 136 ¹²
084	Gasket DN50 PN6	7815 439 ³	7815 439 ³	7815 439 ³	7815 441 ⁵
086	Counter Flange	7812 133 ¹³	7812 133 ¹³	7812 136 ¹²	7812 138 ¹⁵
087	Gasket	7815 440 ⁴	7815 440 ⁴	7815 441 ⁵	7815 442 ⁵
090	Condensate Pan	7818 400 ⁶⁴	7818 401 ⁶⁶	7818 402 ⁶⁷	7818 403 ⁶⁹
091	Cover f Condensate Pan	7810 760 ¹³	7810 760 ¹³	7810 760 ¹³	7810 760 ¹³
092 ^{*1}	Cleanout Gskt w Sealant	Z006705 ^{Kit}	Z006705 ^{Kit}	Z006705 ^{Kit}	Z006705 ^{Kit}
093	Retaining Clip	7818 430 ⁴	7818 430 ⁴	7818 430 ⁴	7818 430 ⁴
094 ^{*2}	Condensate Pan Gskt w Sealant	Z002714 ^{Kit}	Z002714 ^{Kit}	Z002714 ^{Kit}	Z002714 ^{Kit}
095	Sight Glass, VSB w Glass,Cap,Nipple,Gskt	7071 438 ¹⁴	7071 438 ¹⁴	7071 438 ¹⁴	7071 438 ¹⁴
096	Hose Nipple 1/4"	7816 212 ⁵	7816 212 ⁵	7816 212 ⁵	7816 212 ⁵
097	Sight Glass Cap	7814 675 ⁸	7814 675 ⁸	7814 675 ⁸	7814 675 ⁸
098	Sight Glass c/w Gasket	7811 837 ⁵	7811 837 ⁵	7811 837 ⁵	7811 837 ⁵
099	Plastic Hose, 800mm	7810 029 ⁴	7810 029 ⁴	7810 029 ⁴	7810 029 ⁴
200	Insulation Blkt-front, top	7827 299 ¹⁴	7827 299 ¹⁴	7827 299 ¹⁴	7827 305 ¹⁴
201	Insulation Blkt-front, btm	5134 365 ¹³	5136 105 ¹³	5136 105 ¹³	7827 304 ¹⁴
202	Insulation Blkt-rear, top	5136 309 ¹⁴	5136 309 ¹⁴	5136 301 ¹⁴	7827 292 ¹³
203	Insulation Blkt-rear, btm	5134 366 ¹³	7827 293 ¹³	7827 293 ¹³	7827 303 ¹⁴
206	Spacer Bolt, top	5104 717 ³	5104 717 ³	5104 717 ³	5104 717 ³
207	Spacer Bolt, front/rear	5135 676 ⁷	5135 676 ⁷	5135 676 ⁷	5135 676 ⁷
208	Front Panel, top	7147 959 ²⁸	7147 959 ²⁸	7147 959 ²⁸	7827 238 ³⁰
209	Front Panel, middle	7827 236 ³¹	7827 237 ³¹	7827 237 ³¹	7147 977 ³¹
210	Front Panel, bottom	7827 234 ¹⁹	7827 234 ¹⁹	7827 234 ¹⁹	7827 233 ²⁰
211	Rear Panel, top	7147 906 ²⁶	7147 906 ²⁶	7147 906 ²⁶	7827 172 ²⁸
214	Side Panel, bottom	5276 477 ²⁰	5276 482 ²⁰	7827 243 ²¹	5276 489 ²¹
215	Side Panel, top	7147 965 ²¹	7147 971 ²¹	7147 974 ²¹	7147 982 ²²
216	Side Panel (Left/Right)	7147 907 ²³	7147 908 ²⁴	7147 909 ²⁴	7147 903 ²⁵
217	Lamellar Panel-btm rht	7827 186 ²⁰	7827 186 ²⁰	7827 186 ²⁰	5276 435 ²⁰
220	Lamellar Panel-btm left	7827 187 ¹⁹	7827 187 ¹⁹	7827 187 ¹⁹	5276 434 ¹⁹
221	Cover, Round Access	7819 532 ⁴	7819 532 ⁴	7819 532 ⁴	7819 532 ⁴
222	Strain Relief (6-Channel)	7306 566 ⁵	7306 566 ⁵	7306 566 ⁵	7306 566 ⁵
223	Console Casing-Rear	7148 359 ¹⁹	7148 359 ¹⁹	7148 359 ¹⁹	7148 359 ¹⁹
224	Console Case-Front	7816 697 ¹⁹	7816 697 ¹⁹	7816 697 ¹⁹	7816 697 ¹⁹

VITOCROSSAL 300

Vitocrossal 300	CT3-17	CT3-22	CT3-28	CT3-37
General Info	Price List Section: 8			
	Parts Catalog Section 25			
	Series Name: CT3 (7/2005 - present)			
	Applies to serials nos. beginning with: 7142356... 7142357... 7142358... 7142359...			
	Accurate as of: 07/01/2012			

Parts List

Please refer to: Parts List
Pos. Description

Part Numbers / Price Categories

228	Insulation Blkt-front	7827 289 ²¹	7827 289 ²¹	7827 289 ²¹	7827 291 ²²
229	Insulation Blkt-rear	5134 482 ²⁵	7827 295 ²⁶	5134 368 ²⁵	7827 300 ²⁹
230	Retaining Bracket, Rear	7238 790 ¹²	7238 790 ¹²	7238 790 ¹²	7238 792 ¹²
231	Mounting Bracket, Front	7238 791 ¹⁴	7238 791 ¹⁴	7238 791 ¹⁴	7238 791 ¹⁴
232	Rear Panel, right	7147 962 ²³	7147 968 ²⁴	7147 968 ²⁴	7147 979 ²⁴
					continued
233	Rear Panel, left	7147 964 ²³	7147 970 ²³	7147 973 ²³	7147 981 ²⁴
234	Lamellar Panel-ctr left	7147 997 ²²	7148 000 ²²	7148 004 ²²	7148 008 ²³
235	Lamellar Panel-ctr right	7147 996 ²²	7148 026 ²²	7148 003 ²²	7148 007 ²³
236	Coverplate	5276 423 ⁹	5276 423 ⁹	5276 423 ⁹	5276 424 ⁹
237	Lamellar Panel-top left	7147 995 ²²	7147 999 ²³	7148 002 ²³	7148 006 ²⁴
238	Lamellar Panel-top right	7147 994 ²²	7147 998 ²³	7148 001 ²³	7148 005 ²⁴
300	Access. Pack (Insulation)	7149 291 ¹⁶	7149 291 ¹⁶	7149 291 ¹⁶	7149 291 ¹⁶
301	Install. Instr.	5285 873 ^L	5285 873 ^L	5285 873 ^L	5285 873 ^L
302	Service Instr.	5285 875 ^L	5285 875 ^L	5285 875 ^L	5285 875 ^L
303	Access. Pack (Levelling Bolts)	7220 457 ⁵	7220 457 ⁵	7220 457 ⁵	7220 457 ⁵
304 ^{*1}	Dirko Sealing Compound HT, 90g	7815 128 ¹³	7815 128 ¹³	7815 128 ¹³	7815 128 ¹³
305	Access. Pack (Door Bolts) VSB (Set of 4)	7220 585 ⁴	7220 585 ⁴	7220 585 ⁴	7220 585 ⁴
306	Insulation, Burner Blast Tube	7159 687 ⁶	7159 687 ⁶	7159 687 ⁶	7159 687 ⁶
307 ^{*3}	Dirko Sealing Compound HT (Tube 310ml)	7815 128 ¹³	7815 128 ¹³	7815 128 ¹³	7815 128 ¹³
308	Parts List	5285 876 ^L	5285 876 ^L	5285 876 ^L	5285 876 ^L
400	Safety Header VBC, RN, VSB	7133 199 ²³	7133 199 ²³	7133 199 ²³	7133 199 ²³
401	Air Vent w Shut-off Base	9542 941 ⁸	9542 941 ⁸	9542 941 ⁸	9542 941 ⁸
402	Low Water Cutoff Model 550 w Man. Res	9544 357 ³³	9544 357 ³³	9544 357 ³³	9544 357 ³³
403	Press. Gage, 0-60PSI 4" 100	9544 358 ²⁰	9544 358 ²⁰	9544 358 ²⁰	9544 358 ²⁰
404	Pr.Rel Valve, 3/4 x 1" 30PSI, Model 740	9544 342 ^{Other}	9544 342 ^{Other}	9544 342 ^{Other}	9544 342 ^{Other}
405 ^{*2}	Terostat-MS 9360 (Tube 310ml)	7823 273 ¹⁶	7823 273 ¹⁶	7823 273 ¹⁶	7823 273 ¹⁶

Notes:

- *1 IMPORTANT Always order sealant 304 with combustion chamber door refractory 074.
- *2 IMPORTANT Always order sealant 405 with condensate pan gasket 094.
- *3 IMPORTANT Always order adhesive 307 if splitting boiler in the field; order 2 tubes.

"n.a." indicates not applicable.

"W" indicates wearing part (service).

"L" indicates literature (no charge).

"Kit" or "Other" indicates that this is not a Price Category item; contact Inside Sales for pricing.

VITOCROSSAL 300

Vitocrossal 300	CT3-46	CT3-57	CT3-72	CT3-89
General Info	Price List Section: 8			
	Parts Catalog Section 25			
	Series Name: CT3 (7/2005 - present)			
	Applies to serials nos. beginning with: 7142360... 7142361... 7142362... 7142363...			
	Accurate as of: 07/01/2012			

Parts List

Please refer to: Parts List

Pos. Description Part Numbers / Price Categories

069	Burner Plate	7222 517 ^{Other}	7222 517 ^{Other}	7205 908 ^{Other}	7205 908 ^{Other}
070	Comb. Chamber Door	7829 009 ⁶²	7829 009 ⁶²	7813 693 ⁶⁰	7813 693 ⁶⁰
071	Gasket GF 9 x 7 x L = 2000	7820 852 ⁹	7820 852 ⁹	7820 852 ⁹	7820 852 ⁹
072	Support Bracket	7816 328 ¹³	7816 328 ¹³	5192 389 ¹⁴	5192 389 ¹⁴
073	Gasket GF 20 x 15 x L = 2000	7820 884 ¹⁰	7820 884 ¹⁰	7820 888 ¹⁶	7820 888 ¹⁶
074 ^{*1}	Comb.Chbr.Dr.Refr.	7812 269 ²⁹	7812 269 ²⁹	7812 351 ³¹	7812 351 ³¹
075	Insul. Blanket	7810 459 ⁹	7810 459 ⁹	7810 459 ⁹	7810 459 ⁹
076	Bolt	7818 415 ⁵	7818 415 ⁵	7818 415 ⁵	7818 415 ⁵
077	Gasket GF 30 x 20 x L = 2000	7220 871 ¹⁷	7220 871 ¹⁷	7220 871 ¹⁷	7220 871 ¹⁷
080	Counter Flange DN32	7220 458 ¹¹	7220 458 ¹¹	7812 133 ¹³	7812 133 ¹³
081	Gasket DN32 PN6	7815 439 ³	7815 439 ³	7815 440 ⁴	7815 440 ⁴
082	Gasket DN40 PN6	7815 439 ³	7815 439 ³	7815 439 ³	7815 439 ³
083	Counter Flange	7812 136 ¹²	7812 136 ¹²	7812 138 ¹⁵	7812 138 ¹⁵
084	Gasket DN50 PN6	7815 441 ⁵	7815 441 ⁵	7815 442 ⁵	7815 442 ⁵
086	Counter Flange	7812 138 ¹⁵	7812 138 ¹⁵	7812 141 ¹⁹	7812 141 ¹⁹
087	Gasket	7815 442 ⁵	7815 442 ⁵	7815 443 ⁶	7815 443 ⁶
090	Condensate Pan	7818 404 ⁷¹	7818 405 ⁷²	7818 406 ⁷³	7818 407 ⁷⁴
091	Cover f Condensate Pan	7810 760 ¹³	7810 760 ¹³	7810 760 ¹³	7810 760 ¹³
092 ^{*1}	Cleanout Gskt w Sealant	Z006705 ^{Kit}	Z006705 ^{Kit}	Z006705 ^{Kit}	Z006705 ^{Kit}
093	Retaining Clip	7818 430 ⁴	7818 430 ⁴	5192 225 ⁵	5192 225 ⁵
094 ^{*2}	Condensate Pan Gskt w Sealant	Z002714 ^{Kit}	Z002714 ^{Kit}	Z002714 ^{Kit}	Z002714 ^{Kit}
095	Sight Glass, VSB w Glass,Cap,Nipple,Gskt	7071 438 ¹⁴	7071 438 ¹⁴	7071 438 ¹⁴	7071 438 ¹⁴
096	Hose Nipple 1/4"	7816 212 ⁵	7816 212 ⁵	7816 212 ⁵	7816 212 ⁵
097	Sight Glass Cap	7814 675 ⁸	7814 675 ⁸	7814 675 ⁸	7814 675 ⁸
098	Sight Glass c/w Gasket	7811 837 ⁵	7811 837 ⁵	7811 837 ⁵	7811 837 ⁵
099	Plastic Hose, 800mm	7810 029 ⁴	7810 029 ⁴	7810 029 ⁴	7810 029 ⁴
200	Insulation Blkt-front, top	7827 305 ¹⁴	7827 305 ¹⁴	5136 074 ¹⁵	5136 074 ¹⁵
201	Insulation Blkt-front, btm	7827 304 ¹⁴	7827 304 ¹⁴	5136 075 ¹³	5136 075 ¹³
202	Insulation Blkt-rear, top	7827 292 ¹³	7827 292 ¹³	5136 073 ¹⁶	5136 073 ¹⁶
203	Insulation Blkt-rear, btm	7827 303 ¹⁴	7827 303 ¹⁴	5136 076 ¹²	5136 076 ¹²
206	Spacer Bolt, top	5104 717 ³	5104 717 ³	5104 717 ³	5104 717 ³
207	Spacer Bolt, front/rear	5135 676 ⁷	5135 676 ⁷	5135 676 ⁷	5135 676 ⁷
208	Front Panel, top	7827 238 ³⁰	7827 238 ³⁰	7147 986 ³⁶	7147 986 ³⁶
209	Front Panel, middle	7147 977 ³¹	7147 977 ³¹	7147 987 ³²	7147 987 ³²
210	Front Panel, bottom	7827 233 ²⁰	7827 233 ²⁰	7147 900 ¹⁹	7147 900 ¹⁹
211	Rear Panel, top	7827 172 ²⁸	7827 172 ²⁸	7147 899 ³¹	7147 899 ³¹
214	Side Panel, bottom	5276 491 ²²	5276 493 ²²	5276 499 ²³	5276 501 ²⁴
215	Side Panel, top	7147 983 ²²	7147 984 ²²	7147 992 ²³	7147 993 ²⁴
216	Side Panel (Left/Right)	7147 904 ²⁶	7147 895 ²⁷	7147 902 ²⁷	7147 901 ²⁸
217	Lamellar Panel-btm rht	5276 435 ²⁰	5276 435 ²⁰	5276 445 ²⁰	5276 445 ²⁰
220	Lamellar Panel-btm left	5276 434 ¹⁹	5276 434 ¹⁹	5276 446 ¹⁹	5276 446 ¹⁹
221	Cover, Round Access	7819 532 ⁴	7819 532 ⁴	7819 532 ⁴	7819 532 ⁴
222	Strain Relief (6-Channel)	7306 566 ⁵	7306 566 ⁵	7306 566 ⁵	7306 566 ⁵
223	Console Casing-Rear	7148 359 ¹⁹	7148 359 ¹⁹	7148 359 ¹⁹	7148 359 ¹⁹
224	Console Case-Front	7816 697 ¹⁹	7816 697 ¹⁹	7816 697 ¹⁹	7816 697 ¹⁹

VITOCROSSAL 300

Vitocrossal 300	CT3-46	CT3-57	CT3-72	CT3-89
General Info	Price List Section: 8			
	Parts Catalog Section: 25			
	Series Name: CT3 (7/2005 - present)			
	Applies to serials nos. beginning with: 7142360... 7142361... 7142362... 7142363...			
	Accurate as of: 07/01/2012			

Parts List

Please refer to: Parts List
Pos. Description

Part Numbers / Price Categories

Pos.	Description	7827 291 ²²	7827 291 ²²	5136 072 ²²	5136 072 ²²
228	Insulation Blkt-front	7827 291 ²²	7827 291 ²²	5136 072 ²²	5136 072 ²²
229	Insulation Blkt-rear	5134 171 ²⁷	7827 302 ²⁸	5136 138 ²⁷	5136 071 ²⁸
230	Retaining Bracket, Rear	7238 792 ¹²	7238 792 ¹²	7238 794 ¹³	7238 794 ¹³
231	Mounting Bracket, Front	7238 791 ¹⁴	7238 791 ¹⁴	7238 793 ¹⁴	7238 793 ¹⁴
232	Rear Panel, right	7147 979 ²⁴	7147 979 ²⁴	7147 989 ²⁵	7147 989 ²⁵
					continued
233	Rear Panel, left	7147 981 ²⁴	7147 981 ²⁴	7147 991 ²⁵	7147 991 ²⁵
234	Lamellar Panel-ctr left	7148 012 ²³	7148 016 ²⁴	7148 020 ²⁵	7148 024 ²⁵
235	Lamellar Panel-ctr right	7148 011 ²³	7148 015 ²⁴	7148 019 ²⁵	7148 023 ²⁵
236	Coverplate	5276 424 ⁹	5276 424 ⁹	5276 441 ⁹	5276 441 ⁹
237	Lamellar Panel-top left	7148 010 ²⁴	7148 014 ²⁴	7148 018 ²⁵	7148 022 ²⁶
238	Lamellar Panel-top right	7148 009 ²⁴	7148 013 ²⁴	7148 017 ²⁵	7148 021 ²⁶
300	Access. Pack (Insulation)	7149 291 ¹⁶	7149 291 ¹⁶	7149 291 ¹⁶	7149 291 ¹⁶
301	Install. Instr.	5285 873 ^L	5285 873 ^L	5285 873 ^L	5285 873 ^L
302	Service Instr.	5285 875 ^L	5285 875 ^L	5285 875 ^L	5285 875 ^L
303	Access. Pack (Levelling Bolts)	7220 457 ⁵	7220 457 ⁵	7220 457 ⁵	7220 457 ⁵
304 ^{*1}	Dirko Sealing Compound HT, 90g	7815 128 ¹³	7815 128 ¹³	7815 128 ¹³	7815 128 ¹³
305	Access. Pack (Door Bolts) VSB (Set of 4)	7220 585 ⁴	7220 585 ⁴	7220 585 ⁴	7220 585 ⁴
306	Insulation, Burner Blast Tube	7159 687 ⁶	7159 687 ⁶	7159 687 ⁶	7159 687 ⁶
307 ^{*3}	Dirko Sealing Compound HT (Tube 310ml)	7815 128 ¹³	7815 128 ¹³	7815 128 ¹³	7815 128 ¹³
308	Parts List	5285 876 ^L	5285 876 ^L	5285 876 ^L	5285 876 ^L
400	Safety Header VBC, RN, VSB	7133 199 ²³	7133 199 ²³	7133 199 ²³	7133 199 ²³
401	Air Vent w Shut-off Base	9542 941 ⁸	9542 941 ⁸	9542 941 ⁸	9542 941 ⁸
402	Low Water Cutoff Model 550 w Man. Res	9544 357 ³³	9544 357 ³³	9544 357 ³³	9544 357 ³³
403	Press. Gage, 0-60PSI 4" 100	9544 358 ²⁰	9544 358 ²⁰	9544 358 ²⁰	9544 358 ²⁰
404	Pr.Rel Valve, 3/4 x 1" 30PSI, Model 740	9544 342 ^{Other}	9544 342 ^{Other}	9544 342 ^{Other}	9544 342 ^{Other}
405 ^{*2}	Terostat-MS 9360 (Tube 310ml)	7823 273 ¹⁶	7823 273 ¹⁶	7823 273 ¹⁶	7823 273 ¹⁶

Notes:

- *1 IMPORTANT Always order sealant 304 with combustion chamber door refractory 074.
- *2 IMPORTANT Always order sealant 405 with condensate pan gasket 094.
- *3 IMPORTANT Always order adhesive 307 if splitting boiler in the field; order 2 tubes.

"n.a." indicates not applicable.

"W" indicates wearing part (service).

"L" indicates literature (no charge).

"Kit" or "Other" indicates that this is not a Price Category item; c

VITOCROSSAL 300 CT3 Series

Model No. Serial No. *1
CT3-17 7142356□□□□□□
to
CT3-89 7142363□□□□□□

Ordering Replacement Parts:

Please provide boiler Model and Serial Number from rating plate when ordering replacement parts. Order replacement components from your Viessmann distributor.

Parts

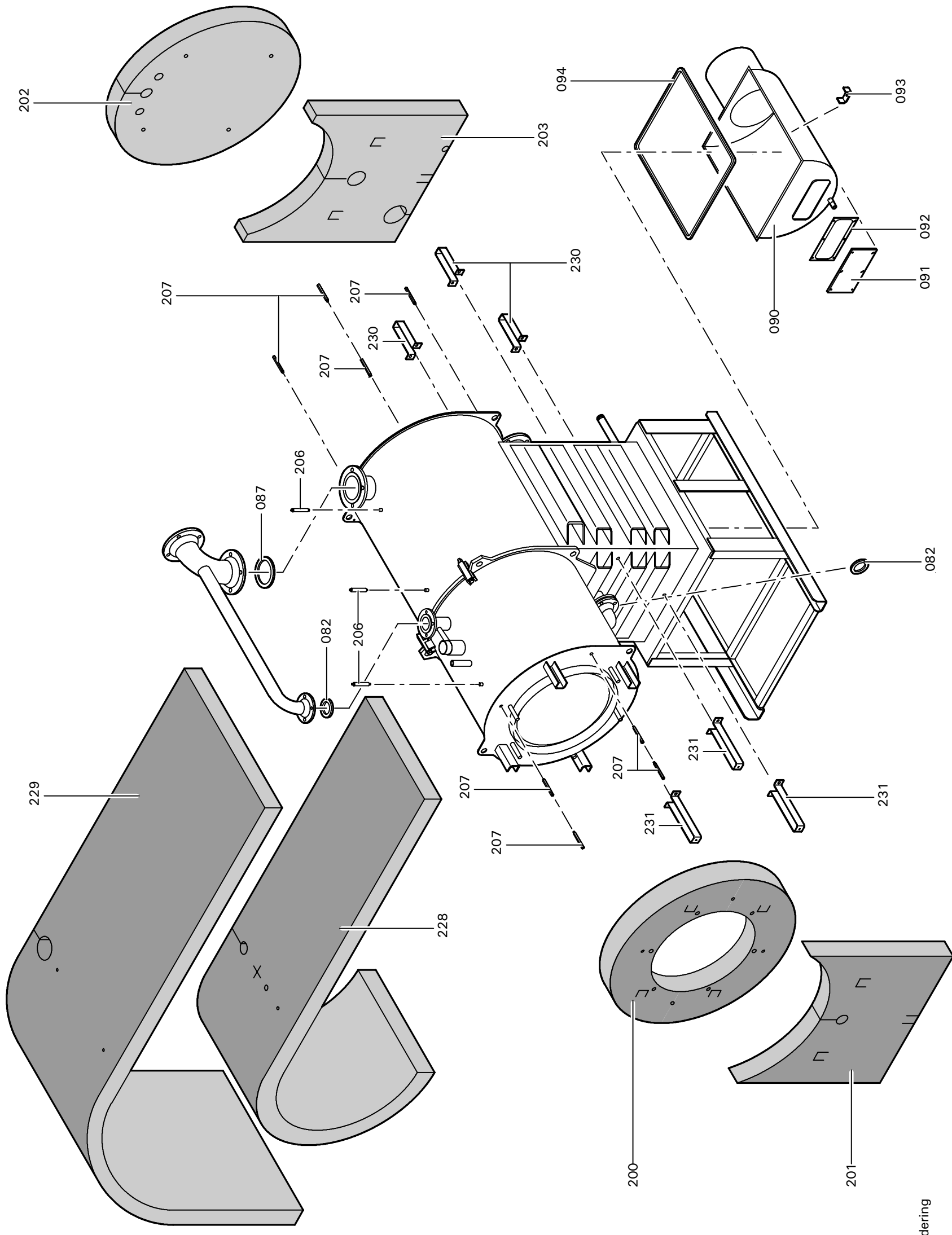
- 082 Gasket, PN6
- 087 Gasket, PN6
- 090 Condensate pan (with items 091, 092 and 094)
- 091 Cover for condensate pan
- 092 Cleanout gasket (order with 304 sealant)
- 093 Retaining clip
- 094 Condensate pan gasket (order with 405 sealant)
- 200 Insulation blanket-front, top
- 201 Insulation blanket-front, bottom
- 202 Insulation blanket-rear, top
- 203 Insulation blanket-rear, bottom
- 206 Spacer bolt, top
- 207 Spacer bolt, front/rear
- 228 Insulation blanket-front
- 229 Insulation blanket-rear
- 230 Mounting bracket, rear
- 231 Mounting bracket, front

Other Parts (not illustrated)

- 300 Access. pack (insulation)
- 301 Installation Instructions
- 302 Service Instructions
- 303 Access. pack (leveling bolts)
- 304 Dirko sealing compound HT, 90g
- 305 Accessory pack (door bolts, set of 4)
- 306 Insulation, burner blast tube
- 307 Dirko sealing compound HT (tube 310ml)
- 308 Parts List
- 400 Safety header
- 401 Air vent with shut-off base
- 402 Low water cutoff model 550 with manual reset
- 403 Pressure gage, 0-60psi
- 404 Pressure relief valve, 30 psig
- 405 Terostat-MS 9360 (tube 310ml)

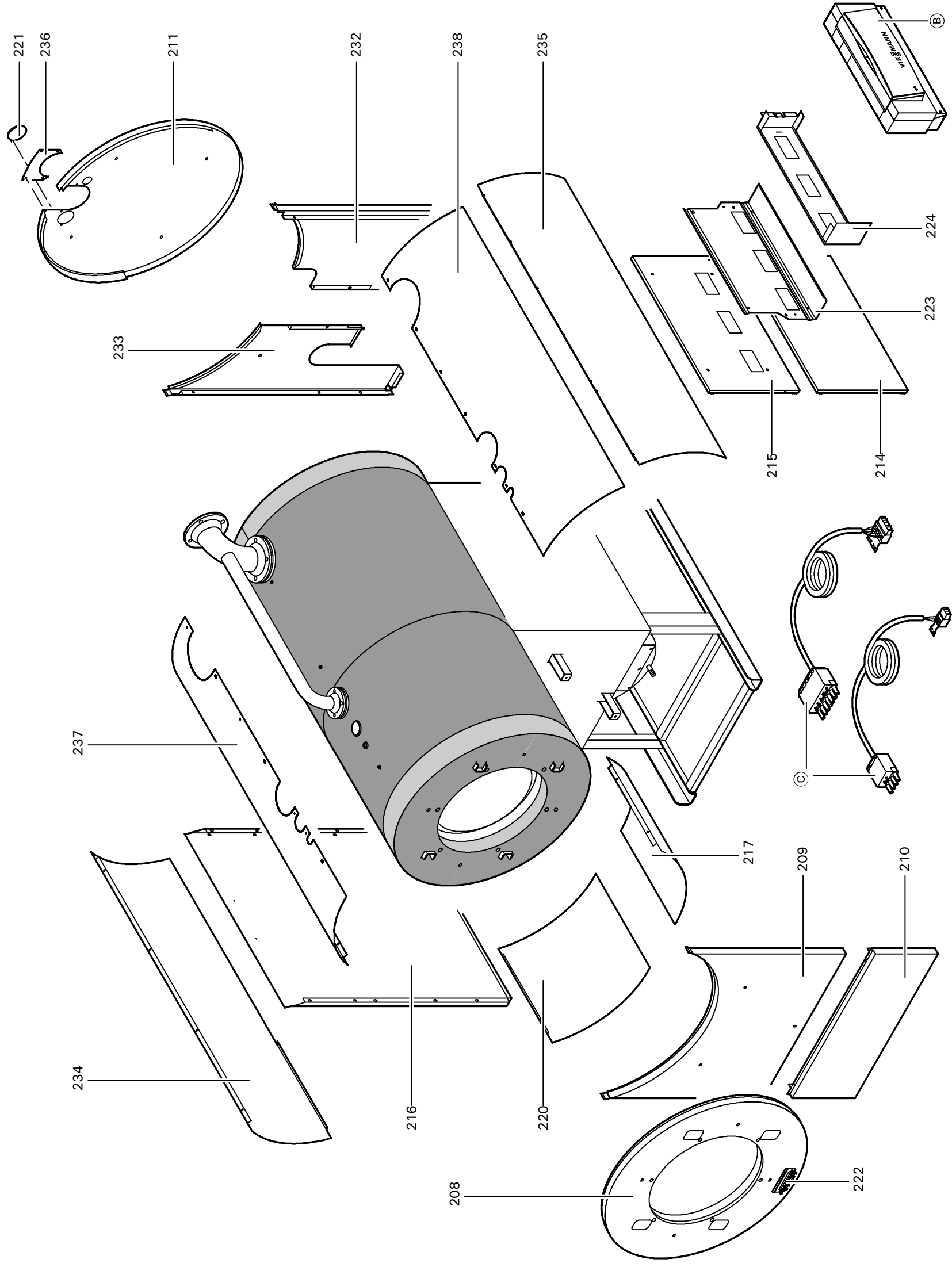
*1 This boiler has 2 rating plates.

A 16-digit bar-coded serial no. is printed on the Viessmann rating plate - use this serial no. for ordering replacement parts.

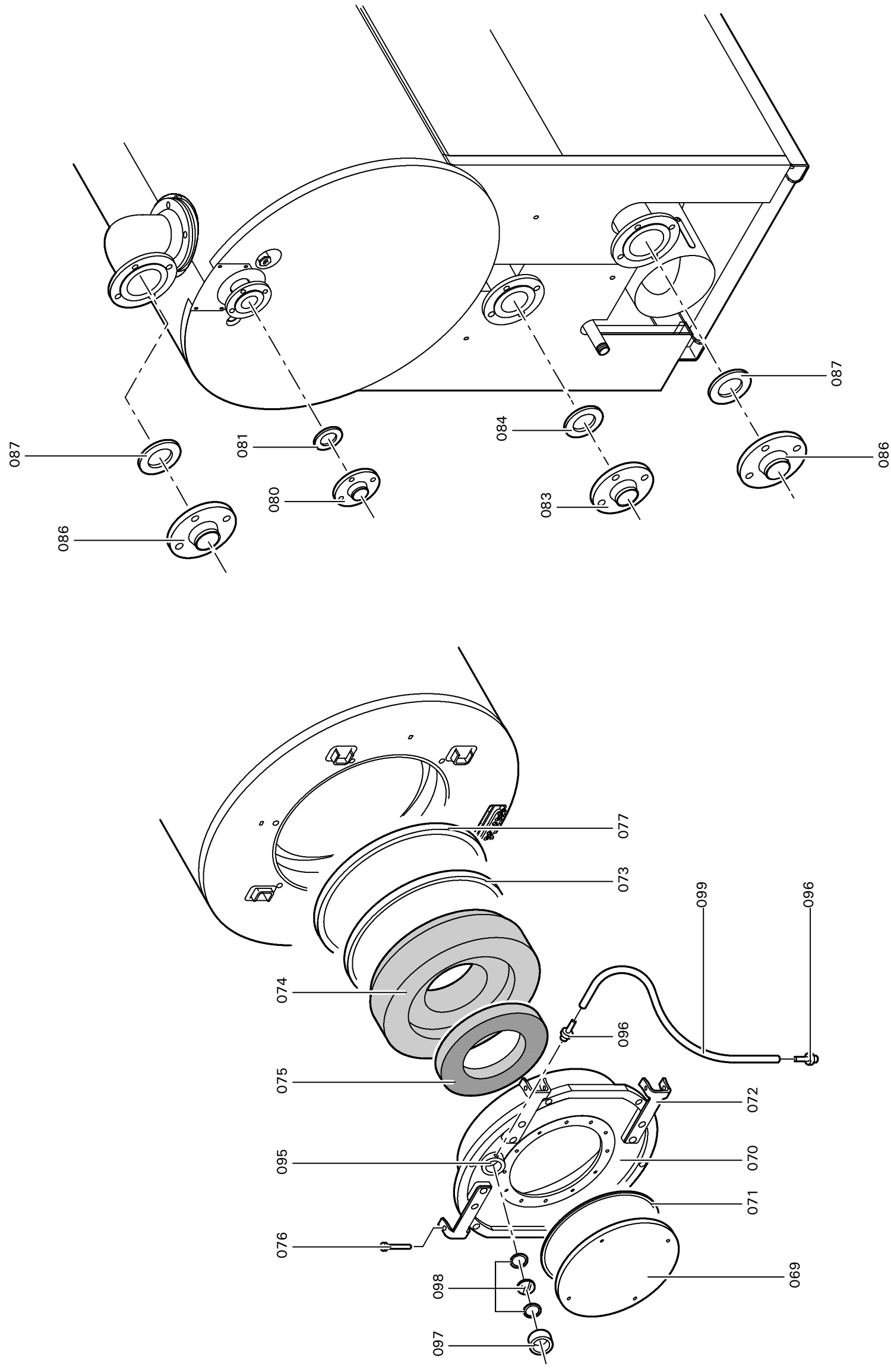


- Parts**
- 208 Front panel, top
 - 209 Front panel, middle
 - 210 Front panel, bottom
 - 211 Rear panel, top
 - 214 Side panel, bottom
 - 215 Side panel, top
 - 216 Side panel (left/right)
 - 217 Lamellar panel-bottom right
 - 220 Lamellar panel-bottom left
 - 221 Cover, round access
 - 222 Strain relief (6-channel)
 - 223 Console casing-rear
 - 224 Console case-front
 - 232 Rear panel, right
 - 233 Rear panel, left
 - 234 Lamellar panel-center left
 - 235 Lamellar panel-center right
 - 236 Cover plate
 - 237 Lamellar panel-top left
 - 238 Lamellar panel-top right

- (A) Rating plate
(a 16-digit bar-coded serial no. is printed on the Viessmann rating plate)
- (B) Boiler control
(see separate parts list)
- (C) Burner cable
(may not be exactly as illustrated)



- Parts**
- 069 Burner plate
 - 070 Combustion chamber door
 - 071 Glass fiber gasket 9 x 7 x l = 2000mm
 - 072 Support bracket
 - 073 Glass fiber gasket 20 x 15 x l = 2000mm
 - 074 Combustion chamber door refractory (order with 304 sealant)
 - 075 Insulation blanket
 - 076 Bolt
 - 077 Glass fiber gasket 30 x 20 x l = 2000mm
 - 080 Counter flange
 - 081 Gasket, PN6
 - 083 Counter flange
 - 084 Gasket, PN6
 - 086 Counter flange
 - 087 Gasket, PN6
 - 095 Sight glass (glass, cap, nipple, gasket)
 - 096 Barbed hose nipple 1/4"
 - 097 Sight glass cap
 - 098 Sight glass with gaskets
 - 099 Plastic hose, 800mm



Vertomat	VSB-08	VSB-10	VSB-13	
General Info	Price List / Product Cat. Section: 8.1 Series Name: Vertomat (6/1997 - 7/2005) 07/01/2012			
Shipping Overview				
Level 0	Price List	VSB0800	VSB1050	VSB1300
Level 1	Shell	7223 352	7223 353	7223 354
	Jkt	7133 658	7133 659	7133 660
	BrnrPl	7133 656	7133 656	7133 663
	Console	7332 819	7332 819	7332 819
	Inst Fittings	7133 649	7133 649	7133 649
	PRV	9544 342	9544 342	9544 342

Vertomat	VSB-17	VSB-22	VSB-28	VSB-37	VSB-46	VSB-57	VSB-72	VSB-89	
General Info	Price List Section:		8						
	Parts Catalog Section:		25		(6/1997 - 7/2005)				
	Series:								
	Accurate as of:		07/01/2012						
Shipping Overview									
Level 0	Price List	VSB1700	VSB2200	VSB2800	VSB3700	VSB4600	VSB5700	VSB7200	VSB8900
Level 1	Shell	7223 355	7223 356	7223 357	7223 358	7223 359	7223 360	7223 361	7223 362
	Jkt 1	7133 670	7133 671	7133 672	7133 673	7133 674	7133 675	7133 676	7133 677
	Jkt 2	7516 756	7516 758	7516 760	7516 762	7516 764	7516 766	7516 768	7516 770
	BrnrPI	7133 663	7133 663	7133 664	7133 665	7133 665	7133 666	7133 667	7133 667
	Console	7332 819	7332 819	7332 819	7332 819	7332 819	7332 819	7332 819	7332 819
	Inst Fittings	7133 679	7133 679	7133 679	7133 679	7133 679	7133 679	7133 679	7133 679
	PRV	9544 342	9544 342	9544 343	9544 344	9544 344	9544 344	9544 345	9544 346

Commercial Auxiliary Equipment

Valves						
General Info		Price List Section:	8.5			
		Parts Catalog Section	26		(6/1997 -)	
		Accurate as of:	07/01/2012			
Shipping Overview		4-Way Mixing Valves				
Level 0	Price List	Z001190	Z001191	Z001 277	Z001192	Z001193
Level 1	Sensor #2	7183 288	7183 288	7183 288	7183 288	7183 288
	Valve	9549 217	9549 219	9549 784	9549 220	9549 226
	Flange	9549 218	9549 221	9544 483	9549 222	9549 227
		3-Way Mixing Valves				
Level 0	Price List	Z001194	Z001195	Z001196	Z001197	Z001198
Level 1	Actuator	7183 288	7183 288	7183 288	7183 288	7183 288
	Valve	9544 471	9544 468	9544 467	9544 470	9544 469
	Flange	9544 475	9544 481	9544 482	9544 486	9544 485
		Isolation Valves				
Level 0	Price List	Z001124	Z001125	Z001126	Z001199	Z001184
Level 1	Ball Valve	9543 816	9543 817	9543 818	9549 763	9549 765
	Flange	9543 840	9543 838	9543 839	9549 715	9549 265
	Actuator	9543 819	9543 820	9543 820	9549 764	9549 766
	Mtg Kit	9560 200	9560 201	9560 201	9560 202	9560 203

Vitotronic 100	7134 553 7134 554		7134 553 7134 554 7511 361	
-----------------------	------------------------------------	--	---	--

General Info	Price List Section:	7 & 8		
	Parts Catalog Section	27		
	Series Name:	GC1 (NR2)	(08/2005 - present)	
	Applies to serials nos. beginning with:	7143003..., 7187096	7248247..., 7511571...	
	As at:	09/28/2012		

Parts List

Please refer to: Parts List
Pos. Description

Part Numbers / Price Categories

Pos.	Description	Part Numbers / Price Categories	Part Numbers / Price Categories	Part Numbers / Price Categories
001	Hinges	7820 180 ³		7820 180 ³
002	Optic Link	n.a. ^{n.a.}		n.a. ^{n.a.}
004	AHL Knob	7819 309 ³		7819 309 ³
005	Fixed High Limit Cover	7819 310 ³		7819 310 ³
006	Dial-Stop 110°C/230°F	7820 364 ³		7820 364 ³
008	Support Arm	7820 175 ⁵		7820 175 ⁵
011	Safety Module (wired)	7820 172 ²⁴		7820 172 ²⁴
013	Front Housing	7820 177 ¹²		7820 177 ¹²
014	Circuit Board Enclosure	7820 173 ¹⁰		7820 173 ¹⁰
015	Flip-Down Cover	7820 181 ¹⁰		7820 181 ¹⁰
016	Rear Housing	n.a. ^{n.a.}		n.a. ^{n.a.}
018	Programming Unit	7823 990 ²⁴		7823 990 ²⁴
024	Fuse Holder Cover	7819 313 ³		7819 313 ³
025	Fuse Holder	7819 312 ⁴		7819 312 ⁴
030	Fixed High Limit, 3510mm	9527 410 ¹³		7837 112 ¹¹
031	Adj. High Limit	7817 531 ¹⁴		7817 531 ¹⁴
037	Switch, 1-Pole (FHL Test)	7819 314 ⁷		7819 314 ⁷
038	Switch, 2-Pole (Power On/Off)	7819 315 ⁷		7819 315 ⁷
042	Sensor #3 (Boiler)	7450 632 ²⁰		7450 632 ²⁰
043	Sensor #5 (DHW)	7450 633 ¹⁹		7450 633 ¹⁹
049	Motherboard (ctl, low voltage)	7820 290 ²³		7820 290 ²³
050	Circuit Board (ctl software)	7828 193 ²²		7828 193 ²²
051	Diagnostics Module (Optolink)	7820 165 ¹⁰		7820 165 ¹⁰
052	Motherboard (ctl, line voltage)	7165 792 ¹⁹		7165 792 ¹⁹
054	Circuit Board (120V pwr supply)	7823 991 ²²		7823 991 ²²
055	Communication Module, 2-Wire BUS	7143 710 ²²		7143 710 ²²
056	LON Module	7172 173 ³⁰		7172 173 ³⁰
060	Access. Pack (Plugs)	7820 849 ^D		7820 849 ^D
061	Coding Plug for Vitocrossal 200, CM2	n.a. ^{n.a.}		7820 145 ⁷
062	Coding Plug for Vitorond 200, VD2A / VD2	7820 142 ⁷		7820 142 ⁷
063	Coding Plug for Vitocrossal 300, CT3	7820 144 ⁷		7820 144 ⁷
065	Burner Cable Nr.41/90 I=3470	7147 018 ¹⁴		7147 018 ¹⁴
067	Sensor (Immersion, NI500)	7450 641 ²¹		7450 641 ²¹
068	Sensor #2 (Strap-On w Cable)	7183 288 ¹⁹		7183 288 ¹⁹
074	Harness f Prog.Unit	7820 412 ⁵		7820 412 ⁵

continued

VITOTRONIC 100

GC1

Vitotronic 100	7134 553 7134 554		7134 553 7134 554 7511 361	
-----------------------	------------------------------------	--	---	--

General Info	Price List Section:	7 & 8		
	Parts Catalog Section	27		
	Series Name:	GC1 (NR2)	(08/2005 - present)	
	Applies to serials nos. beginning with:	7143003..., 7187096	7248247..., 7511571...	
	As at:	09/28/2012		

Parts List

Please refer to: Parts List
Pos. Description

Part Numbers / Price Categories

Pos.	Description	Part Numbers / Price Categories
080	Install./Serv. Instr. Vitotronic 100 GC1	5285 938 ^L 5351 338 ^L
081	Operating Instr. Vitotronic 100 GC1	5351 339 ^L 5351 339 ^L
082	Parts List Vitotronic 100 GC1	5285 940 ^L 5285 940 ^L
092 W	Fuse 6.3A / 250V (10 Pack)	7404 365 ⁶ 7404 365 ⁶

Notes:

- "n.a." indicates not applicable.
- "W" indicates wearing part (service).
- "L" indicates literature (no charge).
- "Kit" or "Other" indicates that this is not a Price Category item; contact Inside Sales for pricing.
- "D" indicates discontinued.

Parts List

VIESSMANN

VITOTRONIC 100 GC1 Series

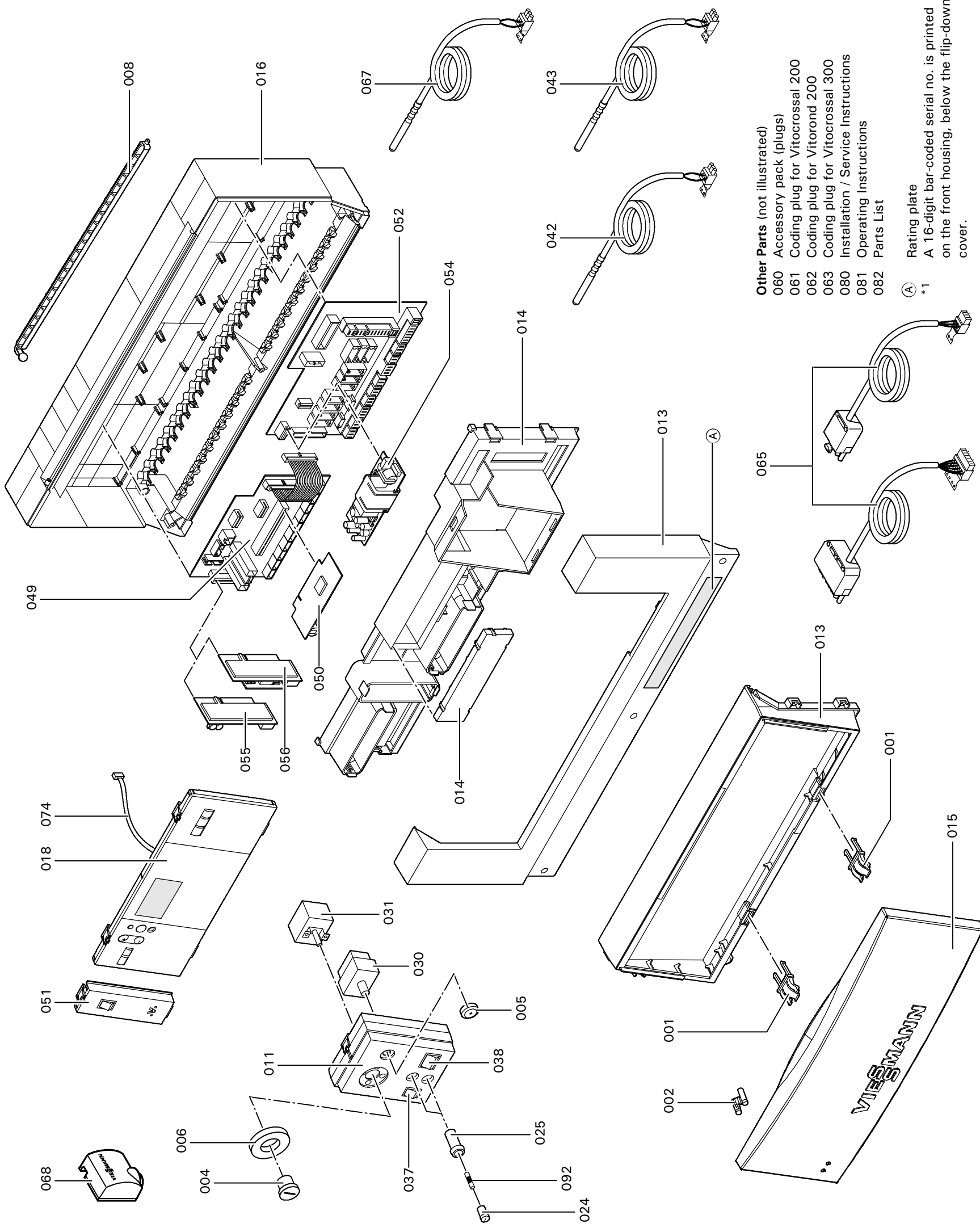
Order No. Serial No. *1
 7134 553, 7134 554 7143003□□□□□□□□□□
 7187096□□□□□□□□□□□□□□
 7248247□□□□□□□□□□□□□□

Ordering Replacement Parts:

Please provide product Model and Serial Number from rating plate when ordering replacement parts. Order replacement components from your Viessmann distributor.

Parts

- 001 Hinges
- 002 Optic link
- 004 Adjustable high limit knob
- 005 Fixed high limit cover
- 006 Dial-stop 110°C/230°F
- 008 Support arm
- 011 Safety module (wired)
- 013 Front housing (with Pos. 001)
- 014 Circuit board enclosure
- 015 Flip-down cover
- 016 Rear housing
- 018 Programming unit
- 024 Fuse holder cover
- 025 Fuse holder
- 030 Fixed high limit
- 031 Adjustable high limit
- 037 Switch, 1-pole (FHL test)
- 038 Switch, 2-pole (power on/off)
- 042 Sensor #3 for boiler
- 043 Sensor #5 for domestic hot water production
- 049 Motherboard (control, low voltage)
- 050 Circuit board (control software)
- 051 Diagnostics module (Optolink)
- 052 Motherboard (control, line voltage)
- 054 Circuit board (120V power supply)
- 055 Communication module, 2-wire BUS
- 056 LON module
- 065 Burner cable Nr. 41/90 l=3470
- 067 Sensor (immersion, NI500)
- 068 Sensor #2 for supply
- 074 Harness for programming unit
- 092 Fuse 6.3A / 250V (10 pack)



- Other Parts (not illustrated)**
- 060 Accessory pack (plugs)
 - 061 Coding plug for Vitocrossal 200
 - 062 Coding plug for Vitotronic 200
 - 063 Coding plug for Vitocrossal 300
 - 080 Installation / Service Instructions
 - 081 Operating Instructions
 - 082 Parts List

(A) Rating plate
 *1 A 16-digit bar-coded serial no. is printed on the front housing, below the flip-down cover.

Vitotronic 300	7134 555 7134 556		7134 555 7134 556 7511 362	
-----------------------	------------------------------------	--	---	--

General Info	Price List Section:	7 & 8		
	Parts Catalog Section	27		
	Series Name:	GW2 (NR2)	(08/2005 - present)	
	Applies to serials nos. beginning with:	7143000..., 7187101...	7248248..., 7511572...	
	As at:	09/28/2012		

Parts List

Please refer to: Parts List
Pos. Description

Part Numbers / Price Categories

Pos.	Description	Part Numbers / Price Categories	Part Numbers / Price Categories	Part Numbers / Price Categories
001	Hinges	7820 180 ³		7820 180 ³
002	Optic Link	n.a. ^{n.a.}		n.a. ^{n.a.}
004	AHL Knob	7819 309 ³		7819 309 ³
005	Fixed High Limit Cover	7819 310 ³		7819 310 ³
006	Dial-Stop 110°C/230°F	7820 364 ³		7820 364 ³
008	Support Arm	7820 175 ⁵		7820 175 ⁵
011	Safety Module (wired)	7820 172 ²⁴		7820 172 ²⁴
013	Front Housing	7820 177 ¹²		7820 177 ¹²
014	Circuit Board Enclosure	7820 173 ¹⁰		7820 173 ¹⁰
015	Flip-Down Cover	7820 181 ¹⁰		7820 181 ¹⁰
016	Rear Housing	n.a. ^{n.a.}		n.a. ^{n.a.}
018	Programming Unit	7823 986 ³¹		7823 986 ³¹
019	Flip-Down Cover	7819 307 ⁵		7819 307 ⁵
020	Front Cover (Htg Circuits)	7818 623 ¹⁰		7818 623 ¹⁰
021	Flat Cable, 14-Pole	7819 320 ⁶		7819 320 ⁶
024	Fuse Holder Cover	7819 313 ³		7819 313 ³
025	Fuse Holder	7819 312 ⁴		7819 312 ⁴
030	Fixed High Limit	9527 410 ¹³		7837 112 ¹¹
031	Adj. High Limit	7817 531 ¹⁴		7817 531 ¹⁴
037	Switch, 1-Pole (FHL Test)	7819 314 ⁷		7819 314 ⁷
038	Switch, 2-Pole (Power On/Off)	7819 315 ⁷		7819 315 ⁷
040	Sensor #1 (Outdoor)	7820 148 ¹⁹		7820 148 ¹⁹
042	Sensor #3 (Boiler)	7450 632 ²⁰		7450 632 ²⁰
043	Sensor #5 (DHW)	7450 633 ¹⁹		7450 633 ¹⁹
047	LON Module	7172 173 ³⁰		7172 173 ³⁰
048	Circuit Board (m.v. exp)	7829 790 ²⁰		7829 790 ²⁰
049	Motherboard (ctl, low voltage)	7820 290 ²³		7820 290 ²³
050	Circuit Board (ctl software)	7828 193 ²²		7828 193 ²²
051	Diagnostics Module (Optolink)	7820 165 ¹⁰		7820 165 ¹⁰
052	Motherboard (ctl, line voltage)	7165 782 ¹⁹		7165 782 ¹⁹
054	Circuit Board (120V pwr supply)	7823 991 ²²		7823 991 ²²
055	Motherboard (m.v. exp)	7820 193 ¹⁹		7820 193 ¹⁹
060	Access. Pack (Plugs)	7820 849 ^D		7820 849 ^D
061	Coding Plug for Vitocrossal 200, CM2	n.a. ^{n.a.}		7820 145 ⁷
062	Coding Plug for Vitorond 200, VD2A / VD2	7820 142 ⁷		7820 142 ⁷
063	Coding Plug for Vitocrossal 300, CT3	7820 144 ⁷		7820 144 ⁷
065	Burner Cable Nr.41/90 I=3470	7147 018 ¹⁴		7147 018 ¹⁴
067	Sensor (Immersion, NI500)	7450 641 ²¹		7450 641 ²¹
068	Sensor #2 (Strap-On w Cable)	7183 288 ¹⁹		7183 288 ¹⁹
074	Harness f Prog.Unit	7820 174 ⁵		7820 174 ⁵ continued

VITOTRONIC 300

GW2

Vitotronic 300	7134 555 7134 556		7134 555 7134 556 7511 362	
-----------------------	------------------------------------	--	---	--

General Info	Price List Section:	7 & 8		
	Parts Catalog Section	27		
	Series Name:	GW2 (NR2)	(08/2005 - present)	
	Applies to serials nos. beginning with:	7143000..., 7187101...	7248248..., 7511572...	
	As at:	09/28/2012		

Parts List

Please refer to: Parts List
Pos. Description

Part Numbers / Price Categories

Pos.	Description	Part Numbers / Price Categories
080	Install./Serv. Instr. Vitotronic 300 GW2	5285 941 ^L
081	Operating Instr. Vitotronic 300 GW2	5285 942 ^L
082	Parts List Vitotronic 300 GW2	5285 943 ^L 5285 943 ^L
092 W	Fuse 6.3A / 250V (10 Pack)	7404 365 ⁶ 7404 365 ⁶

Notes:

- "n.a." indicates not applicable.
- "W" indicates wearing part (service).
- "L" indicates literature (no charge).
- "Kit" or "Other" indicates that this is not a Price Category item; contact Inside Sales for pricing.
- "D" indicates discontinued.

Parts List

VIESSMANN

VITOTRONIC 300 GW2 Series

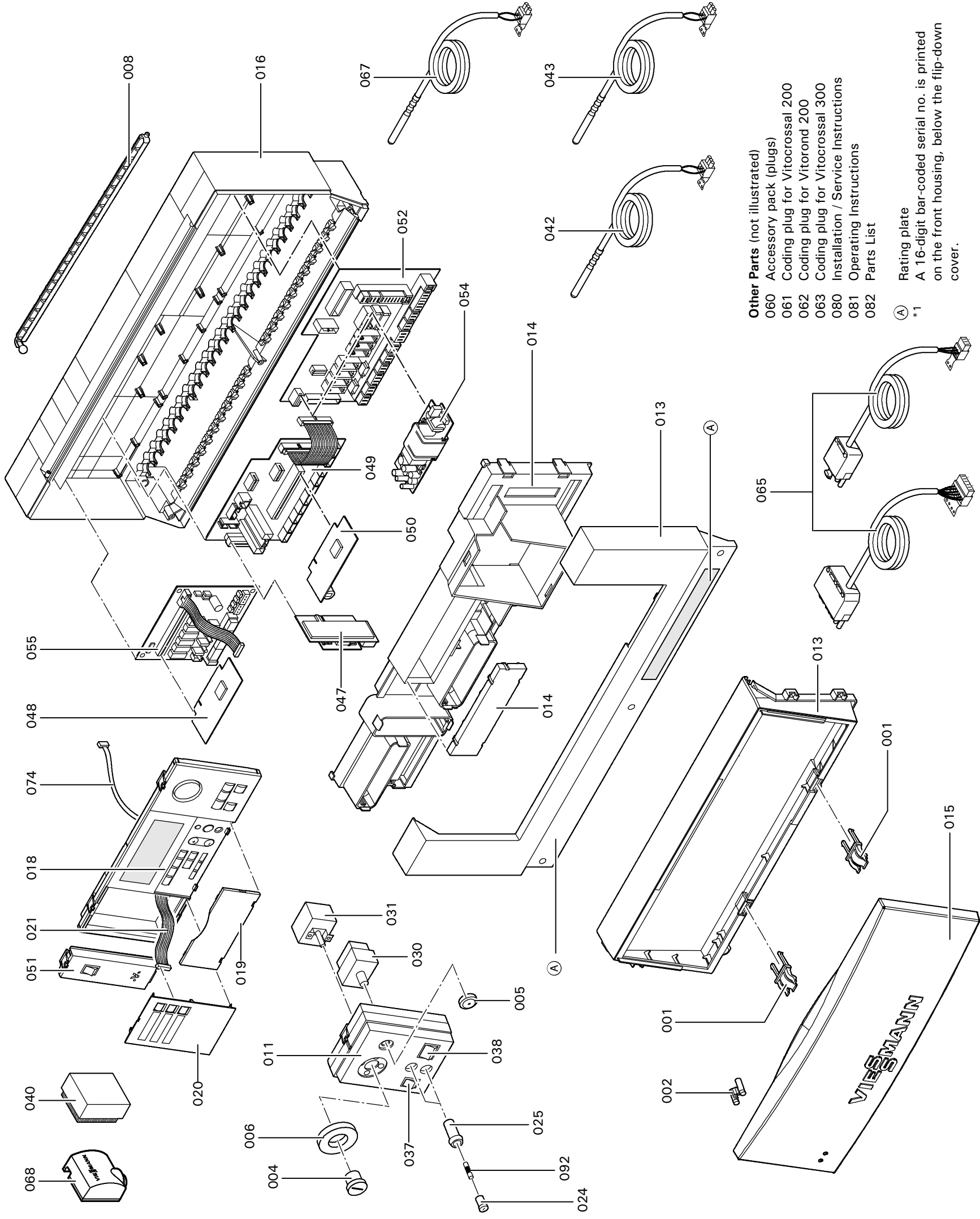
Order No. Serial No. *1
 7134 555, 7134 556 7143000□□□□□□□□□□
 7187101□□□□□□□□□□□□□□□□
 7248248□□□□□□□□□□□□□□□□

Ordering Replacement Parts:

Please provide product Model and Serial Number from rating plate when ordering replacement parts. Order replacement components from your Viessmann distributor.

Parts

- 001 Hinges
- 002 Optic link
- 004 AHL Knob
- 005 Fixed high limit cover
- 006 Dial-stop 110°C/230°F
- 008 Support arm
- 011 Safety module (wired)
- 013 Front housing (with Pos. 001)
- 014 Circuit board enclosure
- 015 Flip-down cover
- 016 Rear housing
- 018 Programming unit
- 019 Flip-down cover
- 020 Front cover for heating circuits
- 021 Flat cable, 14-pole
- 024 Fuse holder cover
- 025 Fuse holder
- 030 Fixed high limit, 3510mm
- 031 Adjustable high limit
- 037 Switch, 1-pole (FHL test)
- 038 Switch, 2-pole (power on/off)
- 040 Sensor #1 for outdoor temperature
- 042 Sensor #3 for boiler
- 043 Sensor #5 for domestic hot water production
- 047 LON module
- 048 Circuit board (mixing valve expansion)
- 049 Motherboard (control, low voltage)
- 050 Circuit board (control software)
- 051 Diagnostics module (Optolink)
- 052 Motherboard (control, line voltage)
- 054 Circuit board (120V power supply)
- 055 Motherboard (mixing valve expansion)
- 065 Burner cable Nr. 41/90 l=3470
- 067 Sensor (Immersion, NI500)
- 068 Sensor #2 for supply
- 074 Harness for programming unit
- 092 Fuse 6.3A / 250V (10 pack)



- Other Parts (not illustrated)**
- 060 Accessory pack (plugs)
 - 061 Coding plug for Vitocrossal 200
 - 062 Coding plug for Vitotronic 200
 - 063 Coding plug for Vitocrossal 300
 - 080 Installation / Service Instructions
 - 081 Operating Instructions
 - 082 Parts List

(A) Rating plate
 *1 A 16-digit bar-coded serial no. is printed on the front housing, below the flip-down cover.

VITOTRONIC 333 VITOTRONIC 300-K

MW1

	7134 557 7134 558	7134 557 7134 558		Custom Ctl Panels
General Info	Price List Section:	7 & 8	(08/2005 - present)	
	Parts Catalog Section	27		
	Series Name:	MW1W (NR2)	MW1S (NR2)	
	Applies to serials nos. beginning with:	7143421..., 7187112...	7248233...	7143438..., 7187114...
	Accurate as of:	07/01/2012		

Parts List

Please refer to: Parts List
Pos. Description

Part Numbers / Price Categories

001	Hinges	7820 180 ³	7820 180 ³	
002	MW1S Module (Cascade)			7824 182 ⁶²
003 ^{*1}	MW1S Module (Pwr Supply Unit, 230/1/60)			7824 181 ³⁴
004	MW1S Module (Power)			7820 789 ³⁶
005	MW1S Module (Htg Circuit Extension)			7829 791 ⁴³
008	Support Arm	7820 175 ⁵	7820 175 ⁵	
011	Power Module (wired)	7820 366 ¹⁰	7820 366 ¹⁰	
013	Front Housing	7820 177 ¹²	7820 177 ¹²	
014	Circuit Board Enclosure	7820 173 ¹⁰	7820 173 ¹⁰	
015	Flip-Down Cover	7820 181 ¹⁰	7820 181 ¹⁰	
016	Rear Housing	7820 178 ¹²	7820 178 ¹²	
017	Wall Console	7151 941 ¹⁴	7151 941 ¹⁴	
018	Programming Unit	7823 986 ³¹	7823 986 ³¹	7823 986 ³¹
019	Flip-Down Cover	7819 307 ⁵	7819 307 ⁵	
020	Front Cover (Htg Circuits)	7818 623 ¹⁰	7818 623 ¹⁰	7818 623 ¹⁰
021	Flat Cable, 14-Pole	7819 320 ⁶	7819 320 ⁶	7819 320 ⁶
024	Fuse Holder Cover	7819 313 ³	7819 313 ³	
025	Fuse Holder	7819 312 ⁴	7819 312 ⁴	
038	Switch, 2-Pole (Power On/Off)	7819 315 ⁷	7819 315 ⁷	
040	Sensor #1 (Outdoor)	7820 148 ¹⁹	7820 148 ¹⁹	7820 148 ¹⁹
043	Sensor #5 (DHW)	7450 633 ¹⁹	7450 633 ¹⁹	7450 633 ¹⁹
047	LON Modul MW1	7172 174 ³²	7172 174 ³²	
048	Circuit Board (m.v. exp)	7829 790 ²⁰	7829 790 ²⁰	
049	Motherboard (ctl, low voltage)	7820 290 ²³	7820 290 ²³	
050	Circuit Board (ctl software)	7828 194 ²²	7828 194 ²²	
051	Diagnostics Module (Optolink)	7820 165 ¹⁰	7820 165 ¹⁰	
052	Motherboard (ctl, line voltage)	7820 185 ¹⁹	7820 185 ¹⁹	
054	Circuit Board (120V pwr supply)	7823 991 ²²	7823 991 ²²	
055	Motherboard (m.v. exp)	7820 193 ¹⁹	7820 193 ¹⁹	
060	Access. Pack (Plugs)	7820 849 ^D	7820 849 ^D	
067	Sensor (Immersion, NI500)	7450 641 ²¹	7450 641 ²¹	7450 641 ²¹
068	Sensor #2 (Strap-on, no cable)	7182 875 ¹⁹	7182 875 ¹⁹	7182 875 ¹⁹
074	Harness f Prog.Unit	7820 174 ⁵	7820 174 ⁵	continued

VITOTRONIC 333 VITOTRONIC 300-K

MW1

	7134 557 7134 558	7134 557 7134 558		Custom Ctl Panels
General Info	Price List Section:	7 & 8	(08/2005 - present)	
	Parts Catalog Section	27		
	Series Name:	MW1W (NR2)	MW1S (NR2)	
	Applies to serials nos. beginning with:	7143421..., 7187112...	7248233...	7143438..., 7187114...
	Accurate as of:	07/01/2012		

Parts List

Please refer to: Parts List
Pos. Description

Part Numbers / Price Categories

080	Install./Serv. Instr. Vitotronic 100/333	5285 944 ^L	5351 340 ^L		
081	Operating Instr. Vitotronic 100/333	5285 945 ^L	5351 341 ^L		
082	Parts List Vitotronic 333	5285 946 ^L	5285 946 ^L		
092 W	Fuse 6.3A / 250V (10 Pack)	7404 365 ⁶	7404 365 ⁶		
093	Connecting Cable LON (7mtr) RJ45	7143 495 ¹³	7143 495 ¹³		
094	LON Terminal Resistor (2 Pieces)	7143 497 ^{Other}	7143 497 ^{Other}		
100	Access. Pack (Low Volt.Plugs)	7415 058 ⁷	7415 058 ⁷		
107	Access. Pack (Strain.Rel/Plugs)	7818 617 ¹⁰	7818 617 ¹⁰		

Notes:

*1 IMPORTANT Must be sold with 7823 991 120V power supply circuit board.

"n.a." indicates not applicable.

"W" indicates wearing part (service).

"L" indicates literature (no charge).

"Kit" or "Other" indicates that this is not a Price Category item; contact Inside Sales for pricing.

"D" indicates discontinued.

VITOTRONIC 333 VITOTRONIC 300-K MW1 Series

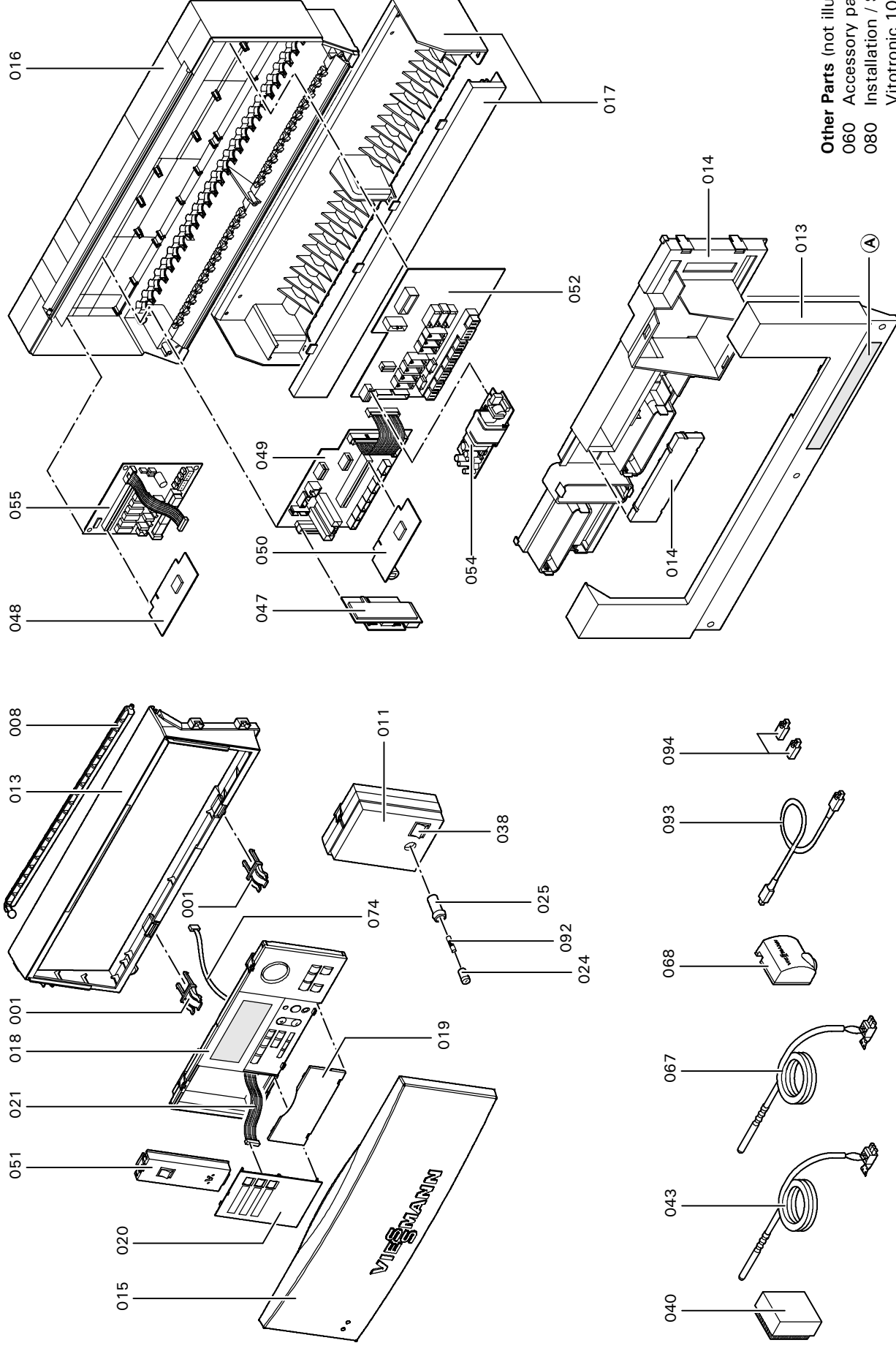
Order No.	Serial No. *1
Vitotronic-S 7134 557, 7134 558	7143421□□□□□□□□□□□□□□
MW1W (shown to right)	7187112□□□□□□□□□□□□□□
	7248233□□□□□□□□□□□□□□
Custom Control Panels	
MW1S (not shown)	7143438□□□□□□□□□□□□□□
	7187114□□□□□□□□□□□□□□

Ordering Replacement Parts:

Please provide product Model and Serial Number from rating plate when ordering replacement parts. Order replacement components from your Viessmann distributor.

Parts

- 001 Hinges
- 008 Support arm
- 011 Power module (wired)
- 013 Front housing (with Pos. 001)
- 014 Circuit board enclosure
- 015 Flip-down cover
- 016 Rear housing
- 017 Wall console
- 018 Programming unit
- 019 Flip-down cover
- 020 Front cover (heating circuits)
- 021 Flat cable, 14-pole
- 024 Fuse holder cover
- 025 Fuse holder
- 038 Switch, 2-pole (power on/off)
- 040 Sensor #1 for outdoor temperature
- 043 Sensor #5 for domestic hot water production
- 047 LON module
- 048 Circuit board (mixing valve expansion)
- 049 Motherboard (control, low voltage)
- 050 Circuit board (control software)
- 051 Diagnostics module (Optolink)
- 052 Motherboard (control, line voltage)
- 054 Circuit board (120V power supply)
- 055 Motherboard (mixing valve expansion)
- 067 Sensor (immersion, NI500)
- 068 Sensor #2 for supply
- 074 Harness for programming unit
- 092 Fuse 6.3A / 250V (10 pack)
- 093 Connecting cable LON (7mtr), RJ45
- 094 LON terminal resistor (2 pieces)



Other Parts (not illustrated)

- 060 Accessory pack (plugs)
- 080 Installation / Service Instructions Vitotronic 100/333
- 081 Operating Instructions, Vitotronic 100/333
- 082 Parts List, Vitotronic 333
- 100 Accessory pack (low voltage plugs)
- 107 Accessory pack (strain reliefs and plugs)

Ⓐ Rating plate

*1 A 16-digit bar-coded serial no. is printed on the front housing, below the flip-down cover.

Custom Control Panels

General Info	Price List Section: (09/2007 - present)			
	Parts Catalog Section: 27			
	Series Name:	Vitotronic 050	Vitotronic 200-H	Vitotronic 300-K
		HK3S	HK3S	MW2S
	Applies to serials nos. beginning with:	7187111...	7248232...	7248236...
	Accurate as of:	07/01/2012		

Parts List

Please refer to: **Parts List**
 Pos. Description

Part Numbers / Price Categories

001 *1	Module (power 230v)	7824 181 ³⁴	7824 181 ³⁴	7824 181 ³⁴
002	Module (ctl software)	n.a. ^{n.a.}	n.a. ^{n.a.}	7824 184 ⁶³
003	Module (ctl software)	7824 183 ⁵⁰	7824 183 ⁵⁰	n.a. ^{n.a.}
004	Module (Relay)	7820 789 ³⁶	7820 789 ³⁶	7820 789 ³⁶
005	Module (htg circuit ext)	7829 791 ⁴³	7829 791 ⁴³	7829 791 ⁴³
006	Mounting Frame w I2C Board/Cable	7820 361 ¹⁶	7820 361 ¹⁶	7820 361 ¹⁶
007	Programming Unit	7823 986 ³¹	7823 986 ³¹	7823 986 ³¹
009	Front Cover Plate, MW2S	n.a. ^{n.a.}	n.a. ^{n.a.}	7818 630 ⁶
010	Front Cover (Htg Circuits)	7818 623 ¹⁰	7818 623 ¹⁰	7818 623 ¹⁰
011	Access. Pack (Plugs)	7820 362 ¹⁴	7820 362 ¹⁴	7820 362 ¹⁴
012	Cable Set	7820 363 ¹¹	7820 363 ¹¹	7820 363 ¹¹
013	Ctrl Housing (Empty)	7820 360 ¹⁹	7820 360 ¹⁹	7820 360 ¹⁹
018	Sensor #1 (Outdoor)	n.a. ^{n.a.}	n.a. ^{n.a.}	7820 148 ¹⁹
019	Sensor #2 (supply,strap-on) w 5.8m cable	n.a. ^{n.a.}	n.a. ^{n.a.}	n.a. ^{n.a.}
020	Sensor #5 (DHW w 5.8m cable)	n.a. ^{n.a.}	n.a. ^{n.a.}	7450 633 ¹⁹
021	Harness f Prog.Unit, MW2S	n.a. ^{n.a.}	n.a. ^{n.a.}	7820 964 ⁷
022	Flat Cable, 14-Pole	7819 320 ⁶	7819 320 ⁶	7819 320 ⁶
067	Sensor #17 (return, immers.NI500) w well	7450 641 ²¹	7450 641 ²¹	n.a. ^{n.a.}
	Sensor #2 (c.supply, immers. NI500)	n.a. ^{n.a.}	n.a. ^{n.a.}	7184 197 ²⁰
068	Sensor #2 (supply,strap-on) w 5.8m cable	7183 288 ¹⁹	7183 288 ¹⁹	7183 288 ¹⁹
093	Connecting Cable (7m), LON RJ45	7143 495 ¹³	7143 495 ¹³	7143 495 ¹³
094	LON Terminal Resistor (2 Pieces)	7143 497 ^{Other}	7143 497 ^{Other}	7143 497 ^{Other}
100	Installation Instructions	5581 529 ^L	5581 529 ^L	5727 946 ^L
101	Operating Instructions	5581 530 ^L	5581 530 ^L	5728 417 ^L
102	Parts List	n.a. ^{n.a.}	n.a. ^{n.a.}	5728 430 ^L
103	Technical Literature Set	n.a. ^{n.a.}	n.a. ^{n.a.}	7435 831 ^L

Notes:

*1 IMPORTANT Must be sold with 7820190 120V power supply circuit board.

"n.a." indicates not applicable.

"W" indicates wearing part (service).

"L" indicates literature (no charge).

"Kit" or "Other" indicates that this is not a Price Category item; contact Inside Sales for pricing.

"D" indicates discontinued.

KR Boiler Control

KR Boiler Control	KR	
	7133 568	
General Info	Price List Section:	9
	Parts Catalog Section	27
	Series Name:	(01/2000 - 12/2005)
	Applies to serials nos. beginning with:	7450215...
	Accurate as of:	07/01/2012

Parts List

Please refer to: Parts List
 Pos. Description

Part Numbers / Price Categories

	Description	Part Numbers	Price Categories		
003	Transparent Cover	7810 878 ⁹			
005	Hinge	n.a. ^{n.a.}			
006	Rotary Knob, Adj. High Limit	7810 883 ³			
007	Stop for Adj. High Limit	n.a. ^{n.a.}			
008	Flip-Down Cover	n.a. ^{n.a.}			
009	Flip-Down Cover	n.a. ^{n.a.}			
010	Ctrl Face (Left)	7814 579 ²⁷			
011	Ctrl Face (Right)	7811 025 ⁹			
012	Lower Flip-Down Cover	7810 879 ⁵			
013	Cover for Connections	n.a. ^{n.a.}			
014	Rear Control Cover	n.a. ^{n.a.}			
015	Cover (blank)	7819 932 ⁴			
018	Unit Locking Pin	7813 588 ³			
019	Cover Plate, FHL	7810 187 ¹			
021	Fuse, 4.0A/250V (Pkg of 10)	7404 364 ⁶			
022	Fuse, 6.3A/250V (Pkg of 10)	7404 365 ⁶			
023	Fuse, 1.6A/250V (Pkg of 10)	7404 394 ⁶			
030	Adj. High Limit	7819 410 ¹⁴			
031	Fixed High Limit, 3510mm	9527 410 ¹³			
034	Switch, 1-Pole	n.a. ^{n.a.}			
035	Switch, 2-Pole	7819 977 ⁷			
037	Switch, 1-Pole	7815 426 ⁷			
038	Signal Light, RED	n.a. ^{n.a.}			
043	Sensor #5 (DHW)	7814 616 ²⁰			
044	Sensor #3 (Boiler)	7814 615 ¹⁹			
056	Circuit Board (ctl software), E8.2	7814 500 ³⁵			
060	Motherboard 120/1/60	7837 926 ³⁶			
141	Screw Cap f Fuse	7815 427 ⁴			
170	Conductor Cable 34-Pole	7815 361 ¹⁰			
171	Conductor Cable 26-Pole	7815 907 ⁷			
180	Cover Plate (AHL,FHL,TUV Switch)	7810 896 ⁸			
300	Transformer 120V for Motherboard	9516 474 ^{n.a.}			

Notes:

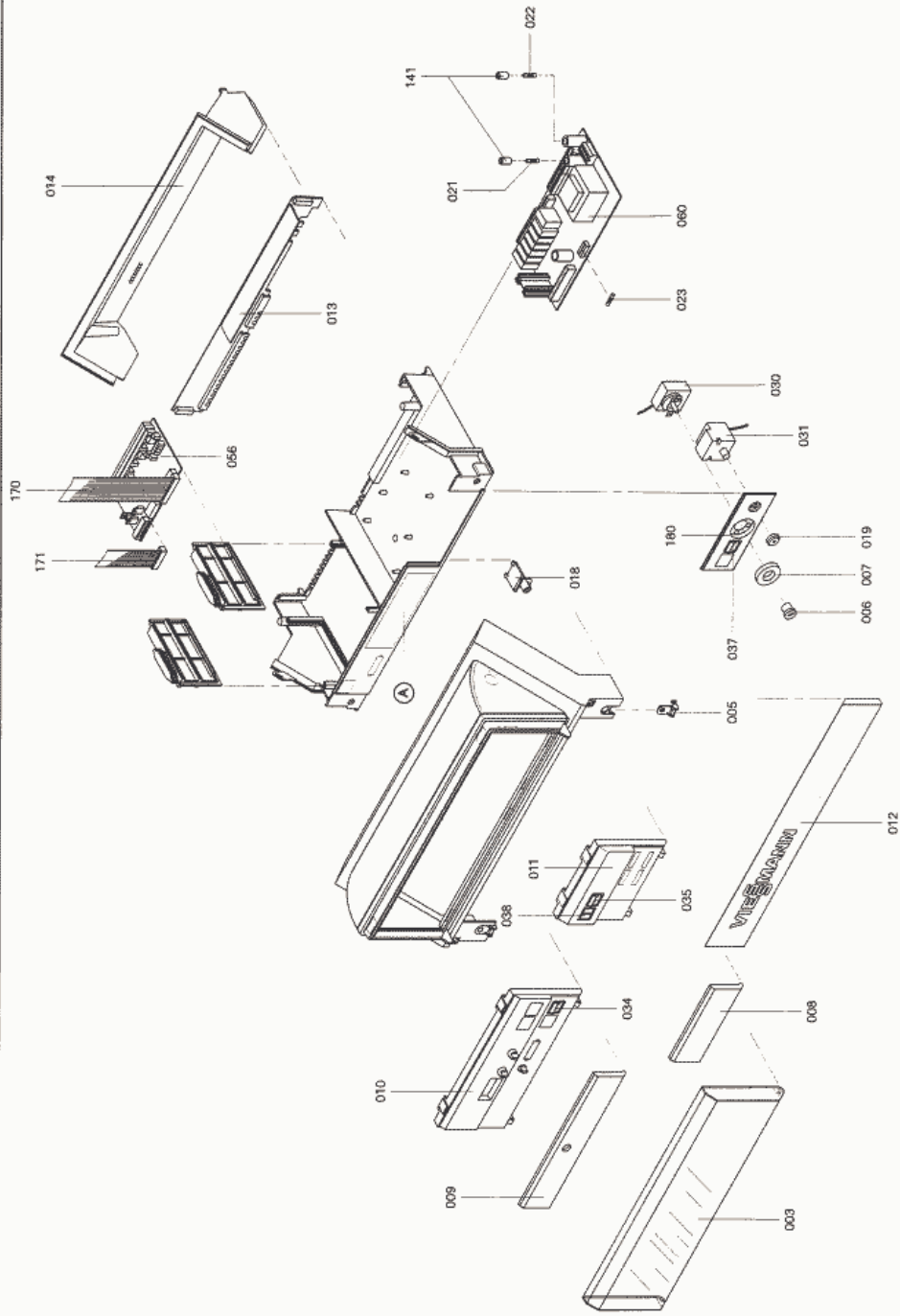
- "n.a." indicates not applicable.
- "W" indicates wearing part (service).
- "L" indicates literature (no charge).

Einzelteilliste

VIESSMANN

KR
Best.-Nr. 7450 215

Hinweise für die Heizungsfachfirma!
Bei Ersatzbestellungen Best.-Nr. und
Hersteller-Nr. (siehe Typenschild)
angeben.
Handelsübliche Teile sind im örtlichen
Fachhandel erhältlich.



Ⓐ Typenschild

Ablagehinweis: Servicemappe

5781 208 7/95

Fortsetzung siehe Rückseite

Weishaupt	WG20-A	WG30	G1-7 Std. Head	G1-7 LN/NA Head
General Info	Price List Section:	7.3, 8.3		
	Parts Catalog Section	28		
	Applies to burner part numbers	9549040	9549042	7134763
		9549041	9549043	9549044 - 051
		9560191	9549052	9549054 - 061
			9549053	9549054 - 061
	Accurate as of:	07/01/2012		

Parts List

Please refer to: **Parts List**
 Pos. Description

Part Numbers / Price Categories

Pos.	Description	Part Numbers / Price Categories
010	Burner Ctrl, 110v	9549 638 ⁷³ 600 236
020	UV Scanner QRA2	9543 620 ⁴⁵ 600 171
025	Conversion Kit UV > Flame Rod WG30 LN Head	9543 620 ⁴⁵ 600 171
026	Conversion Kit UV > Flame Rod G1-3	n.a. ^{n.a.}
027	Conversion Kit UV > Flame Rod G5	9543 640 ²⁵ 600 501
028	Conversion Kit UV > Flame Rod G7	9543 640 ²⁵ 600 501
030	Ionization Electrode	n.a. ^{n.a.}
031	Ionization Electrode G1-G5-LN only	9560 973 ¹⁹ 97-5129
032	Ionization Electrode G7-LN	n.a. ^{n.a.}
040	Ignition Electrode	n.a. ^{n.a.}
050	Ignition Transformer w Kit 110v	7834 061 ¹⁹ 97-5156
060	Ignition + Sensor Line Repl. Kit	n.a. ^{n.a.}
061	Ignition Cable Plug, Male	7834 062 ¹⁹ 97-5157
062	Plug Coupling, Female	7834 063 ¹⁹ 97-5158
		9560 974 ¹⁹ 97-5126
		9560 975 ¹⁹ 97-5127
		9560 976 ¹⁹ 97-5128
		n.a. ^{n.a.}
		9543 647 ⁸ 232 100 1420/7
		n.a. ^{n.a.}
		9543 647 ⁸ 232 100 1420/7
		n.a. ^{n.a.}
		9543 663 ⁹ 132 101 1404/7
		n.a. ^{n.a.}
		9543 669 ¹¹ 232 200 1421/7
		9543 648 ¹¹ 132 101 1403/7
		9543 653 ¹⁰ 151 327 1433/7
		9543 648 ¹¹ 132 101 1403/7
		7423 620 ³² 19-230 101 0018/0
		9560 861 ³⁶ 240 100 0014/0
		9560 810 ⁵⁰ 210 301 0047/0
		9560 810 ⁵⁰ 210 301 0047/0
		9543 676 ¹⁴ 230 201 0058/0
		7181 919 ²⁰ 230 301 0031/0
		n.a. ^{n.a.}
		n.a. ^{n.a.}
		9543 652 ⁷ 716 017
		9543 652 ⁷ 716 017
		n.a. ^{n.a.}
		9543 662 ⁷ 716 018
		9543 662 ⁷ 716 018

Weishaupt		WG20-A	WG30	G1-7 Std. Head	G1-7 LN/NA Head
General Info	Price List Section:	7.3, 8.3			
	Parts Catalog Section	28			
	Applies to burner part numbers	9549040	9549042	7134763	7134763
		9549041	9549043	9549044 - 051	9549044 - 051
		9560191	9549052	9549054 - 061	9549054 - 061
		9549053			
	Accurate as of:	07/01/2012			

Parts List

Please refer to: **Parts List**
 Pos. Description

Part Numbers / Price Categories

063	Sensor Cable, in Meters (Ignition or Sensor cable for old ZA-Series Transformers)	n.a. ^{n.a.}	n.a. ^{n.a.}	9543 626 ⁶ 743 202	9543 626 ⁶ 743 202
064	Ignition Cable w 90° Male Plug	n.a. ^{n.a.}	n.a. ^{n.a.}	9560 610 ¹² 603 158	9560 610 ¹² 603 158
070	Air Pressure Switch	9549 232 ²⁸ 691 364	9549 595 ³⁴ 691 365	9543 630 ³⁵ 691 366	9543 630 ³⁵ 691 366
080	Servomotor, 110v (full mod)	9549 231 ⁵⁸ 651 011	9543 641 ⁵⁴ 651 024	9543 628 ⁸⁹ 651 417	9543 628 ⁸⁹ 651 417
090	Burner Motor - Please see burner motor chart	t.b.d. ^{n.a.}	t.b.d. ^{n.a.}	t.b.d. ^{n.a.}	t.b.d. ^{n.a.}

Notes:

"n.a." indicates not applicable.

"Kit" or "Other" indicates that this is not a Price Category item; contact Inside Sales for pricing.

"t.b.d." indicates to be determined

Weishaupt	WL30	L1 / L3	L5	L7
General Info	Price List Section:	7.3, 8.3		
	Parts Catalog Section	28		
	Applies to burner part numbers	9549062	9549063 9549064	9549066 9549068
	Accurate as of:	07/01/2012		

Parts List

Please refer to: Parts List
Pos. Description

Part Numbers / Price Categories

Pos.	Description	9549 605 ⁴⁴ 600 176	9549 605 ⁴⁴ 600 176	9549 605 ⁴⁴ 600 176	9549 605 ⁴⁴ 600 176
010	Burner Ctrl, 110v LAL2.25				
020	Photocell QRB1	9543 646 ¹⁵ 241 300 1201/2	9543 673 ¹⁴ 111 964 1201/2	9543 673 ¹⁴ 111 964 1201/2	9543 673 ¹⁴ 111 964 1201/2
040	Ignition Electrode	9543 660 ¹⁰ 241 300 1025/7	n.a. ^{n.a.}	n.a. ^{n.a.}	n.a. ^{n.a.}
041	Ignition Electrode-Left	n.a. ^{n.a.}	9543 671 ¹¹ 211 163 1011/7	9543 655 ¹² 111 564 1001/7	9543 657 ¹¹ 111 764 1003/7
042	Ignition Electrode-Right	n.a. ^{n.a.}	9543 672 ¹¹ 211 163 1012/7	9543 656 ¹² 111 564 1002/7	9543 658 ¹¹ 111 764 1004/7
050	Ignition Transformer w Kit 110v	9560 861 ³⁶ 240 100 0014/0	9560 810 ⁵⁰ 210 301 0047/0	9560 810 ⁵⁰ 210 301 0047/0	9560 810 ⁵⁰ 210 301 0047/0
060	Ignition Line, 450mm (2-cables)	9543 675 ¹⁵ 241 300 1112/2	n.a. ^{n.a.}	n.a. ^{n.a.}	n.a. ^{n.a.}
061	Ignition Cable Plug, Male	n.a. ^{n.a.}	9543 652 ⁷ 716 017	9543 652 ⁷ 716 017	9543 652 ⁷ 716 017
062	Plug Coupling, Female	n.a. ^{n.a.}	9543 662 ⁷ 716 018	9543 662 ⁷ 716 018	9543 662 ⁷ 716 018
063	Sensor Cable, in Meters (Ignition or Sensor cable for old ZA-Series Transformers)	n.a. ^{n.a.}	9543 626 ⁶ 743 202	9543 626 ⁶ 743 202	9543 626 ⁶ 743 202
064	Ignition Cable w 90° Male Plug	n.a. ^{n.a.}	9560 610 ¹² 603 158	9560 610 ¹² 603 158	9560 610 ¹² 603 158
080	Servomotor, 110v STM 4.5	9549 989 ⁶⁹ 240 303 1516/2	n.a. ^{n.a.}	n.a. ^{n.a.}	n.a. ^{n.a.}
081 ^{*1}	Servomotor, 110v Typ1055/23	n.a. ^{n.a.}	9543 747 ⁵⁷ 110 500 0010/2	9543 747 ⁵⁷ 110 500 0010/2	9543 747 ⁵⁷ 110 500 0010/2
082 ^{*1}	Servomotor, 110v Typ1055/80	n.a. ^{n.a.}	9543 633 ⁶¹ 110 500 0013/2	9543 633 ⁶¹ 110 500 0013/2	9543 633 ⁶¹ 110 500 0013/2
090	Burner Motor - Please see burner motor chart	t.b.d. ^{n.a.}	t.b.d. ^{n.a.}	t.b.d. ^{n.a.}	t.b.d. ^{n.a.}

Weishaupt		WL30	L1 / L3	L5	L7
General Info	Price List Section:	7.3, 8.3			
	Parts Catalog Section	28			
	Applies to burner part numbers	9549062	9549063 9549064	9549066	9549068
	Accurate as of:	07/01/2012			

Parts List

Please refer to: Parts List
Pos. Description

Part Numbers / Price Categories

100	Oil Pump	9543 781 ³⁶ 19-601 218	n.a. ^{n.a.}	9549 579 ⁵¹ 601 150	9549 579 ⁵¹ 601 150
101	Oil Pump AE67C L1	n.a. ^{n.a.}	9543 611 ³⁷ 210 163 0604/2	n.a. ^{n.a.}	n.a. ^{n.a.}
102	Oil Pump AE97C L3	n.a. ^{n.a.}	9560 545 ⁴⁸ 210 363 0603/2	n.a. ^{n.a.}	n.a. ^{n.a.}
110	Oil Pump Set #1(Filter/Gasket) WL30 / L1	9560 185 ⁹ 601 101	9560 185 ⁹ 601 101	n.a. ^{n.a.}	n.a. ^{n.a.}
111	Oil Pump Set #2(Filter/Gasket) L3	n.a. ^{n.a.}	7423 612 ⁹ 601 102	n.a. ^{n.a.}	n.a. ^{n.a.}
112	Oil Filter J3/J4/J6	n.a. ^{n.a.}	n.a. ^{n.a.}	9543 765 ¹⁰ 601 066	9543 765 ¹⁰ 601 066
120	Solenoid Valve Coil Nr. 483764, 9W	9560 438 ²¹ 604 452	9560 438 ²¹ 604 452	9560 438 ²¹ 604 452	9560 438 ²¹ 604 452
121	Solenoid Valve Coil Nr. 483824 19W, 120v	n.a. ^{n.a.}	n.a. ^{n.a.}	9549 823 ³² 604 552	9549 823 ³² 604 552

Notes:

*1 IMPORTANT For Servomotor service replacements on L1 - L7 burners, please see if model 1055/23 or 1055/80 is already installed and replace with the same version. Replacing with the same version of Servomotor will avoid re-wiring and the need for additional parts to correctly install the new unit.

"n.a." indicates not applicable.

"Kit" or "Other" indicates that this is not a Price Category item; contact Inside Sales for pricing.

"t.b.d." indicates to be determined

Weishaupt		RL3	RL5	RL7	
General Info	Price List Section:	7.3, 8.3			
	Parts Catalog Section	28			
	Applies to burner part numbers	9549065	9549067	9549069	
	Accurate as of:	07/01/2012			

Parts List

Please refer to: **Parts List**
 Pos. Description

Part Numbers / Price Categories

010	Burner Ctrl, 110v LAL2.25	9549 605 ⁴⁴ 600 176	9549 605 ⁴⁴ 600 176	9549 605 ⁴⁴ 600 176	
020	Photocell QRB1	9543 673 ¹⁴ 111 964 1201/2	9543 673 ¹⁴ 111 964 1201/2	9543 673 ¹⁴ 111 964 1201/2	
040	Ignition Electrode-Left	9549 601 ¹¹ 121 364 1006/7	9549 601 ¹¹ 121 364 1006/7	7423 615 ¹² 211 404 1020/7	
041	Ignition Electrode-Right	9549 602 ¹¹ 121 364 1007/7	9549 602 ¹¹ 121 364 1007/7	7423 616 ¹² 211 404 1021/7	
050	Ignition Transformer w Kit 110v	9560 810 ⁵⁰ 210 301 0047/0	9560 810 ⁵⁰ 210 301 0047/0	9560 810 ⁵⁰ 210 301 0047/0	
060	Ignition Cable Plug, Male	9543 652 ⁷ 716 017	9543 652 ⁷ 716 017	9543 652 ⁷ 716 017	
061	Plug Coupling, Female	9543 662 ⁷ 716 018	9543 662 ⁷ 716 018	9543 662 ⁷ 716 018	
062	Sensor Cable, in Meters (Ignition or Sensor cable for old ZA-Series Transformers)	9543 626 ⁶ 743 202	9543 626 ⁶ 743 202	9543 626 ⁶ 743 202	
063	Ignition Cable w 90° Male Plug	9560 610 ¹² 603 158	9560 610 ¹² 603 158	9560 610 ¹² 603 158	
080	Servomotor, 110v SQM10.16561	9543 628 ⁸⁹ 651 417	9543 628 ⁸⁹ 651 417	9543 628 ⁸⁹ 651 417	
090	Burner Motor - Please see burner motor chart	t.b.d. ^{n.a.}	t.b.d. ^{n.a.}	t.b.d. ^{n.a.}	
100	Oil Pump	7423 614 ⁵⁰ 211 373 0606/2	9549 579 ⁵¹ 601 150	7423 617 ¹¹⁰ 601 050	
110	Oil Pump Set #3(Filter/Gasket)	7423 613 ¹¹ 601 103	n.a. ^{n.a.}	n.a. ^{n.a.}	
111	Oil Filter J3/J4/J6	n.a. ^{n.a.}	9543 765 ¹⁰ 601 066	n.a. ^{n.a.}	
120	Solenoid Valve Coil Nr. 483824, 19W, 55v	7423 618 ²³ 604 620	7423 618 ²³ 604 620	7423 618 ²³ 604 620	
121	Solenoid Valve Coil Nr. 483541 20W	n.a. ^{n.a.}	9543 764 ²³ 604 638	9543 764 ²³ 604 638	

Notes:

"n.a." indicates not applicable.

"Kit" or "Other" indicates that this is not a Price Category item; contact Inside Sales for pricing.

"t.b.d." indicates to be determined

Weishaupt	WGL30	GL1	GL3	GL5 GL7
General Info	Price List Section:	7.3, 8.3		
	Parts Catalog Section	28		
	Applies to burner part numbers	9549070	9549071	9549072
				9549074 9549076
	Accurate as of:	07/01/2012		

Parts List

Please refer to: Parts List
Pos. Description

Part Numbers / Price Categories

Pos.	Description	Part Numbers / Price Categories
010	Burner Ctrl, 110v LFL1.33	9543 620 ⁴⁵ 600 171
020	UV Scanner QRA2	9543 670 ⁴⁰ 191 207 1201/2
040	Ignition Electrode-Left	9543 654 ¹⁰ 155 327 1420/7
041	Ignition Electrode-Right	9543 653 ¹⁰ 151 327 1433/7
050	Ignition Transformer w Kit 110v	9543 653 ¹⁰ 151 327 1433/7
060	Ignition Line, 550mm	9543 654 ¹⁰ 155 327 1420/7
061	Ignition Cable Plug, Male	9560 861 ³⁶ 240 100 0014/0
062	Plug Coupling, Female	9560 810 ⁵⁰ 210 301 0047/0
063	Sensor Cable, in Meters (Ignition or Sensor cable for old ZA-Series Transformers)	9560 810 ⁵⁰ 210 301 0047/0
064	Ignition Cable w 90° Male Plug	9543 677 ²² 230 301 0035/0
070	Air Pressure Switch	n.a. ^{n.a.}
080	Servomotor, 110v	n.a. ^{n.a.}
090	Burner Motor - Please see burner motor chart	n.a. ^{n.a.}
100	Oil Pump	9543 652 ⁷ 716 017
110	Oil Pump Set (Filter/Gasket)	9543 652 ⁷ 716 017
111	Oil Filter J3/J4/J6	n.a. ^{n.a.}
120	Solenoid Valve Coil Nr. 483764, 9W	9543 662 ⁷ 716 018
121	Solenoid Valve Coil Nr. 483824 19W, 120v	9543 662 ⁷ 716 018
		n.a. ^{n.a.}
		9543 626 ⁶ 743 202
		n.a. ^{n.a.}
		9560 610 ¹² 603 158
		9549 595 ³⁴ 691 365
		9543 630 ³⁵ 691 366
		9543 630 ³⁵ 691 366
		9543 630 ³⁵ 691 366
		9543 641 ⁵⁴ 651 024
		7423 619 ⁸⁹ 651 423
		7423 619 ⁸⁹ 651 423
		7423 619 ⁸⁹ 651 423
		t.b.d. ^{n.a.}
		t.b.d. ^{n.a.}
		t.b.d. ^{n.a.}
		t.b.d. ^{n.a.}
		9543 781 ³⁶ 19-601 218
		9543 611 ³⁷ 210 163 0604/2
		9560 545 ⁴⁸ 210 363 0603/2
		9549 579 ⁵¹ 601 150
		9560 185 ⁹ 601 101
		9560 185 ⁹ 601 101
		7423 612 ⁹ 601 102
		n.a. ^{n.a.}
		n.a. ^{n.a.}
		n.a. ^{n.a.}
		9543 765 ¹⁰ 601 066
		9560 438 ²¹ 604 452
		9560 438 ²¹ 604 452
		9560 438 ²¹ 604 452
		9560 438 ²¹ 604 452
		n.a. ^{n.a.}
		n.a. ^{n.a.}
		n.a. ^{n.a.}
		9549 823 ³² 604 552

Notes:

"n.a." indicates not applicable.

"Kit" or "Other" indicates that this is not a Price Category item; contact Inside Sales for pricing.

"t.b.d." indicates to be determined

Weishaupt		RGL3	RGL5	RGL7	
General Info	Price List Section:	7.3, 8.3			
	Parts Catalog Section	28			
	Applies to burner part numbers	9549073	9549075	9549077	
	Accurate as of:	07/01/2012			

Parts List

Please refer to: **Parts List**
 Pos. Description

Part Numbers / Price Categories

010	Burner Ctrl, 110v LFL1.33	9543 620 ⁴⁵ 600 171	9543 620 ⁴⁵ 600 171	9543 620 ⁴⁵ 600 171	
020	UV Scanner QRA2	9543 640 ²⁵ 600 501	9543 640 ²⁵ 600 501	9543 640 ²⁵ 600 501	
040	Ignition Electrode	9543 653 ¹⁰ 151 327 1433/7	9543 653 ¹⁰ 151 327 1433/7	9543 653 ¹⁰ 151 327 1433/7	
050	Ignition Trans. w Kit 110v	9560 810 ⁵⁰ 210 301 0047/0	9560 810 ⁵⁰ 210 301 0047/0	9560 810 ⁵⁰ 210 301 0047/0	
060	Ignition Cable Plug, Male	9543 652 ⁷ 716 017	9543 652 ⁷ 716 017	9543 652 ⁷ 716 017	
061	Plug Coupling, Female	9543 662 ⁷ 716 018	9543 662 ⁷ 716 018	9543 662 ⁷ 716 018	
062	Sensor Cable, in Meters (Ignition or Sensor cable for old ZA-Series Transformers)	9543 626 ⁶ 743 202	9543 626 ⁶ 743 202	9543 626 ⁶ 743 202	
063	Ignition Cable w 90° Male Plug	9560 610 ¹² 603 158	9560 610 ¹² 603 158	9560 610 ¹² 603 158	
070	Air Pressure Switch, 1-20"w.c.	9543 630 ³⁵ 691 366	9543 630 ³⁵ 691 366	9543 630 ³⁵ 691 366	
080	Servomotor, 110v SQM10.16561	9543 628 ⁸⁹ 651 417	9543 628 ⁸⁹ 651 417	9543 628 ⁸⁹ 651 417	
090	Burner Motor - Please see burner motor chart	t.b.d. ^{n.a.}	t.b.d. ^{n.a.}	t.b.d. ^{n.a.}	
100	Oil Pump	7423 614 ⁵⁰ 211 373 0606/2	9549 579 ⁵¹ 601 150	7423 617 ¹¹⁰ 601 050	
110	Oil Pump Set (Filter / Gasket)	7423 613 ¹¹ 601 103	n.a. ^{n.a.}	n.a. ^{n.a.}	
111	Oil Filter J3/J4/J6	n.a. ^{n.a.}	9543 765 ¹⁰ 601 066	n.a. ^{n.a.}	
120	Solenoid Valve Coil Nr. 483824, 19W, 55v	7423 618 ²³ 604 620	7423 618 ²³ 604 620	7423 618 ²³ 604 620	
121	Solenoid Valve Coil Nr. 483541 20W	n.a. ^{n.a.}	9543 764 ²³ 604 638	9543 764 ²³ 604 638	

Notes:

"n.a." indicates not applicable.

"Kit" or "Other" indicates that this is not a Price Category item; contact Inside Sales for pricing.

"t.b.d." indicates to be determined

Weishaupt	WG20	WG30 WG40	WM-G10	WM-G20
General Info	Price List Section: 7.3, 8.3			
	Parts Catalog Section 28			
	Applies to burner part numbers			
	7160296-298	7160301-304	7423196	7423182-184
	7160300		7416178	7423197-198
			7160312-324	
			7160335-336	
Accurate as of:	07/01/2012			

Parts List

Please refer to: **Parts List**
Pos. Description

Part Numbers / Price Categories

Pos.	Description	WG20	WG30 WG40	WM-G10	WM-G20
010	Combustion Manager W-FM20	7834 043 ⁵⁷ 600 385	7834 043 ⁵⁷ 600 385	n.a. ^{n.a.}	n.a. ^{n.a.}
011 ^{*1}	Combustion Manager W-FM50	n.a. ^{n.a.}	n.a. ^{n.a.}	7834 044 ⁹² 600 401	7834 044 ⁹² 600 401
012 ^{*1}	Combustion Manager W-FM100	n.a. ^{n.a.}	n.a. ^{n.a.}	7452 063 ¹²² 600 452	7452 063 ¹²² 600 452
030	Ionization Electrode	9543 647 ⁸ 232 100 1420/7	9543 647 ⁸ 232 100 1420/7	n.a. ^{n.a.}	n.a. ^{n.a.}
031	Ionization Electrode WM-G10/20 Std. Head	n.a. ^{n.a.}	n.a. ^{n.a.}	9543 637 ¹⁰ 151 327 1434/7	7834 064 ¹¹ 151 243 1413/7
032	Ionization Electrode WM-G10/20 LN Head	n.a. ^{n.a.}	n.a. ^{n.a.}	9543 647 ⁸ 232 100 1420/7	9543 663 ⁹ 132 101 1404/7
040	Ignition Electrode	9543 669 ¹¹ 232 200 1421/7	9543 669 ¹¹ 232 200 1421/7	n.a. ^{n.a.}	n.a. ^{n.a.}
041	Ignition Electrode WM-G10/20 Std. Head	n.a. ^{n.a.}	n.a. ^{n.a.}	9543 653 ¹⁰ 151 327 1433/7	7834 071 ¹² 217 405 1416/7
042	Ignition Electrode WM-G10/20 LN Head	n.a. ^{n.a.}	n.a. ^{n.a.}	9543 648 ¹¹ 132 101 1403/7	9543 648 ¹¹ 132 101 1403/7
050	Ignition Transformer 110v	9543 783 ²⁴ 603 195	9543 783 ²⁴ 603 195	9560 184 ⁴⁵ 603 197	9560 184 ⁴⁵ 603 197
060	Ignition + Sensor Line, 380mm WG20	7834 066 ¹³ 232 210 1102/2	n.a. ^{n.a.}	n.a. ^{n.a.}	n.a. ^{n.a.}
061	Ignition + Sensor Line, 600mm WG30	n.a. ^{n.a.}	7834 067 ¹⁴ 232 310 1103/2	n.a. ^{n.a.}	n.a. ^{n.a.}
062	Ignition + Sensor Line, 700mm WG40	n.a. ^{n.a.}	7834 073 ¹⁴ 230 310 1113/2	n.a. ^{n.a.}	n.a. ^{n.a.}
063	Ignition Line, 1250mm	n.a. ^{n.a.}	n.a. ^{n.a.}	9560 610 ¹² 603 158	9560 610 ¹² 603 158
064	Ignition Cable Plug, Male	n.a. ^{n.a.}	n.a. ^{n.a.}	9543 652 ⁷ 716 017	9543 652 ⁷ 716 017
065	Plug Coupling, Female	n.a. ^{n.a.}	n.a. ^{n.a.}	9543 662 ⁷ 716 018	9543 662 ⁷ 716 018
066	Ignition Cable, in Meters	n.a. ^{n.a.}	n.a. ^{n.a.}	9543 626 ⁶ 743 202	9543 626 ⁶ 743 202
070	Air Press. Switch, AA-A2-4-5	9549 595 ³⁴ 691 365	9549 595 ³⁴ 691 365	9543 630 ³⁵ 691 366	9543 630 ³⁵ 691 366

Weishaupt	WG20	WG30 WG40	WM-G10	WM-G20
General Info	Price List Section:	7.3, 8.3		
	Parts Catalog Section	28		
	Applies to burner part numbers	7160296-298 7160300	7160301-304 7423196 7416178 7160312-324 7160335-336	7423182-184 7423197-198
	Accurate as of:	07/01/2012		

Parts List

Please refer to: **Parts List**
Pos. Description

Part Numbers / Price Categories

080	Step Motor Gas STE 4.5 24v	7834 053 ⁴⁰ 651 101	7834 053 ⁴⁰ 651 101	n.a. ^{n.a.}	n.a. ^{n.a.}
081	Step Motor Air STE 4.5	7834 055 ³⁹ 651 103	7834 055 ³⁹ 651 103	n.a. ^{n.a.}	n.a. ^{n.a.}
082 ^{*1}	Step Motor W-FM50	n.a. ^{n.a.}	n.a. ^{n.a.}	7834 057 ⁶⁰ 651 487	7834 057 ⁶⁰ 651 487
083 ^{*1}	Step Motor W-FM100	n.a. ^{n.a.}	n.a. ^{n.a.}	7834 056 ⁶⁵ 651 470	7834 056 ⁶⁵ 651 470
090	Burner Motor - Please see burner motor chart	t.b.d. ^{n.a.}	t.b.d. ^{n.a.}	t.b.d. ^{n.a.}	t.b.d. ^{n.a.}

Notes:

***1 IMPORTANT** Some early Monarch (WM-) burners were equipped with FM100 combustion managers. When replacing combustion managers or step motors, please ensure the same version is used, no conversion from FM100 to FM50 is possible.

"n.a." indicates not applicable.

"Kit" or "Other" indicates that this is not a Price Category item; contact Inside Sales for pricing.

"t.b.d." indicates to be determined

Weishaupt		WL20	WL30	WL40	
General Info	Price List Section:	7.3, 8.3			
	Parts Catalog Section	28			
	Applies to burner part numbers	7160309	7160310	7160311	
	Accurate as of:	07/01/2012			

Parts List

Please refer to: **Parts List**
 Pos. Description

Part Numbers / Price Categories

010	Combustion Manager	7834 042 ⁴⁴ 600 337	7834 043 ⁵⁷ 600 385	7834 043 ⁵⁷ 600 385	
020	Flame Sensor	7834 039 ¹⁴ 241 310 1201/2	7834 039 ¹⁴ 241 310 1201/2	7834 039 ¹⁴ 241 310 1201/2	
040	Ignition Electrode	7834 068 ¹² 241 210 1004/7	9543 660 ¹⁰ 241 300 1025/7	9543 660 ¹⁰ 241 300 1025/7	
050	Ignition Transformer 110v	9543 783 ²⁴ 603 195	9543 783 ²⁴ 603 195	9543 783 ²⁴ 603 195	
060	Ignition Line	7834 040 ¹⁴ 241 210 1102/2	7834 041 ¹⁴ 241 310 1103/2	7834 041 ¹⁴ 241 310 1103/2	
080	Step Motor	7834 054 ⁴⁰ 651 102	7834 055 ³⁹ 651 103	7834 055 ³⁹ 651 103	
090	Burner Motor - Please see burner motor chart	t.b.d. ^{n.a.}	t.b.d. ^{n.a.}	t.b.d. ^{n.a.}	
100	Oil Pump	7834 050 ³⁵ 601 213	9543 781 ³⁶ 19-601 218	9543 781 ³⁶ 19-601 218	
110	Oil Pump Set #1(Filter/Gasket)	9560 185 ⁹ 601 101	9560 185 ⁹ 601 101	9560 185 ⁹ 601 101	
120	Solenoid Valve Coil, 483764 9W	9560 438 ²¹ 604 452	9560 438 ²¹ 604 452	9560 438 ²¹ 604 452	

Notes:

"n.a." indicates not applicable.

"Kit" or "Other" indicates that this is not a Price Category item; contact Inside Sales for pricing.

"t.b.d." indicates to be determined

Weishaupt	WM-L10/2 Two Stage	WM-L10/3-4 Two Stage	WM-L10/2-4 Full Mod.	
General Info	Price List Section:	7.3, 8.3		
	Parts Catalog Section	28		
	Applies to burner part numbers	7142601	7160332-333	7423176-178
	Accurate as of:	07/01/2012		

Parts List

Please refer to: Parts List
Pos. Description

Part Numbers / Price Categories

Pos.	Description	Part Numbers / Price Categories
010 *1	Combustion Manager W-FM50 *	7834 044 ⁹² 600 401
011 *1	Combustion Manager W-FM100 *	7452 063 ¹²² 600 452
020	Flame Sensor QRB1A-B030A25A	7834 045 ¹³ 600 593
040	Ignition Electrode	7834 070 ⁹ 211 104 1004/7
050	Ignition Transformer 110v	9560 184 ⁴⁵ 603 197
060	Ignition Line	7452 061 ¹¹ 211 104 1101/2
080 *1	Step Motor W-FM50 *	7834 057 ⁶⁰ 651 487
081 *1	Step Motor W-FM100 *	7834 056 ⁶⁵ 651 470
090	Burner Motor - Please see burner motor chart	t.b.d. ^{n.a.}
100	Oil Pump	7834 065 ⁴⁰ 19-211 104 0602/2
110	Oil Pump Set (Filter / Gasket)	7423 612 ⁹ 601 102
120	Solenoid Valve Coil	9560 438 ²¹ 604 452

Notes:

*1 IMPORTANT Some early Monarch (WM-) burners were equipped with FM100 combustion managers. When replacing combustion managers or step motors, please ensure the same version is used, no conversion from FM100 to FM50 is possible.

"n.a." indicates not applicable.

"Kit" or "Other" indicates that this is not a Price Category item; contact Inside Sales for pricing.

"t.b.d." indicates to be determined

Weishaupt	WM-L20/1-2 Two Stage	WM-L20/3 Two Stage	WM-L20/1-2 Full Mod.	WM-L20/3 Full Mod.
General Info	Price List Section:	7.3, 8.3		
	Parts Catalog Section	28		
	Applies to burner part numbers	7423173-174	7423175	7423179-180 7423181
	Accurate as of:	07/01/2012		

Parts List

Please refer to: **Parts List**
Pos. Description

Part Numbers / Price Categories

010 *1	Combustion Manager W-FM50 *	7834 044 ⁹² 600 401	7834 044 ⁹² 600 401	7834 044 ⁹² 600 401	7834 044 ⁹² 600 401
011 *1	Combustion Manager W-FM100 *	7452 063 ¹²² 600 452	7452 063 ¹²² 600 452	7452 063 ¹²² 600 452	7452 063 ¹²² 600 452
020	Flame Sensor QRB1A-B030A25A	7834 045 ¹³ 600 593	7834 045 ¹³ 600 593	7834 045 ¹³ 600 593	7834 045 ¹³ 600 593
040	Ignition Electrode	7834 070 ⁹ 211 104 1004/7	7834 070 ⁹ 211 104 1004/7	7834 070 ⁹ 211 104 1004/7	7834 070 ⁹ 211 104 1004/7
050	Ignition Transformer 110v	9560 184 ⁴⁵ 603 197	9560 184 ⁴⁵ 603 197	9560 184 ⁴⁵ 603 197	9560 184 ⁴⁵ 603 197
060	Ignition Cable	7452 060 ¹⁰ 211 204 1101/2	7452 060 ¹⁰ 211 204 1101/2	7452 060 ¹⁰ 211 204 1101/2	7452 060 ¹⁰ 211 204 1101/2
080 *1	Step Motor W-FM50 *	7834 057 ⁶⁰ 651 487	7834 057 ⁶⁰ 651 487	7834 057 ⁶⁰ 651 487	7834 057 ⁶⁰ 651 487
081 *1	Step Motor W-FM100 *	7834 056 ⁶⁵ 651 470	7834 056 ⁶⁵ 651 470	7834 056 ⁶⁵ 651 470	7834 056 ⁶⁵ 651 470
090	Burner Motor - Please see burner motor chart	t.b.d. ^{n.a.}	t.b.d. ^{n.a.}	t.b.d. ^{n.a.}	t.b.d. ^{n.a.}
100	Oil Pump	9549 579 ⁵¹ 601 150	7834 049 ⁶⁰ 601 151	7423 617 ¹¹⁰ 601 050	7834 047 ¹¹² 601 051
110	Oil Pump Set (Filter / Gasket)	9543 765 ¹⁰ 601 066	9543 765 ¹⁰ 601 066	n.a. ^{n.a.}	n.a. ^{n.a.}
120	Solenoid Valve Coil	9560 438 ²¹ 604 452	9560 438 ²¹ 604 452	7834 052 ²⁴ 604 554	7834 052 ²⁴ 604 554

Notes:

*1 IMPORTANT Some early Monarch (WM-) burners were equipped with FM100 combustion managers. When replacing combustion managers or step motors, please ensure the same version is used, no conversion from FM100 to FM50 is possible.

"n.a." indicates not applicable.

"Kit" or "Other" indicates that this is not a Price Category item; contact Inside Sales for pricing.

"t.b.d." indicates to be determined

Weishaupt	WM-GL10/1-2 Two Stage	WM-GL10/3 Two Stage	WM-GL10/2-3 Full Mod.	
General Info	Price List Section:	7.3, 8.3		
	Parts Catalog Section	28		
	Applies to burner part numbers	7423186	7423188	7423192
		7423187		7423193
	Accurate as of:	07/01/2012		

Parts List

Please refer to: Parts List
Pos. Description

Part Numbers / Price Categories

Pos.	Description	Part Numbers / Price Categories	Part Numbers / Price Categories	Part Numbers / Price Categories
010	Combustion Manager W-FM100	7452 063 ¹²² 600 452	7452 063 ¹²² 600 452	7452 063 ¹²² 600 452
020	Flame Sensor	7834 046 ⁶² 600 651	7834 046 ⁶² 600 651	7834 046 ⁶² 600 651
040	Ignition Electrode	7834 070 ⁹ 211 104 1004/7	7834 070 ⁹ 211 104 1004/7	7834 070 ⁹ 211 104 1004/7
050	Ignition Transformer	9560 184 ⁴⁵ 603 197	9560 184 ⁴⁵ 603 197	9560 184 ⁴⁵ 603 197
060	Ignition Cable	7452 062 ¹¹ 210 104 1102/2	7452 062 ¹¹ 210 104 1102/2	7452 062 ¹¹ 210 104 1102/2
080	Step Motor W-FM100	7834 056 ⁶⁵ 651 470	7834 056 ⁶⁵ 651 470	7834 056 ⁶⁵ 651 470
090	Burner Motor - Please see burner motor chart	t.b.d. ^{n.a.}	t.b.d. ^{n.a.}	t.b.d. ^{n.a.}
100	Oil Pump	7834 065 ⁴⁰ 19-211 104 0602/2	7834 069 ⁴² 19-211 104 0603/2	7834 048 ⁴³ 601 125
110	Oil Pump Set (Filter / Gasket)	7423 612 ⁹ 601 102	7423 612 ⁹ 601 102	n.a. ^{n.a.}
120	Solenoid Valve Coil	9560 438 ²¹ 604 452	9560 438 ²¹ 604 452	7423 618 ²³ 604 620

Notes:

"n.a." indicates not applicable.

"Kit" or "Other" indicates that this is not a Price Category item; contact Inside Sales for pricing.

"t.b.d." indicates to be determined

Weishaupt		WM-GL20/2 Two Stage	WM-GL20/2 Full Mod.	WM-GL20/3 Two Stage	WM-GL20/3 Full Mod.
General Info	Price List Section:	7.3, 8.3			
	Parts Catalog Section	28			
	Applies to burner part numbers	7423189	7423194	7423190	7423195
	Accurate as of:	07/01/2012			

Parts List

Please refer to: Parts List
Pos. Description

Part Numbers / Price Categories

Pos.	Description	Part Numbers / Price Categories	Part Numbers / Price Categories	Part Numbers / Price Categories	Part Numbers / Price Categories
010	Combustion Manager W-FM100	7452 063 ¹²² 600 452	7452 063 ¹²² 600 452	7452 063 ¹²² 600 452	7452 063 ¹²² 600 452
020	Flame Sensor	7834 046 ⁶² 600 651	7834 046 ⁶² 600 651	7834 046 ⁶² 600 651	7834 046 ⁶² 600 651
040	Ignition Electrode OIL	7834 070 ⁹ 211 104 1004/7	7834 070 ⁹ 211 104 1004/7	7834 070 ⁹ 211 104 1004/7	7834 070 ⁹ 211 104 1004/7
041	Ignition Electrode GAS	7834 072 ¹² 218 204 1409/7	7834 072 ¹² 218 204 1409/7	7834 072 ¹² 218 204 1409/7	7834 072 ¹² 218 204 1409/7
050	Ignition Transformer	7834 051 ³⁷ 603 199	7834 051 ³⁷ 603 199	7834 051 ³⁷ 603 199	7834 051 ³⁷ 603 199
060	Ignition Cable OIL	7452 059 ¹¹ 217 204 1101/2	7452 059 ¹¹ 217 204 1101/2	7452 059 ¹¹ 217 204 1101/2	7452 059 ¹¹ 217 204 1101/2
061	Ignition Cable with Pin GAS	7452 058 ²⁰ 218 204 1101/2	7452 058 ²⁰ 218 204 1101/2	7452 058 ²⁰ 218 204 1101/2	7452 058 ²⁰ 218 204 1101/2
080	Step Motor	7834 056 ⁶⁵ 651 470	7834 056 ⁶⁵ 651 470	7834 056 ⁶⁵ 651 470	7834 056 ⁶⁵ 651 470
090	Burner Motor - Please see burner motor chart	t.b.d. ^{n.a.}	t.b.d. ^{n.a.}	t.b.d. ^{n.a.}	t.b.d. ^{n.a.}
100	Oil Pump	9549 579 ⁵¹ 601 150	7423 617 ¹¹⁰ 601 050	7834 049 ⁶⁰ 601 151	7834 047 ¹¹² 601 051
110	Oil Pump Set (Filter / Gasket)	9543 765 ¹⁰ 601 066	n.a. ^{n.a.}	9543 765 ¹⁰ 601 066	n.a. ^{n.a.}
120	Solenoid Valve Coil	9560 438 ²¹ 604 452	7834 052 ²⁴ 604 554	9560 438 ²¹ 604 452	7834 052 ²⁴ 604 554

Notes:

"n.a." indicates not applicable.

"Kit" or "Other" indicates that this is not a Price Category item; contact Inside Sales for pricing.

"t.b.d." indicates to be determined

Weishaupt	Gas Pressure Switches	
------------------	------------------------------	--

General Info	Price List Section:	7.3, 8.3
	Parts Catalog Section	28
	Accurate as of:	07/01/2012

Parts List

Please refer to: Parts List
 Pos. Description

Part Numbers / Price Categories

Antunes for Monarch-Series

001	Low Gas Pressure Switch 1-6"WC	9560 632 ³⁵ LGPA16		
002	Low Gas Pressure Switch 2-14"WC	9543 785 ²⁵ LGPA214		
003	Low Gas Pressure Switch 6-24"WC	7452 056 ²³ LGPA624		
004	Low Gas Pressure Switch 10-50"WC	7452 057 ²⁷ LGPA1050		
005	Low Gas Pressure Switch 1-7 PSI	7452 055 ³³ LGPH17		
006	High Gas Pressure Switch 2-16"WC	9560 658 ³⁵ HGPA216		
007	High Gas Pressure Switch 5-28"WC	7452 054 ²⁷ HGPA528		
008	High Gas Pressure Switch 10-50"WC	9543 784 ²⁴ HGPA1050		
009	High Gas Pressure Switch 1-7 PSI	7452 053 ³⁴ HGPH17		

Dungs for W-Series

010	Low Gas Pressure Switch 1-20"WC	7452 049 ²⁵ 460 164		
011	Low Gas Pressure Switch 12-60"WC	7452 048 ²⁸ 460 166		
012	Low Gas Pressure Switch 40-200"WC	7452 047 ²⁵ 460 168		
013	High Gas Pressure Switch 1-20"WC	7452 052 ²⁵ 460 154		
014	High Gas Pressure Switch 12-60"WC	7452 051 ²¹ 460 156		
015	High Gas Pressure Switch 40-200"WC	7452 050 ²⁵ 460 158		

Notes:

"n.a." indicates not applicable.
 "Kit" or "Other" indicates that this is not a Price Category item; contact Inside Sales for pricing.
 "t.b.d." indicates to be determined

Weishaupt	Gas Valve Actuators	
------------------	----------------------------	--

General Info	Price List Section:	7.3, 8.3
	Parts Catalog Section	28
	Accurate as of:	07/01/2012

Parts List

Please refer to: **Parts List**
 Pos. Description

Part Numbers / Price Categories

001	Gas Valve Actuator (On/Off, w POC) SKP15	7423 611 ⁴⁴ SKP15.011U1			
002	Gas Valve Actuator (On/Off,no POC) SKP15	7439 290 ⁴⁰ SKP15.013U1			
003	Gas Valve Actuator (Reg. w POC) SKP25	7416 147 ⁵⁴ SKP25.011U1			
004	Gas Valve Actuator (Reg.,no POC) SKP25	7439 289 ⁵⁰ SKP25.013U1			

Notes:

- "n.a." indicates not applicable.
- "Kit" or "Other" indicates that this is not a Price Category item; contact Inside Sales for pricing.
- "t.b.d." indicates to be determined

Weishaupt	110/1/60	240/1/60	208/3/60	460/3/60
------------------	-----------------	-----------------	-----------------	-----------------

General Info Price List Section: 7.3, 8.3
 Parts Catalog Section: 28
 Accurate as of: 07/01/2012

Parts List

Please refer to: Parts List
 Pos. Description

Part Numbers / Price Categories

Linkaged

001	WG20	9549 629 ⁴⁵ 241 200 0712/0	n.a. ^{n.a.}	n.a. ^{n.a.}	n.a. ^{n.a.}
002	WG30, WL30, WGL30	9549 618 ⁶¹ 241 300 0707/0	n.a. ^{n.a.}	n.a. ^{n.a.}	n.a. ^{n.a.}
003	G1, L1, GL1	7452 025 ⁹⁵ 111 153 0752/0	7452 026 ⁹⁵ 111 153 0751/0	7452 023 ⁹³ 111 155 0709/0	7452 024 ⁹³ 111 155 0702/0
004	G3, L3, RL3, GL3, RGL3	9543 760 ⁹⁶ 111 353 0752/0	7452 021 ⁹⁶ 111 353 0751/0	7452 023 ⁹³ 111 155 0709/0	7452 024 ⁹³ 111 155 0702/0
005	G5, L5, RL5, GL5, RGL5	9543 760 ⁹⁶ 111 353 0752/0	7452 021 ⁹⁶ 111 353 0751/0	7452 017 ⁹⁵ 111 555 0718/0	9560 627 ⁹⁹ 111 555 0702/0
006	G7, L7, RL7, GL7, RGL7	n.a. ^{n.a.}	n.a. ^{n.a.}	9549 634 ¹⁰⁷ 111 765 0731/0	7452 016 ¹⁰⁷ 111 765 0720/0

Linkageless

001	WG20	7452 046 ⁴⁰ 652 087	t.b.d. ^{n.a.}	n.a. ^{n.a.}	n.a. ^{n.a.}
002	WG30	7452 044 ⁶⁵ 652 124	t.b.d. ^{n.a.}	n.a. ^{n.a.}	n.a. ^{n.a.}
003	WG40	7452 042 ⁷¹ 652 059	t.b.d. ^{n.a.}	n.a. ^{n.a.}	n.a. ^{n.a.}
004	WL20	7452 045 ⁴⁰ 652 086	t.b.d. ^{n.a.}	n.a. ^{n.a.}	n.a. ^{n.a.}
005	WL30	7452 043 ⁶⁵ 652 123	t.b.d. ^{n.a.}	n.a. ^{n.a.}	n.a. ^{n.a.}
006	WL40	7452 041 ⁷¹ 652 058	t.b.d. ^{n.a.}	n.a. ^{n.a.}	n.a. ^{n.a.}
007	WM-G10/1-2, WM-L10/2, WM-GL10/1-2	7452 040 ⁹⁹ 211 103 0703/0	7452 039 ⁹⁷ 211 103 0702/0	7452 038 ⁹⁴ 211 104 0706/0	7452 037 ⁹² 211 104 0716/0
008	WM-G10/3-4, WM-L10/3-4, WM-GL10/3	7452 040 ⁹⁹ 211 103 0703/0	7452 039 ⁹⁷ 211 103 0702/0	7452 035 ⁹⁵ 211 105 0707/0	7452 034 ⁹⁶ 211 105 0705/0
009	WM-G20/2, WM-L20/1	n.a. ^{n.a.}	n.a. ^{n.a.}	7452 032 ¹²³ 211 203 0715/0	7452 031 ¹²⁴ 211 203 0718/0
010	WM-G20/3, WM-L20/2, WM-GL20/2	n.a. ^{n.a.}	n.a. ^{n.a.}	7452 029 ¹²⁷ 211 204 0716/0	7452 028 ¹²⁷ 211 204 0715/0
011	WM-L20/3, WM-GL20/3	n.a. ^{n.a.}	n.a. ^{n.a.}	7452 011 ¹²⁹ 211 205 0710/0	7452 010 ¹²⁹ 212 205 0706/0

Notes:

"n.a." indicates not applicable.

"Kit" or "Other" indicates that this is not a Price Category item; contact Inside Sales for pricing.

"t.b.d." indicates to be determined

Weishaupt	575/3/60	
------------------	-----------------	--

General Info Price List Section: 7.3, 8.3
 Parts Catalog Section: 28
 Accurate as of: 07/01/2012

Parts List

Please refer to: Parts List
 Pos. Description

Part Numbers / Price Categories

Linkaged

001	WG20	n.a. ^{n.a.}		
002	WG30, WL30, WGL30	n.a. ^{n.a.}		
003	G1, L1, GL1	7452 022 ⁹³ 111 155 0714/0		
004	G3, L3, RL3, GL3, RGL3	7452 022 ⁹³ 111 155 0714/0		
005	G5, L5, RL5, GL5, RGL5	7452 018 ⁹⁶ 111 555 0712/0		
006	G7, L7, RL7, GL7, RGL7	7452 014 ¹⁰⁷ 111 765 0735/0		

Linkageless

001	WG20	n.a. ^{n.a.}		
002	WG30	n.a. ^{n.a.}		
003	WG40	n.a. ^{n.a.}		
004	WL20	n.a. ^{n.a.}		
005	WL30	n.a. ^{n.a.}		
006	WL40	n.a. ^{n.a.}		
007	WM-G10/1-2, WM-L10/2, WM-GL10/1-2	7452 036 ⁹⁴ 211 104 0708/0		
008	WM-G10/3-4, WM-L10/3-4, WM-GL10/3	7452 033 ⁹⁶ 211 105 0708/0		
009	WM-G20/2, WM-L20/1	7452 030 ¹²³ 211 203 0710/0		
010	WM-G20/3, WM-L20/2, WM-GL20/2	7452 027 ¹²⁷ 211 204 0710/0		
011	WM-L20/3, WM-GL20/3	t.b.d. ^{n.a.}		

Notes:

"n.a." indicates not applicable.
 "Kit" or "Other" indicates that this is not a Price Category item; c
 "t.b.d." indicates to be determined

Riello		G750 SS	G900 TS	
General Info	Price List Section:	7.3, 8.3		
	Parts Catalog Section	29		
	Applies to burner part numbers	9560880	9560881	
		9560887	9560888	
	Accurate as of:	07/01/2012		

Parts List

Please refer to: Parts List
 Pos. Description

Part Numbers / Price Categories

010	Primary Control	7834 890 ⁵⁰ 3013072	7834 890 ⁵⁰ 3013072		
030	Ionization Electrode	7834 893 ¹⁵ 3020209	7834 893 ¹⁵ 3020209		
040	Ignition Electrode	7834 898 ¹⁰ 3006706	7834 898 ¹⁰ 3006706		
050	Ignition Transformer 110v	7834 911 ⁴⁴ 3002462	7834 911 ⁴⁴ 3002462		
060	Ignition Cable	7834 916 ¹⁰ 3002461	7834 916 ¹⁰ 3002461		
061	Ionization Cable	9560 508 ⁵ 3007310	9560 508 ⁵ 3007310		
070	Air Pressure Switch	9549 654 ³⁰ 3020321	9549 654 ³⁰ 3020321		
080	Servomotor	7834 923 ¹⁰⁷ 3007523	7834 923 ¹⁰⁷ 3007523		
090	Burner Motor	t.b.d. ^{n.a.}	t.b.d. ^{n.a.}		

Notes:

"n.a." indicates not applicable.

"Kit" or "Other" indicates that this is not a Price Category item; contact Inside Sales for pricing.

"t.b.d." indicates to be determined

Riello	RS28/M	RS38/M	RS50/M	
General Info	Price List Section:	7.3, 8.3		
	Parts Catalog Section	29		
	Applies to burner part numbers	9560882	9560883	9560884
		9560889	9560890	9560891
	Accurate as of:	07/01/2012		

Parts List

Please refer to: Parts List
 Pos. Description

Part Numbers / Price Categories

Pos.	Description	RS28/M	RS38/M	RS50/M	
010	Burner Control	9543 620 ⁴⁵ C5830008	9543 620 ⁴⁵ C5830008	9543 620 ⁴⁵ C5830008	
030	Ionization Electrode	7834 894 ¹⁵ 3012174	7834 894 ¹⁵ 3012174	7834 894 ¹⁵ 3012174	
040	Ignition Electrode	7834 899 ¹⁹ 3013136	7834 899 ¹⁹ 3013136	7834 899 ¹⁹ 3013136	
050	Ignition Transformer 110v	7834 912 ²⁶ 3012956	7834 912 ²⁶ 3012956	7834 912 ²⁶ 3012956	
060	Ionization Cable	7834 914 ⁶ 3003848	7834 914 ⁶ 3003848	7834 914 ⁶ 3003848	
061	Ignition Cable	7834 917 ⁷ 3012995	7834 917 ⁷ 3012995	7834 917 ⁷ 3012995	
070	Air Pressure Switch	7834 921 ³³ 3012948	7834 921 ³³ 3012948	7834 921 ³³ 3012948	
080	Servomotor	7834 924 ⁵⁵ 3013008	7834 924 ⁵⁵ 3013008	7834 924 ⁵⁵ 3013008	
090	Burner Motor - Please see burner motor chart	t.b.d. ^{n.a.}	t.b.d. ^{n.a.}	t.b.d. ^{n.a.}	

Notes:

"n.a." indicates not applicable.

"Kit" or "Other" indicates that this is not a Price Category item; contact Inside Sales for pricing.

"t.b.d." indicates to be determined

Riello		RS70/M	RS100/M	RS130/M	
General Info	Price List Section:	7.3, 8.3			
	Parts Catalog Section	29			
	Applies to burner part numbers	9560885	9560886	9537576	
		9560892	9560893		
	Accurate as of:	07/01/2012			

Parts List

Please refer to: Parts List
 Pos. Description

Part Numbers / Price Categories

010	Burner Control	9543 620 ⁴⁵ C5830008	9543 620 ⁴⁵ C5830008	9543 620 ⁴⁵ C5830008	
030	Ionization Electrode	7834 895 ¹⁵ 3012175	7834 895 ¹⁵ 3012175	7834 897 ¹⁵ 3012176	
040	Ignition Electrode	7834 900 ¹⁸ 3012960	7834 900 ¹⁸ 3012960	7834 901 ¹⁸ 3013128	
050	Ignition Transformer 110v	7834 912 ²⁶ 3012956	7834 912 ²⁶ 3012956	7834 912 ²⁶ 3012956	
060	Ionization Cable	7834 915 ¹¹ 3012958	7834 915 ¹¹ 3012958	7834 915 ¹¹ 3012958	
061	Ignition Cable	7834 918 ⁸ 3012959	7834 918 ⁸ 3012959	7834 918 ⁸ 3012959	
070	Gas Pressure Switch	7834 920 ²⁹ C5332011	7834 920 ²⁹ C5332011	7834 920 ²⁹ C5332011	
071	Air Pressure Switch	7834 921 ³³ 3012948	7834 921 ³³ 3012948	7834 921 ³³ 3012948	
080	Servomotor	7834 925 ¹¹² 3012944	7834 925 ¹¹² 3012944	7834 925 ¹¹² 3012944	
090	Burner Motor - Please see burner motor chart	t.b.d. ^{n.a.}	t.b.d. ^{n.a.}	t.b.d. ^{n.a.}	

Notes:

"n.a." indicates not applicable.

"Kit" or "Other" indicates that this is not a Price Category item; contact Inside Sales for pricing.

"t.b.d." indicates to be determined

Riello		RS45/M LN	RS68/M LN	RS120/M LN	
General Info	Price List Section:	7.3, 8.3			
	Parts Catalog Section	29			
	Applies to burner part numbers	9560900	9560901	9560902	
	Accurate as of:	07/01/2012			

Parts List

Please refer to: Parts List
Pos. Description

Part Numbers / Price Categories

010	Burner Control	9543 620 ⁴⁵ C5830008	9543 620 ⁴⁵ C5830008	9543 620 ⁴⁵ C5830008	
030	Ionization Electrode	7834 896 ¹⁶ 3012173	7834 897 ¹⁵ 3012176	7834 897 ¹⁵ 3012176	
040	Ignition Electrode	7834 902 ¹⁰ 3013097	7834 903 ¹⁹ 3013081	7834 903 ¹⁹ 3013081	
050	Ignition Transformer 110v	7834 912 ²⁶ 3012956	7834 912 ²⁶ 3012956	7834 912 ²⁶ 3012956	
060	Ionization Cable	7834 914 ⁶ 3003848	7834 915 ¹¹ 3012958	7834 915 ¹¹ 3012958	
061	Ignition Cable	7834 917 ⁷ 3012995	7834 918 ⁸ 3012959	7834 918 ⁸ 3012959	
070	Gas Pressure Switch	n.a. ^{n.a.}	7834 920 ²⁹ C5332011	7834 920 ²⁹ C5332011	
071	Air Pressure Switch	7834 921 ³³ 3012948	7834 921 ³³ 3012948	7834 921 ³³ 3012948	
080	Servomotor	7834 924 ⁵⁵ 3013008	7834 925 ¹¹² 3012944	7834 925 ¹¹² 3012944	
090	Burner Motor - Please see burner motor chart	t.b.d. ^{n.a.}	t.b.d. ^{n.a.}	t.b.d. ^{n.a.}	

Notes:

"n.a." indicates not applicable.

"Kit" or "Other" indicates that this is not a Price Category item; contact Inside Sales for pricing.

"t.b.d." indicates to be determined

Riello	F15	F20	
---------------	------------	------------	--

General Info Price List Section: 7.3, 8.3
 Parts Catalog Section 29
 Applies to burner part numbers 9560869 9560925
 Accurate as of: 07/01/2012

Parts List

Please refer to: Parts List
 Pos. Description

Part Numbers / Price Categories

Pos.	Description	Part Numbers	Price Categories		
010	Primary Control	9543 609 ³² C7001029	9543 609 ³² C7001029		
020	Photocell	9543 490 ⁸ 3002280	9543 490 ⁸ 3002280		
040	Ignition Electrode	7834 904 ¹⁵ 3005902	7834 904 ¹⁵ 3005902		
090	Burner Motor - Please see burner motor chart	t.b.d. ^{n.a.}	t.b.d. ^{n.a.}		
100	Oil Pump	9543 616 ²⁷ C7001010	7834 939 ²⁹ C7001011		
110	Oil Pump Filter	9560 678 ⁴ 3005719	9560 678 ⁴ 3005719		
120	Solenoid Valve Coil	9543 489 ¹⁰ 3002279	9543 489 ¹⁰ 3002279		

Notes:

"n.a." indicates not applicable.

"Kit" or "Other" indicates that this is not a Price Category item; contact Inside Sales for pricing.

"t.b.d." indicates to be determined

Riello		RL28/2	RL38/2	RL50/2	
General Info	Price List Section:	7.3, 8.3			
	Parts Catalog Section	29			
	Applies to burner part numbers	9560870	9560871	9560872	
	Accurate as of:	07/01/2012			

Parts List

Please refer to: Parts List
 Pos. Description

Part Numbers / Price Categories

010	Burner Control	9549 605 ⁴⁴ C5830009	9549 605 ⁴⁴ C5830009	9549 605 ⁴⁴ C5830009	
020	Photocell	7834 891 ²⁹ 3006216	7834 891 ²⁹ 3006216	7834 891 ²⁹ 3006216	
040	Ignition Electrode	7834 905 ¹⁰ 3003796	7834 905 ¹⁰ 3003796	7834 905 ¹⁰ 3003796	
050	Ignition Transformer 110v	7834 913 ²⁹ 3012938	7834 913 ²⁹ 3012938	7834 913 ²⁹ 3012938	
060	Ignition Cable	7834 917 ⁷ 3012995	7834 917 ⁷ 3012995	7834 917 ⁷ 3012995	
090	Burner Motor - Please see burner motor chart	t.b.d. ^{n.a.}	t.b.d. ^{n.a.}	t.b.d. ^{n.a.}	
100	Oil Pump	7834 940 ³³ 3013027	7834 940 ³³ 3013027	7834 940 ³³ 3013027	
110	Oil Pump Filter	7834 945 ¹¹ 3003082	7834 945 ¹¹ 3003082	7834 945 ¹¹ 3003082	
120	Solenoid Valve Coil	7834 948 ¹⁷ 3013016	7834 948 ¹⁷ 3013016	7834 948 ¹⁷ 3013016	

Notes:

"n.a." indicates not applicable.

"Kit" or "Other" indicates that this is not a Price Category item; contact Inside Sales for pricing.

"t.b.d." indicates to be determined

Riello		RL28/M	RL38/M	RL50/M	
General Info	Price List Section:	7.3, 8.3			
	Parts Catalog Section	29			
	Applies to burner part numbers	9560875	9560876	9560877	
	Accurate as of:	07/01/2012			

Parts List

Please refer to: Parts List
 Pos. Description

Part Numbers / Price Categories

010	Burner Control	9549 605 ⁴⁴ C5830009	9549 605 ⁴⁴ C5830009	9549 605 ⁴⁴ C5830009	
020	Photocell	7834 891 ²⁹ 3006216	7834 891 ²⁹ 3006216	7834 891 ²⁹ 3006216	
040	Ignition Electrode	7834 905 ¹⁰ 3003796	7834 905 ¹⁰ 3003796	7834 905 ¹⁰ 3003796	
050	Ignition Transformer 110v	7834 913 ²⁹ 3012938	7834 913 ²⁹ 3012938	7834 913 ²⁹ 3012938	
060	Ignition Cable	7834 917 ⁷ 3012995	7834 917 ⁷ 3012995	7834 917 ⁷ 3012995	
080	Servomotor	7834 924 ⁵⁵ 3013008	7834 924 ⁵⁵ 3013008	7834 924 ⁵⁵ 3013008	
090	Burner Motor - Please see burner motor chart	t.b.d. ^{n.a.}	t.b.d. ^{n.a.}	t.b.d. ^{n.a.}	
100	Oil Pump	7834 941 ⁴⁰ 3013030	7834 941 ⁴⁰ 3013030	7834 941 ⁴⁰ 3013030	
110	Oil Pump Filter	7834 945 ¹¹ 3003082	7834 945 ¹¹ 3003082	7834 945 ¹¹ 3003082	
120	Solenoid Valve Coil	7834 948 ¹⁷ 3013016	7834 948 ¹⁷ 3013016	7834 948 ¹⁷ 3013016	

Notes:

"n.a." indicates not applicable.

"Kit" or "Other" indicates that this is not a Price Category item; contact Inside Sales for pricing.

"t.b.d." indicates to be determined

Riello	RL70/2	RL100/2	RL70/M	RL100/M
General Info	Price List Section: 7.3, 8.3			
	Parts Catalog Section 29			
	Applies to burner part numbers 9560873	9560874	9560878	9560879
	Accurate as of: 07/01/2012			

Parts List

Please refer to: Parts List
Pos. Description

Part Numbers / Price Categories

010	Burner Control	9549 605 ⁴⁴ C5830009	9549 605 ⁴⁴ C5830009	9549 605 ⁴⁴ C5830009	9549 605 ⁴⁴ C5830009
020	Photocell	7834 891 ²⁹ 3006216	7834 891 ²⁹ 3006216	7834 891 ²⁹ 3006216	7834 891 ²⁹ 3006216
040	Ignition Electrode	7834 905 ¹⁰ 3003796	7834 905 ¹⁰ 3003796	7834 905 ¹⁰ 3003796	7834 905 ¹⁰ 3003796
050	Ignition Transformer 110v	7834 913 ²⁹ 3012938	7834 913 ²⁹ 3012938	7834 913 ²⁹ 3012938	7834 913 ²⁹ 3012938
060	Ignition Cable	7834 918 ⁸ 3012959	7834 918 ⁸ 3012959	7834 918 ⁸ 3012959	7834 918 ⁸ 3012959
080	Servomotor	n.a. ^{n.a.}	n.a. ^{n.a.}	7834 925 ¹¹² 3012944	7834 925 ¹¹² 3012944
090	Burner Motor - Please see burner motor chart	t.b.d. ^{n.a.}	t.b.d. ^{n.a.}	t.b.d. ^{n.a.}	t.b.d. ^{n.a.}
100	Oil Pump	7834 943 ⁵⁰ 3003999	7834 943 ⁵⁰ 3003999	7834 944 ⁵⁶ 3006369	7834 944 ⁵⁶ 3006369
110	Oil Pump Filter	7834 946 ¹³ 3003936	7834 946 ¹³ 3003936	7834 947 ¹⁸ 3006787	7834 947 ¹⁸ 3006787
120	Solenoid Valve Coil	7834 948 ¹⁷ 3013016	7834 948 ¹⁷ 3013016	7834 949 ¹⁵ 3006767	7834 949 ¹⁵ 3006767

Notes:

"n.a." indicates not applicable.

"Kit" or "Other" indicates that this is not a Price Category item; contact Inside Sales for pricing.

"t.b.d." indicates to be determined

Riello		RLS28 TS	RLS38 TS	RLS50 TS	
General Info	Price List Section:	7.3, 8.3			
	Parts Catalog Section	29			
	Applies to burner part numbers	9560894	9560895	9560896	
	Accurate as of:	07/01/2012			

Parts List

Please refer to: Parts List
 Pos. Description

Part Numbers / Price Categories

010	Burner Control	9543 620 ⁴⁵ C5830008	9543 620 ⁴⁵ C5830008	9543 620 ⁴⁵ C5830008	
020	UV Scanner	7834 892 ³³ C5360028	7834 892 ³³ C5360028	7834 892 ³³ C5360028	
040	Ignition Electrode - Left	7834 906 ¹⁷ 3013020	7834 906 ¹⁷ 3013020	7834 906 ¹⁷ 3013020	
041	Ignition Electrode - Right	7834 908 ¹⁷ 3013021	7834 908 ¹⁷ 3013021	7834 908 ¹⁷ 3013021	
050	Ignition Transformer 110v	7834 913 ²⁹ 3012938	7834 913 ²⁹ 3012938	7834 913 ²⁹ 3012938	
060	Ignition Cable	7834 917 ⁷ 3012995	7834 917 ⁷ 3012995	7834 917 ⁷ 3012995	
070	Air Pressure Switch	7834 921 ³³ 3012948	7834 921 ³³ 3012948	7834 921 ³³ 3012948	
071	Oil Pressure Switch	7834 922 ⁵⁰ 3012384	7834 922 ⁵⁰ 3012384	7834 922 ⁵⁰ 3012384	
080	Servomotor	7834 924 ⁵⁵ 3013008	7834 924 ⁵⁵ 3013008	7834 924 ⁵⁵ 3013008	
090	Burner Motor - Please see burner motor chart	t.b.d. ^{n.a.}	t.b.d. ^{n.a.}	t.b.d. ^{n.a.}	
095	Oil Pump Motor	7834 936 ²⁸ 3013018	7834 936 ²⁸ 3013018	7834 936 ²⁸ 3013018	
100	Oil Pump	7834 942 ³⁶ 3013017	7834 942 ³⁶ 3013017	7834 942 ³⁶ 3013017	
110	Oil Pump Filter	n.a. ^{n.a.}	n.a. ^{n.a.}	n.a. ^{n.a.}	
120	Solenoid Valve Coil	7834 948 ¹⁷ 3013016	7834 948 ¹⁷ 3013016	7834 948 ¹⁷ 3013016	

Notes:

"n.a." indicates not applicable.

"Kit" or "Other" indicates that this is not a Price Category item; contact Inside Sales for pricing.

"t.b.d." indicates to be determined

Riello		RLS70 FM	RLS100 FM	RLS130 FM	
General Info	Price List Section:	7.3, 8.3			
	Parts Catalog Section	29			
	Applies to burner part numbers	9560897	9560898	9560899	
	Accurate as of:	07/01/2012			

Parts List

Please refer to: Parts List
 Pos. Description

Part Numbers / Price Categories

Pos.	Description	Part Numbers / Price Categories	Part Numbers / Price Categories	Part Numbers / Price Categories
010	Burner Control	9543 620 ⁴⁵ C5830008	9543 620 ⁴⁵ C5830008	9543 620 ⁴⁵ C5830008
020	UV Scanner	7834 892 ³³ C5360028	7834 892 ³³ C5360028	7834 892 ³³ C5360028
040	Ignition Electrode - Left	7834 907 ²³ 3013040	7834 907 ²³ 3013040	7834 907 ²³ 3013040
041	Ignition Electrode - Right	7834 909 ²³ 3013041	7834 909 ²³ 3013041	7834 909 ²³ 3013041
042	Pilot Ignition Electrode	7834 910 ²⁵ 3013052	7834 910 ²⁵ 3013052	7834 910 ²⁵ 3013052
050	Ignition Transformer 110v	7834 913 ²⁹ 3012938	7834 913 ²⁹ 3012938	7834 913 ²⁹ 3012938
060	Ignition Cable	7834 918 ⁸ 3012959	7834 918 ⁸ 3012959	7834 918 ⁸ 3012959
061	Pilot Ignition Cable	7834 919 ¹³ 3013140	7834 919 ¹³ 3013140	7834 919 ¹³ 3013140
070	Gas Pressure Switch	7834 920 ²⁹ C5332011	7834 920 ²⁹ C5332011	7834 920 ²⁹ C5332011
071	Air Pressure Switch	7834 921 ³³ 3012948	7834 921 ³³ 3012948	7834 921 ³³ 3012948
072	Oil Pressure Switch	7834 922 ⁵⁰ 3012384	7834 922 ⁵⁰ 3012384	7834 922 ⁵⁰ 3012384
080	Servomotor	7834 925 ¹¹² 3012944	7834 925 ¹¹² 3012944	7834 925 ¹¹² 3012944
090	Burner Motor - Please see burner motor chart	t.b.d. ^{n.a.}	t.b.d. ^{n.a.}	t.b.d. ^{n.a.}
095	Oil Pump Motor 208-460V	7834 937 ⁵¹ 3013031	7834 937 ⁵¹ 3013031	7834 937 ⁵¹ 3013031
096	Oil Pump Motor 575V	7834 938 ⁵⁰ 3013063	7834 938 ⁵⁰ 3013063	7834 938 ⁵⁰ 3013063
100	Oil Pump	7834 943 ⁵⁰ 3003999	7834 943 ⁵⁰ 3003999	7834 943 ⁵⁰ 3003999
110	Oil Pump Filter	7834 946 ¹³ 3003936	7834 946 ¹³ 3003936	7834 946 ¹³ 3003936
120	Solenoid Valve Coil	7834 950 ²⁸ 3012952	7834 950 ²⁸ 3012952	7834 950 ²⁸ 3012952

Notes:

"n.a." indicates not applicable.

"Kit" or "Other" indicates that this is not a Price Category item; contact Inside Sales for pricing.

"t.b.d." indicates to be determined

Riello	110/1/60	208-460/3/60	575/3/60	
---------------	-----------------	---------------------	-----------------	--

General Info Price List Section: 7.3, 8.3
 Parts Catalog Section 29

Accurate as of: 07/01/2012

Parts List

Please refer to:		Parts List	Part Numbers / Price Categories			
Pos.	Description	Burner Part Nos.				
090	G750, G900	9560 880, 9560 881, 9560 887, 9560 888	7834 926 ³⁰ 3005845	n.a. ^{n.a.}	n.a. ^{n.a.}	
090	RS28/M	9560 882, 9560 889	7834 927 ⁴⁴ 3012993	n.a. ^{n.a.}	n.a. ^{n.a.}	
090	RS38/M	9560 883, 9560 890	7834 927 ⁴⁴ 3012993	7834 928 ⁴³ 3012994	7834 932 ⁴⁵ 3013057	
090	RS50/M	9560 884, 9560 891	n.a. ^{n.a.}	7834 928 ⁴³ 3012994	7834 932 ⁴⁵ 3013057	
090	RS70/M	9560 885, 9560 892	n.a. ^{n.a.}	7834 929 ⁵³ 3012941	7834 933 ⁵⁵ 3013059	
090	RS100/M	9560 886, 9560 893	n.a. ^{n.a.}	7834 930 ⁶⁰ 3012942	7834 934 ⁶³ 3013060	
090	RS130/M	9537 576	n.a. ^{n.a.}	7834 931 ⁶² 3012943	7834 935 ⁶² 3013061	
090	RS45/M LN	9560 900	7834 927 ⁴⁴ 3012993	n.a. ^{n.a.}	n.a. ^{n.a.}	
090	RS68/M LN	9560 901	n.a. ^{n.a.}	7834 930 ⁶⁰ 3012942	7834 934 ⁶³ 3013060	
090	RS120/M LN	9560 902	n.a. ^{n.a.}	7834 931 ⁶² 3012943	7834 935 ⁶² 3013061	
090	F15, F20	9560 869, 9560 925	7834 926 ³⁰ 3005845	n.a. ^{n.a.}	n.a. ^{n.a.}	
090	RL28/2	9560 870	7834 927 ⁴⁴ 3012993	n.a. ^{n.a.}	n.a. ^{n.a.}	
090	RL38/2	9560 871	7834 927 ⁴⁴ 3012993	7834 928 ⁴³ 3012994	7834 932 ⁴⁵ 3013057	
090	RL50/2	9560 872	n.a. ^{n.a.}	7834 928 ⁴³ 3012994	7834 932 ⁴⁵ 3013057	
090	RL70/2	9560 873	n.a. ^{n.a.}	7834 929 ⁵³ 3012941	7834 933 ⁵⁵ 3013059	
090	RL100/2	9560 874	n.a. ^{n.a.}	7834 930 ⁶⁰ 3012942	7834 934 ⁶³ 3013060	
090	RL28/M	9560 875	7834 927 ⁴⁴ 3012993	n.a. ^{n.a.}	n.a. ^{n.a.}	
090	RL38/M, RL50/M	9560 876, 9560 877	n.a. ^{n.a.}	7834 928 ⁴³ 3012994	7834 932 ⁴⁵ 3013057	
090	RL70/M	9560 878	n.a. ^{n.a.}	7834 929 ⁵³ 3012941	7834 933 ⁵⁵ 3013059	
090	RL100/M	9560 879	n.a. ^{n.a.}	7834 930 ⁶⁰ 3012942	7834 934 ⁶³ 3013060	
090	RLS28, RLS38	9560 894, 9560 895	7834 927 ⁴⁴ 3012993	n.a. ^{n.a.}	n.a. ^{n.a.}	
090	RLS50	9560 896	n.a. ^{n.a.}	7834 928 ⁴³ 3012994	7834 932 ⁴⁵ 3013057	
090	RLS70	9560 897	n.a. ^{n.a.}	7834 929 ⁵³ 3012941	7834 933 ⁵⁵ 3013059	
090	RLS100	9560 898	n.a. ^{n.a.}	7834 930 ⁶⁰ 3012942	7834 934 ⁶³ 3013060	
090	RLS130	9560 899	n.a. ^{n.a.}	7834 931 ⁶² 3012943	7834 935 ⁶² 3013061	

PYROT and PYROTEC Biomass Boilers

PYROT and PYROTEC Biomass Boilers	Pyrot KRT	Pyrotec KPT	
General Info	Price List Section:	10 & 11	
	Parts Catalog Section	30	
	Series Name:	(01/2009 - present)	
	Applies to serials nos. beginning with:		
	Accurate as of:	07/01/2012	

Parts List

Please refer to: Parts List
Pos. Description

Part Numbers / Price Categories

	Electronic parts			
010	Circuit Board, Isolation Valve	7161 525 ²¹	7161 525 ²¹	
012	Infrared Amplifier, 24V	7417 655 ³⁶	7417 655 ³⁶	
050	Programming Unit, BMK (ECOTRONIC)	7161 567 ⁸⁹		
052	Boiler Control KSK1.3D (Pyrot)	7393 633 ⁸³		
054	Battery 3,0V 265mAh CR2330	9619 546 ⁸		
056	Circuit Board (Pyrot Exp) ZPK1.1	9622 452 ⁴⁵		
058	Transformer, 230V NTK2C	7164 066 ²⁸		
060	Control Module RMK1.1A	9622 435 ⁷⁸		
062	Terminal DSUB9	9619 341 ¹³		
064	Circuit Board, Isolation Valve MA04B	7161 525 ²¹		
100	Data Cable w Plug, 10m (standard)		7387 587 ^{Other}	
102	Relay (Siemens) 10A, 3Ph		9622 304 ⁴³	
104	Backwall BUS (Lenze) 8-ch		9622 428 ²²	
106	Backwall BUS (Lenze) 4-ch		7393 711 ¹⁷	
108	Modular I/O System (Lenze)		9622 417 ⁵³	
110	Input Module, dig (Lenze) 8x		9622 163 ³⁵	
112	Output Module, dig (Lenze) 8x		9622 162 ³⁶	
114	Input Module, anal (Lenze) 4x		9622 152 ⁶¹	
116	Input Module, anal (Lenze) 4x		9622 153 ⁵¹	
118	Plug BUS (Lenze)		9622 222 ²⁵	
120	Terminal 11-Pole		9623 245 ¹¹	
122	Touchpanel (Lenze) EL108 TFT 8"		9634 724 ¹³²	
124	Current Protection Relay PIA 01cb235a		9623 481 ³⁰	
126	Infrared Amplifier, PA 11 A 300		9623 320 ³²	
128	Output Module, anlg (Lenze)4x EPM-T320		9622 151 ⁶¹	
130	Plug CAN-BUS EPM-T950		7393 819 ³¹	
150	Sensor, Strap-on QAD 21/201	9622 105 ¹⁷	9622 105 ¹⁷	
152	Sensor #2 (supply,strap-on) w 5.8m cable	7183 288 ¹⁹	7183 288 ¹⁹	
154	Sensor (infrared transmitter)	9619 338 ²⁵		
156	Sensor (infrared receiver)	9619 339 ²⁶		
158	Sensor w Cable (storage tank), KTY	7378 499 ¹¹		
160	Sensor w Cable (st. tnk), KTY B28.2 CE	7378 500 ¹¹		
162	Sensor w Cable (st. tnk), KTY B28.3 CE	9622 515 ¹¹		
164	Sensor (boiler supply), KTY B20	7164 158 ¹¹		
166	Sensor w Cable (boiler return), B20.1	9622 373 ¹¹		
168	Sensor (temperature), PT100 6x100-PS3	9623 356 ²³		
170	Sensor Cable w Counter Plug, 10m	7388 344 ¹⁵		
172	Sensor (flue gas), PT100 1800mm	9623 353 ³⁶		
174	Sensor, Flue Gas PT1000 1800mm B1		9622 168 ³²	
176	Sensor w Cable, PT1000 Ø = 6 L = 2000		9622 420 ¹⁹	
178	Sensor (infrared transmitter)		9623 319 ²⁰	
180	Sensor (infrared receiver)		9623 318 ²⁶	

PYROT and PYROTEC Biomass Boilers

PYROT and PYROTEC Biomass Boilers	Pyrot KRT	Pyrotec KPT	
--	----------------------	------------------------	--

General Info	Price List Section: 10 & 11
	Parts Catalog Section: 30
	Series Name: (01/2009 - present)
	Applies to serials nos. beginning with:
	Accurate as of: 07/01/2012

Parts List

Please refer to: Parts List
Pos. Description

Part Numbers / Price Categories

182	Sensor (infrared amplifier)		7417 655 ³⁶	
200	VFD (Lenze) 4.00kW 3x230V-50Hz		9634 519 ⁹⁵	
202	VFD (Lenze) 2.2kW 3x230V-50Hz	9634 517 ⁷⁸	9634 517 ⁷⁸	
204	VFD (Lenze) 0.75kW 1x230V-50Hz	9619 353 ⁵²	9619 353 ⁵²	
206	VFD (Lenze) 0.55kW 1x230V-50Hz	9619 355 ⁵⁶	9619 355 ⁵⁶	
208	VFD (Lenze) 1.5kW 1x230V-50Hz	9619 361 ⁶⁰	9619 361 ⁶⁰	
210	VFD (Lenze) 2.2kW 400/1/50	9619 354 ⁷³	9619 354 ⁷³	
212	VFD (Lenze) 400V 4,0kW	9619 362 ⁸³	9619 362 ⁸³	
214	VFD (Lenze) 3kW 400/1/50	9619 360 ⁹⁵	9619 360 ⁹⁵	
216	VFD Function Module (Lenze)	9619 357 ²⁵	9619 357 ²⁵	
218	VFD I/O Function Module (Lenze)	9622 313 ⁴⁷	9622 313 ⁴⁷	
220	VFD Function Module (Lenze)	9619 357 ²⁵	9619 357 ²⁵	
222	Wall Mount Base, VFD Func.Mod.	9619 439 ²³	9619 439 ²³	
224	Handheld (Lenze)	5717 450 ²⁰	5717 450 ²⁰	
226	Connection Cable f Prog.Unit	5717 726 ²²	5717 726 ²²	
228	VFD Programming Unit (Lenze)	7161 569 ²⁷	7161 569 ²⁷	
230	Motorstarter "Starttec" 4.0kW	9619 402 ⁵⁷		
232	Motorstarter "Starttec" E71MM402-2A020	9619 404 ⁶¹		
234	Softstarter Asynchronousmotor ATSU 01	5717 902 ⁶⁵		
250	Sensor #1 (Outdoor)	7820 148 ¹⁹	7820 148 ¹⁹	
252	Sensor, Outdoor Temperature QAC2012	9622 454 ²⁰	9622 454 ²⁰	
254	Sensor (outside), QAC 31	9623 005 ¹⁵	9623 005 ¹⁵	
258	Sensor, Lambda LSM 11	7428 341 ⁴³	7428 341 ⁴³	
260	Sensor, Lambda Transducer LSU1.1	9622 382 ²⁹	9622 382 ²⁹	
262	Sensor/Transducer Assly, Lambda LSU1.1	7428 342 ⁵¹	7428 342 ⁵¹	
300	Thermometer Bimetal C/F, 5" 0-250°F	9544 333 ²⁵	9544 333 ²⁵	
302	Thermocouple 0-1200°C		9622 536 ^{n.a.}	
304	Differential Press. Transducer		9622 238 ⁴⁵	
306	Differential Press. Transducer		9622 239 ⁶²	
308	Pressure Scanner KPT		7378 027 ⁴⁹	
Mechanical parts				
350	Fixed High Limit, 710VS-1535	7478 797 ²⁵	7478 797 ²⁵	
352	Fixed High Limit, 230°F/110°C	9623 470 ¹⁶	9623 470 ¹⁶	
354	Fixed High Limit, 212°F/100°C	7393 373 ²¹	7393 373 ²¹	
356	Fixed High Limit, 248°F/120°C	7393 229 ²⁰	7393 229 ²⁰	
358	Fixed High Limit Assly, 230°F/110°C	7424 553 ³⁵	7424 553 ³⁵	
360	Fixed High Limit, RAK-ST.1430S		9622 087 ²⁸	
400	Gasket GF 10 x 3mm (in M)	9622 039 ⁴	9622 039 ⁴	
402	Gasket GF 20 x 3mm (in M)	9622 040 ⁵	9622 040 ⁵	
404	Gasket, D = 15mm soft (in M)	9622 042 ⁵	9622 042 ⁵	

PYROT and PYROTEC Biomass Boilers

PYROT and PYROTEC Biomass Boilers	Pyrot KRT	Pyrotec KPT	
General Info	Price List Section:	10 & 11	
	Parts Catalog Section	30	
	Series Name:	(01/2009 - present)	
	Applies to serials nos. beginning with:		
	Accurate as of:	07/01/2012	

Parts List

Please refer to: Parts List
Pos. Description

Part Numbers / Price Categories

	Description			
406	Gasket GF 20 x 20mm (in M)	9622 044 ⁸	9622 044 ⁸	
408	Gasket GF 30 x 30mm (in M)	9045 107 ¹⁹	9045 107 ¹⁹	
410	Silicon Profile 27x9mm (in M)	9622 079 ¹⁴	9622 079 ¹⁴	
412	Ceramic Packing 27x27mm, 1100°C (in M)	9623 268 ¹⁶	9623 268 ¹⁶	
414	Silicon Profile 8,5/3,5mm (in M)	9631 194 ^D	9631 194 ^D	
416	Packing Gasket, D = 15mm L = 3000mm soft	5553 218 ¹⁴	5553 218 ¹⁴	
418	Silicon Profile 27x9mm (in M)	9622 079 ¹⁴	9622 079 ¹⁴	
420	Silicon Profile 20x20mm (in M)	7393 409 ^D	7393 409 ^D	
422	Straight Pipe Connector	9623 242 ¹⁰	9623 242 ¹⁰	
450	Wire brush M10 x 165mm (reinforced)	9623 113 ¹⁶	9623 113 ¹⁶	
452	Wire Brush 41mm/0.35	9622 236 ¹²	9622 236 ¹²	
454	Wire Brush 52mm/0.35	9622 011 ¹²	9622 011 ¹²	
456	Scraper for burner trough; L = 1300mm	7378 068 ¹⁹	7378 068 ¹⁹	
458	Scraper (Socket, front)	7387 327 ¹⁶	7387 327 ¹⁶	
460	Scraper 3 (Socket, front)	7387 350 ²⁰	7387 350 ²⁰	
462	Spring steel rod 2000/M10 w/ hand cord	7299 380 ²¹	7299 380 ²¹	
464	Scraper (Flame Tube), L = 2800mm	7387 181 ²³	7387 181 ²³	
466	Cleaning Brush Handle (flex) 2500/M10	9623 152 ²²	9623 152 ²²	
468	Scraper for burner chamber, KPT950/1250	7378 692 ²⁵	7378 692 ²⁵	
470	Scraper, L = 1800mm	5713 150 ¹⁸	5713 150 ¹⁸	
472	Spring steel rod 2000/M10 w/ hand cord	7387 586 ²¹	7387 586 ²¹	
500	Water valve AVTA 15; 1/2"; 50-90 Gr.	9622 096 ⁴⁷	9622 096 ⁴⁷	
502	Power Pulse Valve (ASCO) 230/1/50	9622 375 ³²	9622 375 ³²	
504	Plug CM22 w 2m cable 0.75mm	9622 528 ⁷	9622 528 ⁷	
506	Fixed High Limit Assly, 230°F/110°C	7424 553 ³⁵	7424 553 ³⁵	
508	Safety Flush Valve, Thermal 50-120°C	7387 406 ^{Other}	7387 406 ^{Other}	
510	Safety Flush Valve, Thermal 100°C	7387 405 ^{Other}	7387 405 ^{Other}	
512	Safety Flush Valve, Thermal 100°C	9622 456 ⁴¹	9622 456 ⁴¹	
514	Solenoid Valve (angle), 1 1/2" 24VDC ASCO	9619 524 ⁴⁰	9619 524 ⁴⁰	
516	Ball Valve, BBL 12-L	9623 219 ¹⁹	9623 219 ¹⁹	
518	Straight Pipe Connector	9623 242 ¹⁰	9623 242 ¹⁰	
550	Safety limit switch SKI-A2Z M3	9622 527 ²³	9622 527 ²³	
552	Key Switch Tousek	9622 516 ⁴³	9622 516 ⁴³	
554	Bracket (Spring-loaded) SK-BET.MF	9622 180 ¹⁵	9622 180 ¹⁵	
556	Proximity switch KIB-M30PS/010-KL2V		9622 068 ²³	
560	Slide Gate Motor AF24S, 24V	9606 820 ⁴¹	9606 820 ⁴¹	
562	Ball-and-socket joint KG 10A for slide	9623 291 ¹¹	9623 291 ¹¹	
564	Damper motor AFR 230-S	9619 525 ⁴¹	9619 525 ⁴¹	
566	Air Vent (small) with motor	7387 049 ³²		
568	Air Vent (large) with motor	7387 050 ³³		

PYROT and PYROTEC Biomass Boilers

PYROT and PYROTEC Biomass Boilers	Pyrot KRT	Pyrotec KPT	
--	----------------------	------------------------	--

General Info	Price List Section:	10 & 11	
	Parts Catalog Section	30	
	Series Name:		(01/2009 - present)
	Applies to serials nos. beginning with:		
	Accurate as of:	07/01/2012	

Parts List

Please refer to: **Parts List**
 Pos. Description

Part Numbers / Price Categories

Pos.	Description	Part Numbers	Price Categories	
570	Flue Damper Motor SM24A, 24V	7388 473	³⁵	
572	Step Motor, STP-42D213-04	9622 513	²³	
600	Ignition blower 1,4 kW, 230 V KRT-ZG	7379 790	⁶⁰	
602	Ignitor (Firebox) 230V/1400W	9619 526	⁴⁶	
606	Auger Drive, 0,75kW 14U 208/3/60	9619 533	⁹⁵	
608	Auger Drive, 0,37kW 8U 208/3/60	9619 532	⁸³	
610	Vibration Motor BM 65/3 208/3/60	9640 016	⁶¹	
612	Motor, ID fan Pyrot 300 (1)	9622 552	⁷²	
614	Motor, ID fan Pyrot 150 (1)	9622 547	⁷²	
616	Motor, ID fan Pyrot 150/220 (6)	9619 516	⁷⁴	
618	Motor, ID fan Pyrot 400/540 (3)	9622 548	⁷⁹	
620	Motor, ID fan Pyrot 300 (5)	9619 517	⁷⁷	
622	Motor, ID fan Pyrot 400/540 (7)	9619 518	⁸³	
624	Motor Drive, GST06-2MVCR/25/0,75/50Hz	9623 188	⁷⁰	
626	Motor Drive, GST06-3MVCR/8/0,25/50Hz	9634 472	⁷⁵	
628	Motor Drive, VF30/49 208/ /60	9619 519	⁸¹	
630	Motor Drive, VF30/63 208/3/60	9619 520	⁸⁸	
632	Motor Drive, 3/8-35/0,22-0,90/T polum k	9623 194	⁹⁵	
634	Motor Drive, GST06-3MVCR/8/0,25/60Hz	9634 516	⁷³	
636	Motor Drive, 3/16/0,37/T 208/3/60	9634 086	⁷⁶	
638	Motor Drive, GST06-3MVCR/8/0,25/50Hz	9634 472	⁷⁵	
640	Motor Drive, GST06-3MVCR/11/0,37/60Hz	9634 515	⁷⁴	
642	Rotational Blower KRT 100/150 208/3/60	7416 118	⁷⁶	
644	Rotational Blower KRT 220/300 208/3/60	7416 117	⁷¹	
646	Rotational Blower KRT 220/300 208/3/60	7416 116	⁷⁴	
648	Rotation fan RTG R; KRT 220/300	7387 144	⁹⁸	
650	Motor, ID fan Pyrotec 720 (1)	7378 399	¹⁰⁰	
652	Motor, ID fan Pyrotec 720 (6)	9619 514	⁹⁹	
654	Motor, ID fan Pyrotec 950 (4)	9619 515	¹⁰¹	
656	Motor Drive, GST06-2MVCR/49/1,50/50Hz	9622 315	⁷⁰	
658	Motor Drive, GST06-2MVCR/49/1,50/60Hz	9619 529	⁷³	
660	Motor Drive, GST06-3MVCR/11/0,37/60Hz	9634 515	⁷⁴	
662	Motor Drive, GST06-2MVCR/17/0,55/60Hz	9619 531	⁸¹	
664	Motor Drive, GST07-2MVCR/43/2,20/60Hz	9636 446	⁹³	
666	Motor Drive, VF44/86 120W belüftet	9622 035	¹⁰²	
668	Motor Drive, VF44/86 208/3/60	9619 521	¹⁰⁵	
670	Motor Drive, GST07-3MVCR/14/1,10/60Hz	9637 226	⁹⁰	
672	Motor Drive, G3/36/1,10/T	9634 032	⁷¹	
674	Auger Drive, 0,75kW 14U 208/3/60	9619 533	⁹⁵	
676	Fan DG 30	9622 026	⁷⁶	
678	Fan DG 20	9622 025	⁶⁵	
680	Fan DG 38Q	9623 179	⁹¹	
682	Fan DG 30 208/3/60	9636 444	⁷⁹	
684	Fan DN 16	9636 443	⁸⁴	

PYROT and PYROTEC Biomass Boilers

PYROT and PYROTEC Biomass Boilers	Pyrot KRT	Pyrotec KPT	
--	----------------------	------------------------	--

General Info	Price List Section:	10 & 11	
	Parts Catalog Section	30	
	Series Name:		(01/2009 - present)
	Applies to serials nos. beginning with:		
	Accurate as of:	07/01/2012	

Parts List

Please refer to: Parts List
Pos. Description

Part Numbers / Price Categories

686	Fan DG 38 208/3/60		9619 511 ⁹³		
688	Blower (Dietz) DG20 208/3/60		9619 510 ⁷²		
690	Blower (Dietz) DG90P 208/3/60		9636 447 ¹¹⁴		
692	Blower (Klein) DMVL 410 208/3/60		9619 512 ¹²⁸		
694	Fan DMVL 375 900m ³ 208/3/60		9619 513 ¹⁰⁹		
696	Fan DMVL 410-1-30; 1400 m ³ ; Fa. Klein		9622 508 ¹¹²		
698	Actuator TS-10 208/3/60		7427 964 ¹¹⁸		
700	Connecting Rod KPT		7378 073 ⁴²		
750	Ash Container 800L, Reserve	7387 783 ^{Other}	7387 783 ^{Other}		
752	Ash Container 240L, Reserve	7387 993 ^{Other}	7387 993 ^{Other}		
800	Touch-UP Spray Paint "Gray" RAL7016	9624 161 ¹⁵	9624 161 ¹⁵		
802	Touch-UP Spray Paint "Vitosilver"	7819 545 ⁹	7819 545 ⁹		
804	Touch-UP Spray Paint "flat Black"	9623 467 ¹⁵	9623 467 ¹⁵		
806	Touch-UP Spray Paint "Red" RAL3020	9623 465 ¹⁵			
810	Low Water Cutoff Model 550 w Man. Reset	9544 357 ³³	9544 357 ³³		
Misc parts					
900	Connector M16 x 1,5	9622 333 ³	9622 333 ³		
902	Connector HSK-K M20x1.5	9623 255 ⁴	9623 255 ⁴		
904	Sensor Well, ½" x 280mm Ø = 17	7428 853 ⁴⁰	7428 853 ⁴⁰		
906	Sensor Well, ½" x 100mm	9583 108 ⁹	9583 108 ⁹		
908	Sensor Well, ½" x 280mm Ø = 7	7391 363 ¹²			
910	Clip for cable mount, QAZ 21.5220	9623 252 ⁷	9623 252 ⁷		
912	Sight Glass Lens, D = 30 x 3RT	9622 041 ²	9622 041 ²		
914	Hex Bushing, ¾" M NPT x G ½" F Brass Bio	9624 247 ⁸	9624 247 ⁸		
916	Roller Bearing	7378 033 ⁸⁰	7378 033 ⁸⁰		
918	Displacement rod 1400	7387 103 ^{Other}	7387 103 ^{Other}		
920	Bolt H 8109/4		5713 037 ²²		

Notes:

- "n.a." indicates not applicable.
- "W" indicates wearing part (service).
- "L" indicates literature (no charge).
- "Kit" or "Other" indicates that this is not a Price Category item; contact Inside Sales for pricing.

Parts List



Installation Fittings

for **PYROT** KRT Series

7429 913 ... 7429 917 30 psig fittings

7429 923 ... 7429 927 60 psig fittings

Ordering Replacement Parts:

Please provide Model and Serial Number from rating plate when ordering replacement parts. Order replacement components from your Viessmann distributor.

Parts

400 Supply header, with fittings *1

401 Pressure relief valve

402 Nipple

403 Nipple *2

404 Hex bushing

405 Reduction coupling *2

406 90° Elbow

407 Reduction coupling *2

408 Thermometer

409 Pressure gage

410 Low water cutoff

411 Plug, 3/4"

412 Plug, 1/2"

500 Nipple

501 Reduction tee

502 Plug

503 Nipple

504 Full port ball valve

506 Cap

Other Parts (not illustrated)

600 Adaptor

601 Coupling

602 Hex bushing

603 Extension

604 Sensor well, 1/2" x 280mm $\varnothing = 17$

605 Heat conductive paste, 4g

700 Air vent w shut-off base

701 Hex bushing

800 Technical Literature Set

801 Parts List, installation fittings

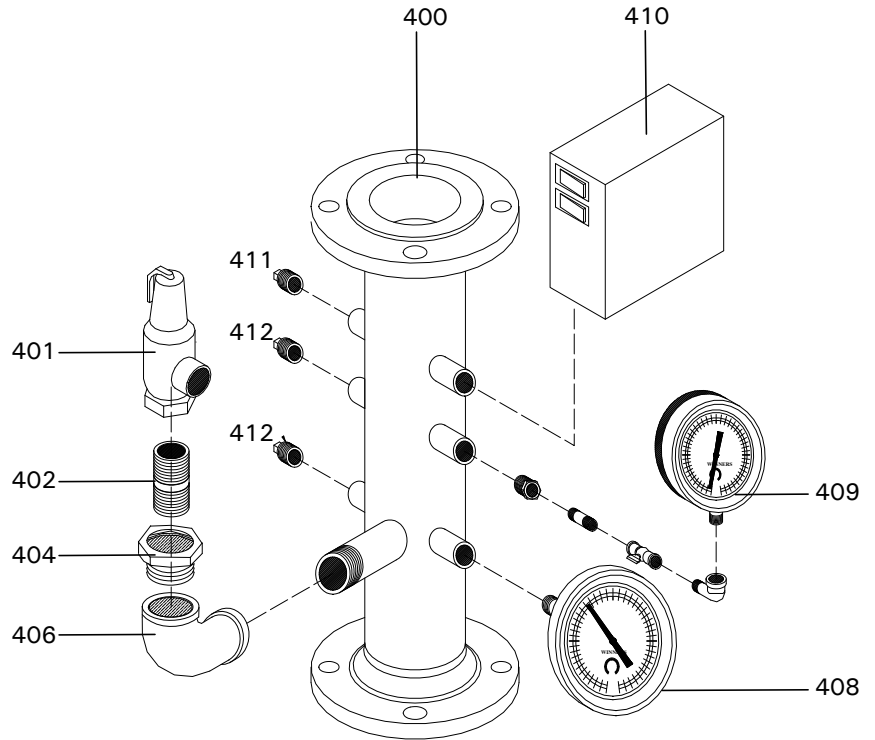
802 Installation Instruction, labels

803 Label sheet, wires and sensors

*1 Counter flanges and bolt hardware not shown.

*2 May not be exactly as illustrated. Some items may not be shown due to numerous variations.

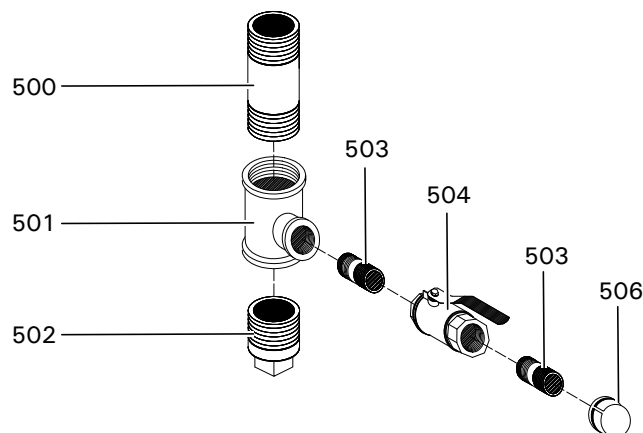
Pyrot 150 - 300 supply header componentry



IMPORTANT

Vertical supply header installation is shown; for a horizontal installation, please see installation instructions; field supplied componentry required for horizontal installations.

Pyrot drain valve componentry



Please file in Service Binder

5443 136 6/2010

Installation Fittings

for **PYROT** KRT Series

7429 913 ... 7429 917 30 psig fittings

7429 923 ... 7429 927 60 psig fittings

Parts

400 Supply header, with fittings *1

401 Pressure relief valve

402 Nipple

403 Nipple *2

404 Hex bushing *2

405 Reduction coupling

406 90° Elbow

407 Reduction coupling *2

408 Thermometer

409 Pressure gage

410 Low water cutoff

411 Plug, 3/4"

412 Plug, 1/2"

500 Nipple

501 Reduction tee

502 Plug

503 Nipple

504 Full port ball valve

506 Cap

Other Parts (not illustrated)

600 Adaptor

601 Coupling

602 Hex bushing

603 Extension

604 Sensor well, 1/2" x 280mm ø = 17

605 Heat conductive paste, 4g

700 Air vent w shut-off base

701 Hex bushing

800 Technical Literature Set

801 Parts List, installation fittings

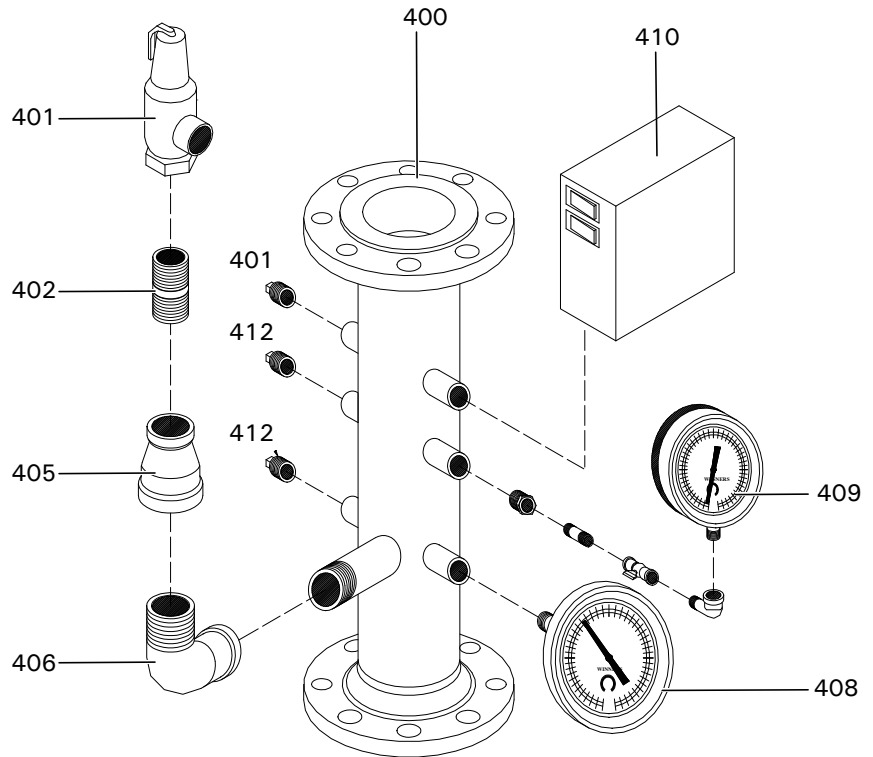
802 Installation Instruction, labels

803 Label sheet, wires and sensors

*1 Counter flanges and bolt hardware not shown.

*2 May not be exactly as illustrated. Some items may not be shown due to numerous variations.

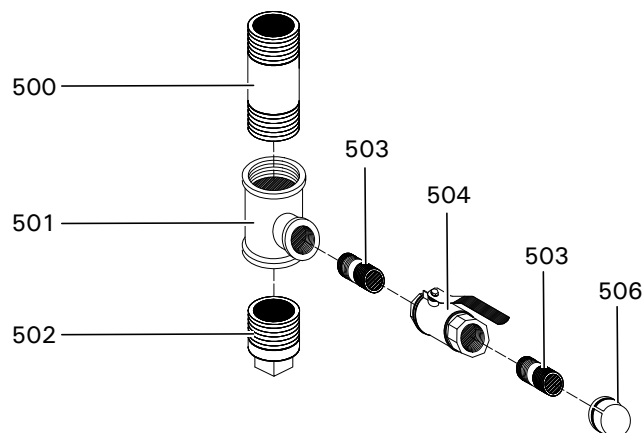
Pyrot 400 - 540 supply header componentry



IMPORTANT

Vertical supply header installation is shown; for a horizontal installation, please see installation instructions; field supplied componentry required for horizontal installations.

Pyrot drain valve componentry



PYROT Fittings

Pyrot Fittings	7429 913 KRT 150 30 psig	7429 914 KRT 220 30 psig	7429 915 KRT 300 30 psig	7429 916 KRT 400 30 psig
General Info	Price List Section: 10			
	Parts Catalog Section 30			
	Series Name: (01/2009 - present)			
	Applies to serials nos. beginning with:			
	Accurate as of: 07/01/2012			

Parts List

Please refer to: Parts List
Pos. Description

Part Numbers / Price Categories

Pos.	Description	7429 913	7429 914	7429 915	7429 916
100	Installation Fittings KRT 150 30 psig	7429 913 ^{Other}	7429 914 ^{Other}	7429 915 ^{Other}	7429 916 ^{Other}
400	Supply Header, 3" (w fittings) k	7439 246 ⁸⁰	7439 246 ⁸⁰	7439 246 ⁸⁰	7439 247 ⁸³
401	Pr.Rel Valve, 1 x 1 1/4" 30PSI Conbraco	9544 343 ^{Other}	9544 344 ^{Other}	9544 344 ^{Other}	9544 345 ^{Other}
402	Nipple, 1 x 2" BLK	9543 297 ³	9543 300 ³	9543 300 ³	n.a. ^{n.a.}
403	Nipple, 1 1/4" x 2 1/2" BMI	9543 300 ³	n.a. ^{n.a.}	n.a. ^{n.a.}	n.a. ^{n.a.}
404	Hex Bushing, 1 1/4" x 3/4" NPT	n.a. ^{n.a.}	n.a. ^{n.a.}	n.a. ^{n.a.}	n.a. ^{n.a.}
405	Red.Coupling, 1 1/4" x 1" BMI	9543 290 ⁵	n.a. ^{n.a.}	n.a. ^{n.a.}	n.a. ^{n.a.}
406	90° Elbow, 1 1/4" NPT BMI	9543 278 ⁵	9543 278 ⁵	9543 278 ⁵	9638 006 ⁵
407	Red. Coupling, 2 x 1 1/2" BMI	n.a. ^{n.a.}	n.a. ^{n.a.}	n.a. ^{n.a.}	n.a. ^{n.a.}
408	Thermometer Bimetal C/F, 5" 0-250°F	9544 333 ²⁵	9544 333 ²⁵	9544 333 ²⁵	9544 333 ²⁵
409	Press. Gage, 0-60PSI 3.5" Series 100	9544 358 ²⁰	9544 358 ²⁰	9544 358 ²⁰	9544 358 ²⁰
410	Low Water Cutoff Model 550 w Man. Res	9544 357 ³³	9544 357 ³³	9544 357 ³³	9544 357 ³³
411	Plug, 3/4" NPT BMI Mp109-E	9544 347 ²	9544 347 ²	9544 347 ²	9544 347 ²
412	Plug, 1/2" BLK	9560 718 ²	9560 718 ²	9560 718 ²	9560 718 ²
500	Nipple, 3 x 5" BLK	9638 013 ⁸	9638 013 ⁸	9638 013 ⁸	9638 013 ⁸
501	Red. Tee, 3" x 3" x 1 1/2"	9638 014 ¹²	9638 014 ¹²	9638 014 ¹²	9638 014 ¹²
502	Plug, 3" NPT BMI	9638 016 ⁶	9638 016 ⁶	9638 016 ⁶	9638 016 ⁶
503	Nipple, 1 1/2 x 2"	9638 012 ³	9638 012 ³	9638 012 ³	9638 012 ³
504	Full Port Ball Valve, 1 1/2" FBV (T)	9544 349 ¹³	9544 349 ¹³	9544 349 ¹³	9544 349 ¹³
506	Cap, 1 1/2" BMI	9638 015 ³	9638 015 ³	9638 015 ³	9638 015 ³
600	Adaptor, 3/4" Male NPT-Fem.R BSPT Brass r	9577 736 ⁷	9577 736 ⁷	9577 736 ⁷	9577 736 ⁷
601	Coupling, 3/4" BMI MP103-E(US) GS1	9544 365 ⁴	9544 365 ⁴	9544 365 ⁴	9544 365 ⁴
602	Hex Bushing, 3/4"M NPT x G 1/2"F Brass Biom	9624 247 ⁸	9624 247 ⁸	9624 247 ⁸	9624 247 ⁸
603	Extension, 3/4" x 2 1/4" Brass	9549 931 ⁶	9549 931 ⁶	9549 931 ⁶	9549 931 ⁶
604	Sensor Well, 1/2" x 280mm Ø = 17 k	7428 853 ⁴⁰	7428 853 ⁴⁰	7428 853 ⁴⁰	7428 853 ⁴⁰
605	Heat Conductive Paste, 4g	9638 021 ³	9638 021 ³	9638 021 ³	9638 021 ³
700	Air Vent w Shut-off Base 3/8"	9542 941 ⁸	9542 941 ⁸	9542 941 ⁸	9542 941 ⁸
701	Hex Bushing, 1/2" x 3/8" BMI	9543 284 ³	9543 284 ³	9543 284 ³	9543 284 ³
800	Tech Lit Set Pyrot KRT	7429 933 ^L	7429 933 ^L	7429 933 ^L	7429 933 ^L
801	Parts List Inst.Fittings Pyrot KRT	5443 136 ^L	5443 136 ^L	5443 136 ^L	5443 136 ^L
802	Install. Instr. Labels KRT	5443 111 ^L	5443 111 ^L	5443 111 ^L	5443 111 ^L
803	Label Sheet (wires, sensors) KRT	5443 110 ^L	5443 110 ^L	5443 110 ^L	5443 110 ^L

Notes:

- "n.a." indicates not applicable.
- "W" indicates wearing part (service).
- "L" indicates literature (no charge).
- "Kit" or "Other" indicates that this is not a Price Category item; contact Inside Sales for pricing.

PYROT Fittings

Pyrot Fittings	7429 917	
	KRT 540	
	30 psig	

General Info	Price List Section:	10
	Parts Catalog Section	30
	Series Name:	(01/2009 - present)
	Applies to serials nos. beginning with:	
	Accurate as of:	07/01/2012

Parts List

Please refer to: Parts List
Pos. Description

Part Numbers / Price Categories

100	Installation Fittings KRT 150 30 psig	7429 917 ^{Other}		
400	Supply Header, 3" (w fittings) k	7439 247 ⁸³		
401	Pr.Rel Valve, 1 x 1 1/4" 30PSI Conbraco	9544 346 ^{Other}		
402	Nipple, 1 x 2" BLK	9638 011 ⁴		
403	Nipple, 1 1/4" x 2 1/2" BMI	n.a. ^{n.a.}		
404	Hex Bushing, 1 1/4" x 3/4" NPT	n.a. ^{n.a.}		
405	Red.Coupling, 1 1/4" x 1" BMI	n.a. ^{n.a.}		
406	90° Elbow, 1 1/4" NPT BMI	9638 007 ⁶		
407	Red. Coupling, 2 x 1 1/2" BMI	9638 010 ⁵		
408	Thermometer Bimetal C/F, 5" 0-250°F	9544 333 ²⁵		
409	Press. Gage, 0-60PSI 3.5" Series 100	9544 358 ²⁰		
410	Low Water Cutoff Model 550 w Man. Res	9544 357 ³³		
411	Plug, 3/4" NPT BMI Mp109-E	9544 347 ²		
412	Plug, 1/2" BLK	9560 718 ²		
500	Nipple, 3 x 5" BLK	9638 013 ⁸		
501	Red. Tee, 3" x 3" x 1 1/2"	9638 014 ¹²		
502	Plug, 3" NPT BMI	9638 016 ⁶		
503	Nipple, 1 1/2 x 2"	9638 012 ³		
504	Full Port Ball Valve, 1 1/2" FBV (T)	9544 349 ¹³		
506	Cap, 1 1/2" BMI	9638 015 ³		
600	Adaptor, 3/4" Male NPT-Fem.R BSPT Brass r	9577 736 ⁷		
601	Coupling, 3/4" BMI MP103-E(US) GS1	9544 365 ⁴		
602	Hex Bushing, 3/4"M NPT x G 1/2"F Brass Biom	9624 247 ⁸		
603	Extension, 3/4" x 2 1/4" Brass	9549 931 ⁶		
604	Sensor Well, 1/2" x 280mm Ø = 17 k	7428 853 ⁴⁰		
605	Heat Conductive Paste, 4g	9638 021 ³		
700	Air Vent w Shut-off Base 3/8"	9542 941 ⁸		
701	Hex Bushing, 1/2" x 3/8" BMI	9543 284 ³		
800	Tech Lit Set Pyrot KRT	7429 933 ^L		
801	Parts List Inst.Fittings Pyrot KRT	5443 136 ^L		
802	Install. Instr. Labels KRT	5443 111 ^L		
803	Label Sheet (wires, sensors) KRT	5443 110 ^L		

Notes:

- "n.a." indicates not applicable.
- "W" indicates wearing part (service).
- "L" indicates literature (no charge).
- "Kit" or "Other" indicates that this is not a Price Category item; c

PYROT Fittings

Pyrot Fittings	7429 923 KRT 150 60 psig	7429 924 KRT 220 60 psig	7429 925 KRT 300 60 psig	7429 926 KRT 400 60 psig
General Info	Price List Section: 10			
	Parts Catalog Section 30			
	Series Name: (01/2009 - present)			
	Applies to serials nos. beginning with:			
	Accurate as of: 07/01/2012			

Parts List

Please refer to: Parts List
Pos. Description

Part Numbers / Price Categories

Pos.	Description	7429 923	7429 924	7429 925	7429 926
100	Installation Fittings KRT 150 30 psig	7429 923 ^{Other}	7429 924 ^{Other}	7429 925 ^{Other}	7429 926 ^{Other}
400	Supply Header, 3" (w fittings) k	7439 246 ⁸⁰	7439 246 ⁸⁰	7439 246 ⁸⁰	7439 247 ⁸³
401	Pr.Rel Valve, 1 x 1 1/4" 30PSI Conbraco	9549 269 ¹⁹	9549 269 ¹⁹	9543 419 ²¹	9638 019 ²⁸
402	Nipple, 1 x 2" BLK	9543 294 ⁴	9543 294 ⁴	9543 297 ³	9543 300 ³
403	Nipple, 1 1/4" x 2 1/2" BMI	n.a. ^{n.a.}	n.a. ^{n.a.}	9543 300 ³	n.a. ^{n.a.}
404	Hex Bushing, 1 1/4" x 3/4" NPT	9543 282 ⁴	9543 282 ⁴	n.a. ^{n.a.}	n.a. ^{n.a.}
405	Red.Coupling, 1 1/4" x 1" BMI	n.a. ^{n.a.}	n.a. ^{n.a.}	9543 290 ⁵	9638 009 ⁵
406	90° Elbow, 1 1/4" NPT BMI	9543 278 ⁵	9543 278 ⁵	9543 278 ⁵	9638 006 ⁵
407	Red. Coupling, 2 x 1 1/2" BMI	n.a. ^{n.a.}	n.a. ^{n.a.}	n.a. ^{n.a.}	n.a. ^{n.a.}
408	Thermometer Bimetal C/F, 5" 0-250°F	9544 333 ²⁵	9544 333 ²⁵	9544 333 ²⁵	9544 333 ²⁵
409	Press. Gage, 0-60PSI 3.5" Series 100	9544 351 ¹⁹	9544 351 ¹⁹	9544 351 ¹⁹	9544 351 ¹⁹
410	Low Water Cutoff Model 550 w Man. Res	9544 357 ³³	9544 357 ³³	9544 357 ³³	9544 357 ³³
411	Plug, 3/4" NPT BMI Mp109-E	9544 347 ²	9544 347 ²	9544 347 ²	9544 347 ²
412	Plug, 1/2" BLK	9560 718 ²	9560 718 ²	9560 718 ²	9560 718 ²
500	Nipple, 3 x 5" BLK	9638 013 ⁸	9638 013 ⁸	9638 013 ⁸	9638 013 ⁸
501	Red. Tee, 3" x 3" x 1 1/2"	9638 014 ¹²	9638 014 ¹²	9638 014 ¹²	9638 014 ¹²
502	Plug, 3" NPT BMI	9638 016 ⁶	9638 016 ⁶	9638 016 ⁶	9638 016 ⁶
503	Nipple, 1 1/2 x 2"	9638 012 ³	9638 012 ³	9638 012 ³	9638 012 ³
504	Full Port Ball Valve, 1 1/2" FBV (T)	9544 349 ¹³	9544 349 ¹³	9544 349 ¹³	9544 349 ¹³
506	Cap, 1 1/2" BMI	9638 015 ³	9638 015 ³	9638 015 ³	9638 015 ³
600	Adaptor, 3/4" Male NPT-Fem.R BSPT Brass r	9577 736 ⁷	9577 736 ⁷	9577 736 ⁷	9577 736 ⁷
601	Coupling, 3/4" BMI MP103-E(US) GS1	9544 365 ⁴	9544 365 ⁴	9544 365 ⁴	9544 365 ⁴
602	Hex Bushing, 3/4"M NPT x G 1/2"F Brass Biom	9624 247 ⁸	9624 247 ⁸	9624 247 ⁸	9624 247 ⁸
603	Extension, 3/4" x 2 1/4" Brass	9549 931 ⁶	9549 931 ⁶	9549 931 ⁶	9549 931 ⁶
604	Sensor Well, 1/2" x 280mm Ø = 17 k	7428 853 ⁴⁰	7428 853 ⁴⁰	7428 853 ⁴⁰	7428 853 ⁴⁰
605	Heat Conductive Paste, 4g	9638 021 ³	9638 021 ³	9638 021 ³	9638 021 ³
700	Air Vent w Shut-off Base 3/8"	9542 941 ⁸	9542 941 ⁸	9542 941 ⁸	9542 941 ⁸
701	Hex Bushing, 1/2" x 3/8" BMI	9543 284 ³	9543 284 ³	9543 284 ³	9543 284 ³
800	Tech Lit Set Pyrot KRT	7429 933 ^L	7429 933 ^L	7429 933 ^L	7429 933 ^L
801	Parts List Inst.Fittings Pyrot KRT	5443 136 ^L	5443 136 ^L	5443 136 ^L	5443 136 ^L
802	Install. Instr. Labels KRT	5443 111 ^L	5443 111 ^L	5443 111 ^L	5443 111 ^L
803	Label Sheet (wires, sensors) KRT	5443 110 ^L	5443 110 ^L	5443 110 ^L	5443 110 ^L

Notes:
 "n.a." indicates not applicable.
 "W" indicates wearing part (service).
 "L" indicates literature (no charge).
 "Kit" or "Other" indicates that this is not a Price Category item; c

PYROT Fittings

Pyrot Fittings	7429 927	
	KRT 540	
	60 psig	

General Info	Price List Section:	10
	Parts Catalog Section	30
	Series Name:	(01/2009 - present)
	Applies to serials nos. beginning with:	
	Accurate as of:	07/01/2012

Parts List

Please refer to: Parts List
Pos. Description

Part Numbers / Price Categories

100	Installation Fittings KRT 150 30 psig	7429 927 ^{Other}		
400	Supply Header, 3" (w fittings) k	7439 247 ⁸³		
401	Pr.Rel Valve, 1 x 1 1/4" 30PSI Conbraco	9638 019 ²⁸		
402	Nipple, 1 x 2" BLK	9543 300 ³		
403	Nipple, 1 1/4" x 2 1/2" BMI	n.a. ^{n.a.}		
404	Hex Bushing, 1 1/4" x 3/4" NPT	n.a. ^{n.a.}		
405	Red.Coupling, 1 1/4" x 1" BMI	9638 009 ⁴		
406	90° Elbow, 1 1/4" NPT BMI	9638 006 ⁵		
407	Red. Coupling, 2 x 1 1/2" BMI	n.a. ^{n.a.}		
408	Thermometer Bimetal C/F, 5" 0-250°F	9544 333 ²⁵		
409	Press. Gage, 0-60PSI 3.5" Series 100	9544 351 ¹⁹		
410	Low Water Cutoff Model 550 w Man. Res	9544 357 ³³		
411	Plug, 3/4" NPT BMI Mp109-E	9544 347 ²		
412	Plug, 1/2" BLK	9560 718 ²		
500	Nipple, 3 x 5" BLK	9638 013 ⁸		
501	Red. Tee, 3" x 3" x 1 1/2"	9638 014 ¹²		
502	Plug, 3" NPT BMI	9638 016 ⁶		
503	Nipple, 1 1/2 x 2"	9638 012 ³		
504	Full Port Ball Valve, 1 1/2" FBV (T)	9544 349 ¹³		
506	Cap, 1 1/2" BMI	9638 015 ³		
600	Adaptor, 3/4" Male NPT-Fem.R BSPT Brass r	9577 736 ⁷		
601	Coupling, 3/4" BMI MP103-E(US) GS1	9544 365 ⁴		
602	Hex Bushing, 3/4"M NPT x G 1/2"F Brass Biom	9624 247 ⁸		
603	Extension, 3/4" x 2 1/4" Brass	9549 931 ⁶		
604	Sensor Well, 1/2" x 280mm Ø = 17 k	7428 853 ⁴⁰		
605	Heat Conductive Paste, 4g	9638 021 ³		
700	Air Vent w Shut-off Base 3/8"	9542 941 ⁸		
701	Hex Bushing, 1/2" x 3/8" BMI	9543 284 ³		
800	Tech Lit Set Pyrot KRT	7429 933 ^L		
801	Parts List Inst.Fittings Pyrot KRT	5443 136 ^L		
802	Install. Instr. Labels KRT	5443 111 ^L		
803	Label Sheet (wires, sensors) KRT	5443 110 ^L		

Notes:

- "n.a." indicates not applicable.
- "W" indicates wearing part (service).
- "L" indicates literature (no charge).
- "Kit" or "Other" indicates that this is not a Price Category item; c

Installation Fittings

for **PYROTEC** KPT Series

7429 918 ... 7429 922 30 psig fittings

7429 928 ... 7429 932 60 psig fittings

Ordering Replacement Parts:

Please provide Model and Serial Number from rating plate when ordering replacement parts. Order replacement components from your Viessmann distributor.

Parts

400 Supply header, with fittings *1

401 Pressure relief valve

402 Nipple

405 Reduction coupling

406 90° Elbow

408 Thermometer

409 Pressure gage

410 Low water cutoff

411 Plug, ¼"

412 Plug, ½"

503 Nipple, long

504 Full port ball valve

505 Nipple, short

506 Cap

Other Parts (not illustrated)

600 Adaptor

601 Coupling

602 Hex bushing

603 Extension

604 Sensor well, ½" x 280mm ø = 17

605 Heat conductive paste, 4g

700 Air vent w shut-off base

701 Hex bushing

800 Technical Literature Set

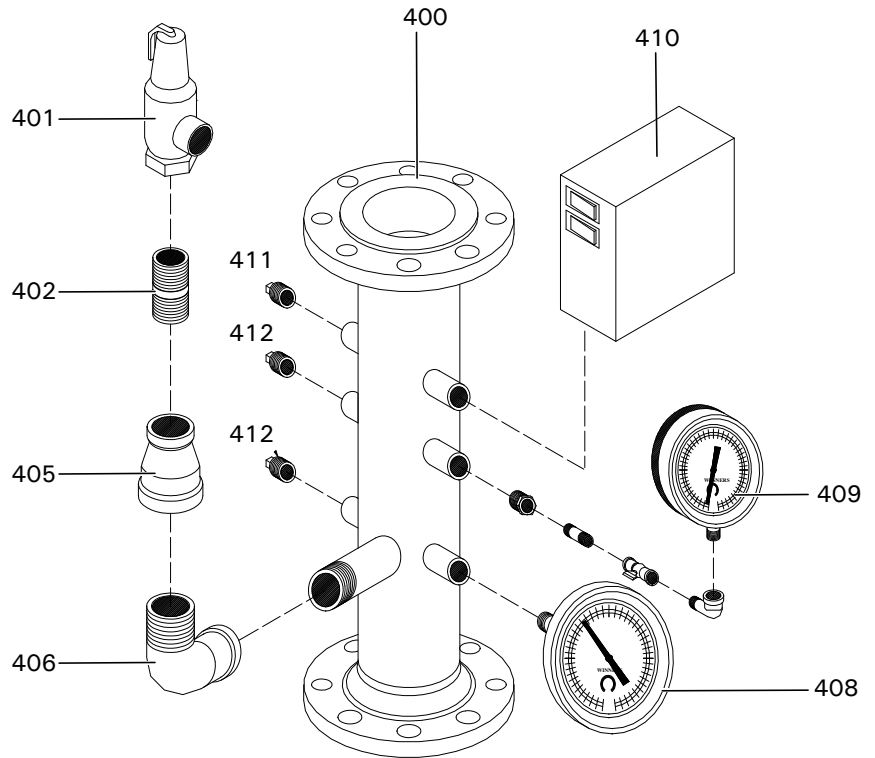
801 Parts List, installation fittings

802 Installation Instruction, labels

803 Label sheet, wires and sensors

*1 Counter flanges and bolt hardware not shown.

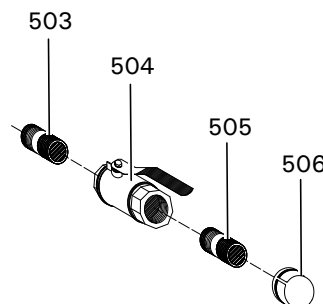
Pyrotec 390 - 720 supply header componentry



IMPORTANT

Vertical supply header installation is shown; for a horizontal installation, please see installation instructions; field supplied componentry required for horizontal installations.

Pyrotec 390 - 720 drain valve componentry



Installation Fittings

for **PYROTEC** KPT Series

7429 918 ... 7429 922 30 psig fittings

7429 928 ... 7429 932 60 psig fittings

Parts

400 Supply header, with fittings *1

401 Pressure relief valve

402 Nipple

405 Reduction coupling

406 90° Elbow

408 Thermometer

409 Pressure gage

410 Low water cutoff

411 Plug, 3/4"

412 Plug, 1/2"

503 Nipple, long

504 Full port ball valve

505 Nipple, short

506 Cap

Other Parts (not illustrated)

600 Adaptor

601 Coupling

602 Hex bushing

603 Extension

604 Sensor well, 1/2" x 280mm $\phi = 17$

605 Heat conductive paste, 4g

700 Air vent w shut-off base

701 Hex bushing

800 Technical Literature Set

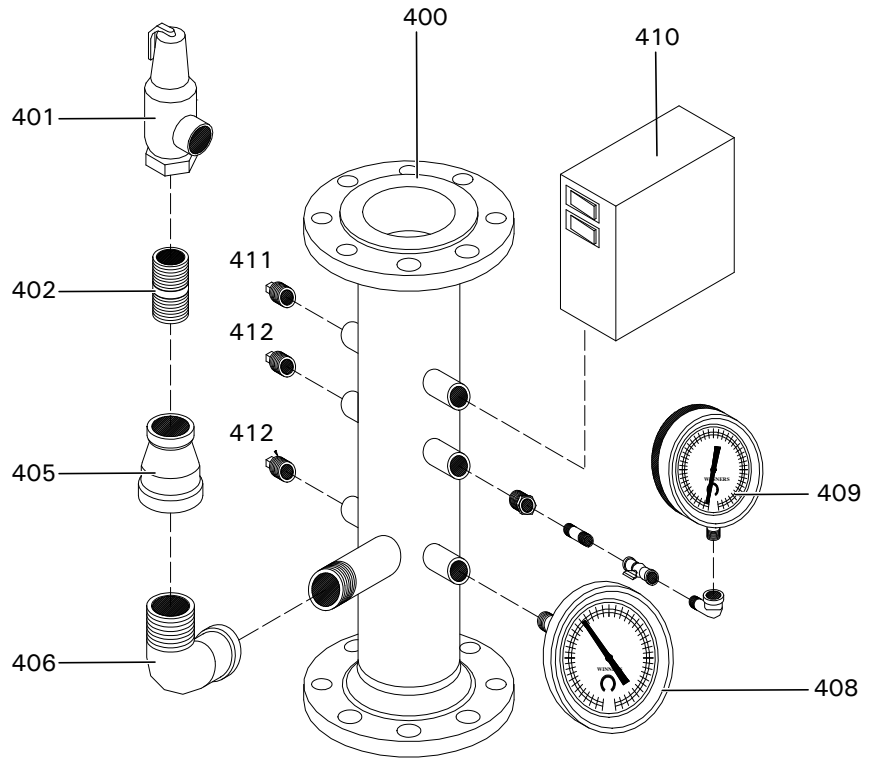
801 Parts List, installation fittings

802 Installation Instruction, labels

803 Label sheet, wires and sensors

*1 Counter flanges and bolt hardware not shown.

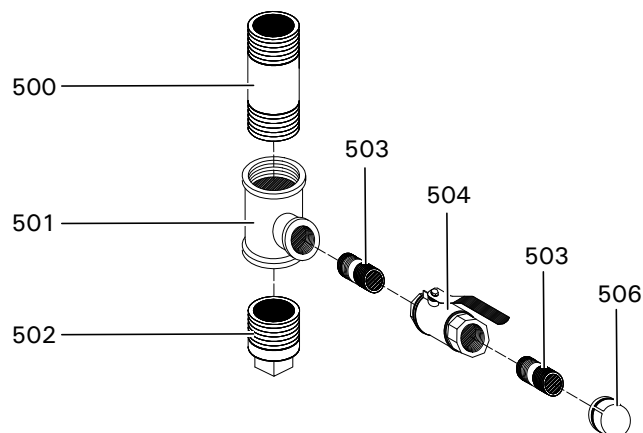
Pyrot 950 - 1250 supply header componentry



IMPORTANT

Vertical supply header installation is shown; for a horizontal installation, please see installation instructions; field supplied componentry required for horizontal installations.

Pyrotec 950 - 1250 drain valve componentry



PYROEC Fittings

Pyrotec Fittings	7429 918 KPT 390 30 psig	7429 919 KPT 530 30 psig	7429 920 KPT 720 30 psig	7429 921 KPT 950 30 psig
-------------------------	---------------------------------------	---------------------------------------	---------------------------------------	---------------------------------------

General Info	Price List Section: 11 Parts Catalog Section: 30 Series Name: (01/2009 - present) Applies to serials nos. beginning with: Accurate as of: 07/01/2012
---------------------	--

Parts List

Please refer to: Parts List
Pos. Description

Part Numbers / Price Categories

Pos.	Description	7429 918	7429 919	7429 920	7429 921
100	Installation Fittings KPT 390 30 psig	7429 918 ^{Other}	7429 919 ^{Other}	7429 920 ^{Other}	7429 921 ^{Other}
400	Supply Header, 4" (w fittings) k	7439 247 ⁸³	7439 247 ⁸³	7439 247 ⁸³	7439 248 ⁸⁷
401	Pr.Rel Valve, 1 ¼ x 1 ½" 30PSI Conbraco	9544 344 ^{Other}	9544 344 ^{Other}	9544 345 ^{Other}	9544 346 ^{Other}
402	Nipple, 1 ¼" x 2 ½" BMI	9543 300 ³	9543 300 ³	n.a. ^{n.a.}	n.a. ^{n.a.}
405	Red. Coupling, 1 ½ x 1 ¼" BMI	9638 009 ⁴	9638 009 ⁴	n.a. ^{n.a.}	n.a. ^{n.a.}
406	90° Street Elbow, 1 ½"	9638 006 ⁵	9638 006 ⁵	9638 006 ⁵	9638 007 ⁶
408	Thermometer Bimetal C/F, 5" 0-250°F	9544 333 ²⁵	9544 333 ²⁵	9544 333 ²⁵	9544 333 ²⁵
409	Press. Gage, 0-60PSI 3.5" Series 100	9544 358 ²⁰	9544 358 ²⁰	9544 358 ²⁰	9544 358 ²⁰
410	Low Water Cutoff Model 550 w Man. Res	9544 357 ³³	9544 357 ³³	9544 357 ³³	9544 357 ³³
411	Plug, ¾" NPT BMI Mp109-E	9544 347 ²	9544 347 ²	9544 347 ²	9544 347 ²
412	Plug, ½" BLK	9560 718 ²	9560 718 ²	9560 718 ²	9560 718 ²
500	Nipple, 3 x 5" BLK	n.a. ^{n.a.}	n.a. ^{n.a.}	n.a. ^{n.a.}	9638 013 ⁸
501	Red. Tee, 3" x 3" x 1 ½"	n.a. ^{n.a.}	n.a. ^{n.a.}	n.a. ^{n.a.}	9638 014 ¹²
502	Plug, 3" NPT BMI	n.a. ^{n.a.}	n.a. ^{n.a.}	n.a. ^{n.a.}	9638 016 ⁶
503	Nipple, 1 ½" x 5"	9516 540 ⁴	9516 540 ⁴	9516 540 ⁴	9638 012 ³
504	Full Port Ball Valve, 1 ½" FBV (T)	9544 349 ¹³	9544 349 ¹³	9544 349 ¹³	9544 349 ¹³
505	Nipple, 1 ½ x 2"	9638 012 ³	9638 012 ³	9638 012 ³	n.a. ^{n.a.}
506	Cap, 1 ½" BMI	9638 015 ³	9638 015 ³	9638 015 ³	9638 015 ³
600	Adaptor, ¾" Male NPT-Fem.R BSPT Brass r	9577 736 ⁷	9577 736 ⁷	9577 736 ⁷	9577 736 ⁷
601	Coupling, ¾" BMI MP103-E(US) GS1	9544 365 ⁴	9544 365 ⁴	9544 365 ⁴	9544 365 ⁴
602	Hex Bushing, ¾"M NPT x G ½"F Brass Biom	9624 247 ⁸	9624 247 ⁸	9624 247 ⁸	9624 247 ⁸
603	Extension, ¾" x 2 ¼" Brass	9549 931 ⁶	9549 931 ⁶	9549 931 ⁶	9549 931 ⁶
604	Sensor Well, ½" x 280mm Ø = 17 k	7428 853 ⁴⁰	7428 853 ⁴⁰	7428 853 ⁴⁰	7428 853 ⁴⁰
605	Heat Conductive Paste, 4g	9638 021 ³	9638 021 ³	9638 021 ³	9638 021 ³
700	Air Vent w Shut-off Base 3/8"	9542 941 ⁸	9542 941 ⁸	9542 941 ⁸	9542 941 ⁸
701	Hex Bushing, ½" x 3/8" BMI	9543 284 ³	9543 284 ³	9543 284 ³	9543 284 ³
800	Tech Lit Set Pyrotec KPT	7429 934 ^L	7429 934 ^L	7429 934 ^L	7429 934 ^L
801	Parts List Inst.Fittings Pyrotec KPT	5443 137 ^L	5443 137 ^L	5443 137 ^L	5443 137 ^L
803	Install. Instr. Labels KPT	5443 112 ^L	5443 112 ^L	5443 112 ^L	5443 112 ^L

Notes:

- "n.a." indicates not applicable.
- "W" indicates wearing part (service).
- "L" indicates literature (no charge).
- "Kit" or "Other" indicates that this is not a Price Category item; contact Inside Sales for pricing.

Pyrotec Fittings	7429 922 KPT 1250 30 psig	
-------------------------	--	--

General Info	Price List Section: 11	
	Parts Catalog Section 30	
	Series Name:	(01/2009 - present)
	Applies to serials nos. beginning with:	
	Accurate as of:	07/01/2012

Parts List

Please refer to: Parts List
Pos. Description

Part Numbers / Price Categories

100	Installation Fittings KPT 390 30 psig	7429 922 ^{Other}		
400	Supply Header, 4" (w fittings) k	7439 248 ⁸⁷		
401	Pr.Rel Valve, 1 ¼ x 1 ½" 30PSI Conbraco	9544 346 ^{Other}		
402	Nipple, 1 ¼" x 2 ½" BMI	n.a. ^{n.a.}		
405	Red. Coupling, 1 ½ x 1 ¼" BMI	n.a. ^{n.a.}		
406	90° Street Elbow, 1 ½"	9638 007 ⁶		
408	Thermometer Bimetal C/F, 5" 0-250°F	9544 333 ²⁵		
409	Press. Gage, 0-60PSI 3.5" Series 100	9544 358 ²⁰		
410	Low Water Cutoff Model 550 w Man. Res	9544 357 ³³		
411	Plug, ¾" NPT BMI Mp109-E	9544 347 ²		
412	Plug, ½" BLK	9560 718 ²		
500	Nipple, 3 x 5" BLK	9638 013 ⁸		
501	Red. Tee, 3" x 3" x 1 ½"	9638 014 ¹²		
502	Plug, 3" NPT BMI	9638 016 ⁶		
503	Nipple, 1 ½" x 5"	9638 012 ³		
504	Full Port Ball Valve, 1 ½" FBV (T)	9544 349 ¹³		
505	Nipple, 1 ½ x 2"	n.a. ^{n.a.}		
506	Cap, 1 ½" BMI	9638 015 ³		
600	Adaptor, ¾" Male NPT-Fem.R BSPT Brass r	9577 736 ⁷		
601	Coupling, ¾" BMI MP103-E(US) GS1	9544 365 ⁴		
602	Hex Bushing, ¾"M NPT x G ½"F Brass Biom	9624 247 ⁸		
603	Extension, ¾" x 2 ¼" Brass	9549 931 ⁶		
604	Sensor Well, ½" x 280mm Ø = 17 k	7428 853 ⁴⁰		
605	Heat Conductive Paste, 4g	9638 021 ³		
700	Air Vent w Shut-off Base 3/8"	9542 941 ⁸		
701	Hex Bushing, ½" x 3/8" BMI	9543 284 ³		
800	Tech Lit Set Pyrotec KPT	7429 934 ^L		
801	Parts List Inst.Fittings Pyrotec KPT	5443 137 ^L		
803	Install. Instr. Labels KPT	5443 112 ^L		

Notes:

"n.a." indicates not applicable.

"W" indicates wearing part (service).

"L" indicates literature (no charge).

"Kit" or "Other" indicates that this is not a Price Category item; c

PYROTEC Fittings

Pyrotec Fittings	7429 928 KPT 390 60 psig	7429 929 KPT 530 60 psig	7429 930 KPT 720 60 psig	7429 931 KPT 950 60 psig
-------------------------	---------------------------------------	---------------------------------------	---------------------------------------	---------------------------------------

General Info	Price List Section: 11 Parts Catalog Section: 30 Series Name: (01/2009 - present) Applies to serials nos. beginning with: Accurate as of: 07/01/2012
---------------------	--

Parts List

Please refer to: Parts List
Pos. Description

Part Numbers / Price Categories

100	Installation Fittings KPT 390 30 psig	7429 928 ^{Other}	7429 929 ^{Other}	7429 930 ^{Other}	7429 931 ^{Other}
400	Supply Header, 4" (w fittings) k	7439 247 ⁸³	7439 247 ⁸³	7439 247 ⁸³	7439 248 ⁸⁷
401	Pr.Rel Valve, 1 ¼ x 1 ½" 30PSI Conbraco	9543 419 ²¹	9638 019 ²⁸	9638 019 ²⁸	9638 020 ⁴⁰
402	Nipple, 1 ¼" x 2 ½" BMI	9543 297 ³	9543 300 ³	9543 300 ³	n.a. ^{n.a.}
405	Red. Coupling, 1 ½ x 1 ¼" BMI	9544 316 ⁶	9638 009 ⁴	9638 009 ⁴	n.a. ^{n.a.}
406	90° Street Elbow, 1 ½"	9638 006 ⁵	9638 006 ⁵	9638 006 ⁵	9638 007 ⁶
408	Thermometer Bimetal C/F, 5" 0-250°F	9544 333 ²⁵	9544 333 ²⁵	9544 333 ²⁵	9544 333 ²⁵
409	Press. Gage, 0-60PSI 3.5" Series 100	9544 358 ²⁰	9544 358 ²⁰	9544 358 ²⁰	9544 358 ²⁰
410	Low Water Cutoff Model 550 w Man. Res	9544 357 ³³	9544 357 ³³	9544 357 ³³	9544 357 ³³
411	Plug, ¾" NPT BMI Mp109-E	9544 347 ²	9544 347 ²	9544 347 ²	9544 347 ²
412	Plug, ½" BLK	9560 718 ²	9560 718 ²	9560 718 ²	9560 718 ²
500	Nipple, 3 x 5" BLK	n.a. ^{n.a.}	n.a. ^{n.a.}	n.a. ^{n.a.}	9638 013 ⁸
501	Red. Tee, 3" x 3" x 1 ½"	n.a. ^{n.a.}	n.a. ^{n.a.}	n.a. ^{n.a.}	9638 014 ¹²
502	Plug, 3" NPT BMI	n.a. ^{n.a.}	n.a. ^{n.a.}	n.a. ^{n.a.}	9638 016 ⁶
503	Nipple, 1 ½" x 5"	9516 540 ⁴	9516 540 ⁴	9516 540 ⁴	9638 012 ³
504	Full Port Ball Valve, 1 ½" FBV (T)	9544 349 ¹³	9544 349 ¹³	9544 349 ¹³	9544 349 ¹³
505	Nipple, 1 ½ x 2"	9638 012 ³	9638 012 ³	9638 012 ³	n.a. ^{n.a.}
506	Cap, 1 ½" BMI	9638 015 ³	9638 015 ³	9638 015 ³	9638 015 ³
600	Adaptor, ¾" Male NPT-Fem.R BSPT Brass r	9577 736 ⁷	9577 736 ⁷	9577 736 ⁷	9577 736 ⁷
601	Coupling, ¾" BMI MP103-E(US) GS1	9544 365 ⁴	9544 365 ⁴	9544 365 ⁴	9544 365 ⁴
602	Hex Bushing, ¾"M NPT x G ½"F Brass Biom	9624 247 ⁸	9624 247 ⁸	9624 247 ⁸	9624 247 ⁸
603	Extension, ¾" x 2 ¼" Brass	9549 931 ⁶	9549 931 ⁶	9549 931 ⁶	9549 931 ⁶
604	Sensor Well, ½" x 280mm Ø = 17 k	7428 853 ⁴⁰	7428 853 ⁴⁰	7428 853 ⁴⁰	7428 853 ⁴⁰
605	Heat Conductive Paste, 4g	9638 021 ³	9638 021 ³	9638 021 ³	9638 021 ³
700	Air Vent w Shut-off Base 3/8"	9542 941 ⁸	9542 941 ⁸	9542 941 ⁸	9542 941 ⁸
701	Hex Bushing, ½" x 3/8" BMI	9543 284 ³	9543 284 ³	9543 284 ³	9543 284 ³
800	Tech Lit Set Pyrotec KPT	7429 934 ^L	7429 934 ^L	7429 934 ^L	7429 934 ^L
801	Parts List Inst.Fittings Pyrotec KPT	5443 137 ^L	5443 137 ^L	5443 137 ^L	5443 137 ^L
803	Install. Instr. Labels KPT	5443 112 ^L	5443 112 ^L	5443 112 ^L	5443 112 ^L

Notes:
 "n.a." indicates not applicable.
 "W" indicates wearing part (service).
 "L" indicates literature (no charge).
 "Kit" or "Other" indicates that this is not a Price Category item; c

Pyrotec Fittings	7429 932	
	KPT 1250	
	60 psig	

General Info	Price List Section:	11
	Parts Catalog Section	30
	Series Name:	(01/2009 - present)
	Applies to serials nos. beginning with:	
	Accurate as of:	07/01/2012

Parts List

Please refer to: Parts List
Pos. Description

Part Numbers / Price Categories

100	Installation Fittings KPT 390 30 psig	7429 932 ^{Other}		
400	Supply Header, 4" (w fittings) k	7439 248 ⁸⁷		
401	Pr.Rel Valve, 1 ¼ x 1 ½" 30PSI Conbraco	9638 020 ⁴⁰		
402	Nipple, 1 ¼" x 2 ½" BMI	n.a. ^{n.a.}		
405	Red. Coupling, 1 ½ x 1 ¼" BMI	n.a. ^{n.a.}		
406	90° Street Elbow, 1 ½"	9638 007 ⁶		
408	Thermometer Bimetal C/F, 5" 0-250°F	9544 333 ²⁵		
409	Press. Gage, 0-60PSI 3.5" Series 100	9544 358 ²⁰		
410	Low Water Cutoff Model 550 w Man. Res	9544 357 ³³		
411	Plug, ¾" NPT BMI Mp109-E	9544 347 ²		
412	Plug, ½" BLK	9560 718 ²		
500	Nipple, 3 x 5" BLK	9638 013 ⁸		
501	Red. Tee, 3" x 3" x 1 ½"	9638 014 ¹²		
502	Plug, 3" NPT BMI	9638 016 ⁶		
503	Nipple, 1 ½" x 5"	9638 012 ³		
504	Full Port Ball Valve, 1 ½" FBV (T)	9544 349 ¹³		
505	Nipple, 1 ½ x 2"	n.a. ^{n.a.}		
506	Cap, 1 ½" BMI	9638 015 ³		
600	Adaptor, ¾" Male NPT-Fem.R BSPT Brass r	9577 736 ⁷		
601	Coupling, ¾" BMI MP103-E(US) GS1	9544 365 ⁴		
602	Hex Bushing, ¾"M NPT x G ½"F Brass Biom	9624 247 ⁸		
603	Extension, ¾" x 2 ¼" Brass	9549 931 ⁶		
604	Sensor Well, ½" x 280mm Ø = 17 k	7428 853 ⁴⁰		
605	Heat Conductive Paste, 4g	9638 021 ³		
700	Air Vent w Shut-off Base 3/8"	9542 941 ⁸		
701	Hex Bushing, ½" x 3/8" BMI	9543 284 ³		
800	Tech Lit Set Pyrotec KPT	7429 934 ^L		
801	Parts List Inst.Fittings Pyrotec KPT	5443 137 ^L		
803	Install. Instr. Labels KPT	5443 112 ^L		

Notes:
 "n.a." indicates not applicable.
 "W" indicates wearing part (service).
 "L" indicates literature (no charge).
 "Kit" or "Other" indicates that this is not a Price Category item; c

PYROT and PYROTEC Biomass Boilers

PYROT and PYROTEC Biomass Boilers	Pyrot KRT	Pyrotec KPT	
General Info	Price List Section:	10 & 11	
	Parts Catalog Section	30	
	Series Name:	(01/2009 - present)	
	Applies to serials nos. beginning with:		
	Accurate as of:	07/01/2012	

Parts List

Please refer to: Parts List
Pos. Description

Part Numbers / Price Categories

	Electronic parts			
010	Circuit Board, Isolation Valve	7161 525 ²¹	7161 525 ²¹	
012	Infrared Amplifier, 24V	7417 655 ³⁶	7417 655 ³⁶	
050	Programming Unit, BMK (ECOTRONIC)	7161 567 ⁸⁹		
052	Boiler Control KSK1.3D (Pyrot)	7393 633 ⁸³		
054	Battery 3,0V 265mAh CR2330	9619 546 ⁸		
056	Circuit Board (Pyrot Exp) ZPK1.1	9622 452 ⁴⁵		
058	Transformer, 230V NTK2C	7164 066 ²⁸		
060	Control Module RMK1.1A	9622 435 ⁷⁸		
062	Terminal DSUB9	9619 341 ¹³		
064	Circuit Board, Isolation Valve MA04B	7161 525 ²¹		
100	Data Cable w Plug, 10m (standard)		7387 587 ^{Other}	
102	Relay (Siemens) 10A, 3Ph		9622 304 ⁴³	
104	Backwall BUS (Lenze) 8-ch		9622 428 ²²	
106	Backwall BUS (Lenze) 4-ch		7393 711 ¹⁷	
108	Modular I/O System (Lenze)		9622 417 ⁵³	
110	Input Module, dig (Lenze) 8x		9622 163 ³⁵	
112	Output Module, dig (Lenze) 8x		9622 162 ³⁶	
114	Input Module, anal (Lenze) 4x		9622 152 ⁶¹	
116	Input Module, anal (Lenze) 4x		9622 153 ⁵¹	
118	Plug BUS (Lenze)		9622 222 ²⁵	
120	Terminal 11-Pole		9623 245 ¹¹	
122	Touchpanel (Lenze) EL108 TFT 8"		9634 724 ¹³²	
124	Current Protection Relay PIA 01cb235a		9623 481 ³⁰	
126	Infrared Amplifier, PA 11 A 300		9623 320 ³²	
128	Output Module, anlg (Lenze)4x EPM-T320		9622 151 ⁶¹	
130	Plug CAN-BUS EPM-T950		7393 819 ³¹	
150	Sensor, Strap-on QAD 21/201	9622 105 ¹⁷	9622 105 ¹⁷	
152	Sensor #2 (supply,strap-on) w 5.8m cable	7183 288 ¹⁹	7183 288 ¹⁹	
154	Sensor (infrared transmitter)	9619 338 ²⁵		
156	Sensor (infrared receiver)	9619 339 ²⁶		
158	Sensor w Cable (storage tank), KTY	7378 499 ¹¹		
160	Sensor w Cable (st. tnk), KTY B28.2 CE	7378 500 ¹¹		
162	Sensor w Cable (st. tnk), KTY B28.3 CE	9622 515 ¹¹		
164	Sensor (boiler supply), KTY B20	7164 158 ¹¹		
166	Sensor w Cable (boiler return), B20.1	9622 373 ¹¹		
168	Sensor (temperature), PT100 6x100-PS3	9623 356 ²³		
170	Sensor Cable w Counter Plug, 10m	7388 344 ¹⁵		
172	Sensor (flue gas), PT100 1800mm	9623 353 ³⁶		
174	Sensor, Flue Gas PT1000 1800mm B1		9622 168 ³²	
176	Sensor w Cable, PT1000 Ø = 6 L = 2000		9622 420 ¹⁹	
178	Sensor (infrared transmitter)		9623 319 ²⁰	
180	Sensor (infrared receiver)		9623 318 ²⁶	

PYROT and PYROTEC Biomass Boilers

PYROT and PYROTEC Biomass Boilers	Pyrot KRT	Pyrotec KPT	
--	----------------------	------------------------	--

General Info	Price List Section:	10 & 11	
	Parts Catalog Section	30	
	Series Name:		(01/2009 - present)
	Applies to serials nos. beginning with:		
	Accurate as of:	07/01/2012	

Parts List

Please refer to: Parts List
Pos. Description

Part Numbers / Price Categories

182	Sensor (infrared amplifier)		7417 655 ³⁶		
200	VFD (Lenze) 4.00kW 3x230V-50Hz		9634 519 ⁹⁵		
202	VFD (Lenze) 2.2kW 3x230V-50Hz	9634 517 ⁷⁸	9634 517 ⁷⁸		
204	VFD (Lenze) 0.75kW 1x230V-50Hz	9619 353 ⁵²	9619 353 ⁵²		
206	VFD (Lenze) 0.55kW 1x230V-50Hz	9619 355 ⁵⁶	9619 355 ⁵⁶		
208	VFD (Lenze) 1.5kW 1x230V-50Hz	9619 361 ⁶⁰	9619 361 ⁶⁰		
210	VFD (Lenze) 2.2kW 400/1/50	9619 354 ⁷³	9619 354 ⁷³		
212	VFD (Lenze) 400V 4,0kW	9619 362 ⁸³	9619 362 ⁸³		
214	VFD (Lenze) 3kW 400/1/50	9619 360 ⁹⁵	9619 360 ⁹⁵		
216	VFD Function Module (Lenze)	9619 357 ²⁵	9619 357 ²⁵		
218	VFD I/O Function Module (Lenze)	9622 313 ⁴⁷	9622 313 ⁴⁷		
220	VFD Function Module (Lenze)	9619 357 ²⁵	9619 357 ²⁵		
222	Wall Mount Base, VFD Func.Mod.	9619 439 ²³	9619 439 ²³		
224	Handheld (Lenze)	5717 450 ²⁰	5717 450 ²⁰		
226	Connection Cable f Prog.Unit	5717 726 ²²	5717 726 ²²		
228	VFD Programming Unit (Lenze)	7161 569 ²⁷	7161 569 ²⁷		
230	Motorstarter "Starttec" 4.0kW	9619 402 ⁵⁷			
232	Motorstarter "Starttec" E71MM402-2A020	9619 404 ⁶¹			
234	Softstarter Asynchronousmotor ATSU 01	5717 902 ⁶⁵			
250	Sensor #1 (Outdoor)	7820 148 ¹⁹	7820 148 ¹⁹		
252	Sensor, Outdoor Temperature QAC2012	9622 454 ²⁰	9622 454 ²⁰		
254	Sensor (outside), QAC 31	9623 005 ¹⁵	9623 005 ¹⁵		
258	Sensor, Lambda LSM 11	7428 341 ⁴³	7428 341 ⁴³		
260	Sensor, Lambda Transducer LSU1.1	9622 382 ²⁹	9622 382 ²⁹		
262	Sensor/Transducer Assly, Lambda LSU1.1	7428 342 ⁵¹	7428 342 ⁵¹		
300	Thermometer Bimetal C/F, 5" 0-250°F	9544 333 ²⁵	9544 333 ²⁵		
302	Thermocouple 0-1200°C		9622 536 ^{n.a.}		
304	Differential Press. Transducer		9622 238 ⁴⁵		
306	Differential Press. Transducer		9622 239 ⁶²		
308	Pressure Scanner KPT		7378 027 ⁴⁹		
Mechanical parts					
350	Fixed High Limit, 710VS-1535	7478 797 ²⁵	7478 797 ²⁵		
352	Fixed High Limit, 230°F/110°C	9623 470 ¹⁶	9623 470 ¹⁶		
354	Fixed High Limit, 212°F/100°C	7393 373 ²¹	7393 373 ²¹		
356	Fixed High Limit, 248°F/120°C	7393 229 ²⁰	7393 229 ²⁰		
358	Fixed High Limit Assly, 230°F/110°C	7424 553 ³⁵	7424 553 ³⁵		
360	Fixed High Limit, RAK-ST.1430S		9622 087 ²⁸		
400	Gasket GF 10 x 3mm (in M)	9622 039 ⁴	9622 039 ⁴		
402	Gasket GF 20 x 3mm (in M)	9622 040 ⁵	9622 040 ⁵		
404	Gasket, D = 15mm soft (in M)	9622 042 ⁵	9622 042 ⁵		

PYROT and PYROTEC Biomass Boilers

PYROT and PYROTEC Biomass Boilers	Pyrot KRT	Pyrotec KPT	
General Info	Price List Section:	10 & 11	
	Parts Catalog Section	30	
	Series Name:		(01/2009 - present)
	Applies to serials nos. beginning with:		
	Accurate as of:	07/01/2012	

Parts List

Please refer to: Parts List
Pos. Description

Part Numbers / Price Categories

	Description			
406	Gasket GF 20 x 20mm (in M)	9622 044 ⁸	9622 044 ⁸	
408	Gasket GF 30 x 30mm (in M)	9045 107 ¹⁹	9045 107 ¹⁹	
410	Silicon Profile 27x9mm (in M)	9622 079 ¹⁴	9622 079 ¹⁴	
412	Ceramic Packing 27x27mm, 1100°C (in M)	9623 268 ¹⁶	9623 268 ¹⁶	
414	Silicon Profile 8,5/3,5mm (in M)	9631 194 ^D	9631 194 ^D	
416	Packing Gasket, D = 15mm L = 3000mm soft	5553 218 ¹⁴	5553 218 ¹⁴	
418	Silicon Profile 27x9mm (in M)	9622 079 ¹⁴	9622 079 ¹⁴	
420	Silicon Profile 20x20mm (in M)	7393 409 ^D	7393 409 ^D	
422	Straight Pipe Connector	9623 242 ¹⁰	9623 242 ¹⁰	
450	Wire brush M10 x 165mm (reinforced)	9623 113 ¹⁶	9623 113 ¹⁶	
452	Wire Brush 41mm/0.35	9622 236 ¹²	9622 236 ¹²	
454	Wire Brush 52mm/0.35	9622 011 ¹²	9622 011 ¹²	
456	Scraper for burner trough; L = 1300mm	7378 068 ¹⁹	7378 068 ¹⁹	
458	Scraper (Socket, front)	7387 327 ¹⁶	7387 327 ¹⁶	
460	Scraper 3 (Socket, front)	7387 350 ²⁰	7387 350 ²⁰	
462	Spring steel rod 2000/M10 w/ hand cord	7299 380 ²¹	7299 380 ²¹	
464	Scraper (Flame Tube), L = 2800mm	7387 181 ²³	7387 181 ²³	
466	Cleaning Brush Handle (flex) 2500/M10	9623 152 ²²	9623 152 ²²	
468	Scraper for burner chamber, KPT950/1250	7378 692 ²⁵	7378 692 ²⁵	
470	Scraper, L = 1800mm	5713 150 ¹⁸	5713 150 ¹⁸	
472	Spring steel rod 2000/M10 w/ hand cord	7387 586 ²¹	7387 586 ²¹	
500	Water valve AVTA 15; 1/2"; 50-90 Gr.	9622 096 ⁴⁷	9622 096 ⁴⁷	
502	Power Pulse Valve (ASCO) 230/1/50	9622 375 ³²	9622 375 ³²	
504	Plug CM22 w 2m cable 0.75mm	9622 528 ⁷	9622 528 ⁷	
506	Fixed High Limit Assly, 230°F/110°C	7424 553 ³⁵	7424 553 ³⁵	
508	Safety Flush Valve, Thermal 50-120°C	7387 406 ^{Other}	7387 406 ^{Other}	
510	Safety Flush Valve, Thermal 100°C	7387 405 ^{Other}	7387 405 ^{Other}	
512	Safety Flush Valve, Thermal 100°C	9622 456 ⁴¹	9622 456 ⁴¹	
514	Solenoid Valve (angle), 1 1/2" 24VDC ASCO	9619 524 ⁴⁰	9619 524 ⁴⁰	
516	Ball Valve, BBL 12-L	9623 219 ¹⁹	9623 219 ¹⁹	
518	Straight Pipe Connector	9623 242 ¹⁰	9623 242 ¹⁰	
550	Safety limit switch SKI-A2Z M3	9622 527 ²³	9622 527 ²³	
552	Key Switch Tousek	9622 516 ⁴³	9622 516 ⁴³	
554	Bracket (Spring-loaded) SK-BET.MF	9622 180 ¹⁵	9622 180 ¹⁵	
556	Proximity switch KIB-M30PS/010-KL2V		9622 068 ²³	
560	Slide Gate Motor AF24S, 24V	9606 820 ⁴¹	9606 820 ⁴¹	
562	Ball-and-socket joint KG 10A for slide	9623 291 ¹¹	9623 291 ¹¹	
564	Damper motor AFR 230-S	9619 525 ⁴¹	9619 525 ⁴¹	
566	Air Vent (small) with motor	7387 049 ³²		
568	Air Vent (large) with motor	7387 050 ³³		

PYROT and PYROTEC Biomass Boilers

PYROT and PYROTEC Biomass Boilers	Pyrot KRT	Pyrotec KPT	
General Info	Price List Section:	10 & 11	
	Parts Catalog Section	30	
	Series Name:		(01/2009 - present)
	Applies to serials nos. beginning with:		
	Accurate as of:	07/01/2012	

Parts List

Please refer to: Parts List
Pos. Description

Part Numbers / Price Categories

570	Flue Damper Motor SM24A, 24V		7388 473 ³⁵	
572	Step Motor, STP-42D213-04		9622 513 ²³	
600	Ignition blower 1,4 kW, 230 V KRT-ZG	7379 790 ⁶⁰	7379 790 ⁶⁰	
602	Ignitor (Firebox) 230V/1400W	9619 526 ⁴⁶	9619 526 ⁴⁶	
606	Auger Drive, 0,75kW 14U 208/3/60	9619 533 ⁹⁵	9619 533 ⁹⁵	
608	Auger Drive, 0,37kW 8U 208/3/60	9619 532 ⁸³	9619 532 ⁸³	
610	Vibration Motor BM 65/3 208/3/60	9640 016 ⁶¹	9640 016 ⁶¹	
612	Motor, ID fan Pyrot 300 (1)	9622 552 ⁷²		
614	Motor, ID fan Pyrot 150 (1)	9622 547 ⁷²		
616	Motor, ID fan Pyrot 150/220 (6)	9619 516 ⁷⁴		
618	Motor, ID fan Pyrot 400/540 (3)	9622 548 ⁷⁹		
620	Motor, ID fan Pyrot 300 (5)	9619 517 ⁷⁷		
622	Motor, ID fan Pyrot 400/540 (7)	9619 518 ⁸³		
624	Motor Drive, GST06-2MVCR/25/0,75/50Hz	9623 188 ⁷⁰		
626	Motor Drive, GST06-3MVCR/8/0,25/50Hz	9634 472 ⁷⁵		
628	Motor Drive, VF30/49 208/ /60	9619 519 ⁸¹		
630	Motor Drive, VF30/63 208/3/60	9619 520 ⁸⁸		
632	Motor Drive, 3/8-35/0,22-0,90/T polum k	9623 194 ⁹⁵		
634	Motor Drive, GST06-3MVCR/8/0,25/60Hz	9634 516 ⁷³		
636	Motor Drive, 3/16/0,37/T 208/3/60	9634 086 ⁷⁶		
638	Motor Drive, GST06-3MVCR/8/0,25/50Hz	9634 472 ⁷⁵		
640	Motor Drive, GST06-3MVCR/11/0,37/60Hz	9634 515 ⁷⁴		
642	Rotational Blower KRT 100/150 208/3/60	7416 118 ⁷⁶		
644	Rotational Blower KRT 220/300 208/3/60	7416 117 ⁷¹		
646	Rotational Blower KRT 220/300 208/3/60	7416 116 ⁷⁴		
648	Rotation fan RTG R; KRT 220/300	7387 144 ⁹⁸		
650	Motor, ID fan Pyrotec 720 (1)	7378 399 ¹⁰⁰		
652	Motor, ID fan Pyrotec 720 (6)	9619 514 ⁹⁹		
654	Motor, ID fan Pyrotec 950 (4)	9619 515 ¹⁰¹		
656	Motor Drive, GST06-2MVCR/49/1,50/50Hz	9622 315 ⁷⁰		
658	Motor Drive, GST06-2MVCR/49/1,50/60Hz	9619 529 ⁷³		
660	Motor Drive, GST06-3MVCR/11/0,37/60Hz	9634 515 ⁷⁴		
662	Motor Drive, GST06-2MVCR/17/0,55/60Hz	9619 531 ⁸¹		
664	Motor Drive, GST07-2MVCR/43/2,20/60Hz	9636 446 ⁹³		
666	Motor Drive, VF44/86 120W belüftet	9622 035 ¹⁰²		
668	Motor Drive, VF44/86 208/3/60	9619 521 ¹⁰⁵		
670	Motor Drive, GST07-3MVCR/14/1,10/60Hz	9637 226 ⁹⁰		
672	Motor Drive, G3/36/1,10/T	9634 032 ⁷¹		
674	Auger Drive, 0,75kW 14U 208/3/60	9619 533 ⁹⁵		
676	Fan DG 30	9622 026 ⁷⁶		
678	Fan DG 20	9622 025 ⁶⁵		
680	Fan DG 38Q	9623 179 ⁹¹		
682	Fan DG 30 208/3/60	9636 444 ⁷⁹		
684	Fan DN 16	9636 443 ⁸⁴		

PYROT and PYROTEC Biomass Boilers

PYROT and PYROTEC Biomass Boilers	Pyrot KRT	Pyrotec KPT	
--	----------------------	------------------------	--

General Info	Price List Section:	10 & 11	
	Parts Catalog Section	30	
	Series Name:		(01/2009 - present)
	Applies to serials nos. beginning with:		
	Accurate as of:	07/01/2012	

Parts List

Please refer to: Parts List
Pos. Description

Part Numbers / Price Categories

686	Fan DG 38 208/3/60		9619 511 ⁹³		
688	Blower (Dietz) DG20 208/3/60		9619 510 ⁷²		
690	Blower (Dietz) DG90P 208/3/60		9636 447 ¹¹⁴		
692	Blower (Klein) DMVL 410 208/3/60		9619 512 ¹²⁸		
694	Fan DMVL 375 900m ³ 208/3/60		9619 513 ¹⁰⁹		
696	Fan DMVL 410-1-30; 1400 m ³ ; Fa. Klein		9622 508 ¹¹²		
698	Actuator TS-10 208/3/60		7427 964 ¹¹⁸		
700	Connecting Rod KPT		7378 073 ⁴²		
750	Ash Container 800L, Reserve	7387 783 ^{Other}	7387 783 ^{Other}		
752	Ash Container 240L, Reserve	7387 993 ^{Other}	7387 993 ^{Other}		
800	Touch-UP Spray Paint "Gray" RAL7016	9624 161 ¹⁵	9624 161 ¹⁵		
802	Touch-UP Spray Paint "Vitosilver"	7819 545 ⁹	7819 545 ⁹		
804	Touch-UP Spray Paint "flat Black"	9623 467 ¹⁵	9623 467 ¹⁵		
806	Touch-UP Spray Paint "Red" RAL3020	9623 465 ¹⁵			
810	Low Water Cutoff Model 550 w Man. Reset	9544 357 ³³	9544 357 ³³		
	Misc parts				
900	Connector M16 x 1,5	9622 333 ³	9622 333 ³		
902	Connector HSK-K M20x1.5	9623 255 ⁴	9623 255 ⁴		
904	Sensor Well, ½" x 280mm Ø = 17	7428 853 ⁴⁰	7428 853 ⁴⁰		
906	Sensor Well, ½" x 100mm	9583 108 ⁹	9583 108 ⁹		
908	Sensor Well, ½" x 280mm Ø = 7	7391 363 ¹²			
910	Clip for cable mount, QAZ 21.5220	9623 252 ⁷	9623 252 ⁷		
912	Sight Glass Lens, D = 30 x 3RT	9622 041 ²	9622 041 ²		
914	Hex Bushing, ¾" M NPT x G ½" F Brass Bio	9624 247 ⁸	9624 247 ⁸		
916	Roller Bearing	7378 033 ⁸⁰	7378 033 ⁸⁰		
918	Displacement rod 1400	7387 103 ^{Other}	7387 103 ^{Other}		
920	Bolt H 8109/4		5713 037 ²²		

Notes:

- "n.a." indicates not applicable.
- "W" indicates wearing part (service).
- "L" indicates literature (no charge).
- "Kit" or "Other" indicates that this is not a Price Category item; contact Inside Sales for pricing.

Viessmann North America

Canadian Contact Information
or under Sales Network at www.viessmann.ca

Canadian Head Office

**Viessmann Manufacturing
Company Inc.**
750 McMurray Road
Waterloo, ON N2V 2G5
Canada

Tel. (519) 885-6300
Fax (519) 885-0887

e-mail: info@viessmann.ca

Viessmann Sales Center

**Viessmann Manufacturing
Company Inc.**
#1, 6350 - 204th Street
Langley, BC V2Y 2V1

Tel. (604) 533-9445
Fax (604) 533-9439

e-mail: info-bc@viessmann.ca

Sales Representatives Canada

BC, YK

**Viessmann Manufacturing
Company Inc.**
#1, 6350 - 204th Street
Langley, BC V2Y 2V1

Tel. (604) 533-9445
Fax (604) 533-9439

Calgary AB, s. AB

Altatech Agencies Ltd.
6032-5th Street S.E.
Calgary, AB T2H 1L4

Tel. (403) 720-8043
Fax (403) 720-8053

Edmonton AB, n. AB, NT

Altatech Agencies Ltd.
P.O. Box 3167
Stony Plain, AB T7Z 1Y4

Tel. (780) 968-4900
Fax (780) 968-4901

SK

Dynamic Agencies (2000) Ltd.
2306 Arlington Avenue
Saskatoon, SK S7J 3L3

Tel. (306) 343-1901
Tel. (877) 343-1901
Fax (306) 343-1901

MB, n.w. ON

Dynamic Agencies (2000) Ltd.
266 River Road
Winnipeg, MB R2M 3Z6

Tel. (204) 417-4479
Fax (204) 257-8941

n. ON

**Key to the North
Sales Agency Inc.**
1275 Paquette Street
Sudbury, ON P3A 3X9

Tel. (705) 524-6714
Fax (705) 566-0148

s.w. ON

Viessmann
s.w. Ontario (Residential)
750 McMurray Road
Waterloo, ON N2V 2G5

Tel. (905) 772-1452
Fax (905) 772-1453

s.w. ON, Niagara

Viessmann
s.w. Ontario (Commercial)
750 McMurray Road
Waterloo, ON N2V 2G5

Tel. (519) 633-3949
Fax (519) 633-8036

Niagara

Viessmann
Niagara
750 McMurray Road
Waterloo, ON N2V 2G5

Tel. (905) 664-4426
Fax (905) 664-5792

central ON - Toronto

Viessmann
Toronto (Residential)
750 McMurray Road
Waterloo, ON N2V 2G5

Tel. (416) 657-4333
Fax (905) 848-8805

central ON - Toronto

Viessmann
Toronto (Commercial)
750 McMurray Road
Waterloo, ON N2V 2G5

Tel. (416) 657-4333
Fax (416) 657-4331

e. ON

DisTech Inc.
125 Stewart Blvd. Suite 205
Brockville, ON K6V 4W4

Tel. (613) 345-3955
Fax (613) 345-5910

QC

DisTech Inc.
565, rue Lanaudière, suite 4
Repentigny, QC J6A 7N1

Tel. (450) 582-4343
Fax (450) 582-5955

e. QC

DisTech Inc.
2095 Frank Carrel, Suite 215
Quebec City, QC G1N 4L8

Tel. (418) 624-8823
Fax (418) 624-9089

NB, PE

Thomas Industrial Sales Ltd.
P.O. Box 1032
Fredericton, NB E3B 5C2

Tel. (506) 453-1188
(800) 663-6919
Fax (506) 450-3925

NF, NS

Thomas Industrial Sales Ltd.
23 Head Harbour Drive
Head of St. Margaret's Bay
NS B3Z 2H2

Tel. (902) 826-7962
(800) 663-6919
Fax (902) 826-7089

Viessmann North America

United States Contact Information
or under Sales Network at www.viessmann.us

Sales Representatives U.S.

AK

Roth-Sirianni, LLC
8040 King Street
Anchorage, AK 99518
Tel. (907) 522-6699
Fax (907) 344-2560

n.w. NV, AZ

Great Basin Multi Systems Inc.
4790 Caughlin Parkway, #168
Reno, NV 89509-0907
Tel. (775) 843-7457
Fax (775) 827-5248

OR, s. CA (residential), WA, n. ID

PSI Heating Company
6444 E. Mercer Way
Mercer Island, WA 98040
Tel. (206) 860-7970
Fax (206) 860-7990

UT, s. ID, n.w. WY, n.e. NV

Intermountain Sales and
Marketing Inc.
60 North Cutler Drive
North Salt Lake, UT 84054
Tel. (801) 936-0228
Fax (801) 936-0227

NM, CO (Durango only)

The Socha Company Inc.
3108 Alamogordo Drive NW
Albuquerque, NM 87120
Tel. (505) 839-0103
Fax (505) 839-0160

CO (excl. Durango), WY (excl. n.w. WY), MT

Shamrock Sales Inc.
4940 Fox Street
Denver, CO 80216
Tel. (303) 399-9181
Fax (303) 399-9710

TX

G.O.E.S. Sales of Texas
465 West 38th Street
P.O. Box 7637
Houston, TX 77018
Tel. (713) 699-5344
Fax (713) 699-0915

MN, ND, SD

Mulcahy Company
2700 Blue Water Road, #100
Eagan, MN 55121
Tel. (651) 686-8580
Fax (651) 686-8588

IL

Metropolitan Industries Inc.
37 Forestwood Drive
Romeoville, IL 60446
Tel. (815) 886-8580
Fax (815) 886-6932

IN

Keller-Rivest Inc.
6935 Brookville Road
Indianapolis, IN 46239
Tel. (317) 359-9000
Fax (317) 359-9002

MI (residential)

Sales Service Plus Inc.
45606 Mast Street
Plymouth, MI 48170
Tel. (734) 454-7620
Fax (734) 454-7632

MI (commercial)

Dale Prentice Company
26511 Harding Avenue
Oak Park, MI 48237
Tel. (248) 399-5500
Fax (248) 399-5559

OH, w. PA

C.P.I. Marketing
2625 Willow Glen Road
Hillard, OH 43026-9556
Tel. (614) 777-1626
Fax (614) 777-4616

FL, GA

Carr Company
6000 Park of Commerce Blvd.,
Ste E
Boca Raton, FL 33487
Tel. (561) 997-0999
Fax (561) 997-2633

MD, VA, W VA, DE, DC

Joyce Agency
8442 Alban Road
Springfield, VA 22150
Tel. (800) 291-9298
Fax (703) 866-2332

e. PA, s. NJ

R.D. Bitzer Co. Inc.
776 American Drive
Bensalem, PA 19020
Tel. (215) 604-6600
Fax (215) 604-6601

n. and central NJ

Wales Darby Inc. (NJ)
5 Powder Horn Drive
Warren, NJ 07059
Tel. (732) 560-1001
Fax (732) 560-0353

CT

Heat Tech Associates Inc.
PO Box 1181
176 Hayden Hill Road
Torrington, CT 06790
Tel. (860) 482-6321
Fax (860) 482-9601

NYC, Long Island, Westchester County

Wales Darby Inc. (NY)
2910 Express Drive South
Islandia, NY 11749
Tel. (631) 585-6800
Fax (631) 585-6838

w. MA, upstate NY, w. NH, VT

Paul Ross Associates Inc.
288 Verge Street
Springfield, MA 01129
Tel. (413) 543-8730
Fax (413) 543-8737

U.S. Head Office

Viessmann Manufacturing
Company (U.S.) Inc.
45 Access Road
Warwick, RI 02886
U.S.A.

Tel. (401) 732-0667
Fax (401) 732-0590

e-mail: info@viessmann-us.com

ME, e. NH

Viessmann
45 Access Road
Warwick, RI 02886
Tel. (203) 532-8500
Fax (401) 732-0590

n. MA

Viessmann
45 Access Road
Warwick, RI 02886
Tel. (603) 412-2250
Fax (603) 244-2742

e. MA, RI

Viessmann
45 Access Road
Warwick, RI 02886
Tel. (508) 958-7163
Fax (508) 994-9767

IA, KS, MO, NE, TN, WI

Viessmann
45 Access Road
Warwick, RI 02886
Tel. (773) 909-1498

n. CA, s. CA commercial, s. NV

Viessmann
45 Access Road
Warwick, RI 02886
Tel. (410) 916-9444

KY, NC, SC, MS, AL, AR, HI, LA, OK

Viessmann
45 Access Road
Warwick, RI 02886
Tel. (401) 732-0667
Fax (401) 732-0590

7/2012

5811 110